



US00D434142S

United States Patent [19]
Cheney, II et al.

[11] **Patent Number: Des. 434,142**
[45] **Date of Patent: ** Nov. 21, 2000**

[54] **COMMUNICATION STATION FOR AN INFUSION PUMP**

5,582,593 12/1996 Hultman 604/65
5,871,465 2/1999 Vasko 604/65

[75] Inventors: **Paul S. Cheney, II**, Winnetka; **Silvana Martirosian**, Glendale, both of Calif.

Primary Examiner—Ian Simmons
Attorney, Agent, or Firm—MiniMed Inc.

[73] Assignee: **MiniMed Inc.**, Sylmar, Calif.

[57] **CLAIM**

[**] Term: **14 Years**

The ornamental design for a communication station for an infusion pump, as shown.

[21] Appl. No.: **29/087,251**

DESCRIPTION

[22] Filed: **Apr. 29, 1998**

FIG. 1 is a perspective view showing the top, front and left sides of a communication station for an infusion pump, embodying the new design;

[51] **LOC (7) Cl.** **24-02**

[52] **U.S. Cl.** **D24/111; D13/108; D24/180**

FIG. 2 is a perspective view showing the top, front and right sides thereof;

[58] **Field of Search** D24/111, 107, D24/177, 185, 184, 186, 187; D13/108, 107; 604/67, 65, 131, 207; 128/904, 920, DIG. 28; 320/110, 107, 113, 114, DIG. 35

FIG. 3 is a perspective view showing the top, rear and left sides thereof;

FIG. 4 is a perspective view showing the top, rear and right sides thereof;

[56] **References Cited**

U.S. PATENT DOCUMENTS

D. 328,277	7/1992	Leman et al.	D13/108
D. 408,783	4/1999	Lucaci et al.	D13/107
4,270,532	6/1981	Franetzki et al. .	
5,225,763	7/1993	Krohn et al.	320/110
5,311,449	5/1994	Adams	364/514
5,376,070	12/1994	Purvis et al. .	

FIG. 5 is a top plan view thereof;

FIG. 6 is a bottom plan view thereof;

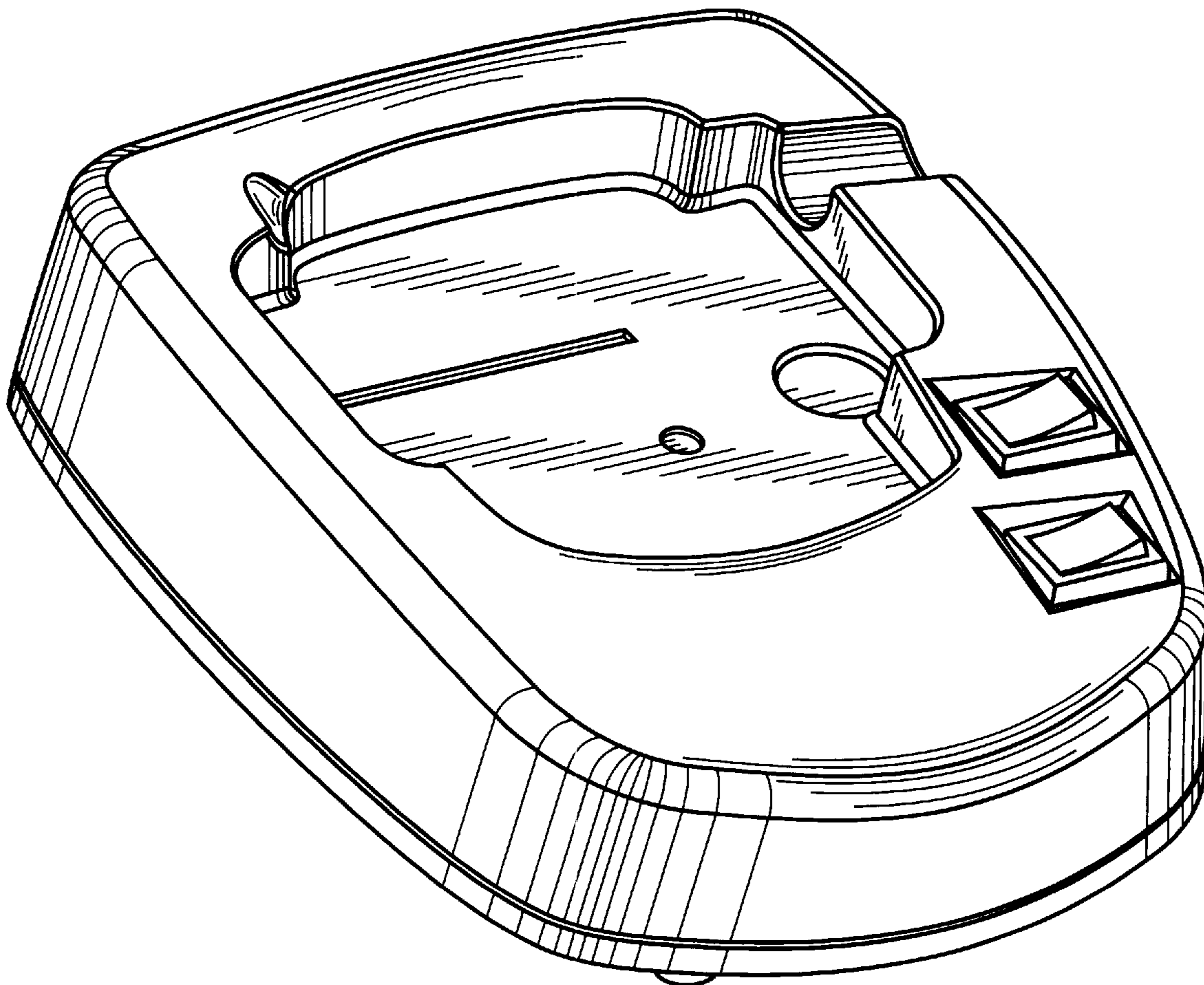
FIG. 7 is a left side elevational view thereof;

FIG. 8 is a right side elevational view thereof;

FIG. 9 is a front elevational view thereof; and,

FIG. 10 is a rear elevational view thereof.

1 Claim, 10 Drawing Sheets



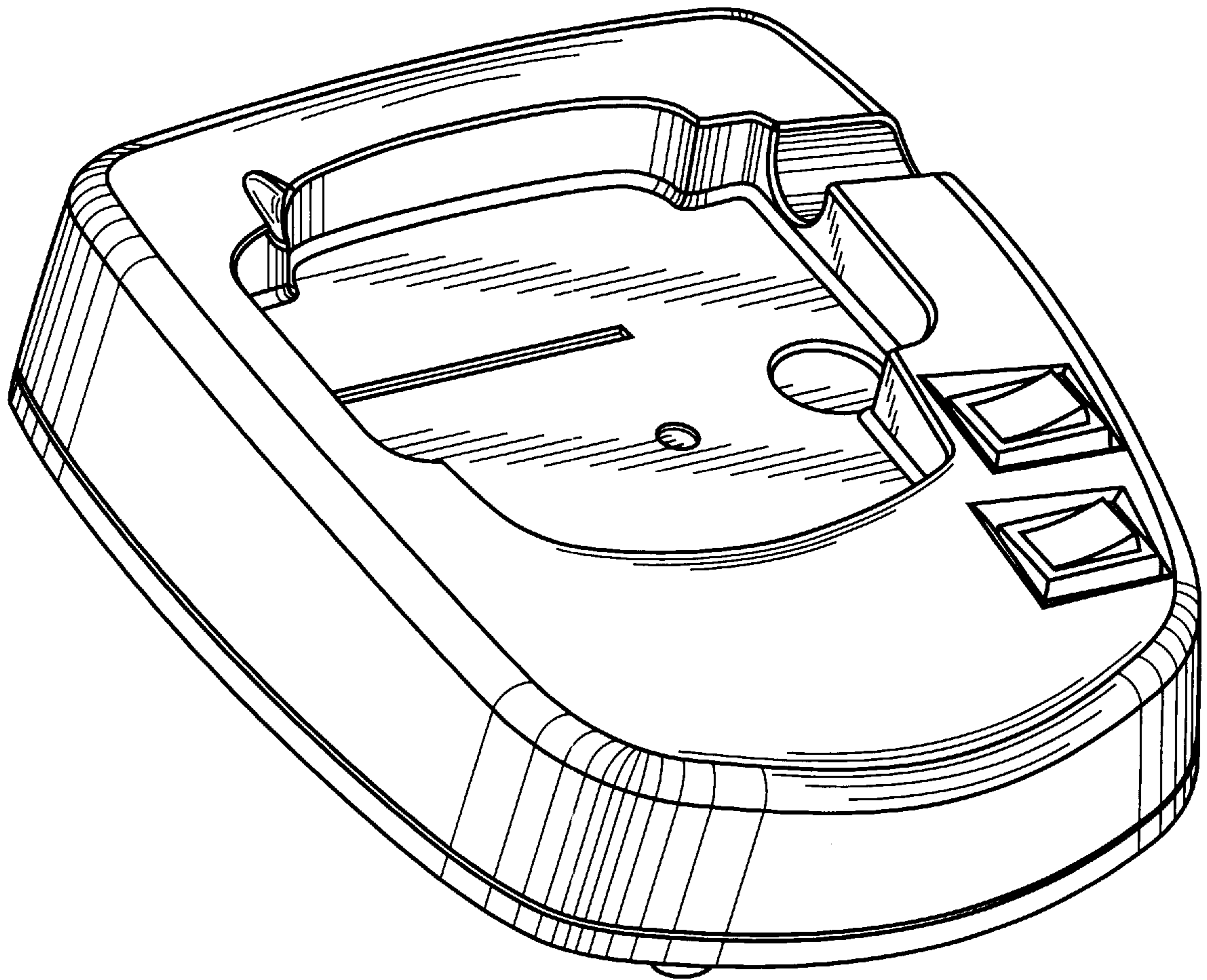


FIG. 1

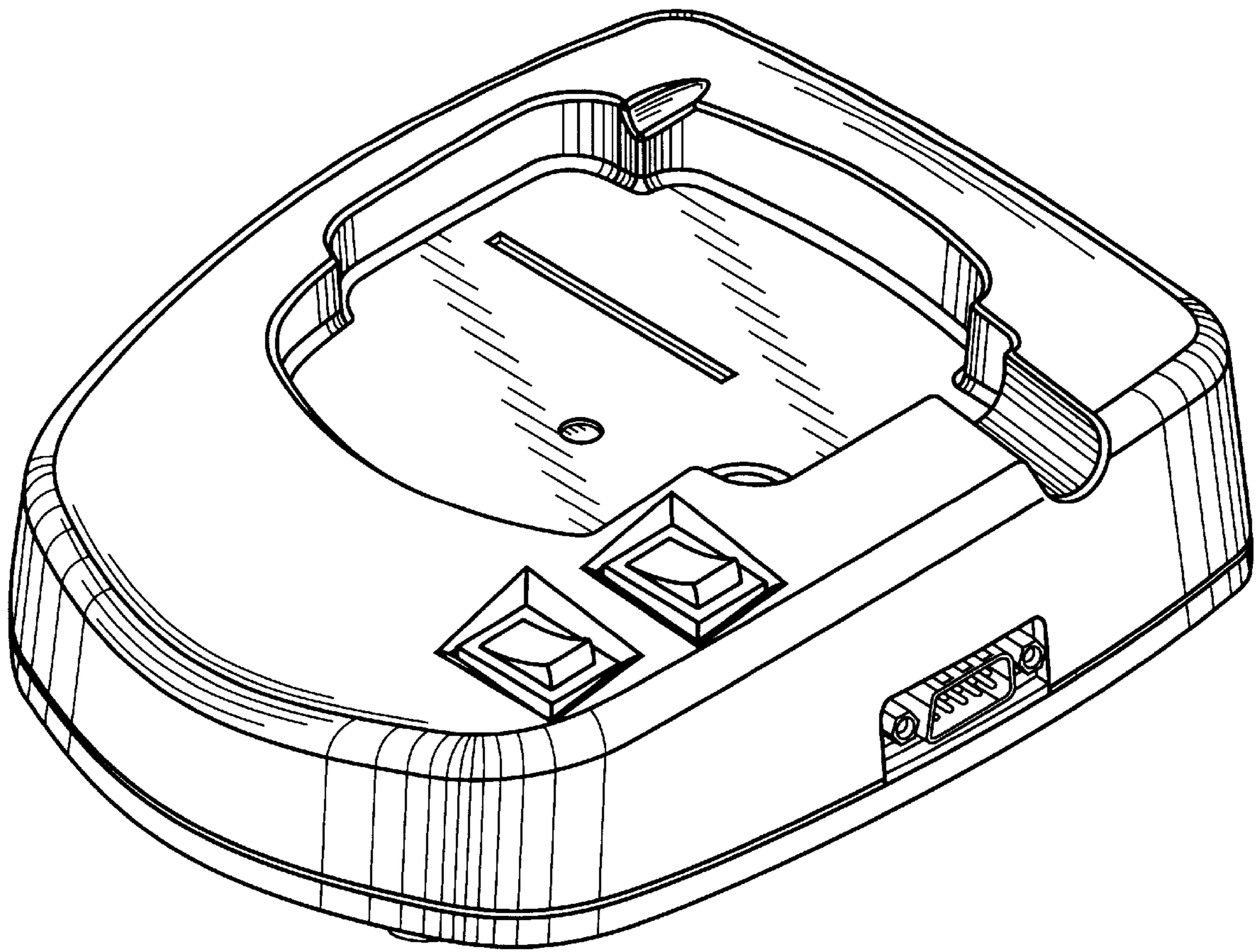


FIG. 2

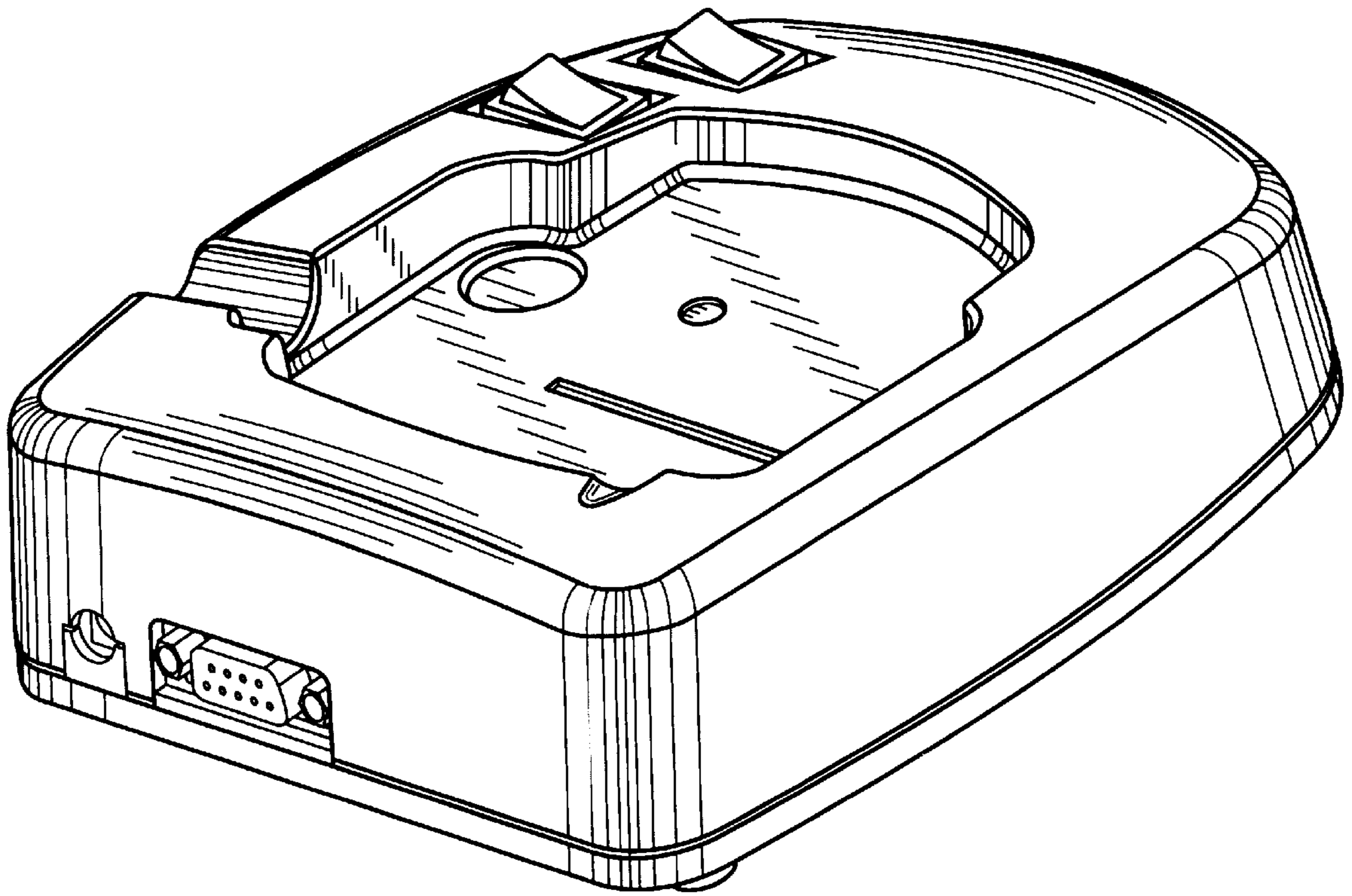


FIG. 3

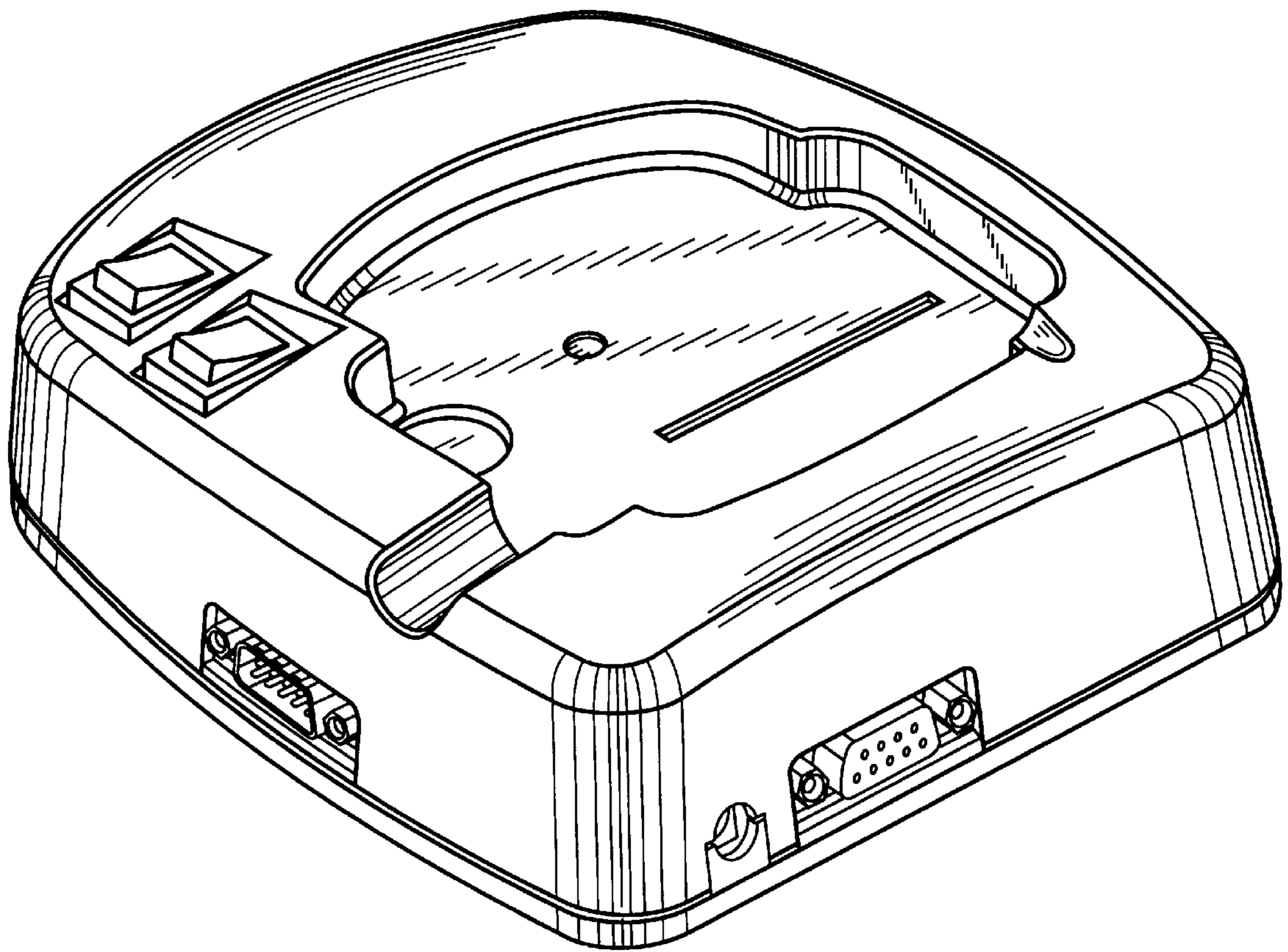


FIG. 4

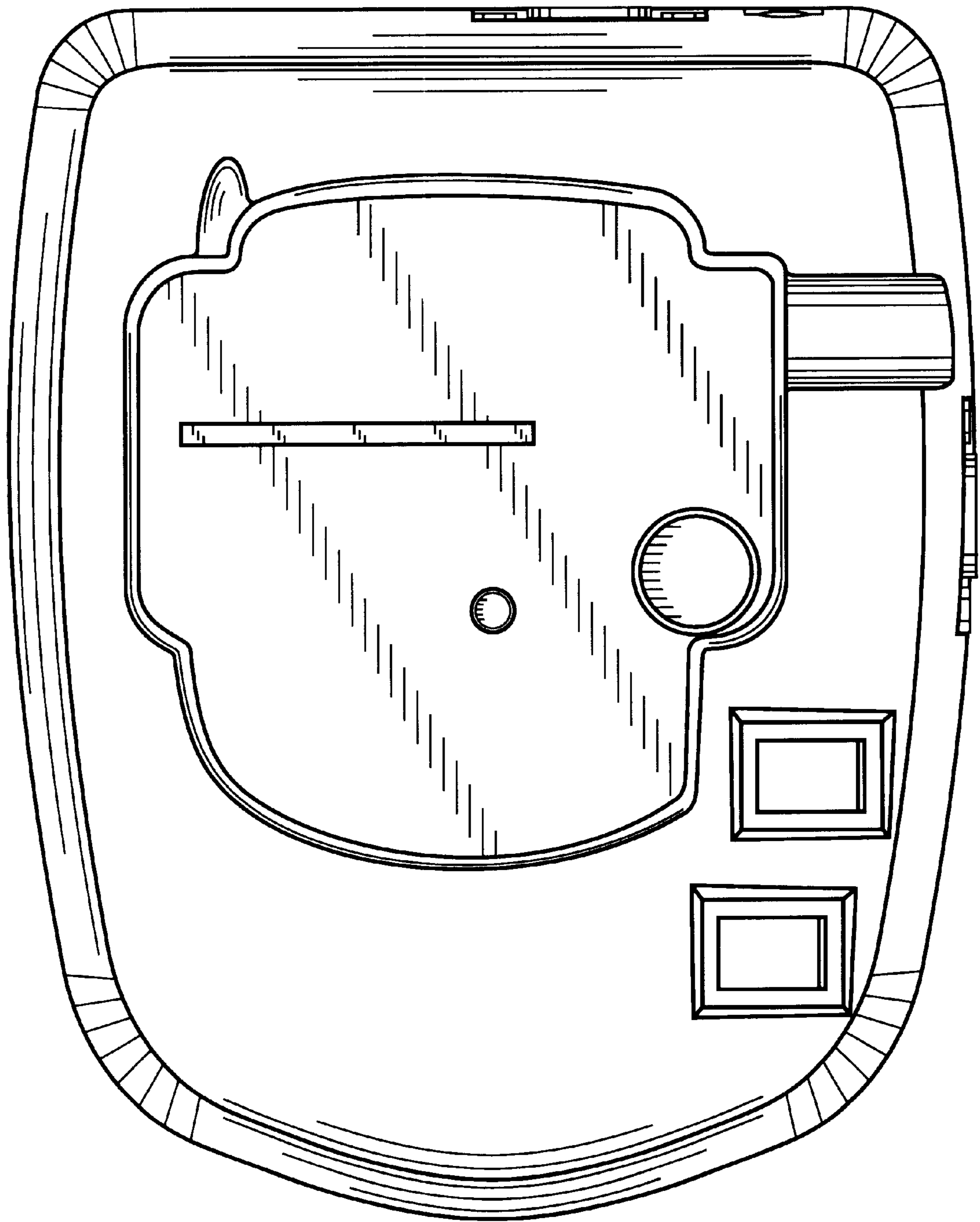


FIG. 5

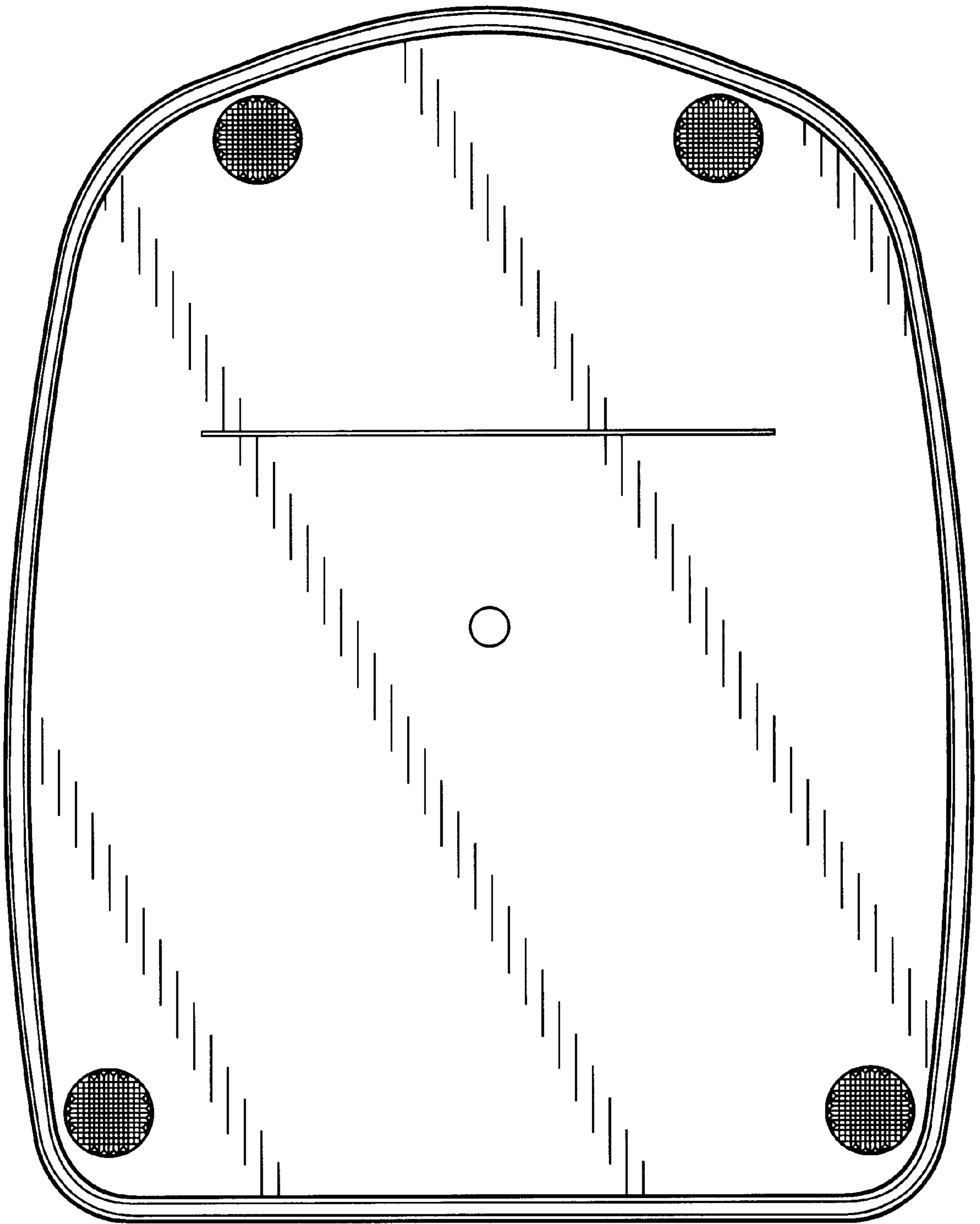


FIG. 6

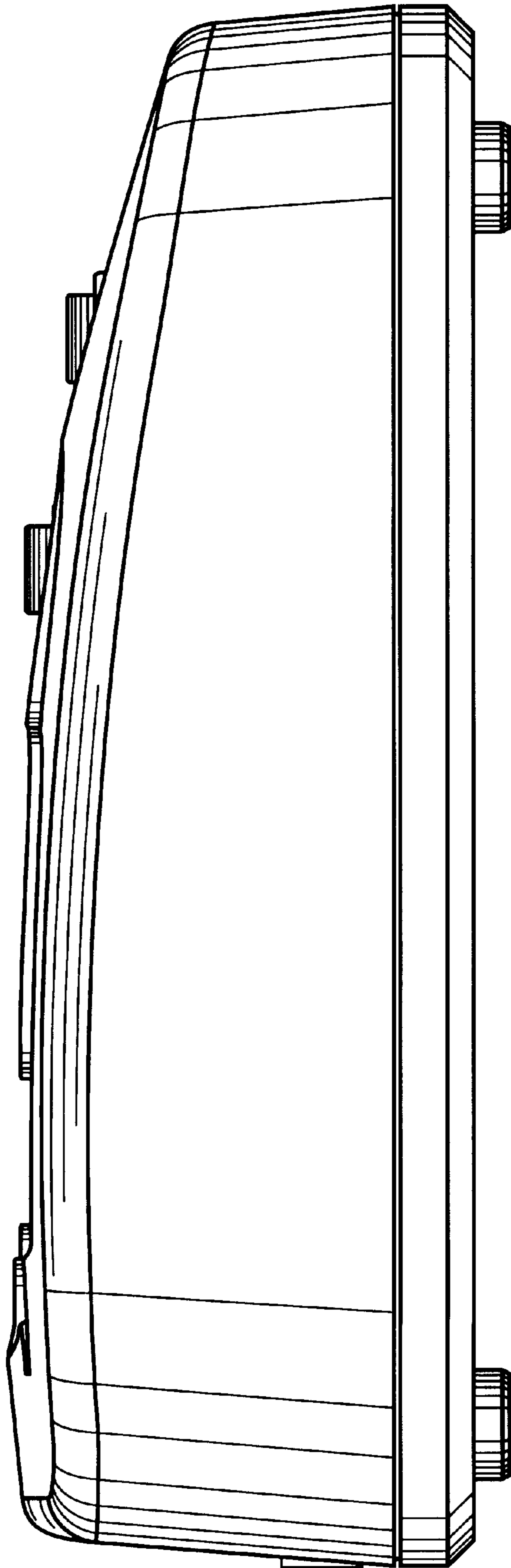


FIG. 7

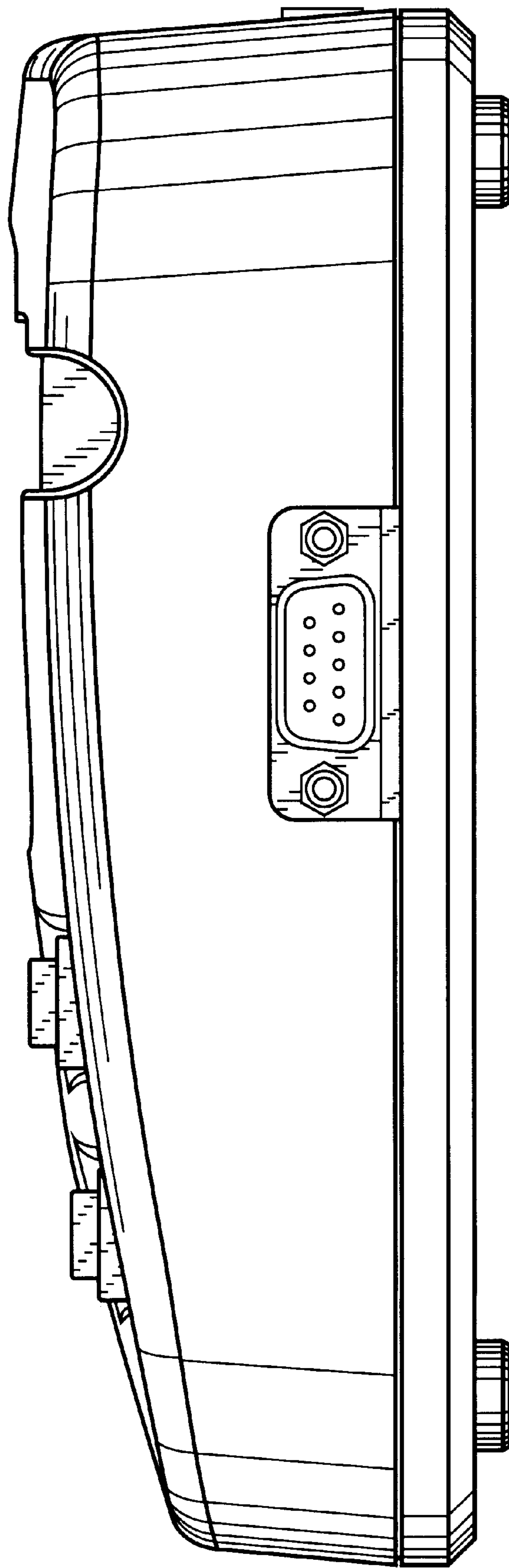


FIG. 8

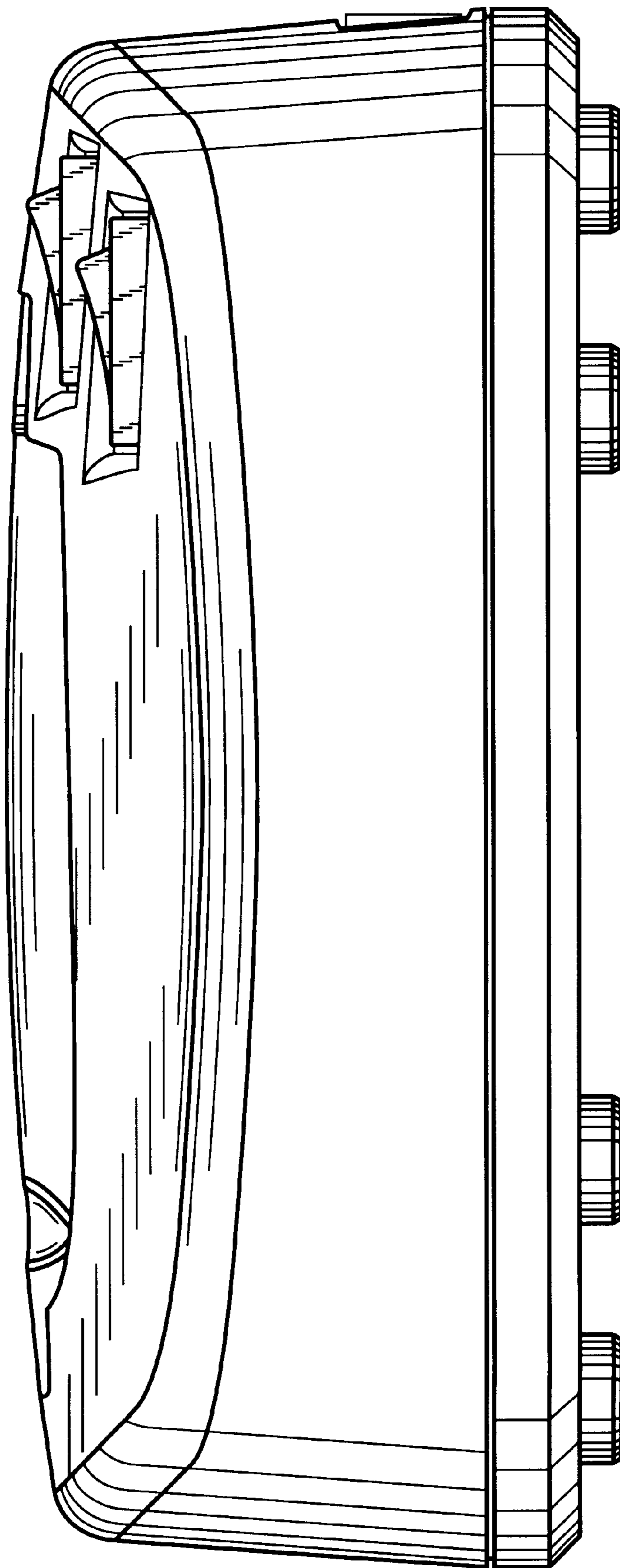


FIG. 9

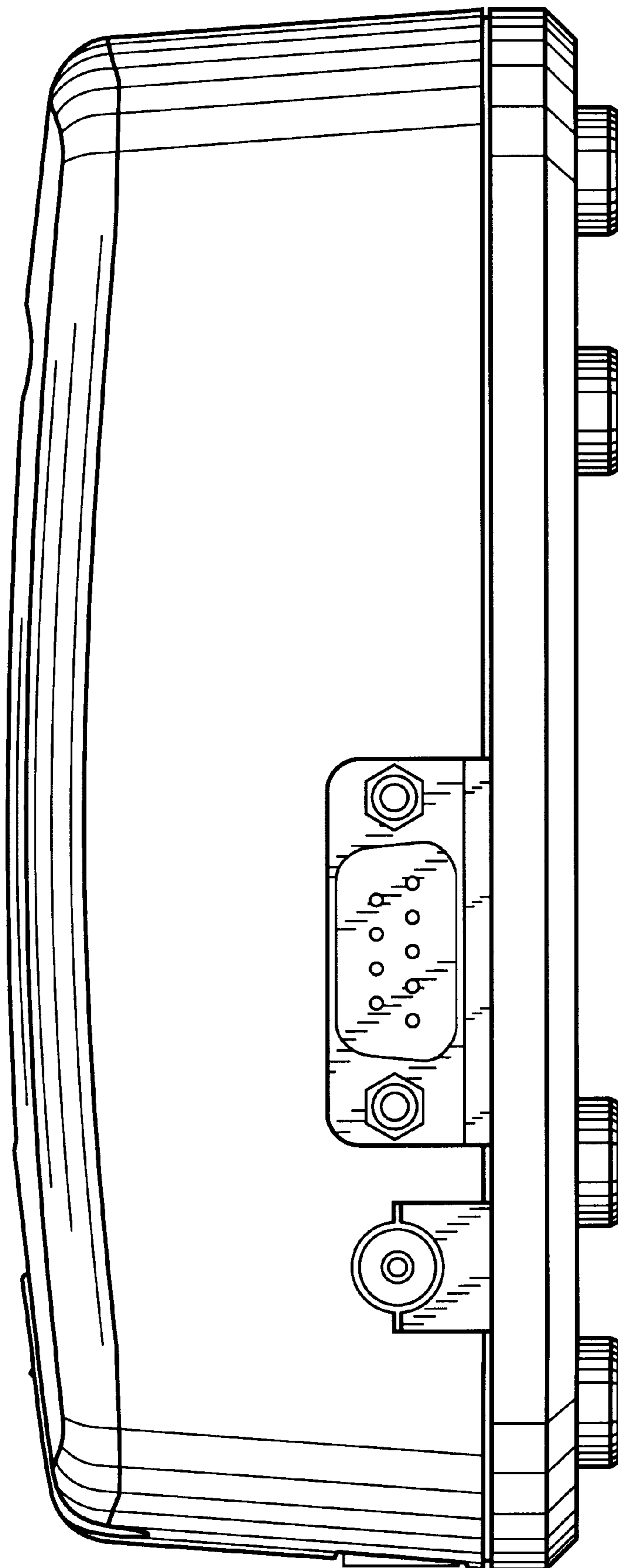


FIG. 10