



US00D434139S

United States Patent [19]
Foslien

[11] **Patent Number: Des. 434,139**
[45] **Date of Patent: ** Nov. 21, 2000**

[54] **EARPLUG**
[75] **Inventor: Floyd L. Foslien, Hudson, Wis.**
[73] **Assignee: 3M Innovative Properties Company, St. Paul, Minn.**
[**] **Term: 14 Years**
[21] **Appl. No.: 29/110,962**
[22] **Filed: Sep. 17, 1999**
[51] **LOC (7) Cl. 24-04**
[52] **U.S. Cl. D24/106**
[58] **Field of Search D24/106; 181/135, 181/130; 128/864, 867, 866, 865**

4,034,749 7/1977 Von Kesseru et al. .
4,219,018 8/1980 Draper .
4,314,553 2/1982 Westerdal .
4,353,364 10/1982 Woods .
4,540,063 9/1985 Ochi et al. .
4,867,149 9/1989 Falco 128/864
4,936,411 6/1990 Leonard .
5,249,309 10/1993 Berg .
5,727,566 3/1998 Leight .
5,819,745 10/1998 Mobley et al. 128/864
5,957,136 9/1999 Magidson et al. 128/864
6,021,526 2/2000 Falco et al. 128/866
6,056,082 5/2000 Lindgren et al. 181/130

[56] **References Cited**
U.S. PATENT DOCUMENTS
Re. 28,560 9/1975 Fling .
D. 195,322 5/1963 Hill D24/106
D. 239,416 3/1976 Visor D24/106
D. 253,723 12/1979 Leight .
D. 298,356 11/1988 Falco D24/106
2,246,737 6/1941 Knudsen .
2,393,005 1/1946 Veneklasen .
2,427,664 9/1947 Dunbar et al. .
2,487,038 11/1949 Baum .
2,538,339 1/1951 Thomas .
2,619,960 12/1952 Reynolds .
2,670,738 3/1954 Gibbons .
3,097,643 7/1963 Santi .
3,259,128 7/1966 Leight .
3,415,246 12/1968 Hill .
3,800,791 4/1974 Visor .

FOREIGN PATENT DOCUMENTS

578485 6/1959 Canada .
0 244 979 B1 9/1990 European Pat. Off. .

Primary Examiner—Ian Simmons
Attorney, Agent, or Firm—Karl G. Hanson

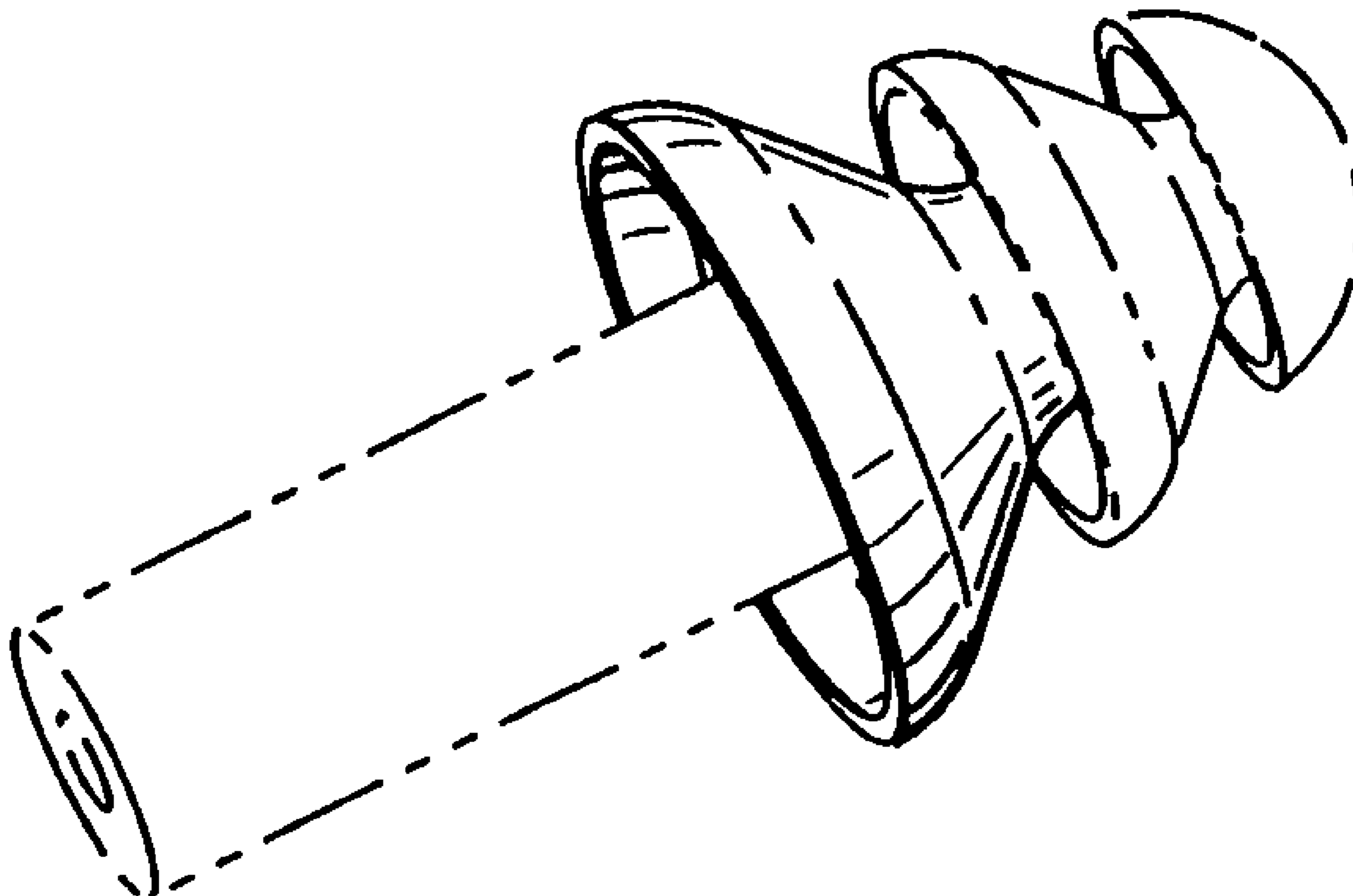
[57] **CLAIM**

The ornamental design for an earplug, as shown and described.

DESCRIPTION

FIG. 1 illustrates an isometric view of the design for the earplug.
FIG. 2 illustrates a side view thereof, all other side views displaying the same image thereof.
FIG. 3 illustrates a bottom view thereof; and,
FIG. 4 illustrates a top view thereof.
The broken lines shown in the drawing are only provided to illustrate the environment of the design.

1 Claim, 1 Drawing Sheet



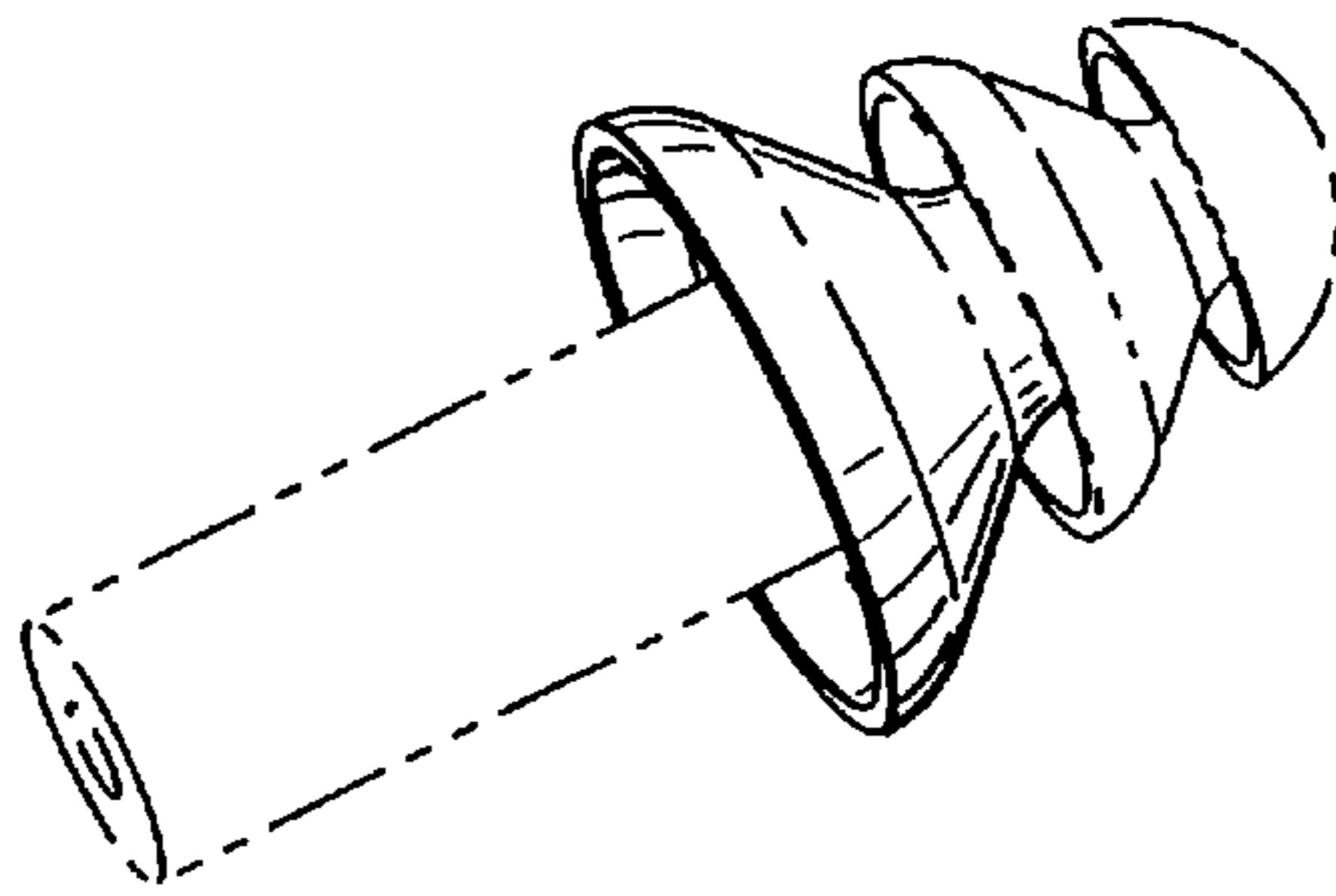


Fig. 1

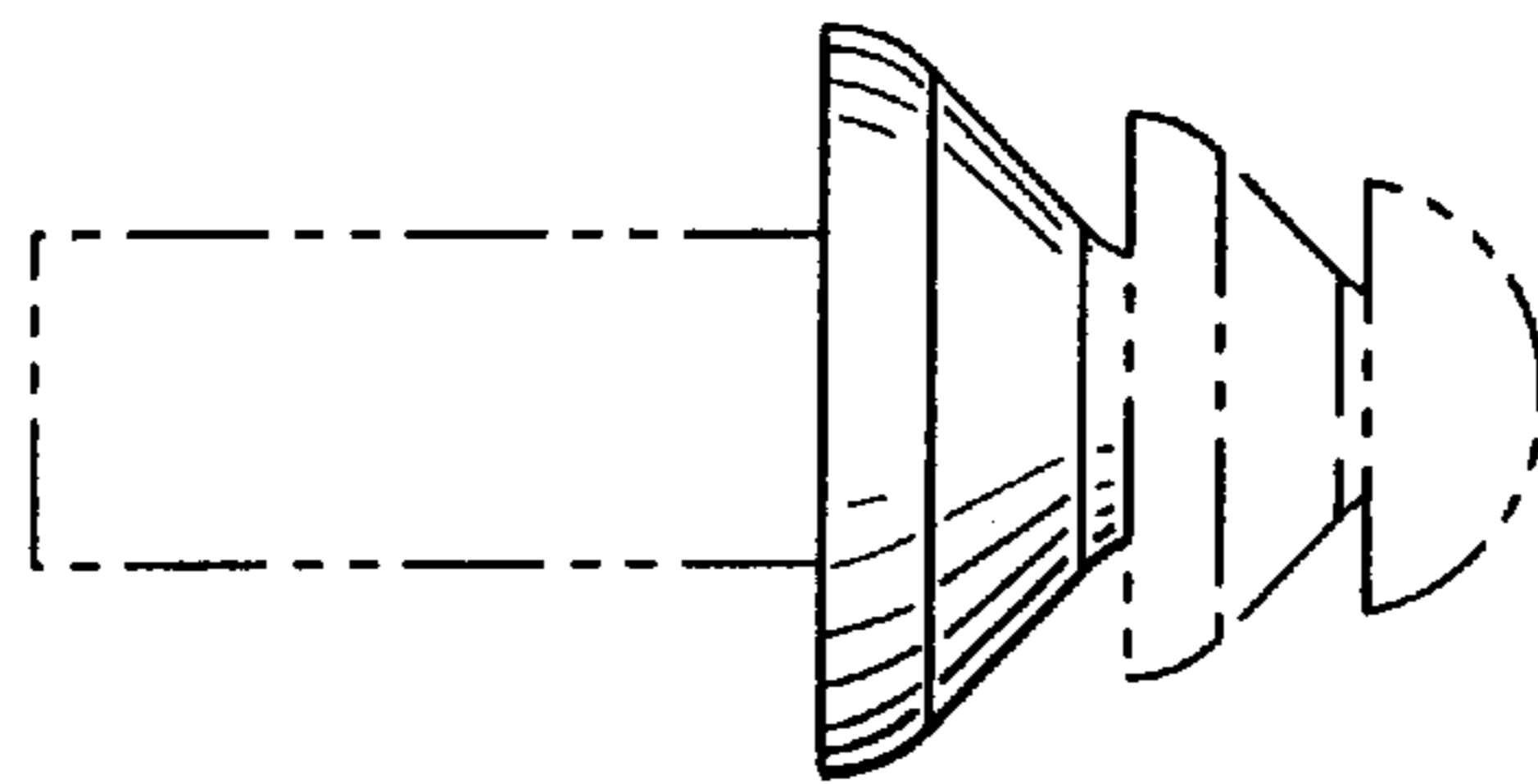


Fig. 2

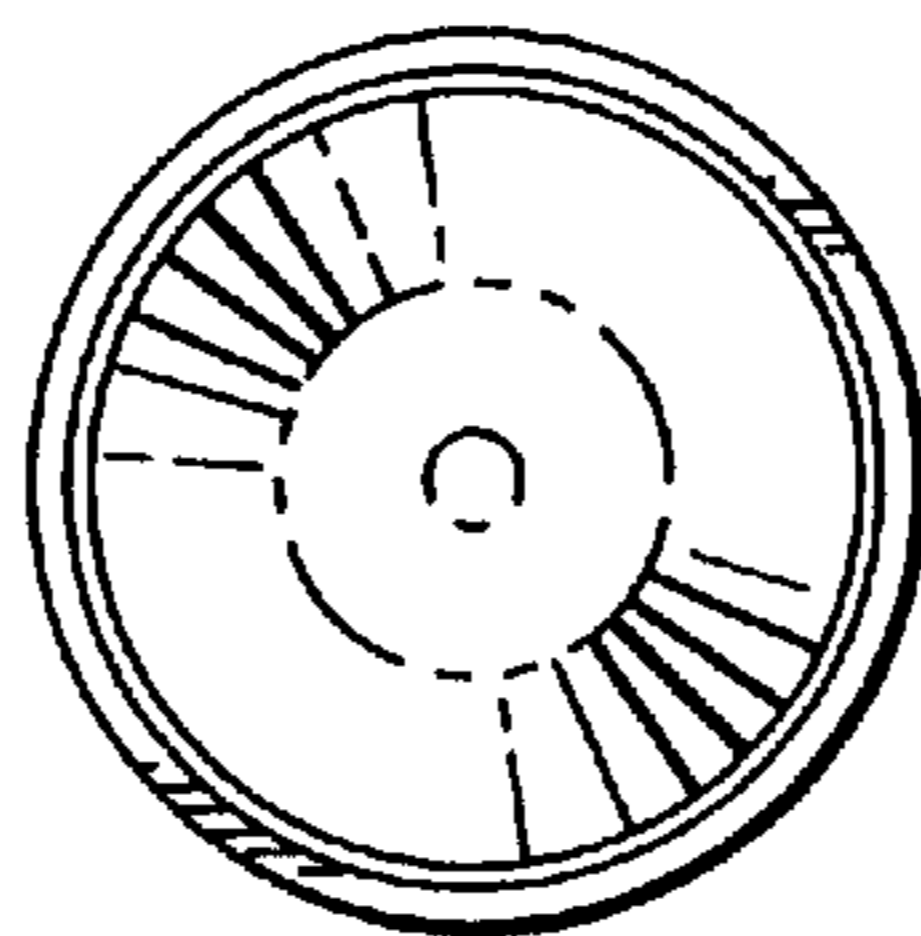


Fig. 3

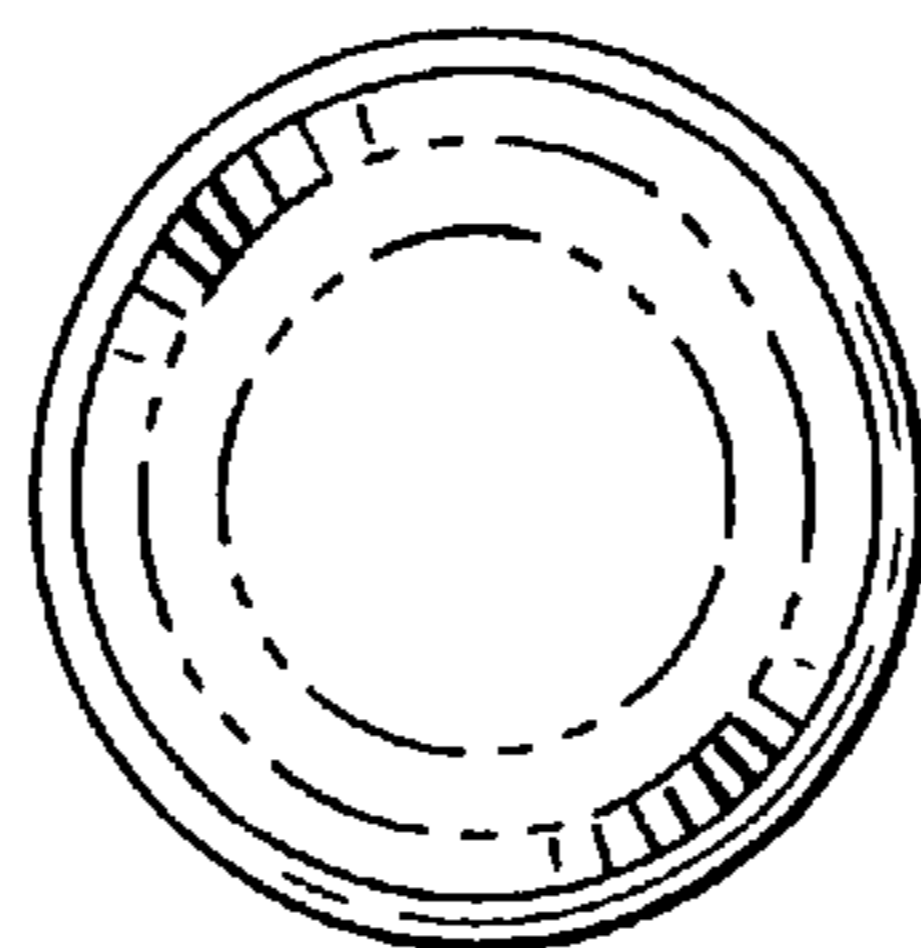


Fig. 4