



US00D434132S

# United States Patent [19] Shapiro

[11] **Patent Number: Des. 434,132**

[45] **Date of Patent: \*\* Nov. 21, 2000**

[54] **PIVOT FAN**

[75] Inventor: **Barry Shapiro**, Doylestown, Pa.

[73] Assignee: **Lasko Holdings**, West Chester, Pa.

[\*\*] Term: **14 Years**

[21] Appl. No.: **29/120,573**

[22] Filed: **Mar. 21, 2000**

[51] **LOC (7) Cl.** ..... **23-04**

[52] **U.S. Cl.** ..... **D23/382**

[58] **Field of Search** ..... D23/382, 381,  
D23/412, 370, 380, 332; 416/247, 246

[56] **References Cited**

**U.S. PATENT DOCUMENTS**

D. 369,403 4/1996 Reveal et al. .... D23/382

D. 416,996 11/1999 Mack ..... D23/382

*Primary Examiner*—Lisa Lichtenstein  
*Attorney, Agent, or Firm*—Zachary T. Wobensmith, III

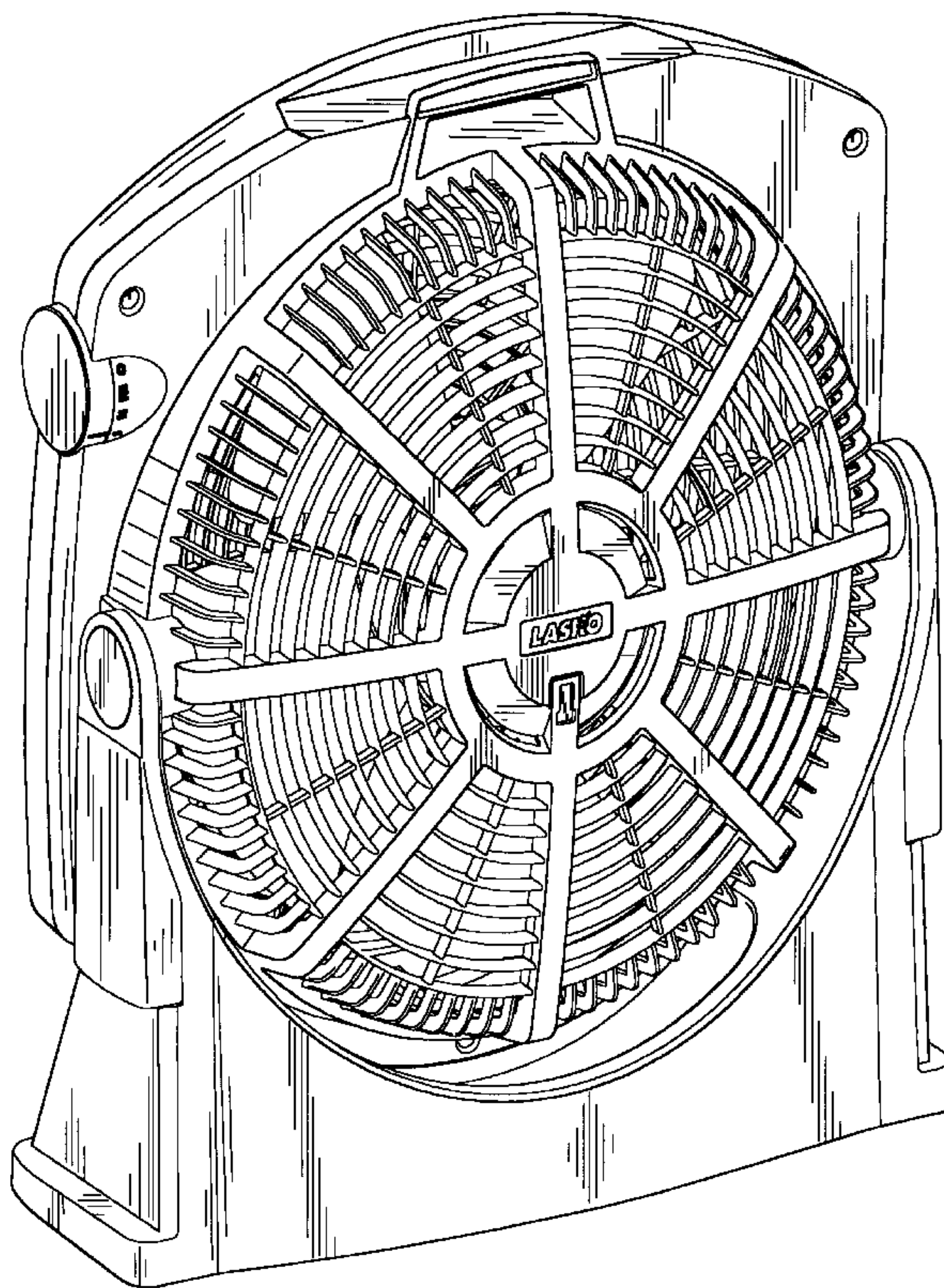
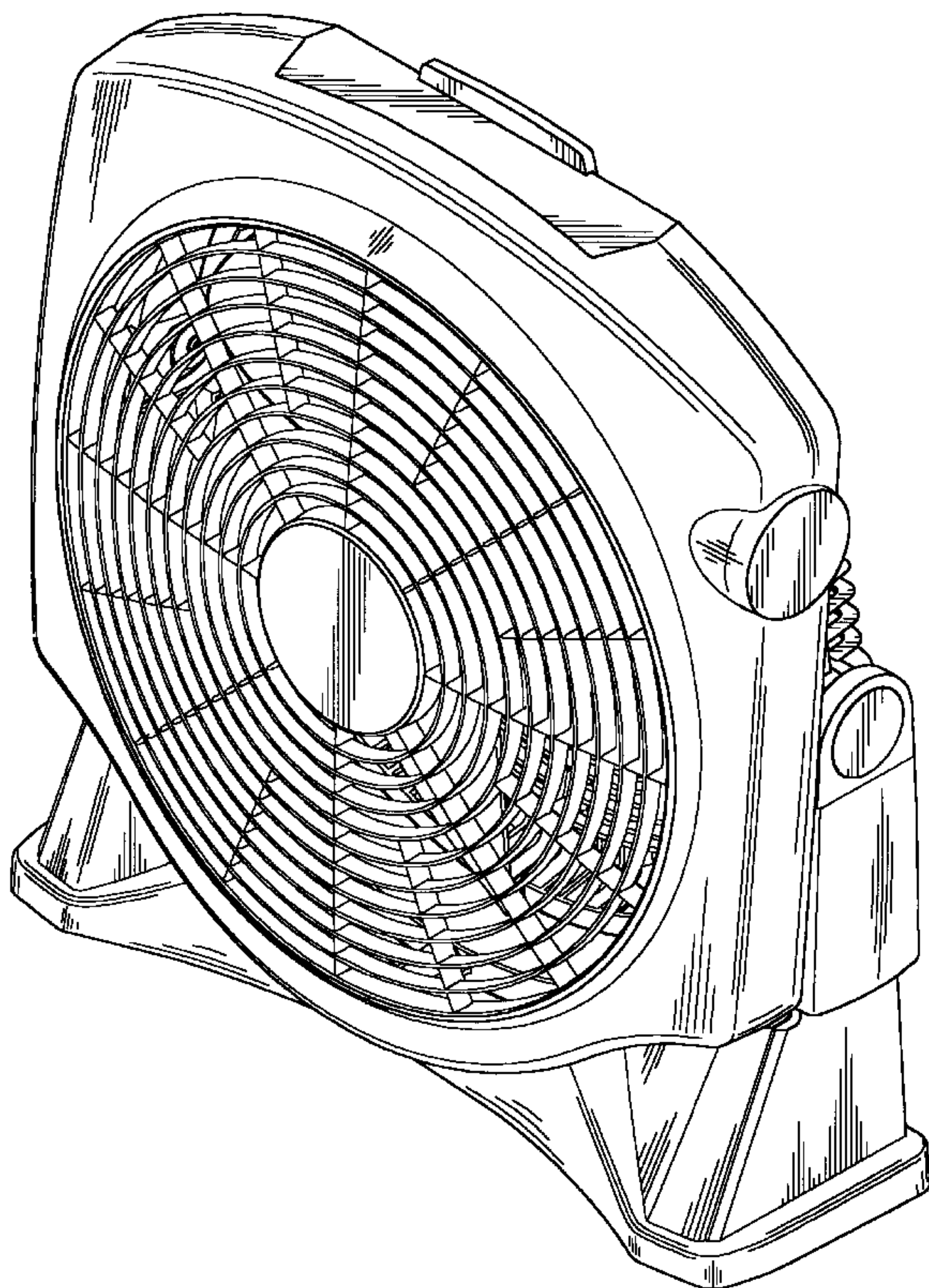
[57] **CLAIM**

The ornamental design for a pivot fan, as shown and described.

**DESCRIPTION**

FIG. 1 is a front elevational view of a pivot fan showing my new design;  
FIG. 2 is a front perspective view thereof;  
FIG. 3 is a rear perspective view thereof;  
FIG. 4 is a rear view thereof;  
FIG. 5 is a top plan view thereof;  
FIG. 6 is a right side view thereof; and,  
FIG. 7 is a left side view thereof.

**1 Claim, 7 Drawing Sheets**





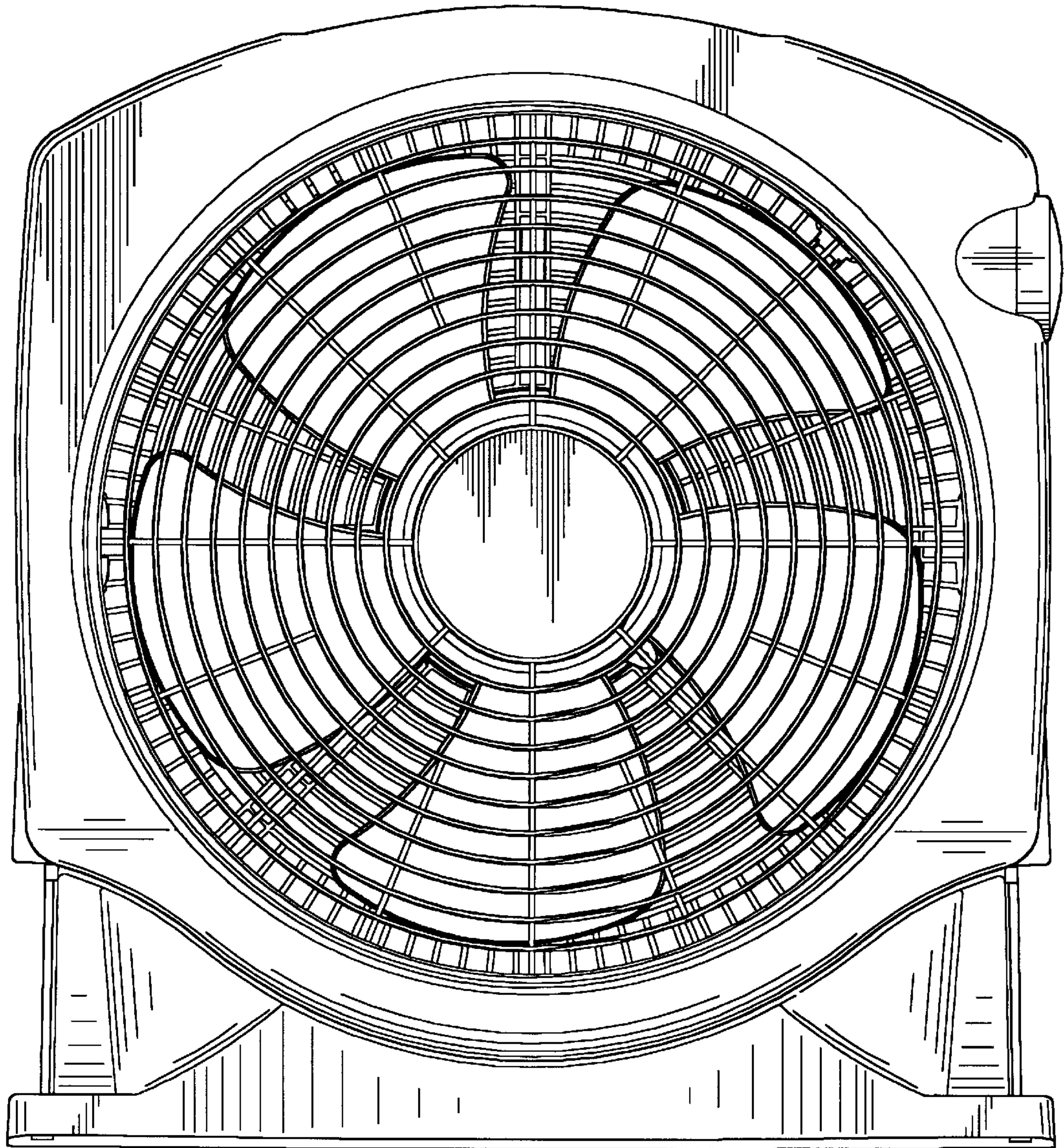


Fig. 1

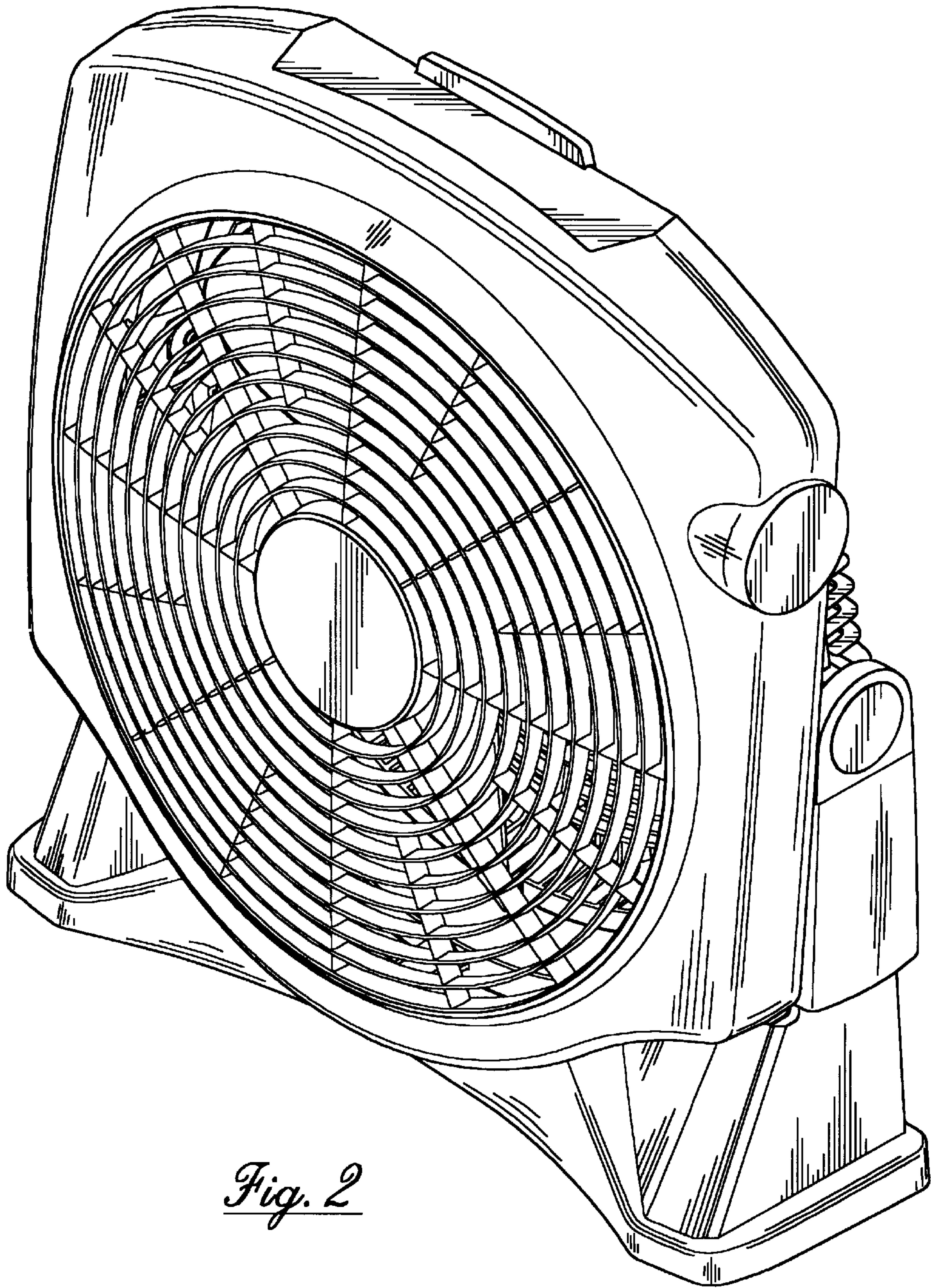
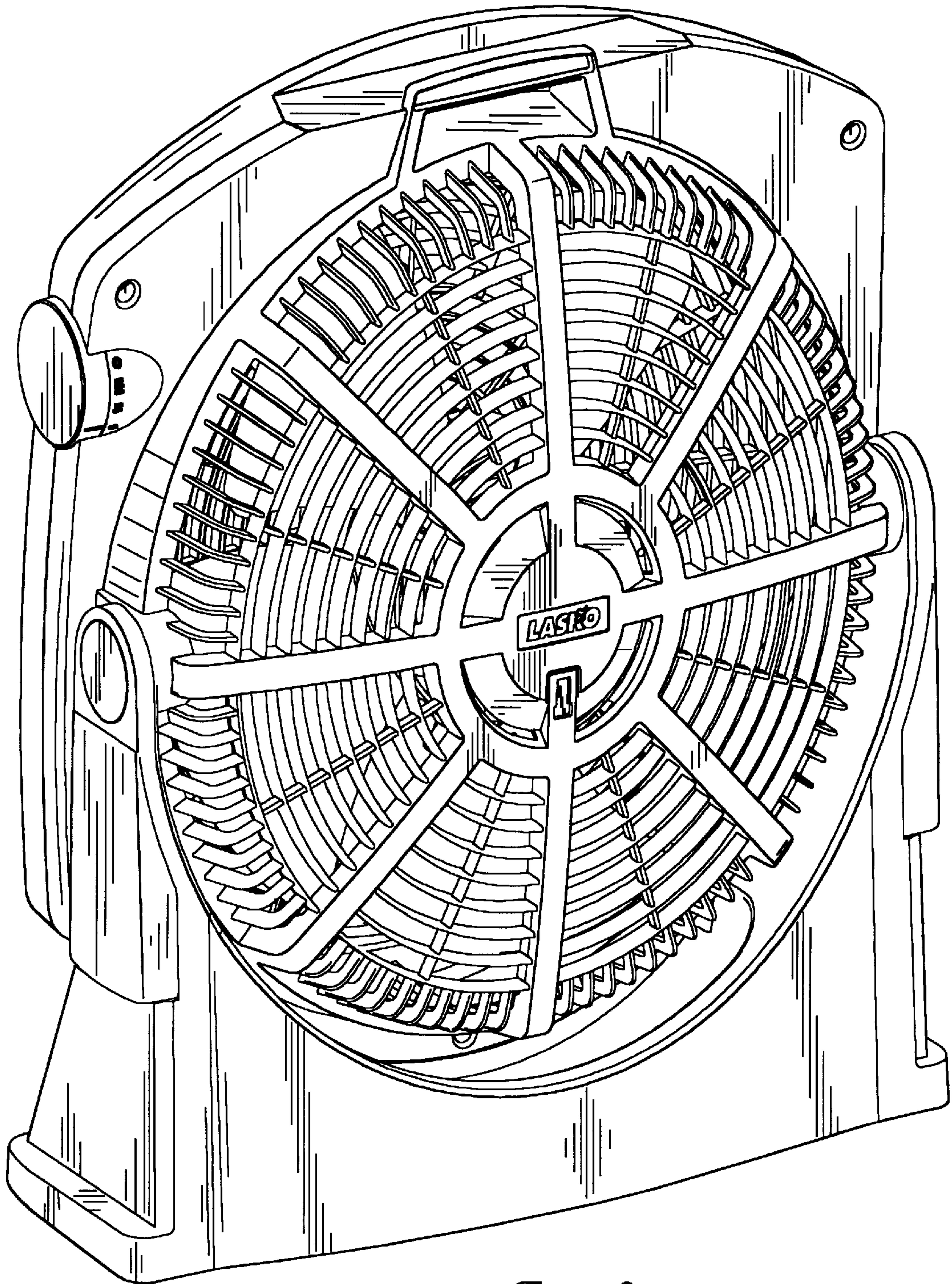
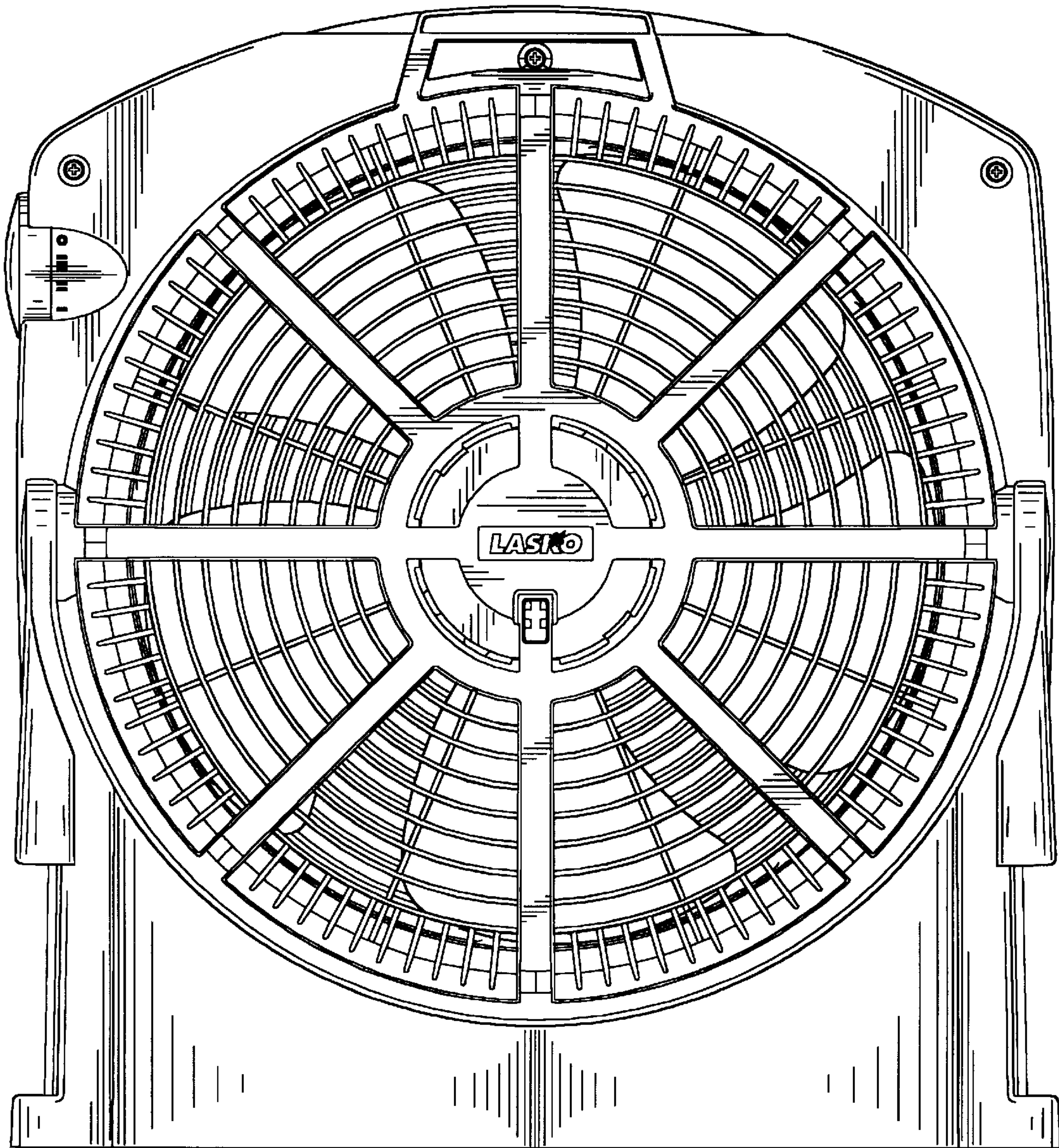


Fig. 2





*Fig. 3*



*Fig. 4*



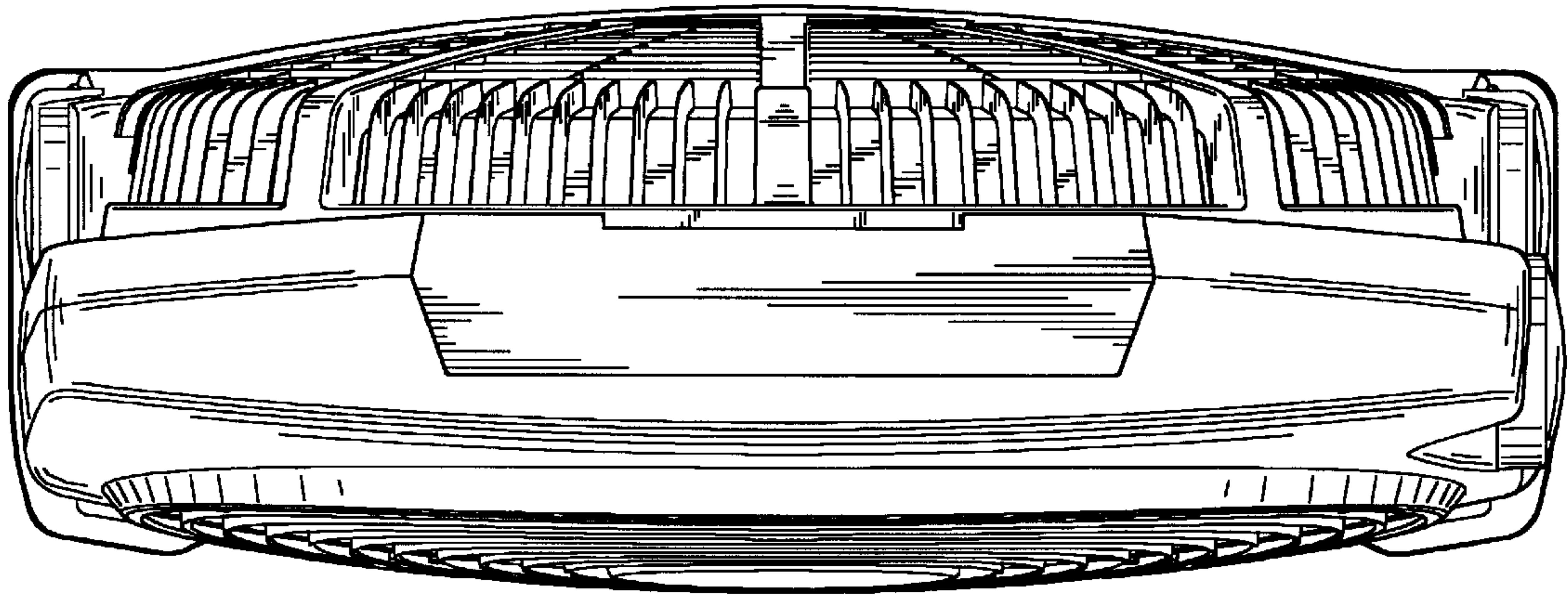


Fig. 5

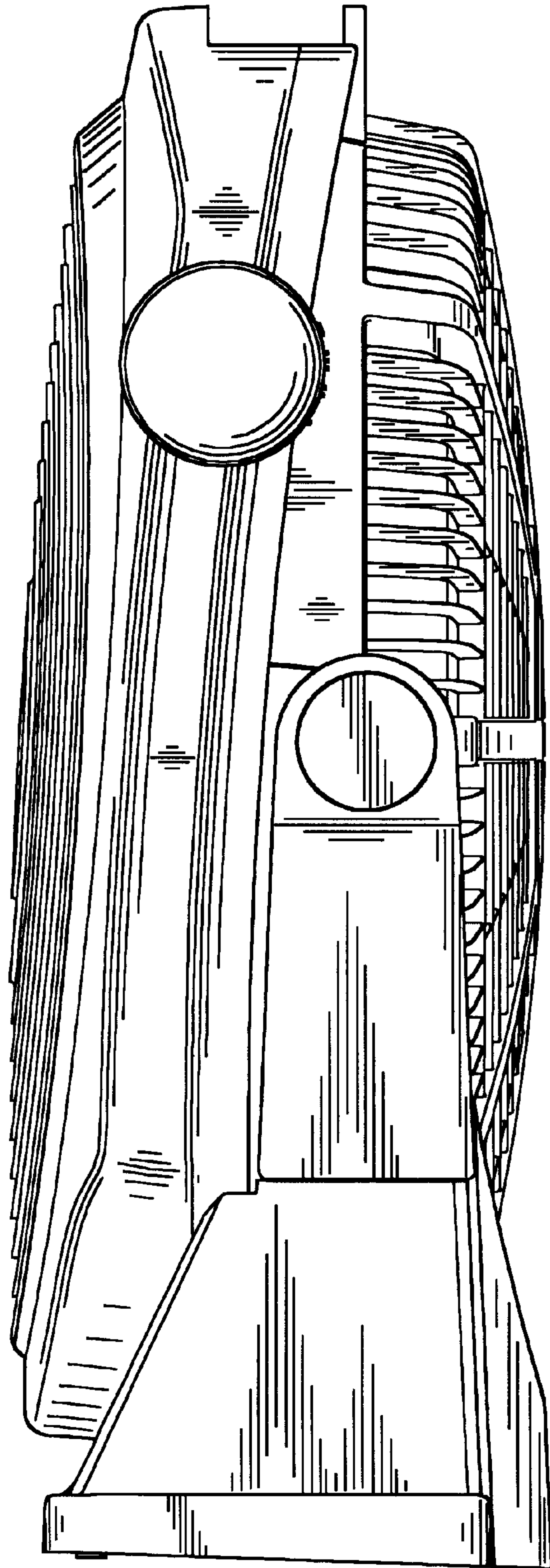


Fig. 6

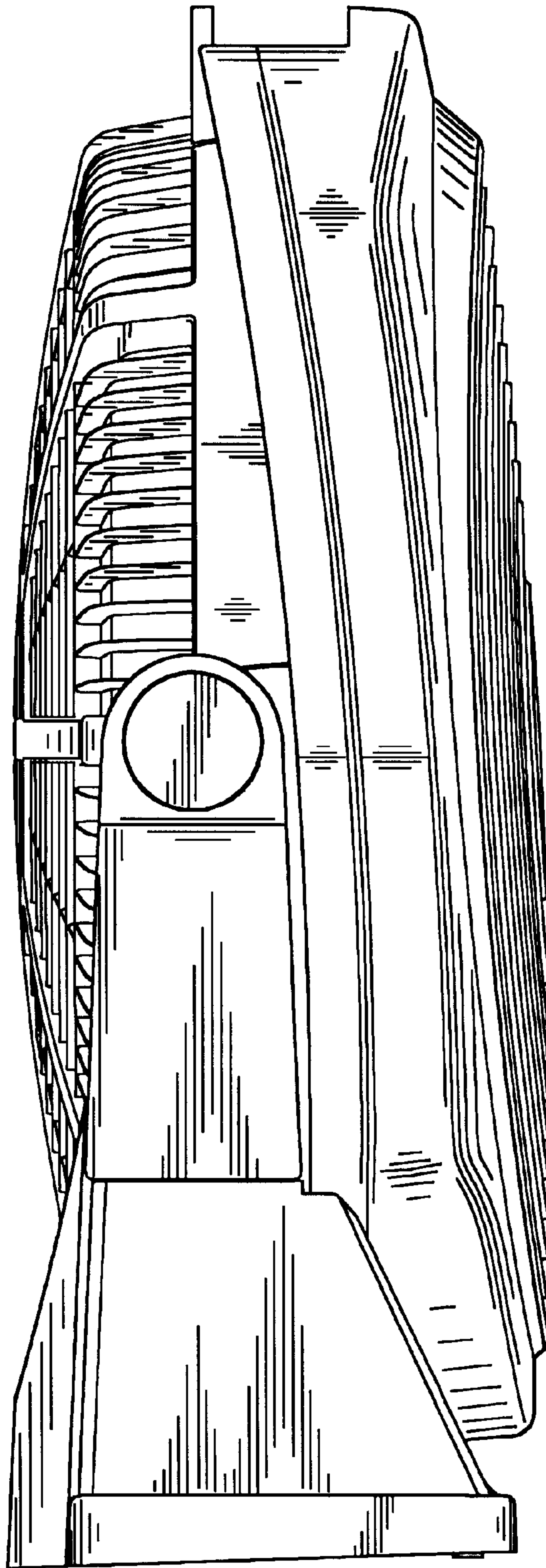


Fig. 7