



US00D434127S

United States Patent [19]

Dery et al.

[11] Patent Number: Des. 434,127

[45] Date of Patent: ** Nov. 21, 2000

[54] HUMIDIFIER

[75] Inventors: **Paul Dery**, Montreal; **Gabriel Chauviaux**, Laval, both of Canada; **Joseph Carley**, Clinton, Mo.; **Philip Frank**, Portland, Oreg.; **Omer Kotzer**, Portland, Oreg.; **Kim Porter**, Portland, Oreg.; **Sohrab Vossoughi**, Portland, Oreg.; **Scott Thorpe**, Portland, Oreg.; **Steve McCallion**, Portland, Oreg.; **Angelika Schubert-Belle**, Portland, Oreg.

[73] Assignee: **The Rival Company**, Kansas City, Mo.

[**] Term: **14 Years**

[21] Appl. No.: **29/098,230**

[22] Filed: **Dec. 23, 1998**

[51] **LOC (7) Cl.** **23-04**

[52] **U.S. Cl.** **D23/356; D23/358**

[58] **Field of Search** **D23/356-363; 261/107, DIG. 48, 104, 72.1, 81.1; 239/136; 422/120, 123; 392/403-406**

[56] **References Cited**

U.S. PATENT DOCUMENTS

- D. 119,197 2/1940 MacFadden et al. .
- D. 173,550 11/1954 Wrablica .
- D. 267,424 12/1982 Boldt et al. .
- D. 272,646 2/1984 Tsuji et al. .
- D. 274,645 7/1984 Grube .
- D. 281,618 12/1985 Grube .
- D. 282,869 3/1986 Parnell .
- D. 290,498 6/1987 Beane et al. .
- D. 290,997 7/1987 Utsuki et al. .
- D. 291,350 8/1987 Sherman et al. .
- D. 294,633 3/1988 McBratney .
- D. 300,353 3/1989 Yurkovic .
- D. 300,847 4/1989 Lin .
- D. 305,260 12/1989 Mito .
- D. 309,182 7/1990 Hsu .
- D. 311,951 11/1990 Dubin .
- D. 312,124 11/1990 Coup et al. .
- D. 313,069 12/1990 McCormick .

- D. 315,598 3/1991 Yamamoto et al. .
- D. 318,526 7/1991 Chaney .

(List continued on next page.)

FOREIGN PATENT DOCUMENTS

- 1193100 10/1959 France .
- 51-118258 9/1976 Japan .
- 61-208455 9/1986 Japan .
- 485282 12/1975 U.S.S.R. .
- 619760 2/1978 U.S.S.R. .

OTHER PUBLICATIONS

Rival Trade Publications (7 pages) ©1994.
 Grainger 1996 Catalog No. 387 (5 pages).
 "These Models Cool or Heat the Air," Sun Radio Co. Adv. Brochure, inside page.
 "A world of warmth . . . Arvin Portable Electric Heaters," Bell & Co. cat., 1960.
 Heater Features, (6 pages).

Primary Examiner—Lisa Lichtenstein
Attorney, Agent, or Firm—Brinks Hofer Gilson & Lione; Francis E. Marino

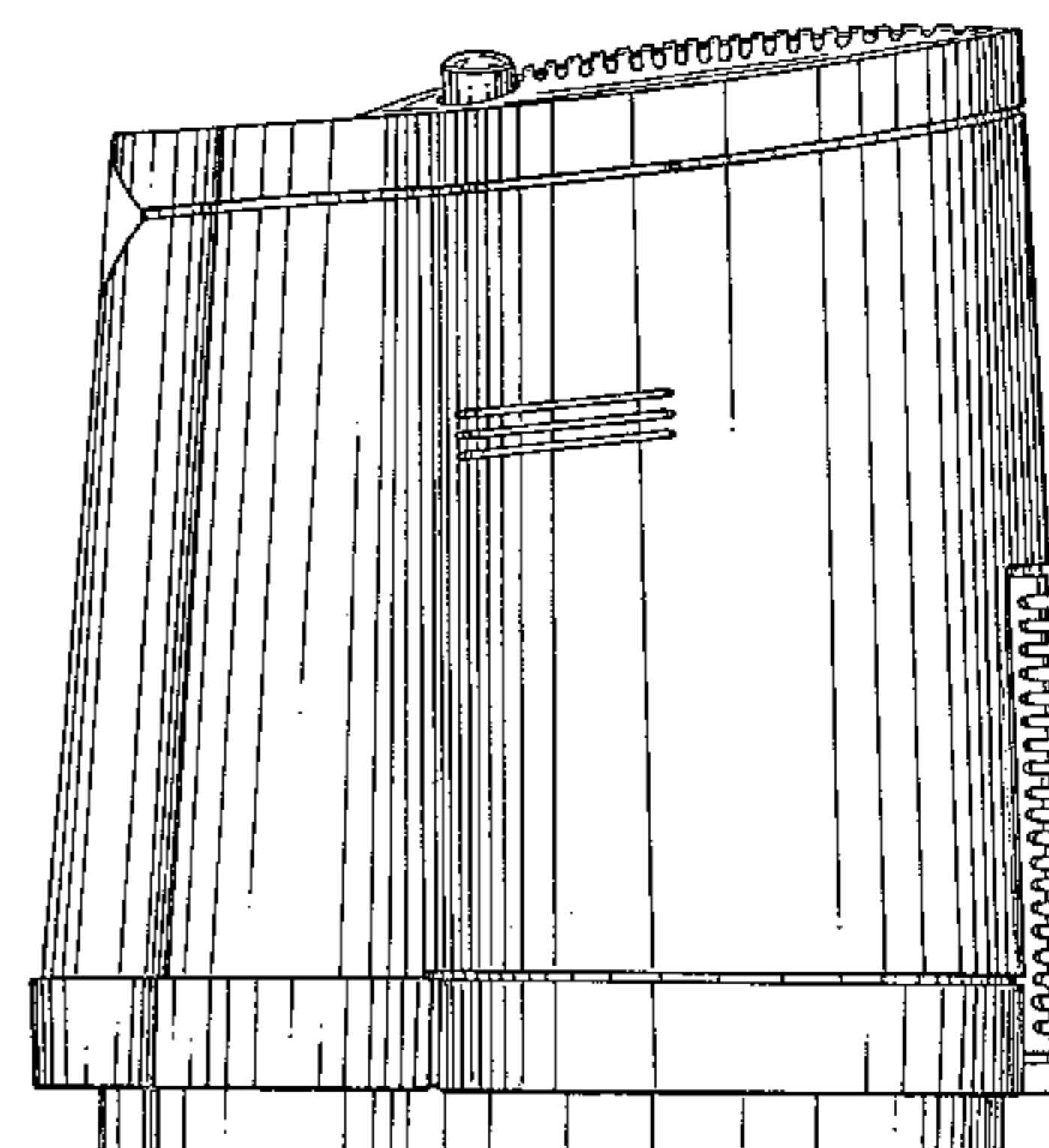
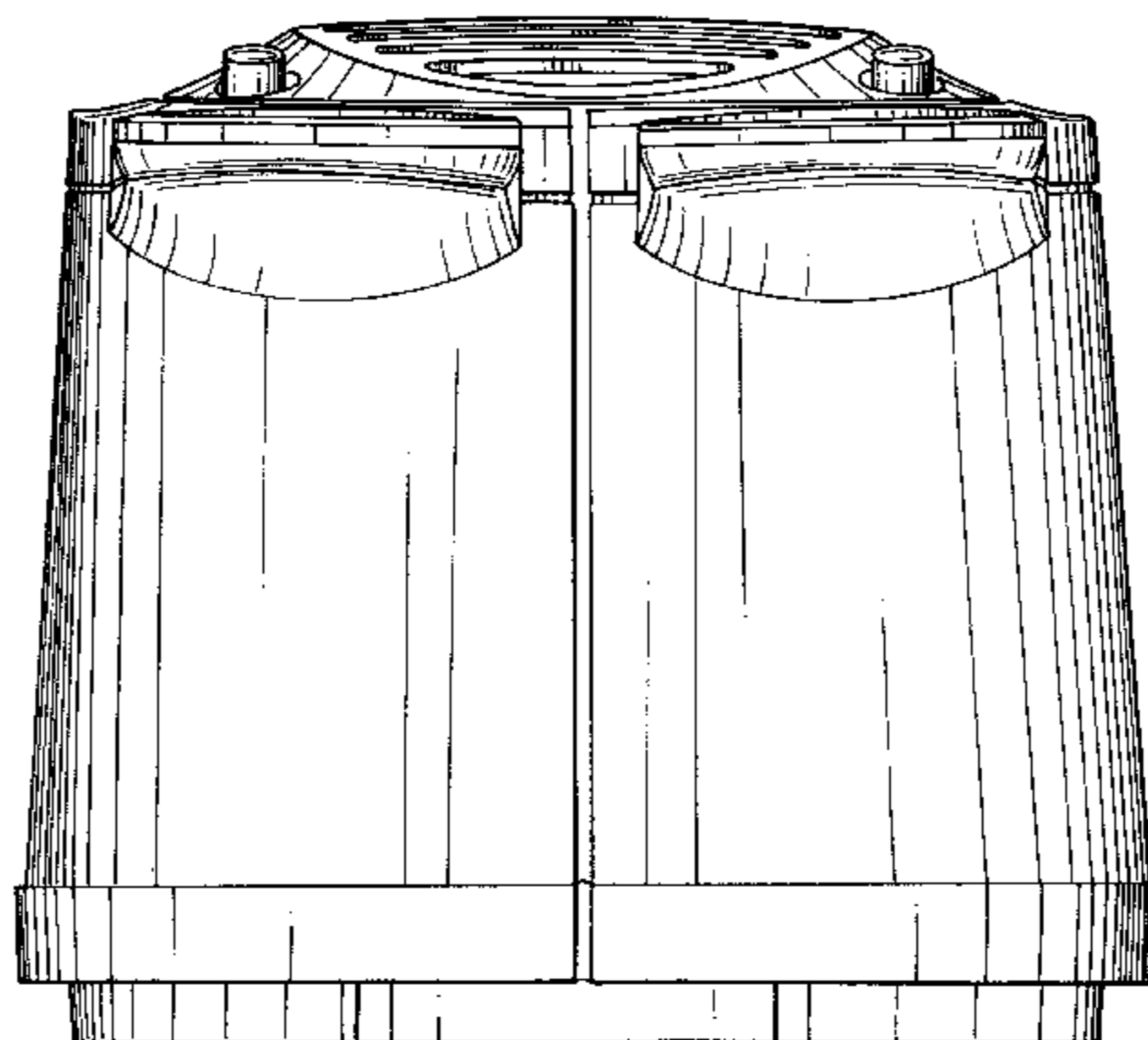
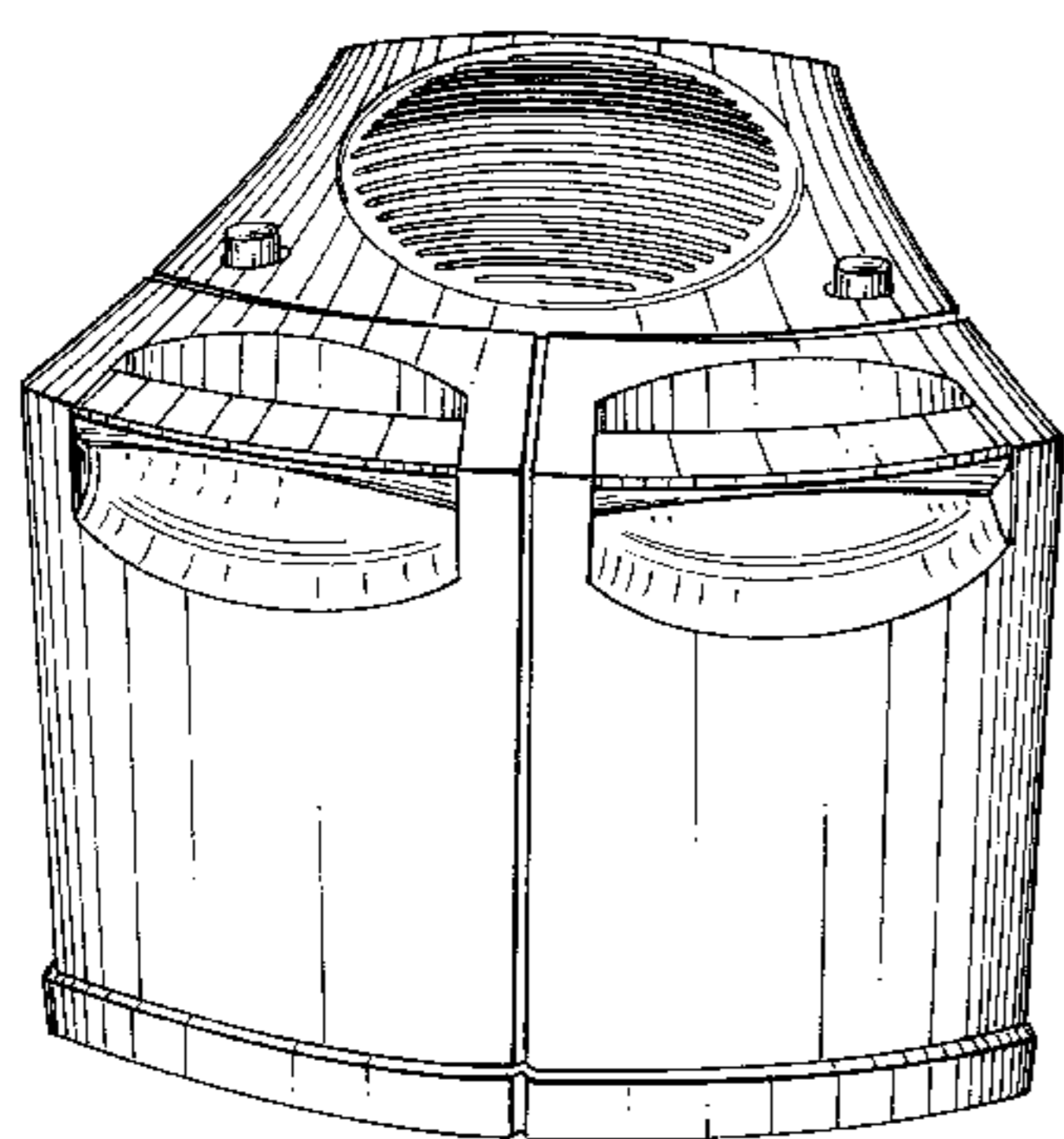
[57] **CLAIM**

The ornamental design for a humidifier, as shown and described.

DESCRIPTION

FIG. 1 is a perspective view of a humidifier showing our new design.
 FIG. 2 is a rearview thereof;
 FIG. 3 is a top view thereof;
 FIG. 4 is a front view thereof;
 FIG. 5 is a right side view thereof, the opposite side being a mirror image of that shown;
 FIG. 6 is a perspective view of a second embodiment of a humidifier showing our new design;
 FIG. 7 is a right side view of FIG. 6, the opposite side being a mirror image of that shown;
 FIG. 8 is a top view of FIG. 6; and,
 FIG. 9 is a front view of FIG. 6.

1 Claim, 5 Drawing Sheets



U.S. PATENT DOCUMENTS					
			2,590,600	3/1952	Farr et al. .
			2,707,745	5/1955	Farr et al. .
			2,766,027	10/1956	Herr .
			2,914,647	11/1959	Ganske et al. .
			3,019,324	1/1962	Sohn .
			3,348,821	10/1967	Martin et al. .
			3,348,822	10/1967	Vieceli et al. .
			3,385,287	5/1968	Lawson et al. .
			3,637,981	1/1972	Swimmer .
			3,725,640	4/1973	Kunz .
			3,914,349	10/1975	Stipanuk .
			4,463,248	7/1984	Katzman et al. .
			4,686,069	8/1987	Hahne et al. .
			4,811,159	3/1989	Foster, Jr. .
			4,906,417	3/1990	Gentry .
D. 323,708	2/1992	Wang .			
D. 324,907	3/1992	Cook .			
D. 325,251	4/1992	Schindler et al. .			
D. 329,284	9/1992	Patton .			
D. 330,074	10/1992	Wang et al. D23/356			
D. 337,635	7/1993	Schindler et al. .			
D. 343,448	1/1994	Jursich et al. .			
D. 343,677	1/1994	Gyori et al. .			
D. 353,661	12/1994	Cich, Jr. et al. .			
D. 354,557	1/1995	Cich, Jr. et al. .			
D. 393,703	4/1998	Gilberetson D23/356			
D. 397,196	8/1998	Tsuji D23/356			
1,952,269	3/1934	Lundquist .			
2,100,439	11/1937	Friedman .			

Fig. 1

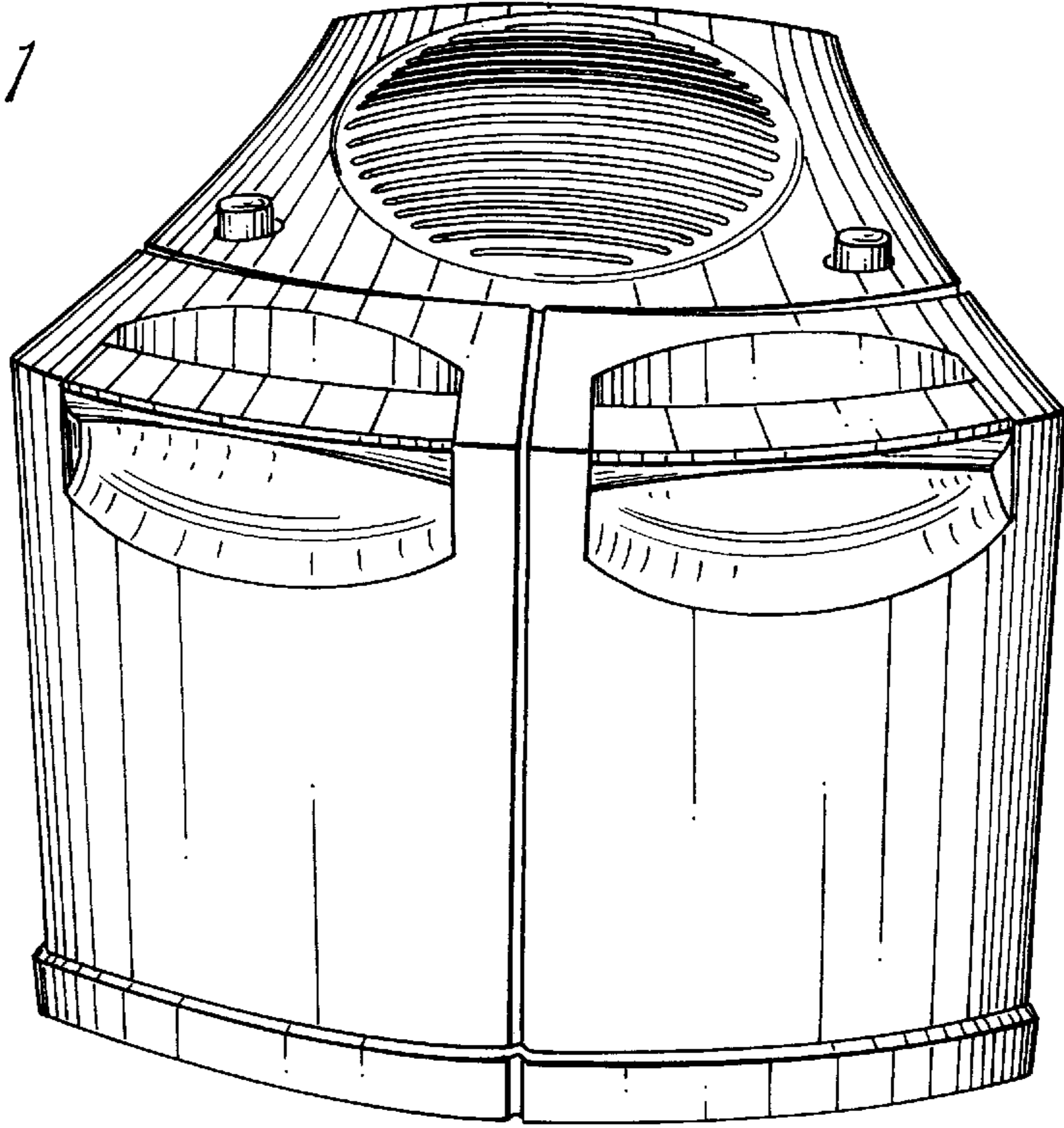


Fig. 2

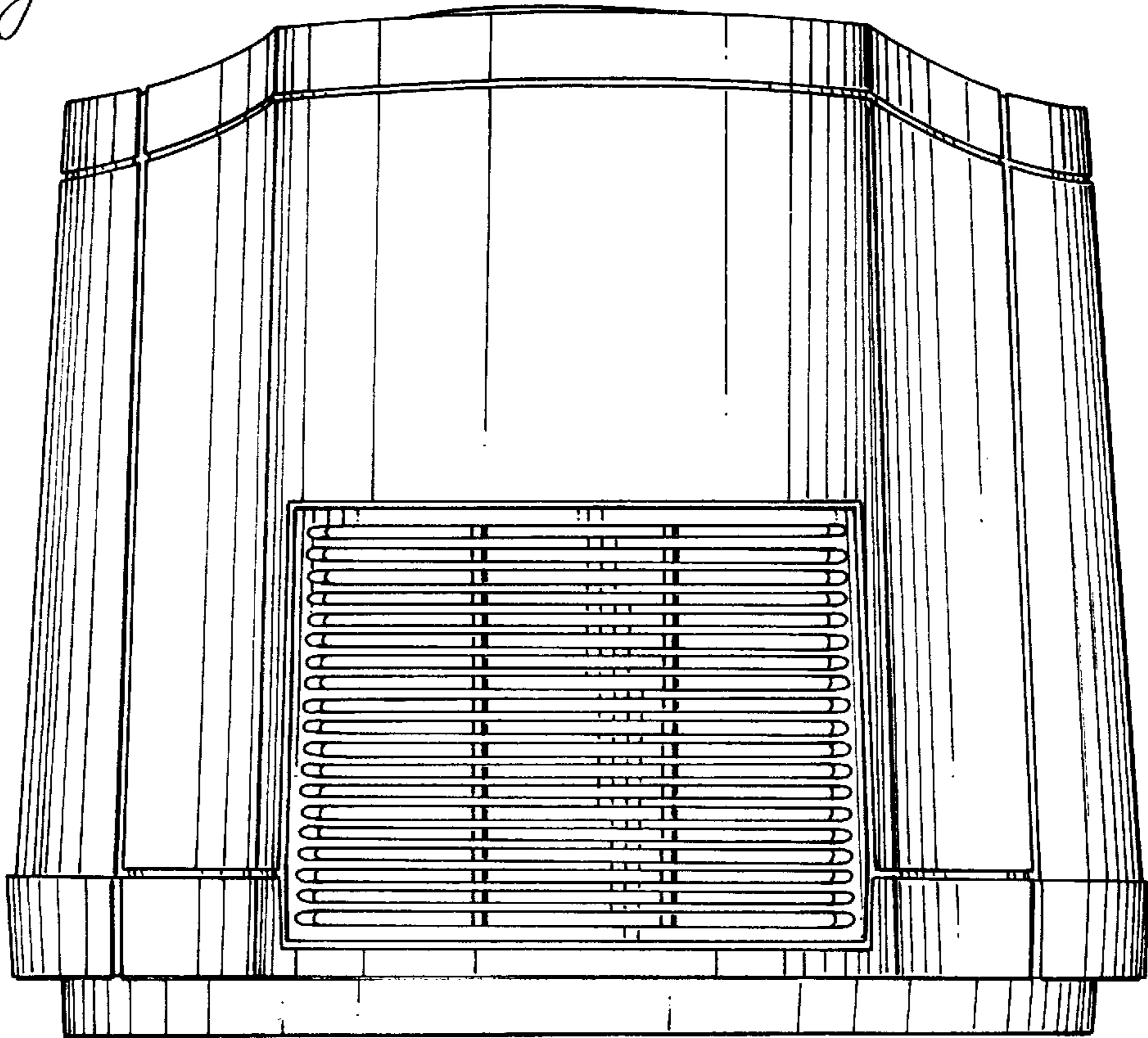


Fig. 3

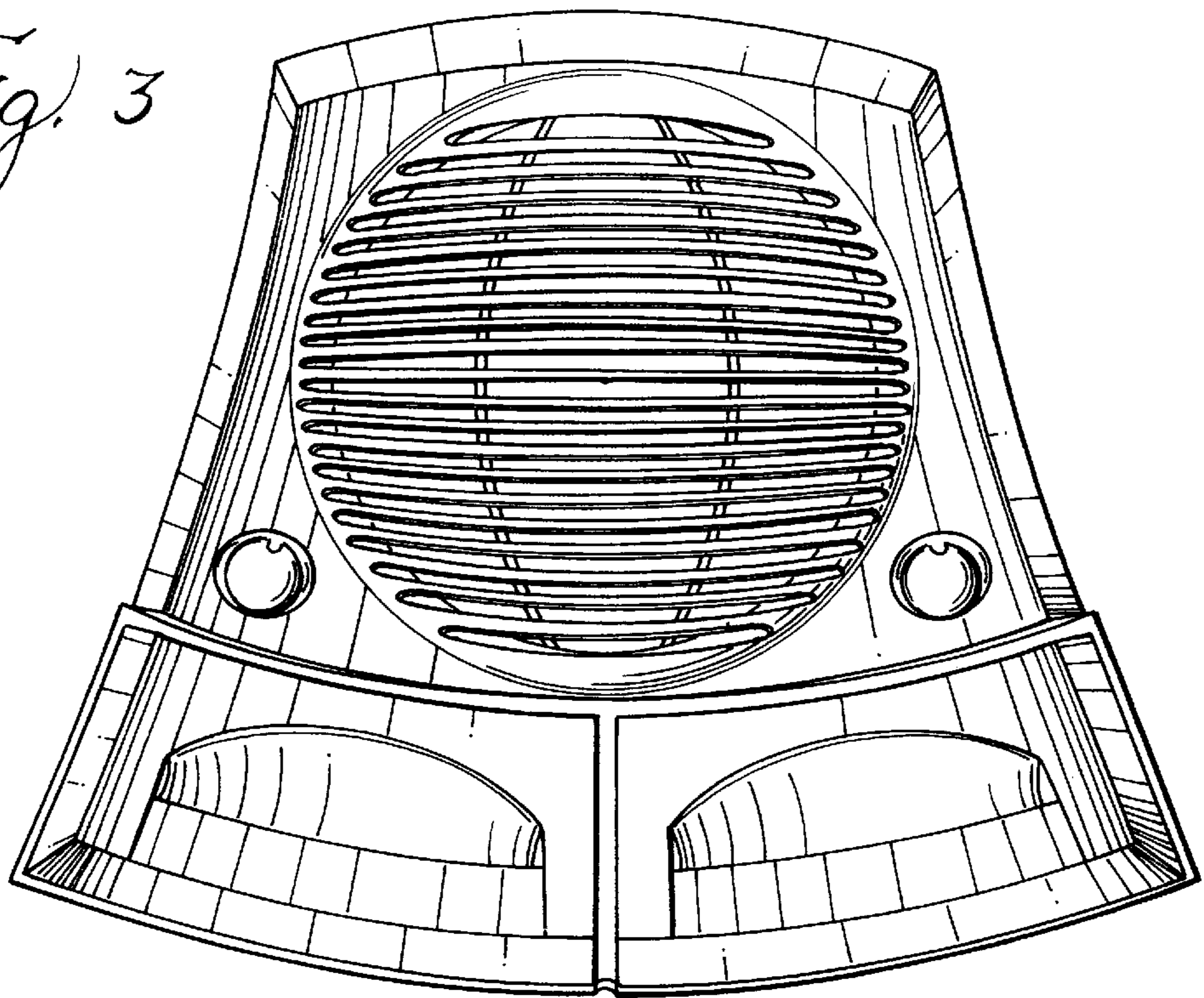


Fig. 4

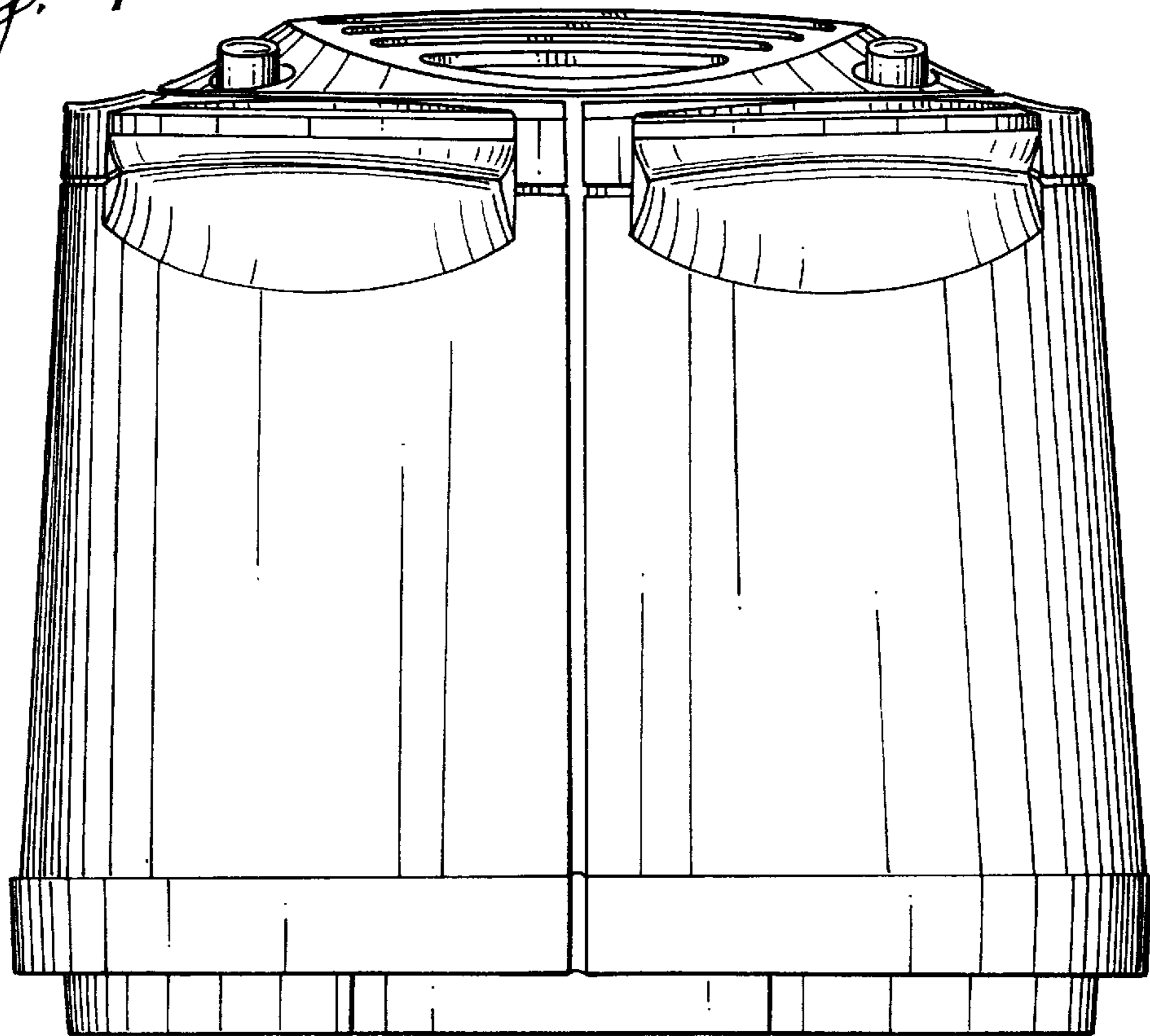


Fig. 5

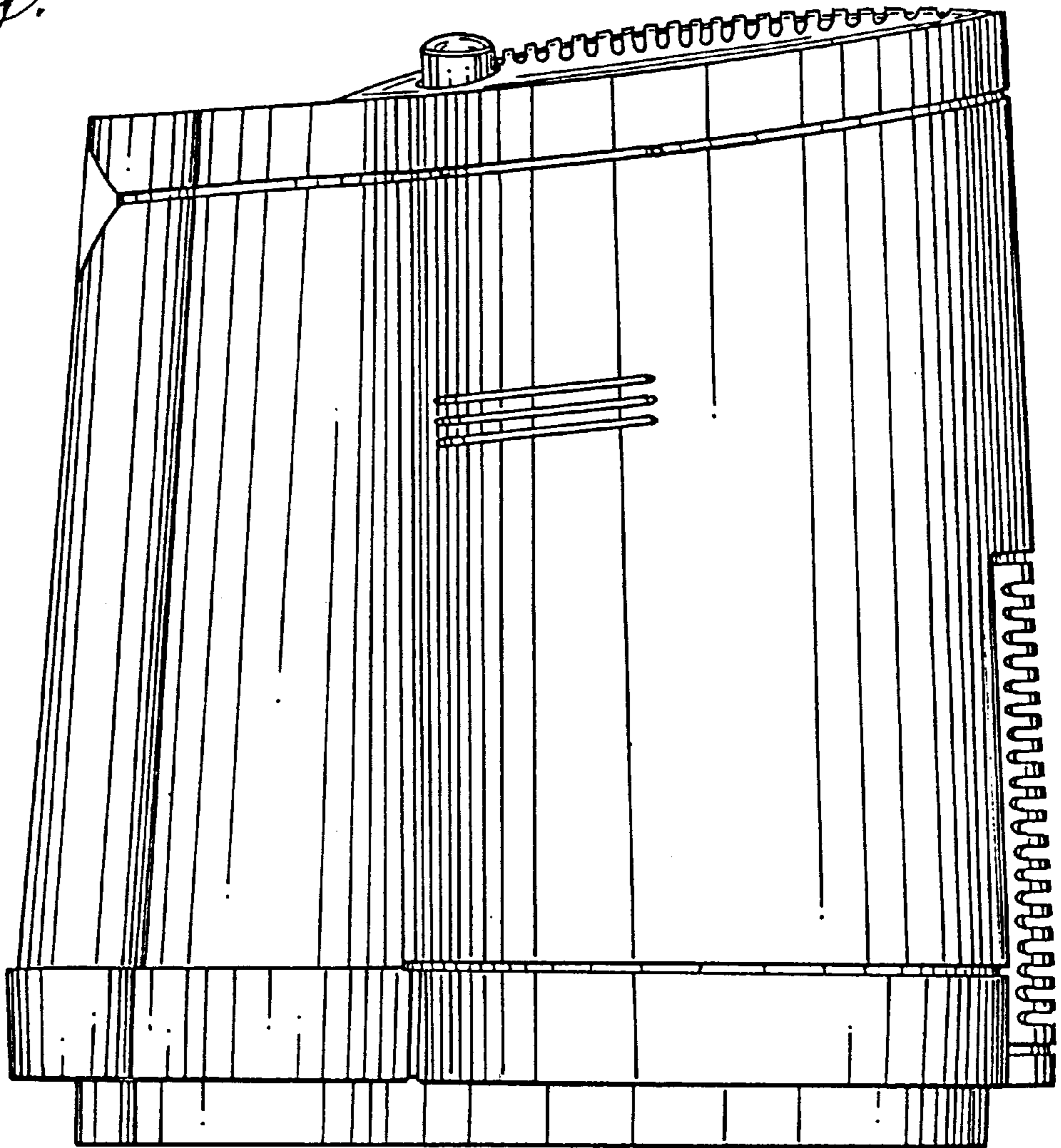


Fig. 6

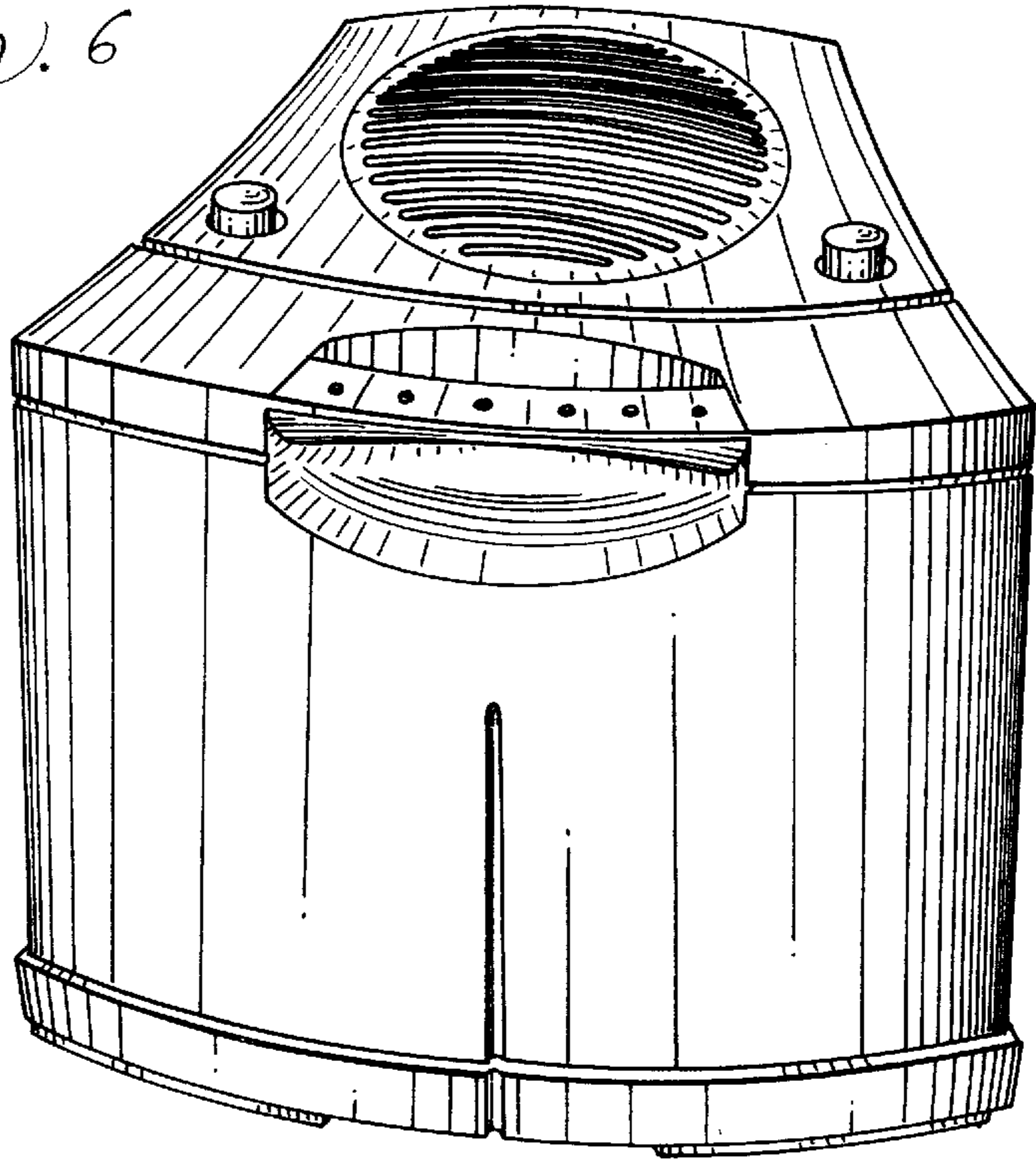


Fig. 7

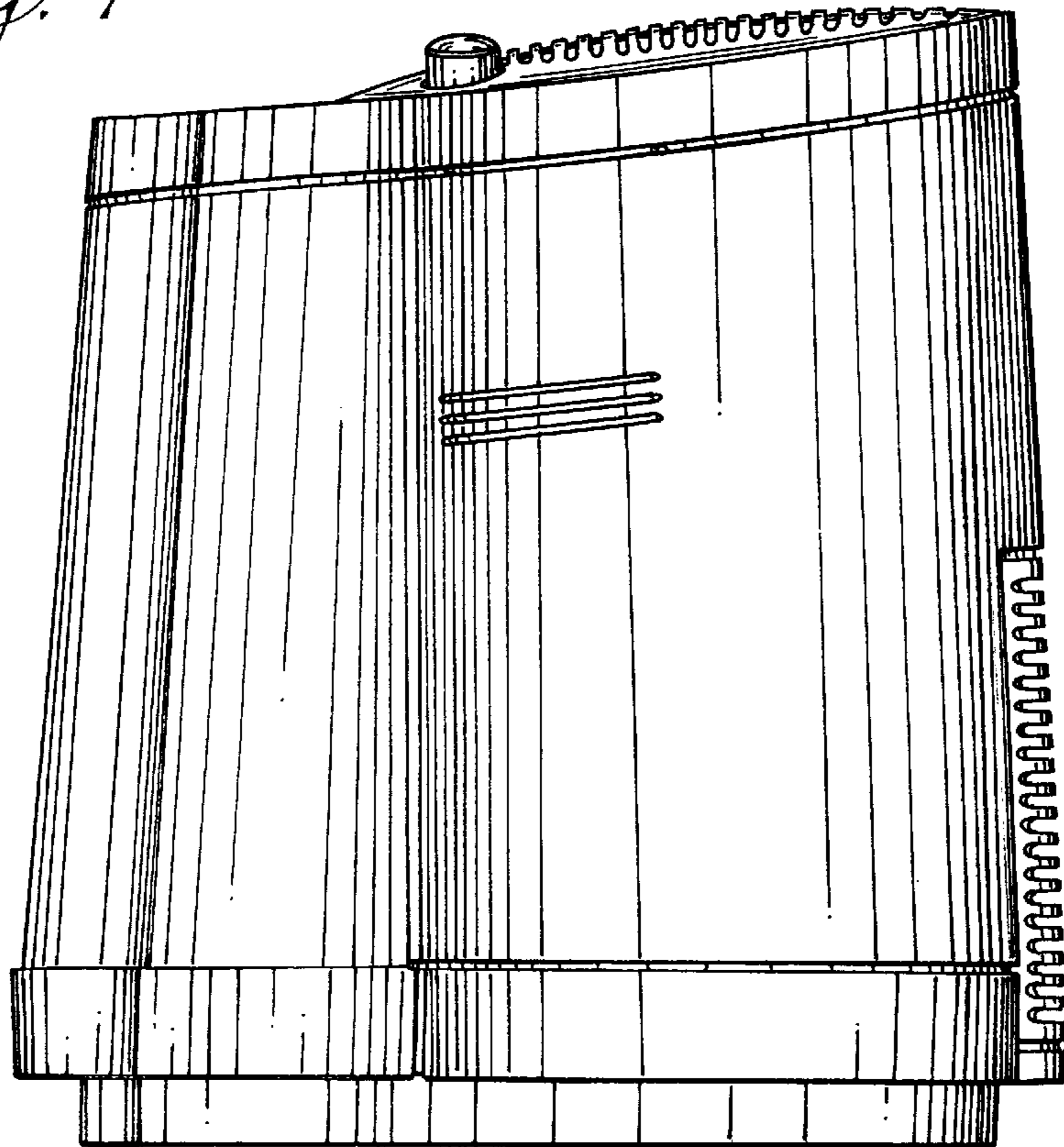


Fig. 8

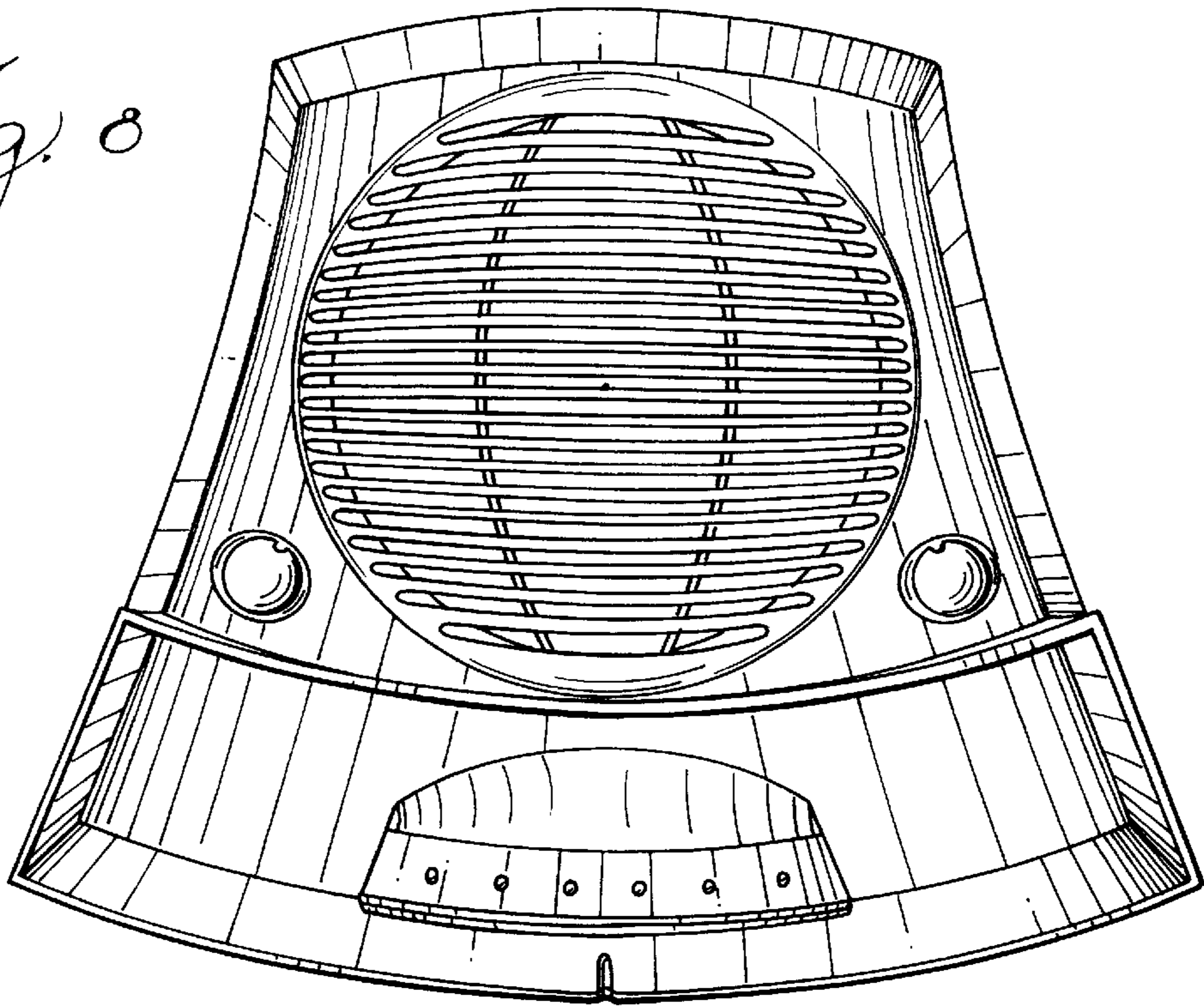


Fig. 9

