



US00D434125S

United States Patent [19] Remeyer

[11] Patent Number: **Des. 434,125**

[45] Date of Patent: **** Nov. 21, 2000**

[54] **STAND FOR A WATER HEATER**
[76] Inventor: **Steven C. Remeyer**, 22552 Canaveras,
Mission Viejo, Calif. 92691

5,577,539 11/1996 Shaw et al. 220/571
5,645,103 7/1997 Whittaker 137/362
5,752,543 5/1998 Groening 220/571
5,881,762 3/1999 Janesky 137/312

[**] Term: **14 Years**

Primary Examiner—B. J. Bullock
Attorney, Agent, or Firm—Chris Papageorge

[21] Appl. No.: **29/096,283**

[57] **CLAIM**

[22] Filed: **Nov. 9, 1998**

The ornamental design for a stand for a water heater, as shown and described.

[51] **LOC (7) Cl.** **23-03**

[52] **U.S. Cl.** **D23/322**

[58] **Field of Search** D23/322, 319–321;
248/346.01, 346.5, 678; 126/277, 344, 375;
220/571; 137/312, 362; D6/486

DESCRIPTION

[56] **References Cited**

U.S. PATENT DOCUMENTS

D. 225,938	1/1973	Kienel .	
D. 302,215	7/1989	Fontanelli .	
D. 316,639	5/1991	Adler	D6/486
4,577,828	3/1986	Drucker	248/678
4,765,360	8/1988	Baird	137/312
5,099,873	3/1992	Sanchez	137/312

FIG. 1 is a top plan view of a stand for a water heater showing my new design.

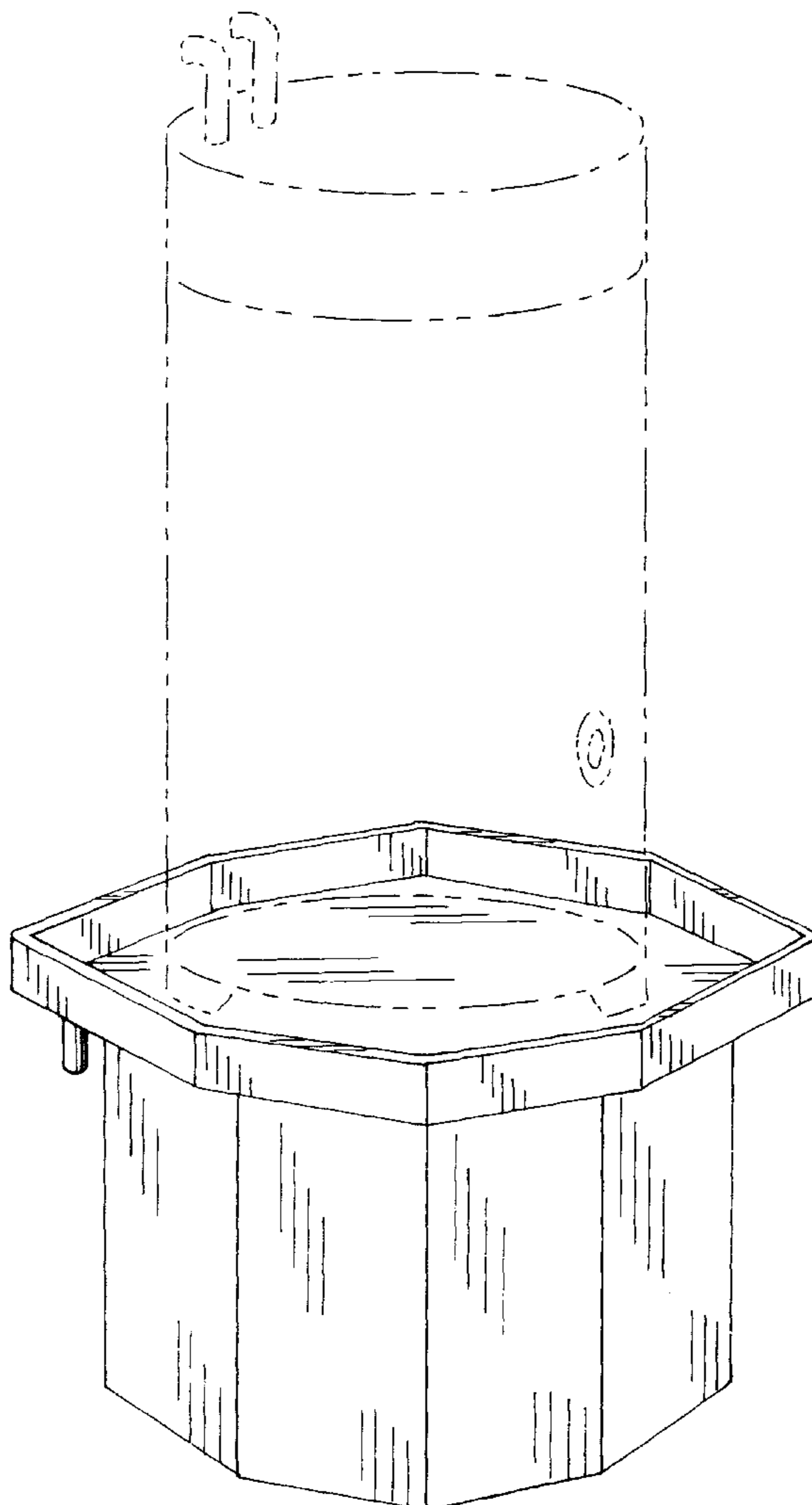
FIG. 2 is a bottom plan view thereof.

FIG. 3 is a side elevational view thereof.

FIG. 4 is a top side perspective view thereof.

FIG. 5 is a top side perspective view thereof also showing a water heater depicted in phantom mounted on the top surface thereof, said water heater forming no part of the invention.

1 Claim, 5 Drawing Sheets



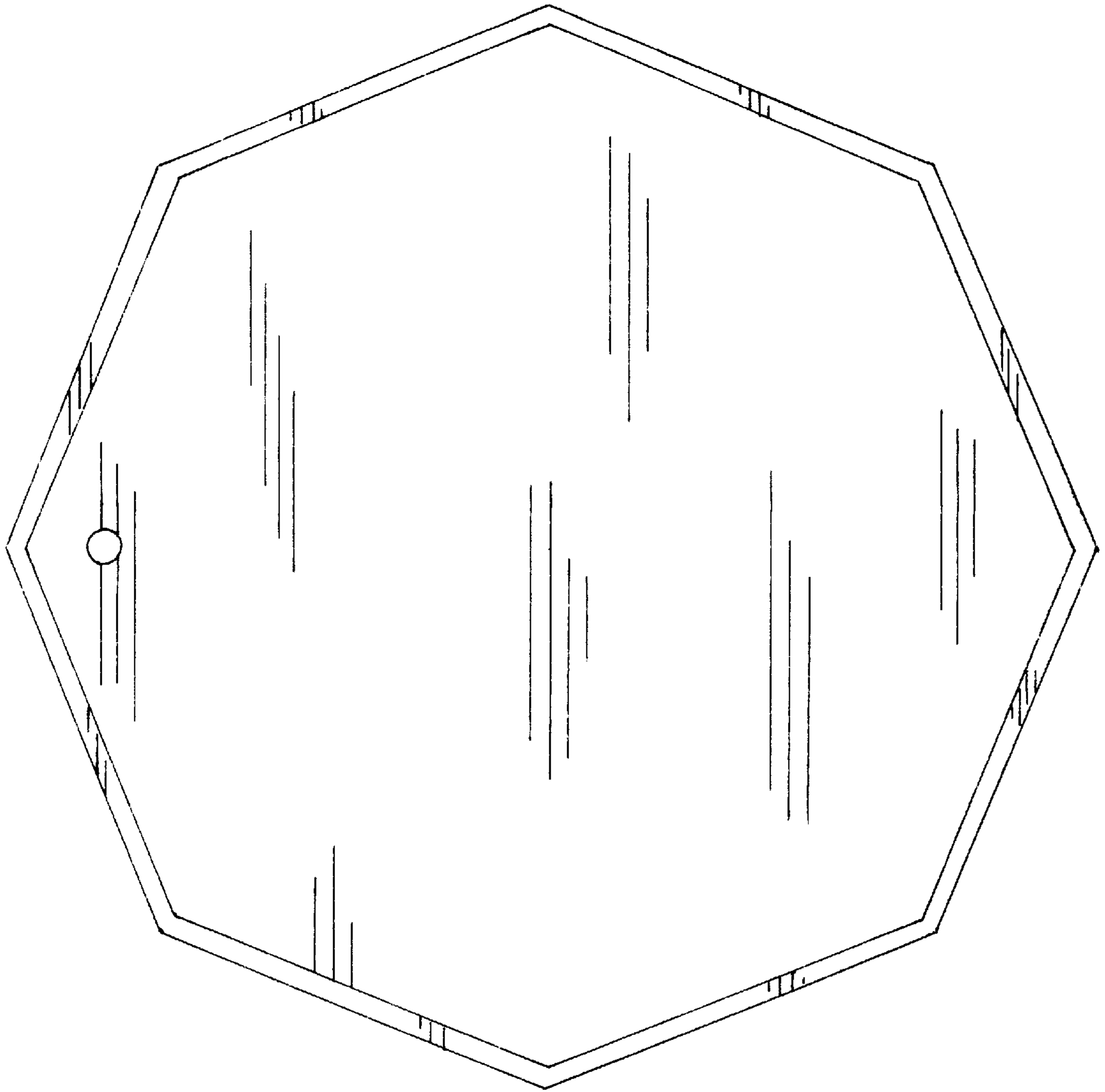


FIG. 1

FIG. 2

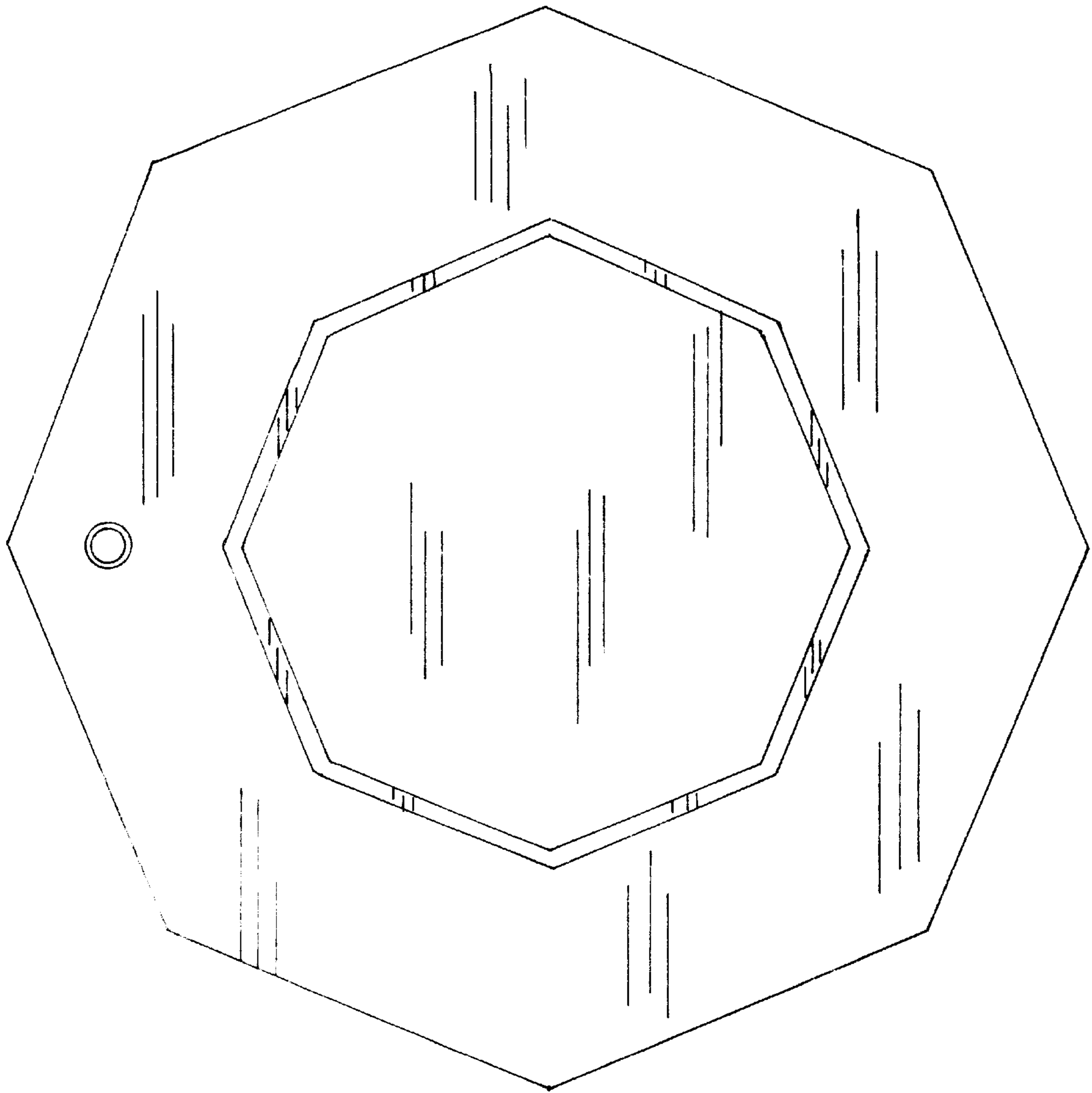


FIG. 3

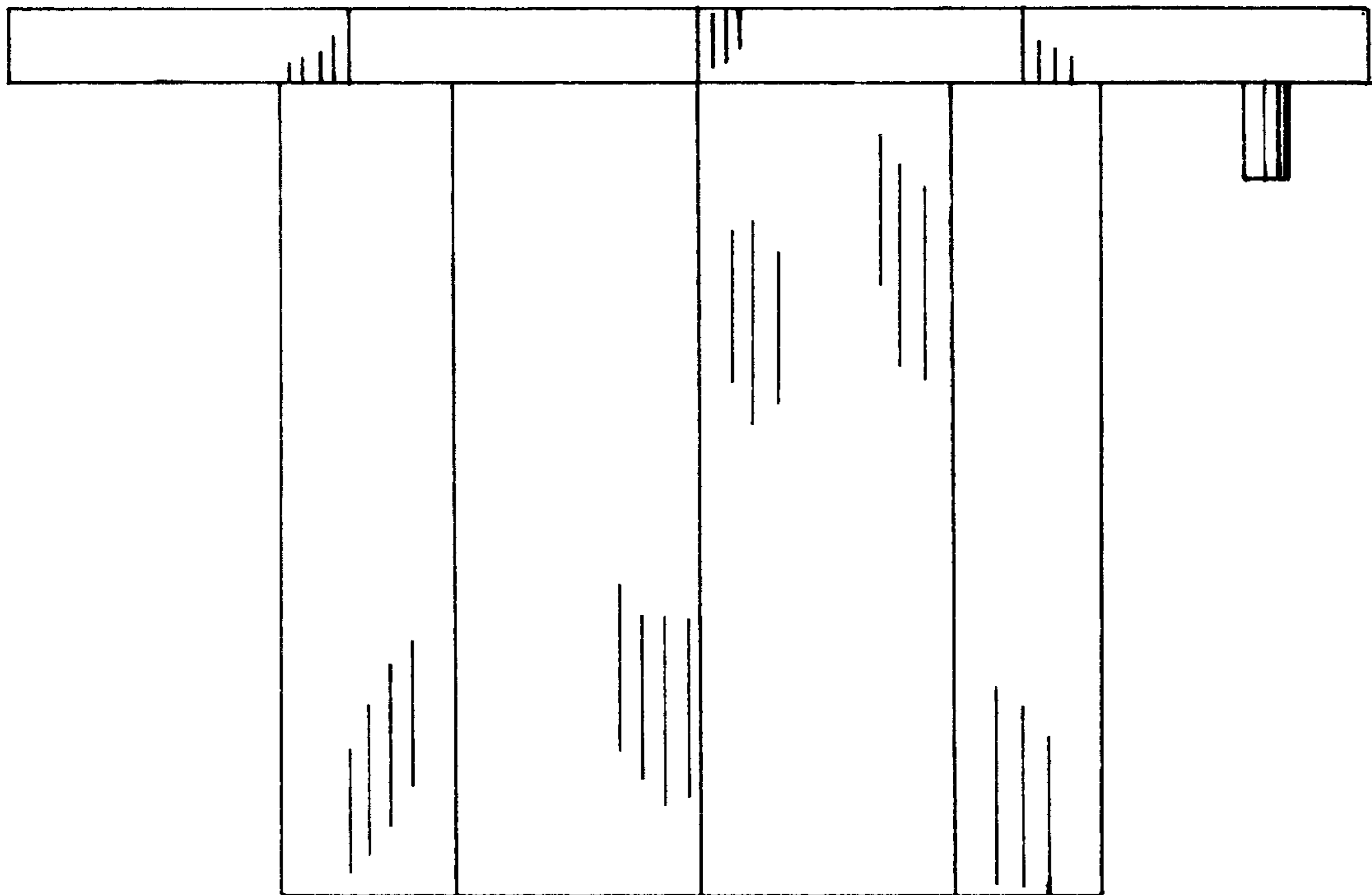


FIG. 4

