

US00D434124S

United States Patent [19] McKeone

[11] **Patent Number: Des. 434,124**

[45] **Date of Patent: ** Nov. 21, 2000**

[54] **LAVATORY**

[75] Inventor: **William C. McKeone**, Sheboygan, Wis.

[73] Assignee: **Kohler Co.**, Kohler, Wis.

[**] Term: **14 Years**

[21] Appl. No.: **29/114,702**

[22] Filed: **Nov. 30, 1999**

[51] **LOC (7) Cl. 23-02**

[52] **U.S. Cl. D23/284**

[58] **Field of Search D23/284, 293.1;
4/619, 660**

[56] **References Cited**

U.S. PATENT DOCUMENTS

D. 202,410	9/1965	Sundberg et al.	D4/2
D. 258,906	4/1981	Doman	D23/2
D. 293,930	1/1988	Reid	D23/292
D. 328,338	7/1992	Ragonot	D23/284
D. 390,928	2/1998	Slothower	D23/284

OTHER PUBLICATIONS

Undated Globo catalog ad showing a pedestal lavatory.
1997 Kohler catalog ad, p. 15.12, showing a "Wellworth"
toilet.

Primary Examiner—Doris Clark
Attorney, Agent, or Firm—Quarles & Brady LLP

[57] **CLAIM**

The ornamental design for a lavatory, as shown and described.

DESCRIPTION

In a preferred embodiment, the nature of this product is as a plumbing fixture mountable on a pedestal and primarily useful for washing the face and hands of humans.

FIG. 1 is a left, top, front perspective view of a lavatory embodying my new design;

FIG. 2 is a top plan view thereof;

FIG. 3 is a front elevational view thereof;

FIG. 4 is a right side elevational view thereof, the left side elevational view being identical to the right side shown;

FIG. 5 is a rear elevational view thereof;

FIG. 6 is a cross-sectional view thereof taken along line 6—6 of FIG. 2; and,

FIG. 7 is a bottom plan view thereof.

The broken line representations of holes in FIGS. 1 and 2 are for the purpose of illustration only, and form no part of the claimed design.

1 Claim, 3 Drawing Sheets

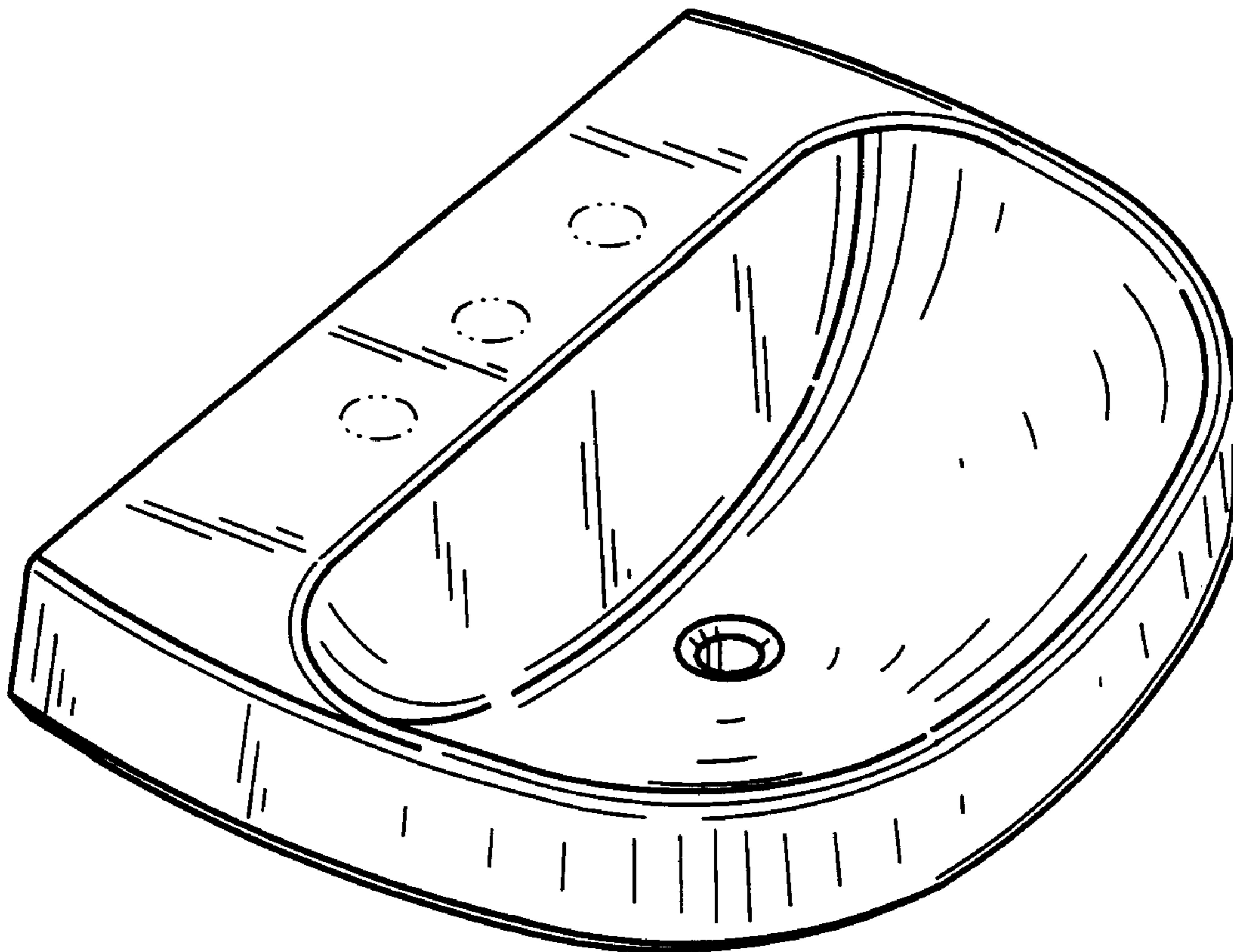


FIG. 1

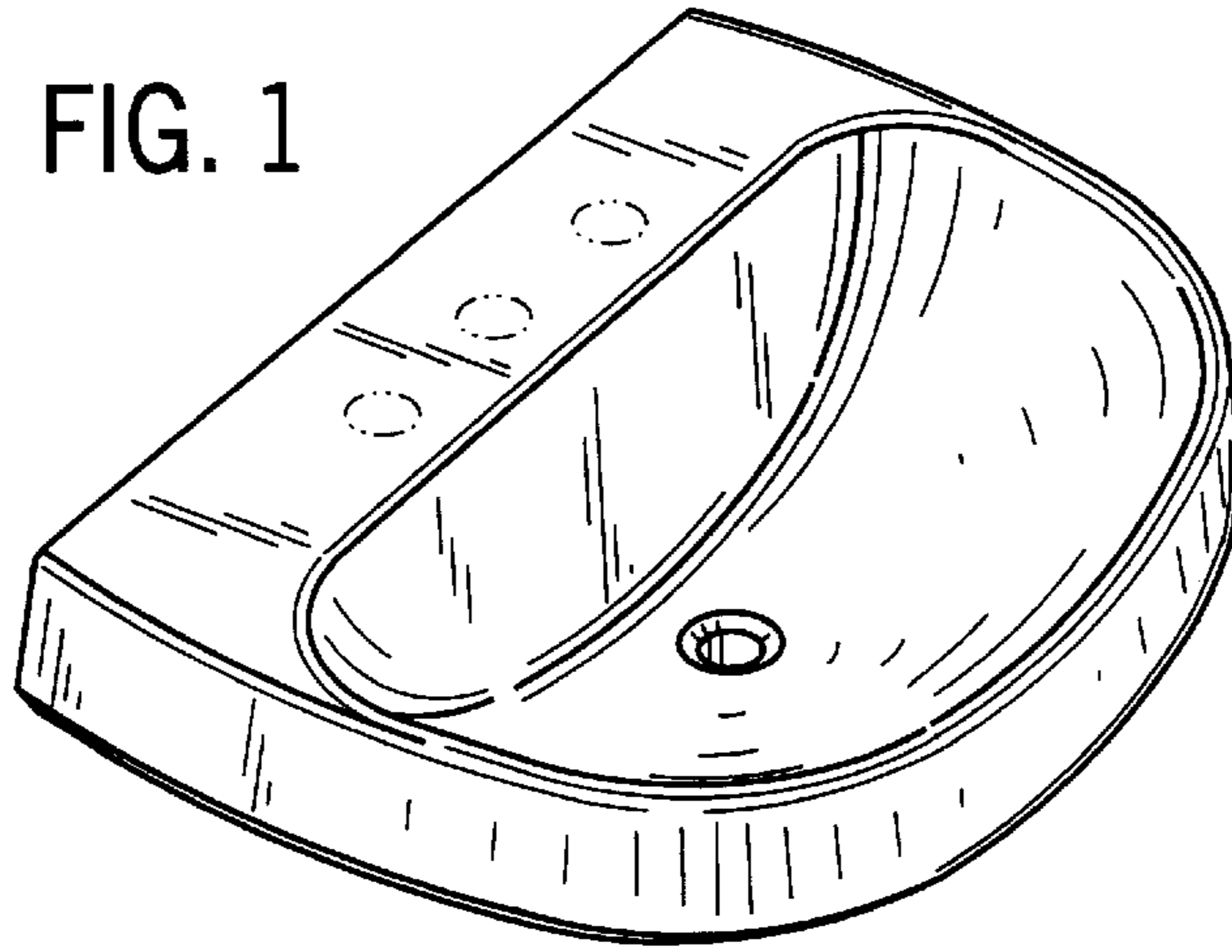


FIG. 2

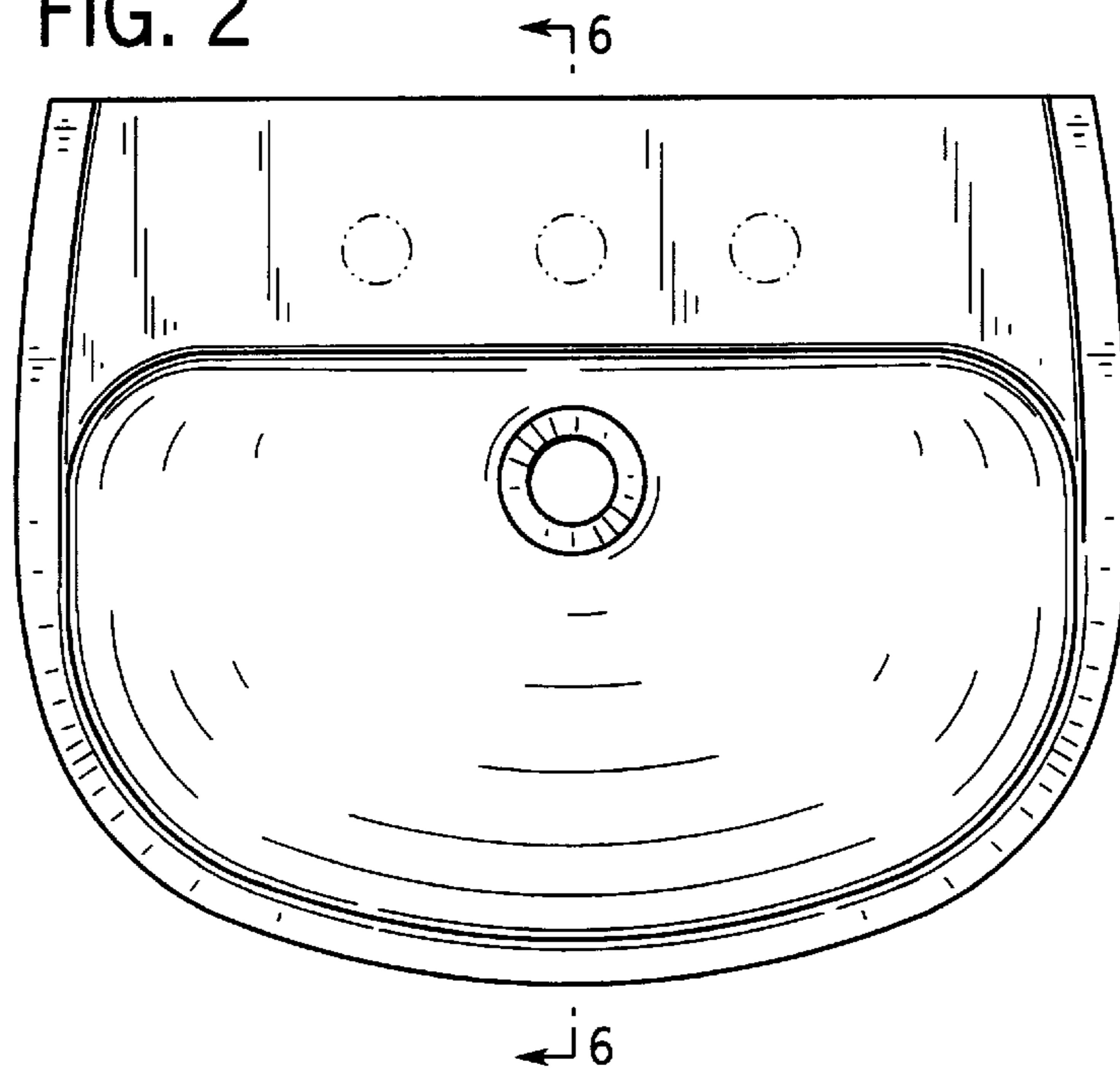


FIG. 3

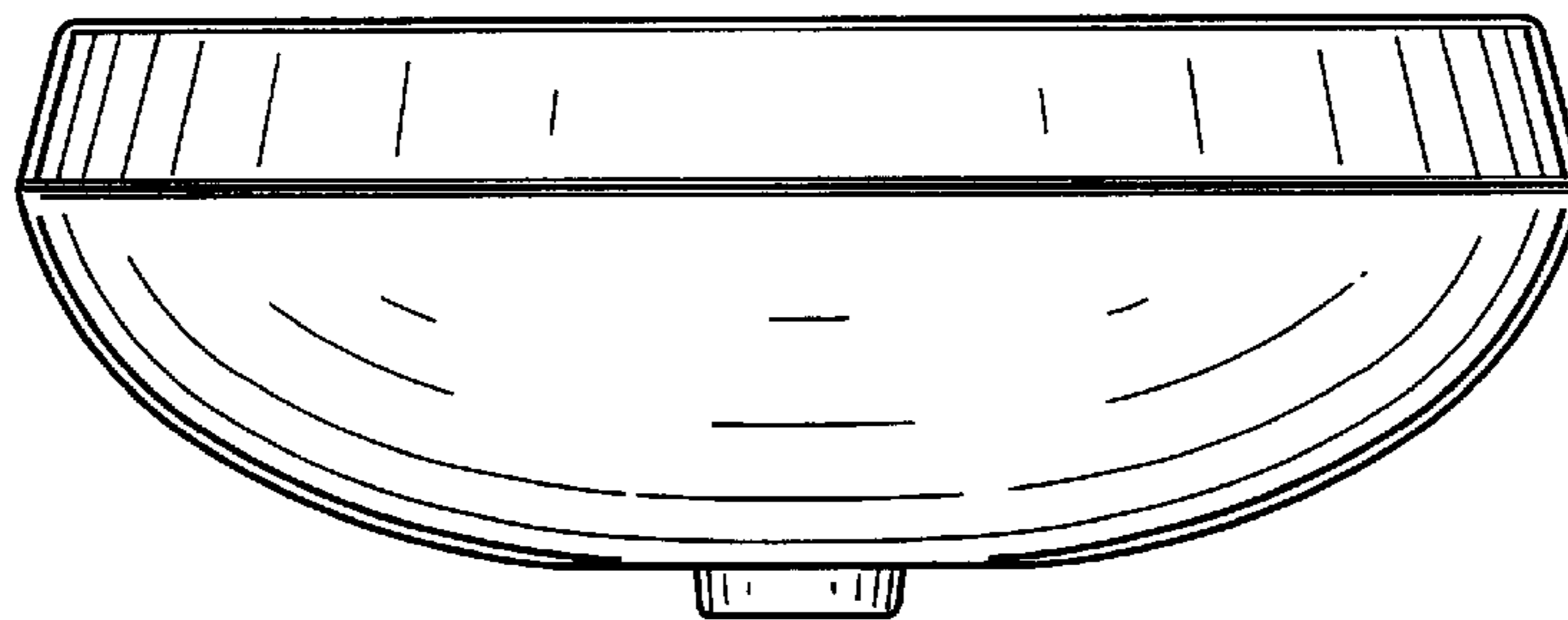


FIG. 4

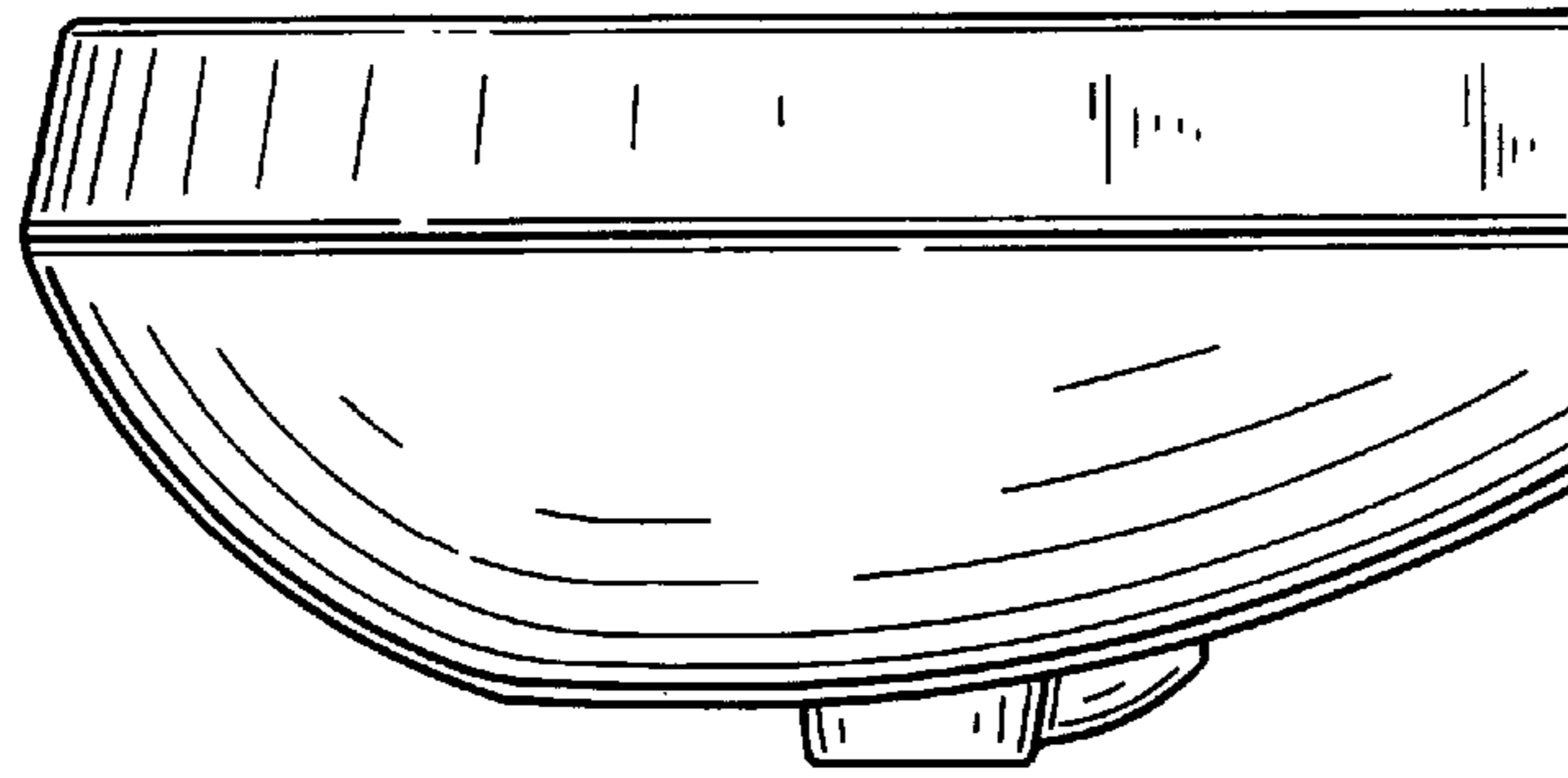


FIG. 5

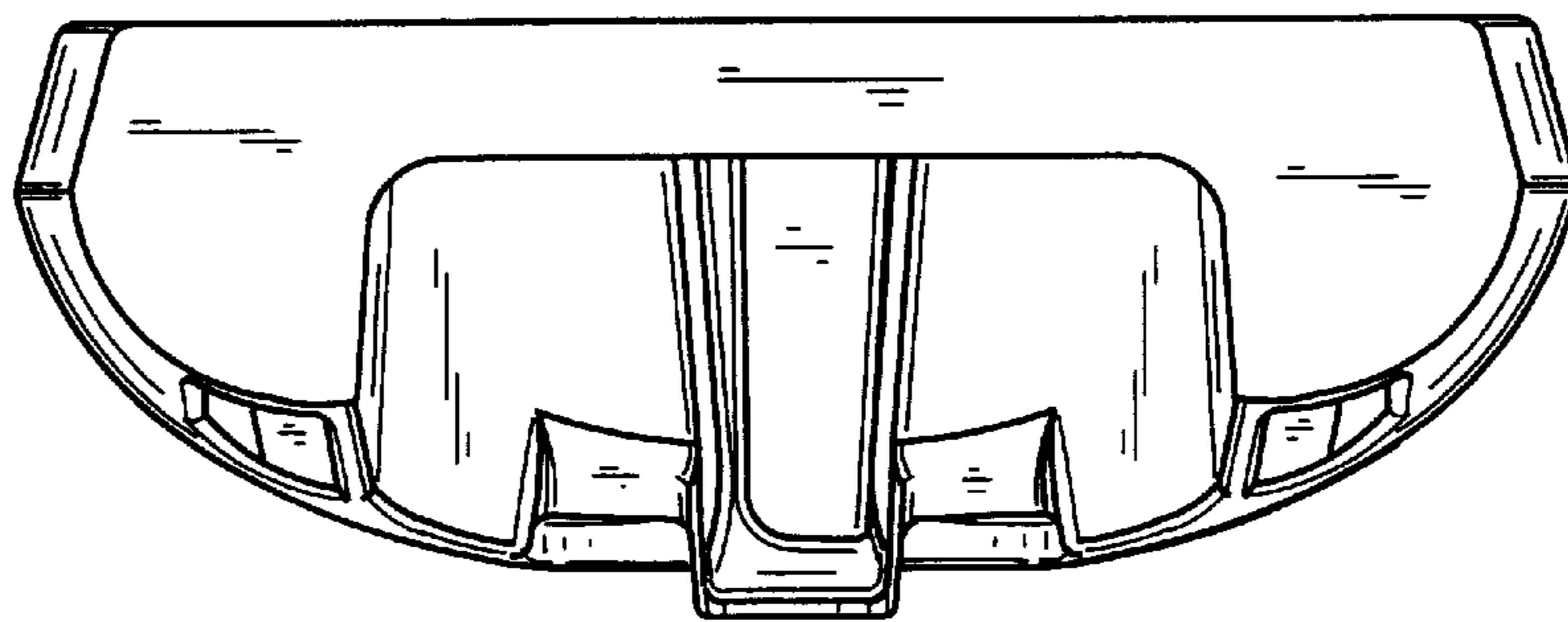


FIG. 6

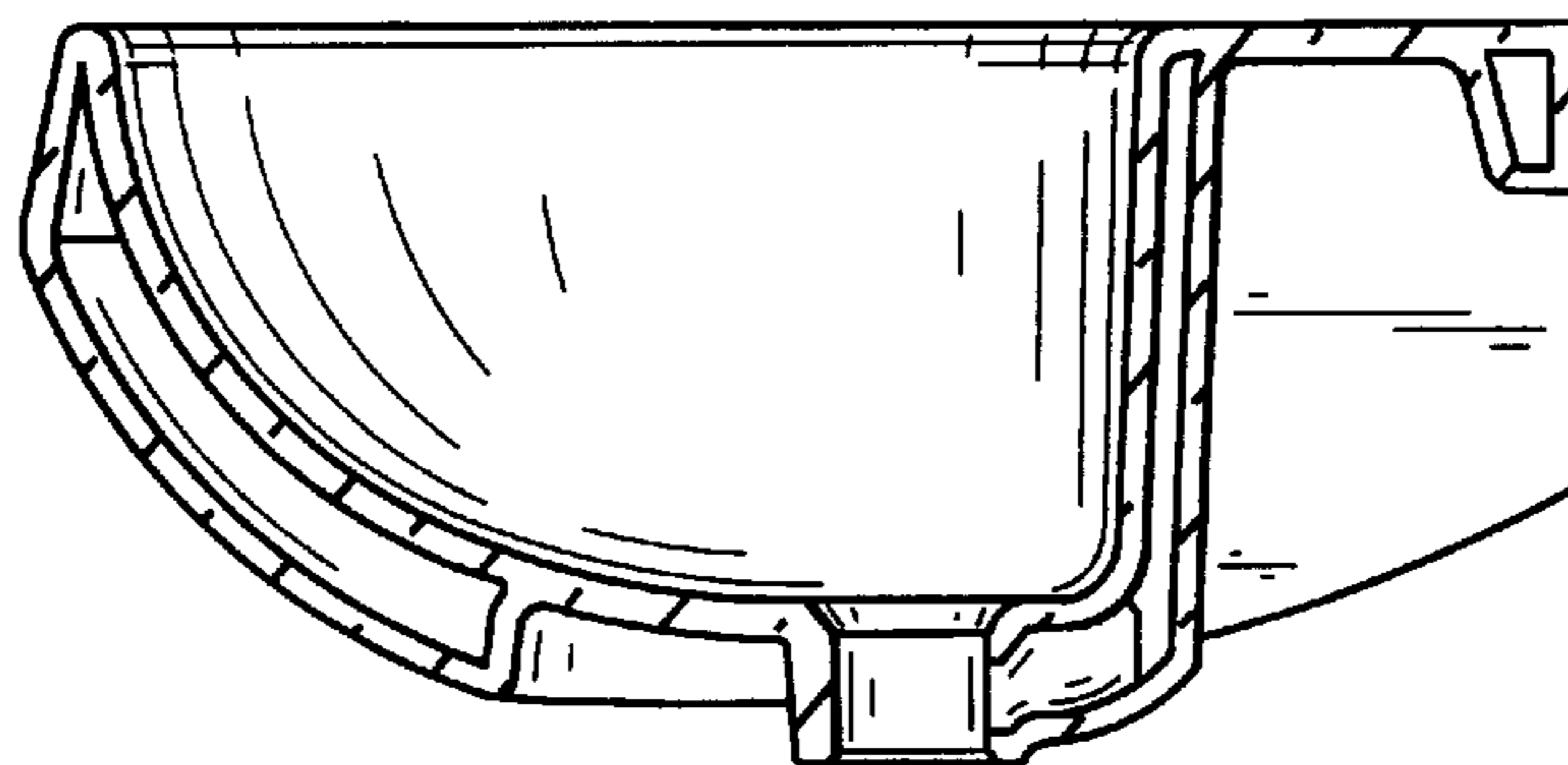


FIG. 7

