



US00D434123S

United States Patent [19]

[11] **Patent Number: Des. 434,123**

Missick et al.

[45] **Date of Patent: ** Nov. 21, 2000**

[54] **CURB PROTECTOR FOR ROOF DRAINS**

Primary Examiner—Alan P. Douglas
Assistant Examiner—Reid Hecker
Attorney, Agent, or Firm—James G. O’Neill

[76] Inventors: **Gregory Missick**, 5362 Bolsa Ave., Suite C, H.B.; **Brent W. Chapman**, 4771 Pearce St., Huntington Bch, both of Calif. 92649

[57] **CLAIM**

[**] Term: **14 Years**

The ornamental design for a curb protector for roof drains, as shown and described.

[21] Appl. No.: **29/105,506**

DESCRIPTION

[22] Filed: **May 27, 1999**

FIG. 1 is an isometric view of a first embodiment of our curb protector for roof drains, illustrating our new design; FIG. 2 is a cross sectional view taken along line 2—2 of FIG. 1; FIG. 3 is a front elevational view of FIG. 1; FIG. 4 is a rear elevational view of FIG. 1; FIG. 5 is a side elevational view of FIG. 1; the other side view being a mirror image thereof; FIG. 6 is a top plan view of FIG. 1; and, FIG. 7 is a bottom plan view of FIG. 1. The broken line showing of a curb in FIG. 1 for illustrative purposes only, and forms no part of the claimed design.

[51] **LOC (7) Cl.** **23-01**

[52] **U.S. Cl.** **D23/261**

[58] **Field of Search** D23/261, 388; 249/10; 404/4, 5, 7, 8

[56] **References Cited**

U.S. PATENT DOCUMENTS

714,185	11/1902	Jackson et al.	404/4
1,978,491	10/1934	Gladman	404/7
4,549,833	10/1985	Ferns	404/4
4,637,585	1/1987	Picollo	249/10

1 Claim, 3 Drawing Sheets

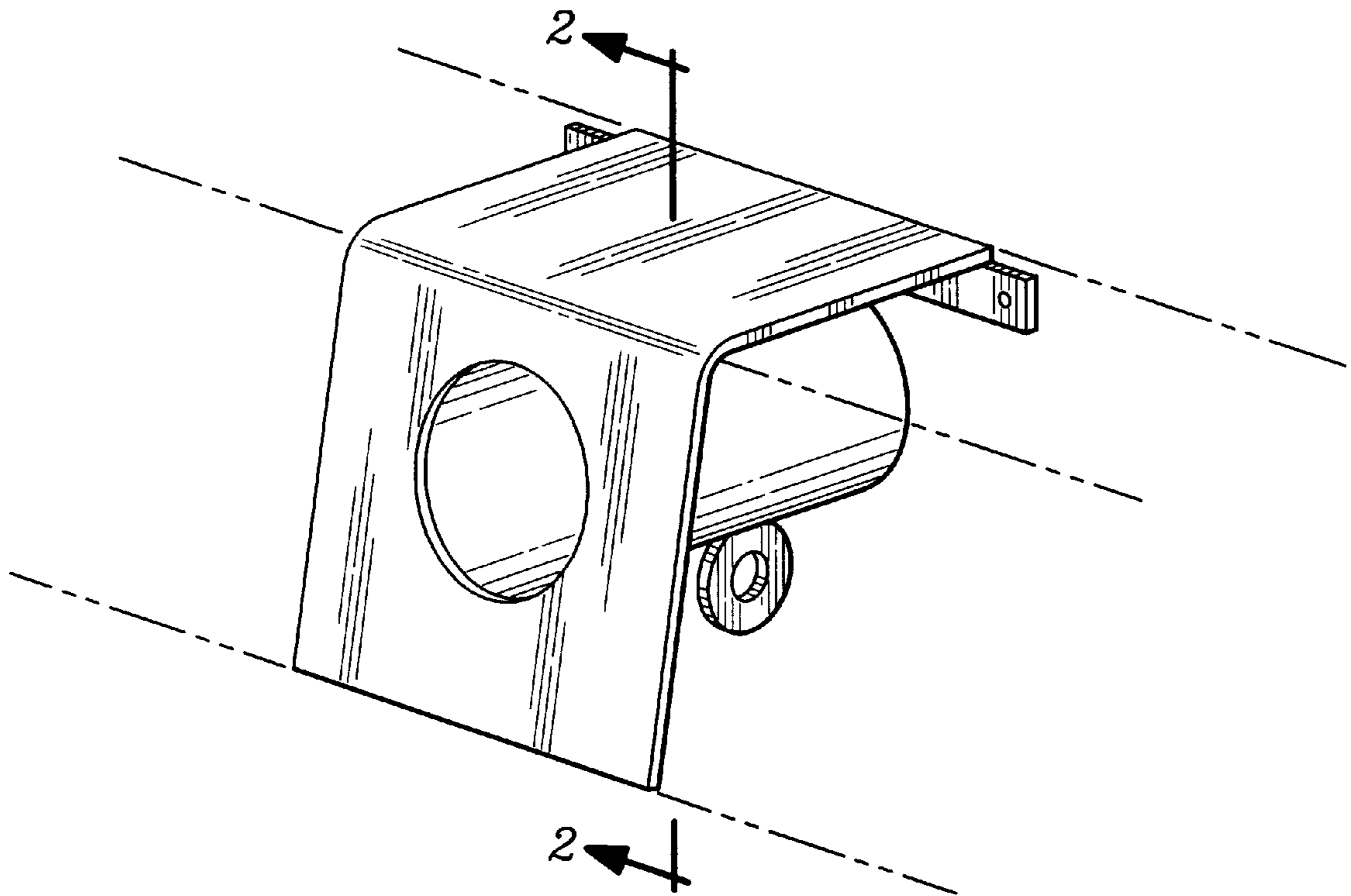


Fig. 1

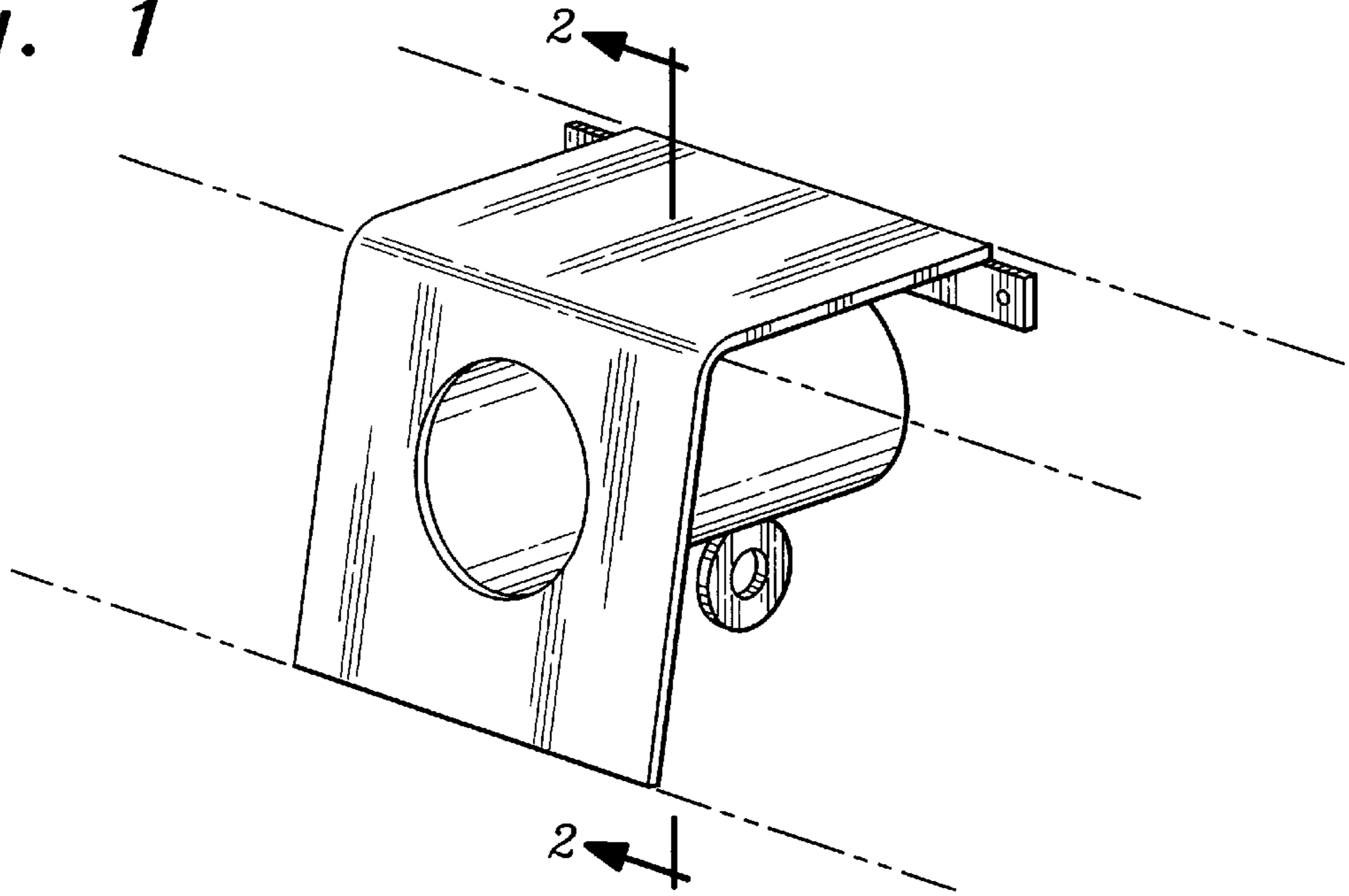


Fig. 2

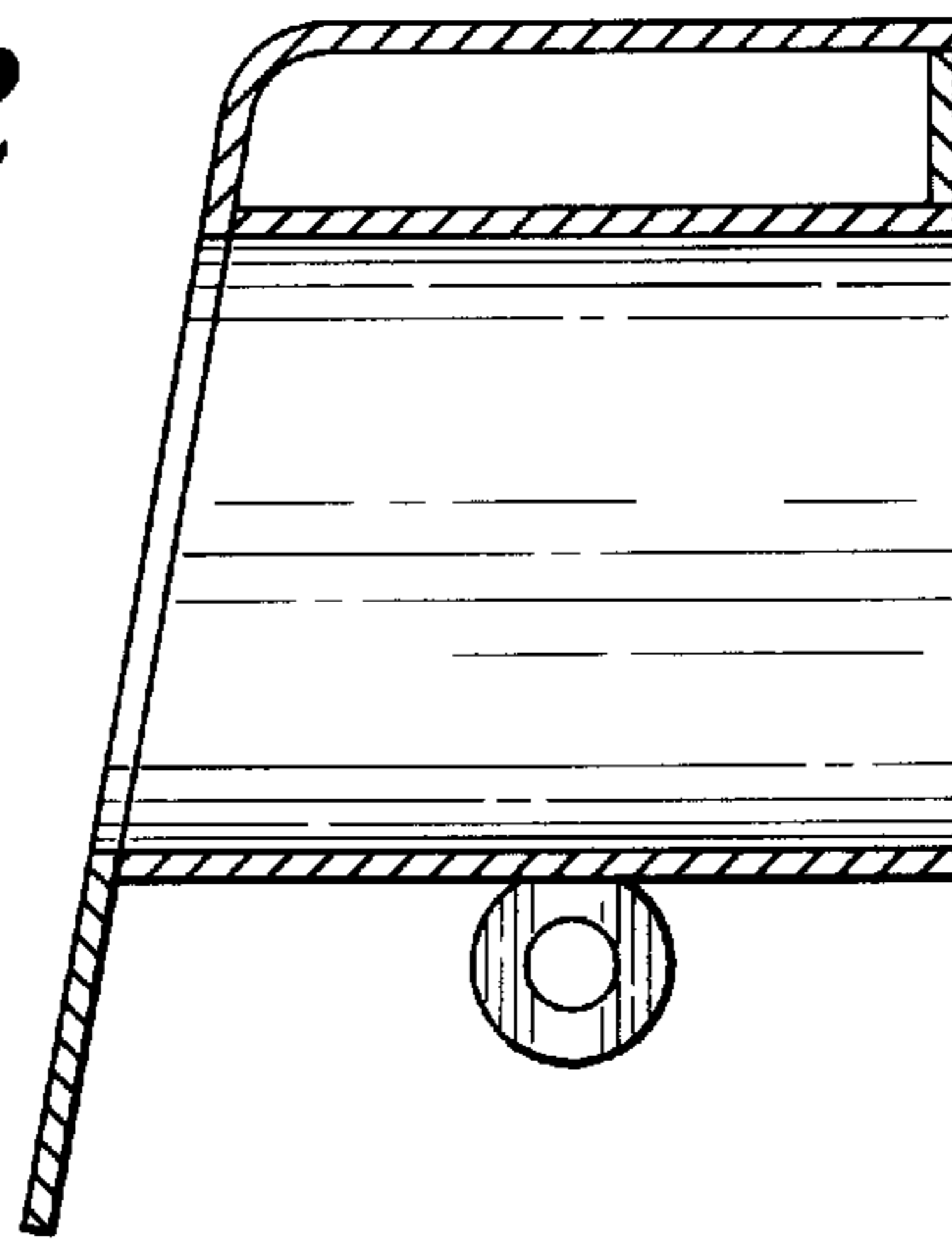


Fig. 3

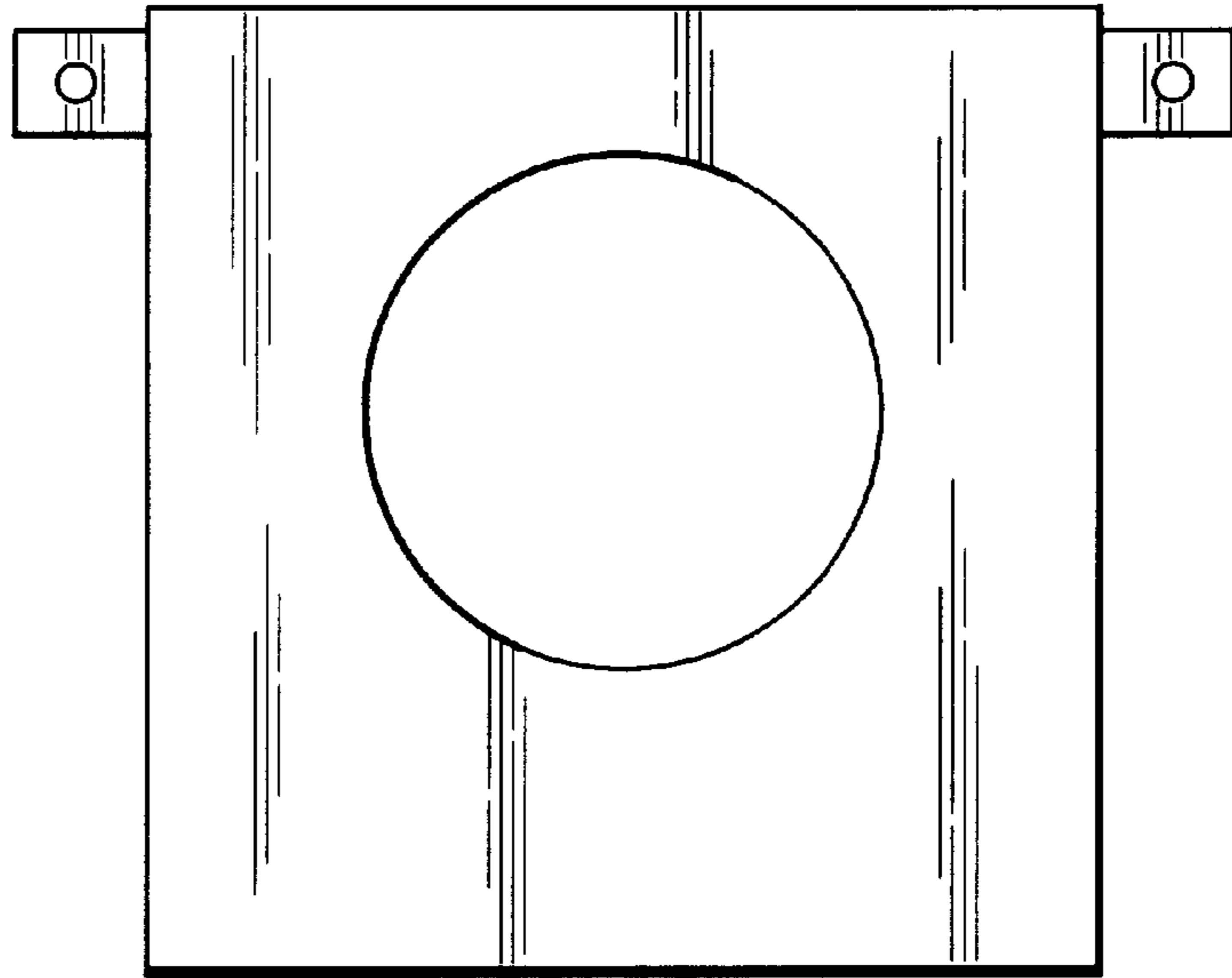


Fig. 4

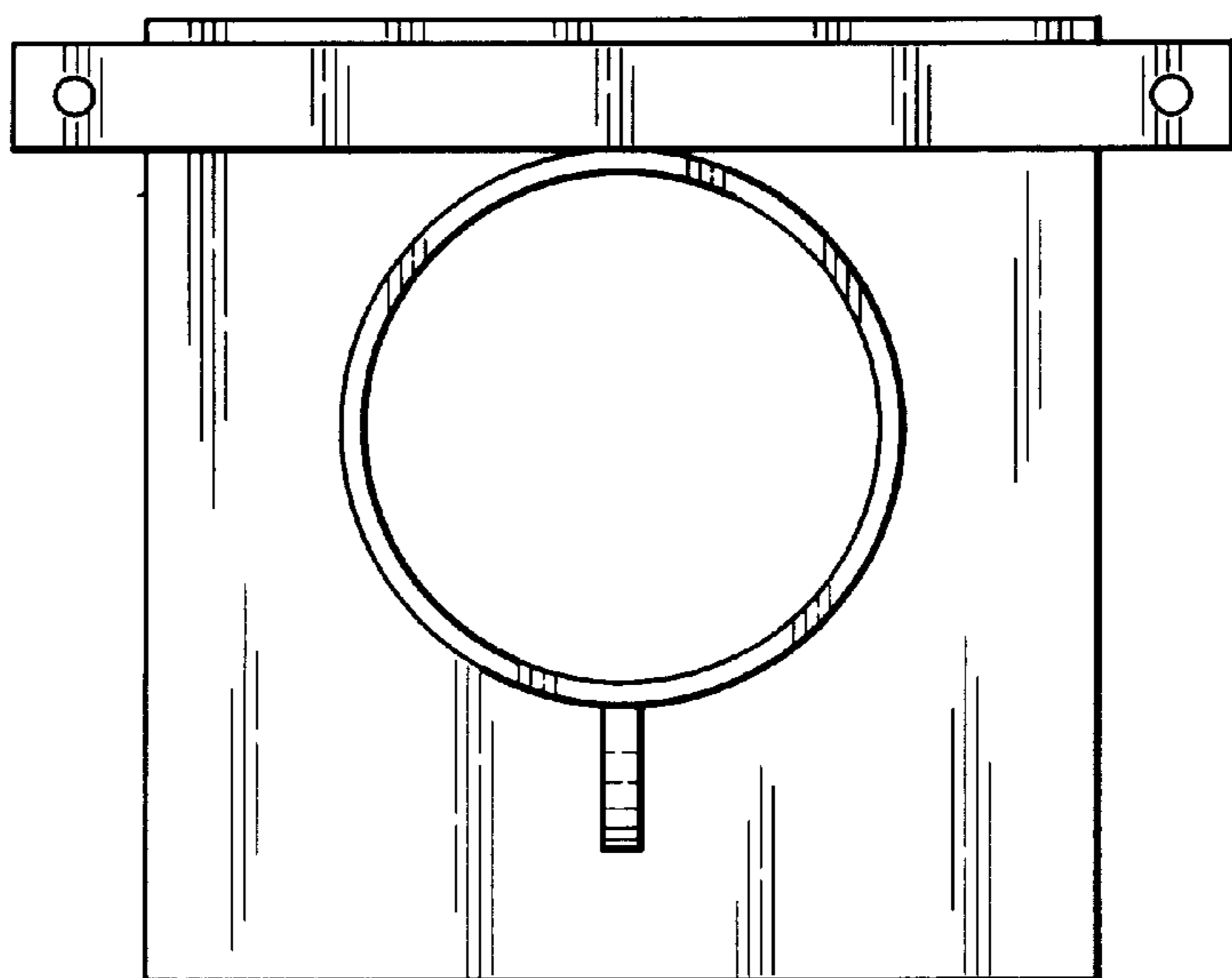


Fig. 5

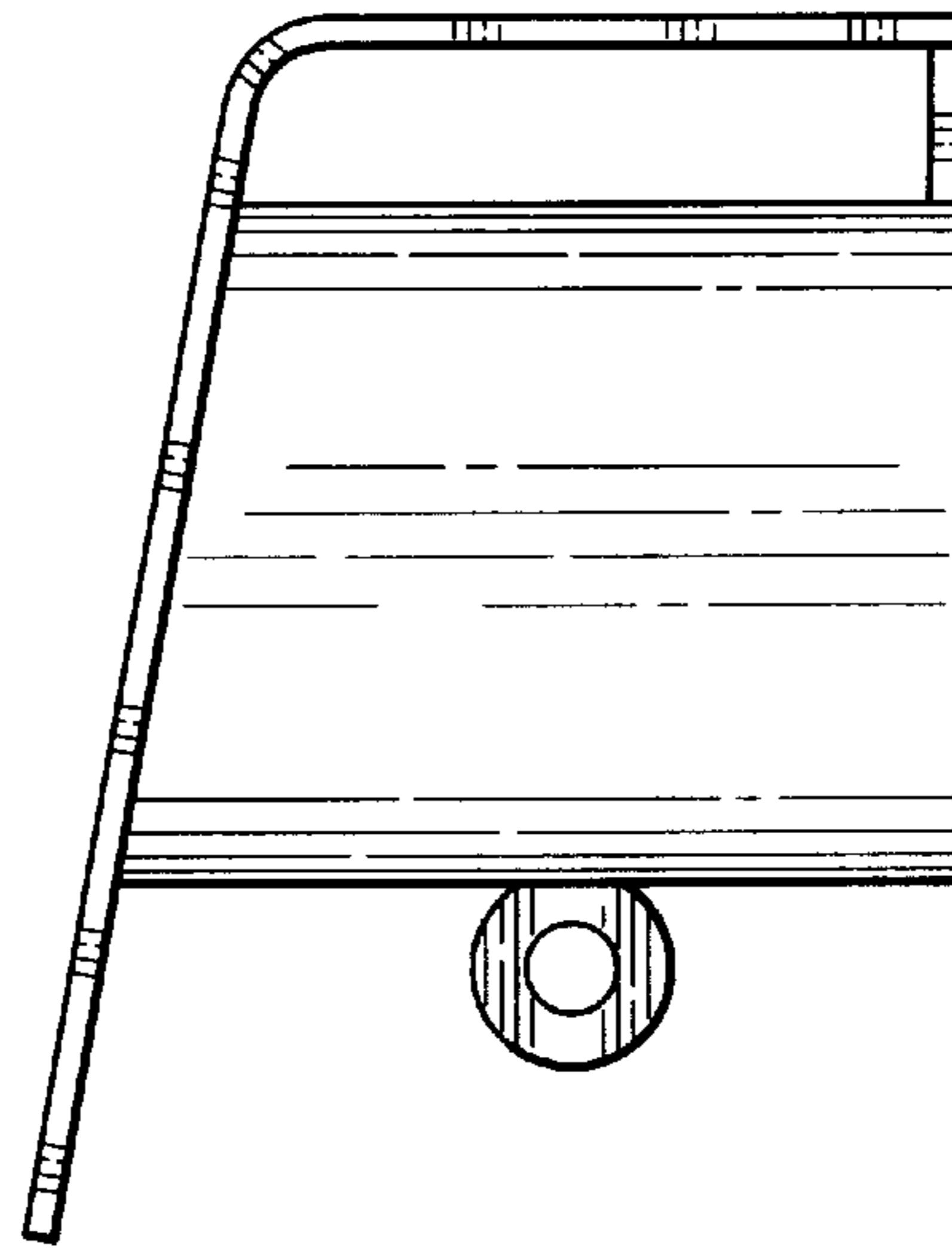


Fig. 6

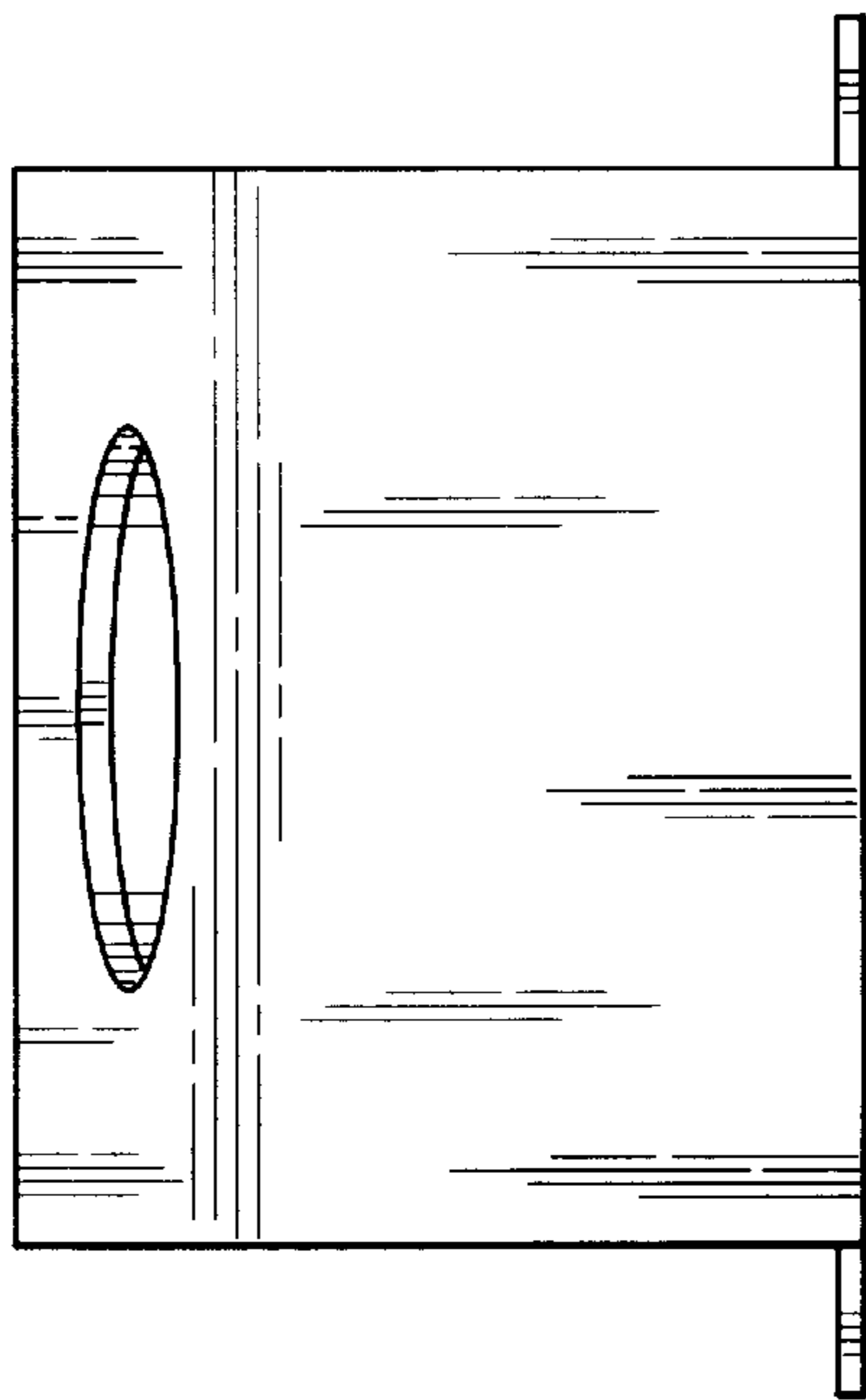


Fig. 7

