



US00D434114S

United States Patent [19]
Green et al.

[11] **Patent Number: Des. 434,114**

[45] **Date of Patent: ** Nov. 21, 2000**

[54] **FAUCET LIFT ROD KNOB**

[75] Inventors: **Eric D. Green**, Cleveland Heights;
Paul P. Kolada, Bexley; **Mark E. Mnich**; **Michael J. Painter**, both of
Columbus, all of Ohio

[73] Assignee: **Moen Incorporated**, North Olmsted,
Ohio

[**] Term: **14 Years**

[21] Appl. No.: **29/102,299**

[22] Filed: **Mar. 22, 1999**

[51] **LOC (7) Cl.** **23-01**

[52] **U.S. Cl.** **D23/252**

[58] **Field of Search** D23/238-243,
D23/250-257; D8/300-310; 4/675-678;
16/110 R-121

[56] **References Cited**

U.S. PATENT DOCUMENTS

- D. 99,251 4/1936 Tjaarda .
- D. 140,556 3/1945 Stanitz .
- D. 254,147 2/1980 Colani D23/252

- D. 284,886 7/1986 Joerger .
- D. 317,646 6/1991 Yost .
- D. 318,097 7/1991 Sieger .
- D. 324,412 3/1992 Bonnell D23/252
- D. 354,337 1/1995 Formgren .
- D. 398,039 9/1998 Ku D23/252
- D. 398,378 9/1998 Lord D23/252

Primary Examiner—Eric Watterson
Attorney, Agent, or Firm—Dorn, McEachran, Jambor &
Keating

[57] **CLAIM**

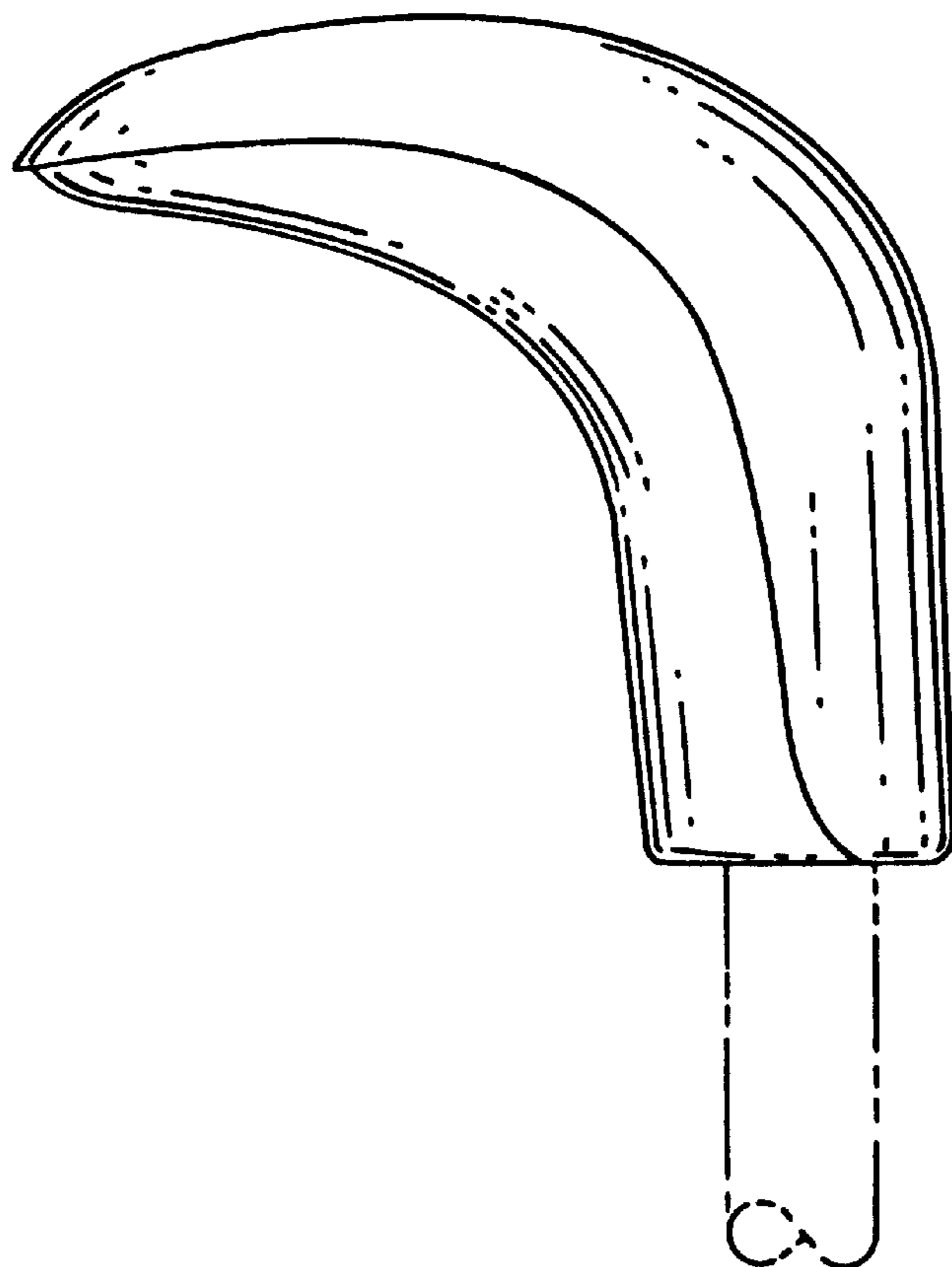
The ornamental design for a faucet lift rod knob, as shown and described.

DESCRIPTION

FIG. 1 is a right side view of a faucet lift rod knob showing our new design, the left side thereof being a mirror image; FIG. 2 is a front view thereof; FIG. 3 is a rear view thereof; FIG. 4 is a top view thereof; and, FIG. 5 is a bottom view thereof.

The broken line showing is for illustrative purposes only and forms no part of the claimed design.

1 Claim, 1 Drawing Sheet



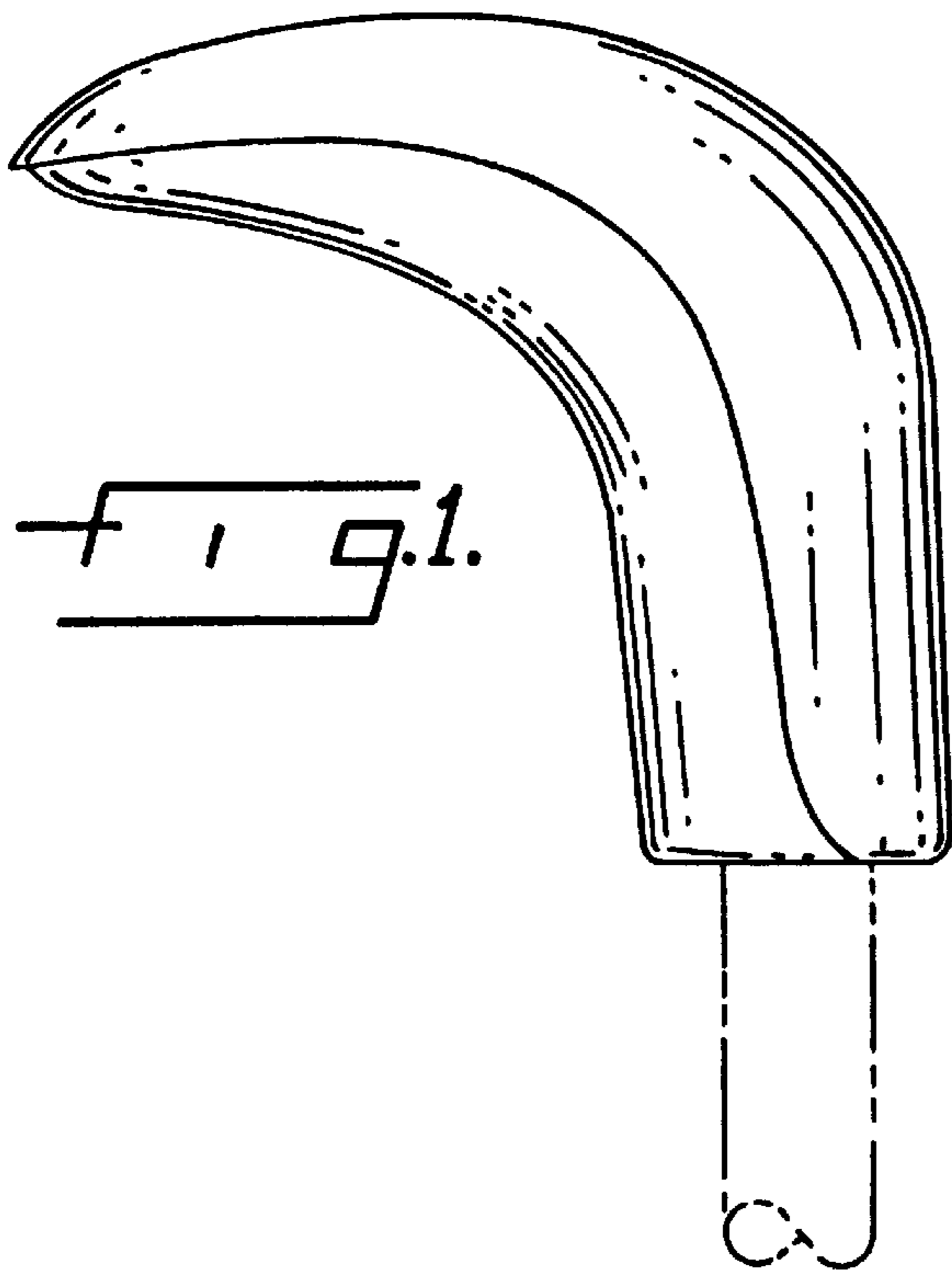


Fig. 1.

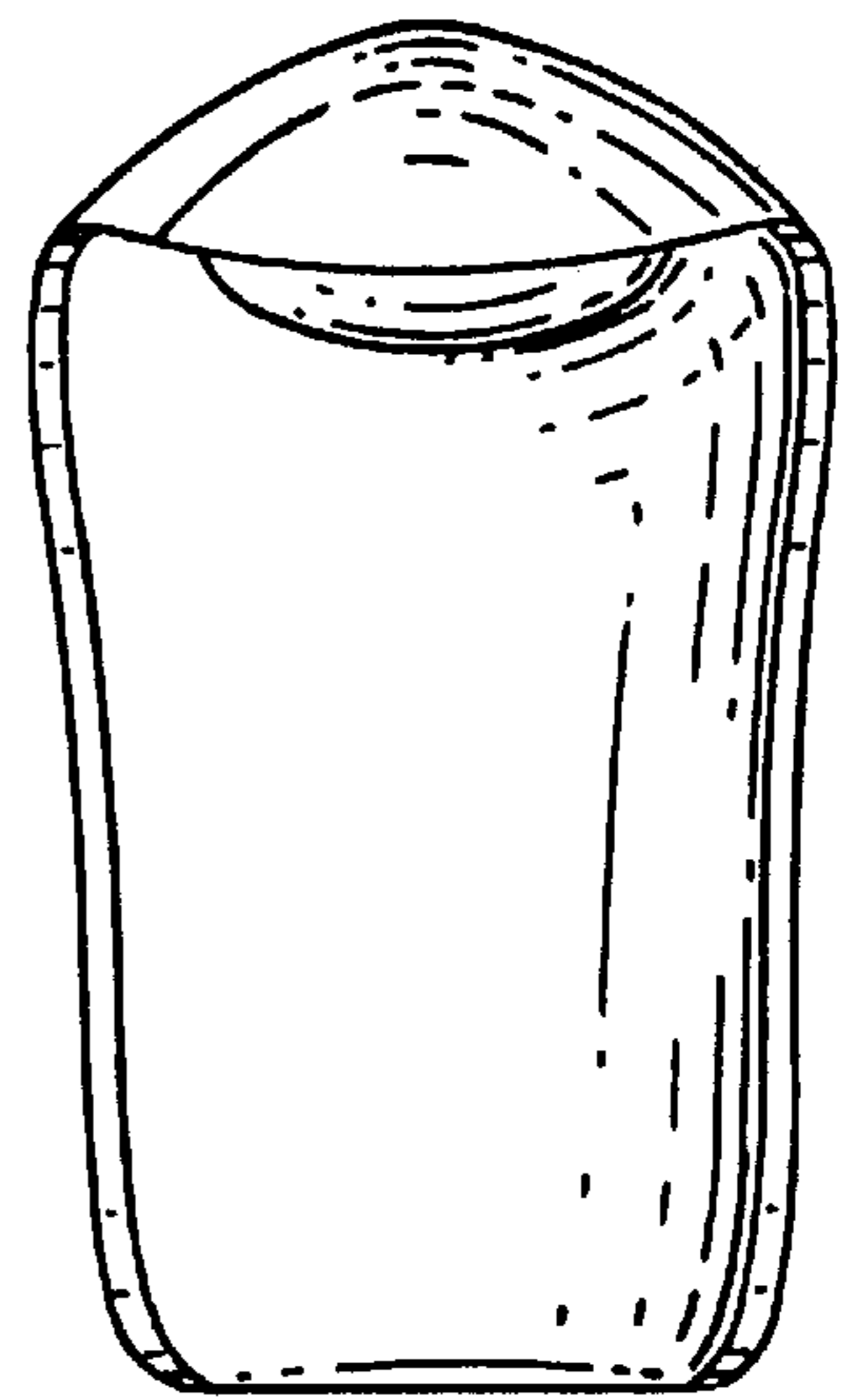


Fig. 2.

Fig. 4.

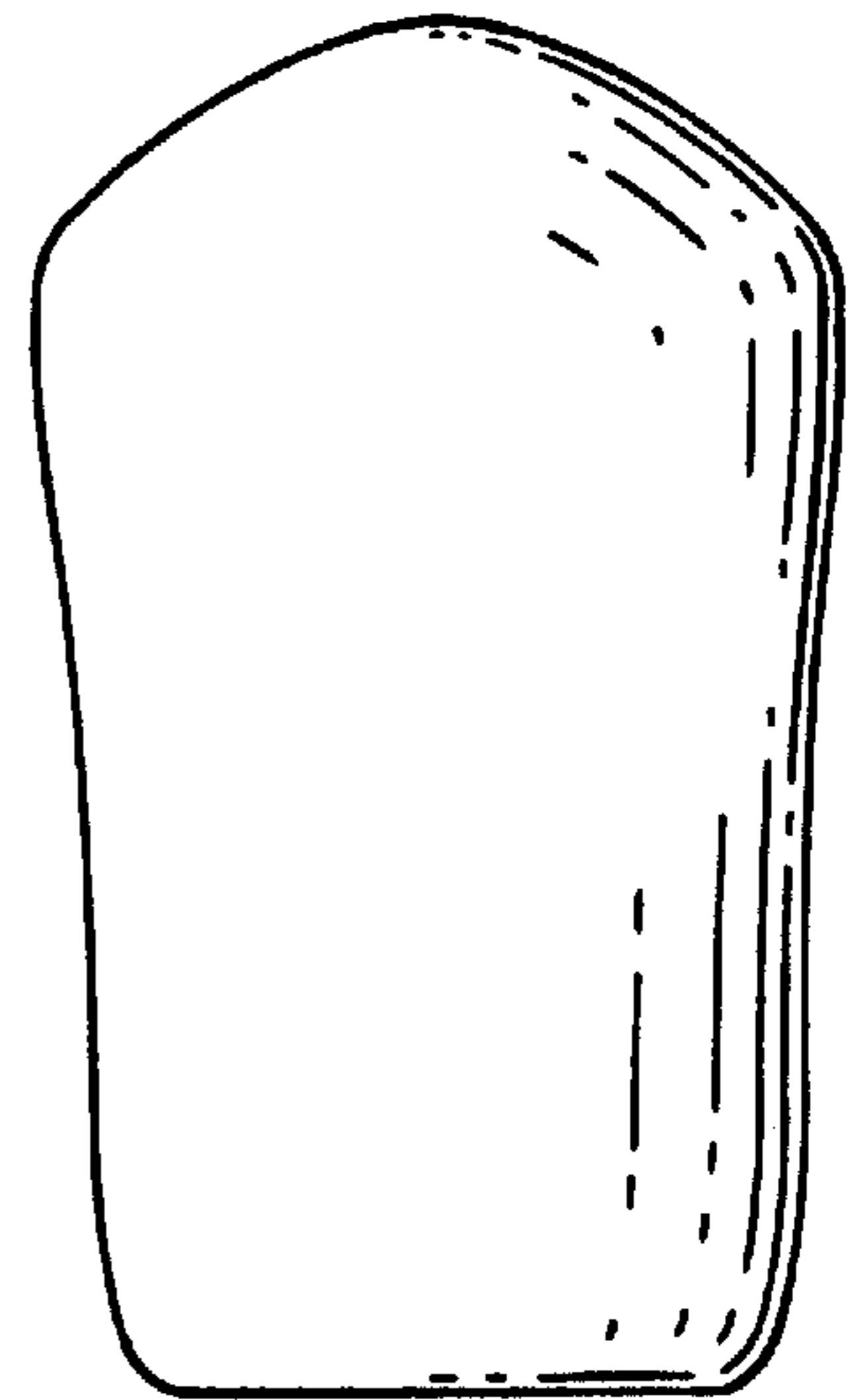
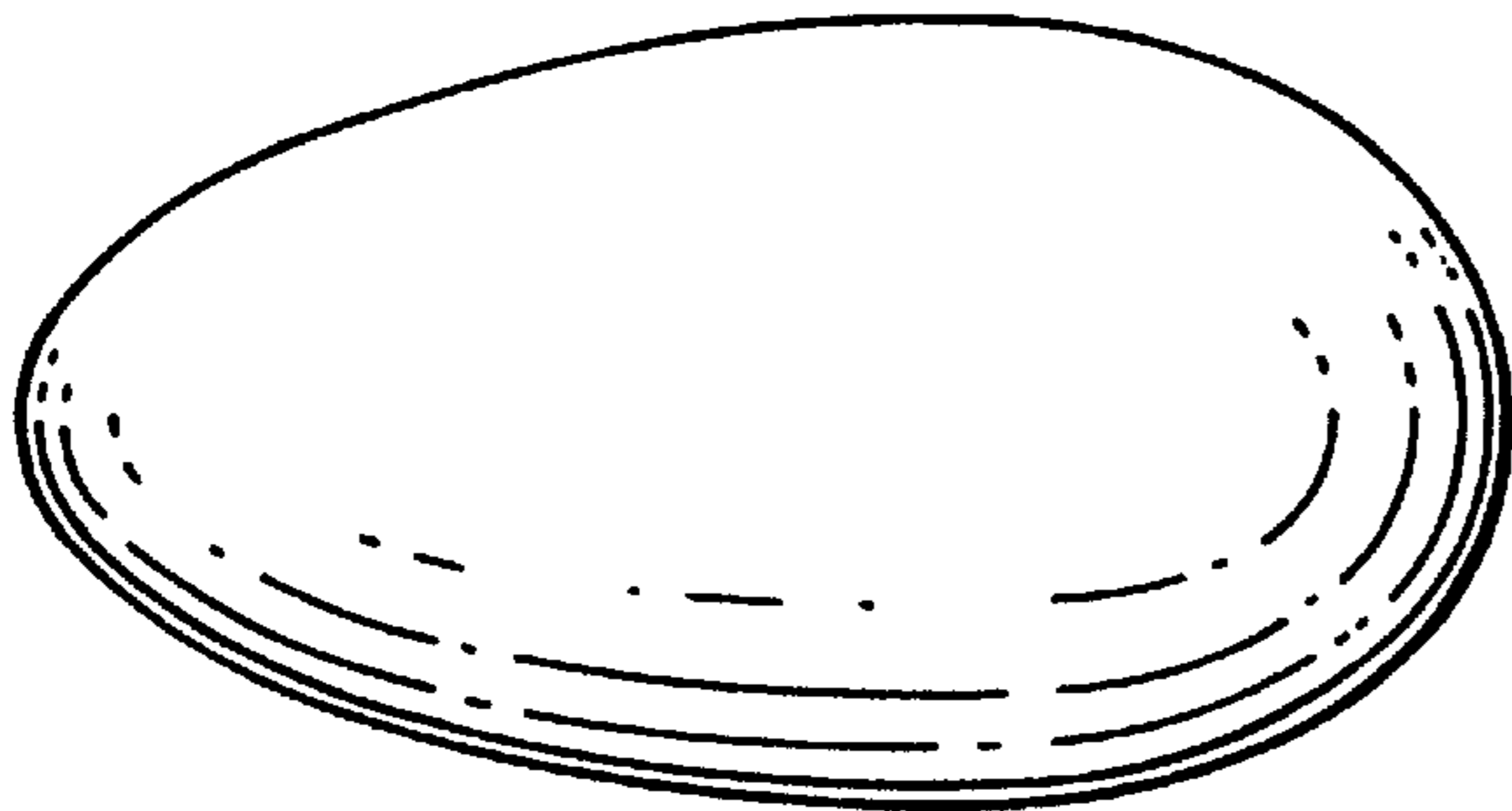


Fig. 3.

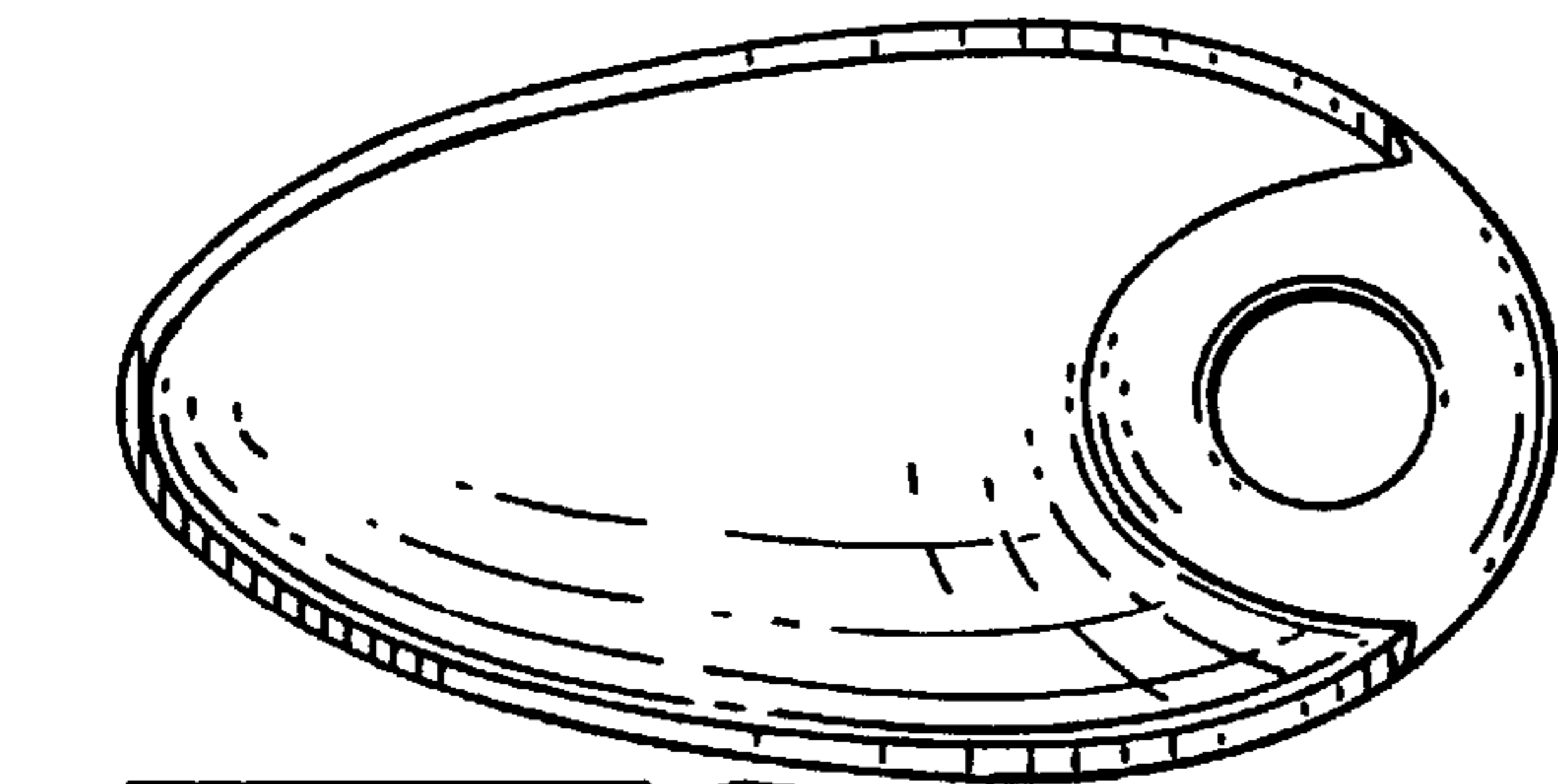


Fig. 5.