



US00D434110S

United States Patent [19] Kim

[11] **Patent Number: Des. 434,110**

[45] **Date of Patent: ** Nov. 21, 2000**

[54] **TOILET FLUSH VALVE**

[75] Inventor: **Dae-sung Kim**, Incheon, Rep. of Korea

[73] Assignee: **Royal Toto Metal Co., Ltd.**, Incheon, Rep. of Korea

[**] Term: **14 Years**

[21] Appl. No.: **29/117,144**

[22] Filed: **Jan. 19, 2000**

[30] **Foreign Application Priority Data**

Aug. 28, 1999 [KR] Rep. of Korea 99-20642

[51] **LOC (7) Cl.** **23-01**

[52] **U.S. Cl.** **D23/236; D23/245**

[58] **Field of Search** **D23/233-237, D23/245; 251/15, 17, 40; 4/422**

[56] **References Cited**

U.S. PATENT DOCUMENTS

D. 218,035 7/1970 Sloan et al. D23/236

D. 229,561 12/1973 Sloan et al. D23/236
D. 237,967 12/1975 Billeter D23/236
D. 366,929 2/1996 Allen et al. D23/236

Primary Examiner—Robin V. Taylor
Attorney, Agent, or Firm—Hedman, Gibson & Costigan, P.C.

[57] **CLAIM**

The ornamental design for a toilet flush valve, as shown and described.

DESCRIPTION

FIG. 1 is a perspective view;
FIG. 2 is a front elevation view;
FIG. 3 is a rear elevation view;
FIG. 4 is a left side elevation view;
FIG. 5 is a right side elevation view;
FIG. 6 is a top plan view; and,
FIG. 7 is a bottom plan view.

1 Claim, 7 Drawing Sheets

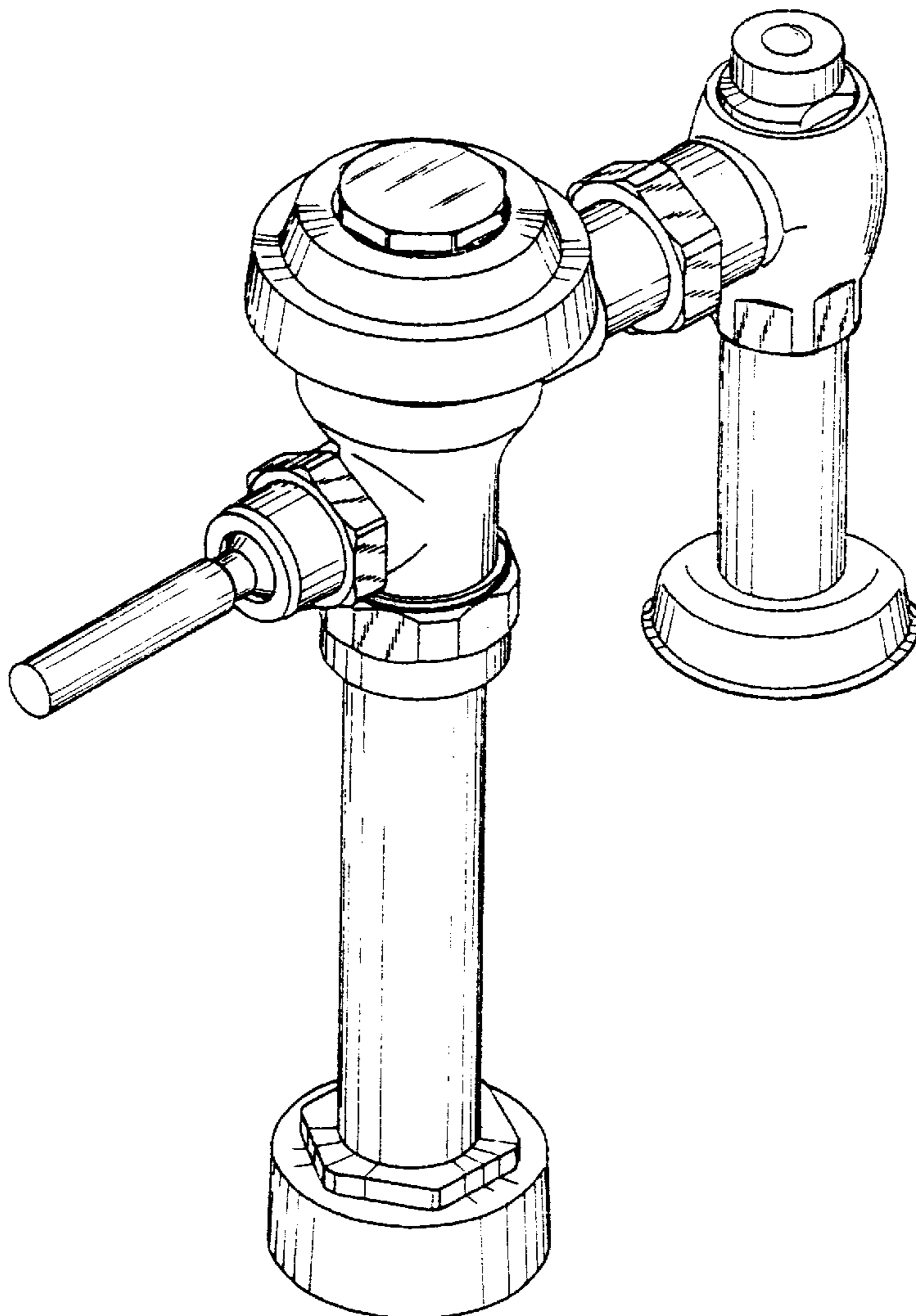


Fig. 1

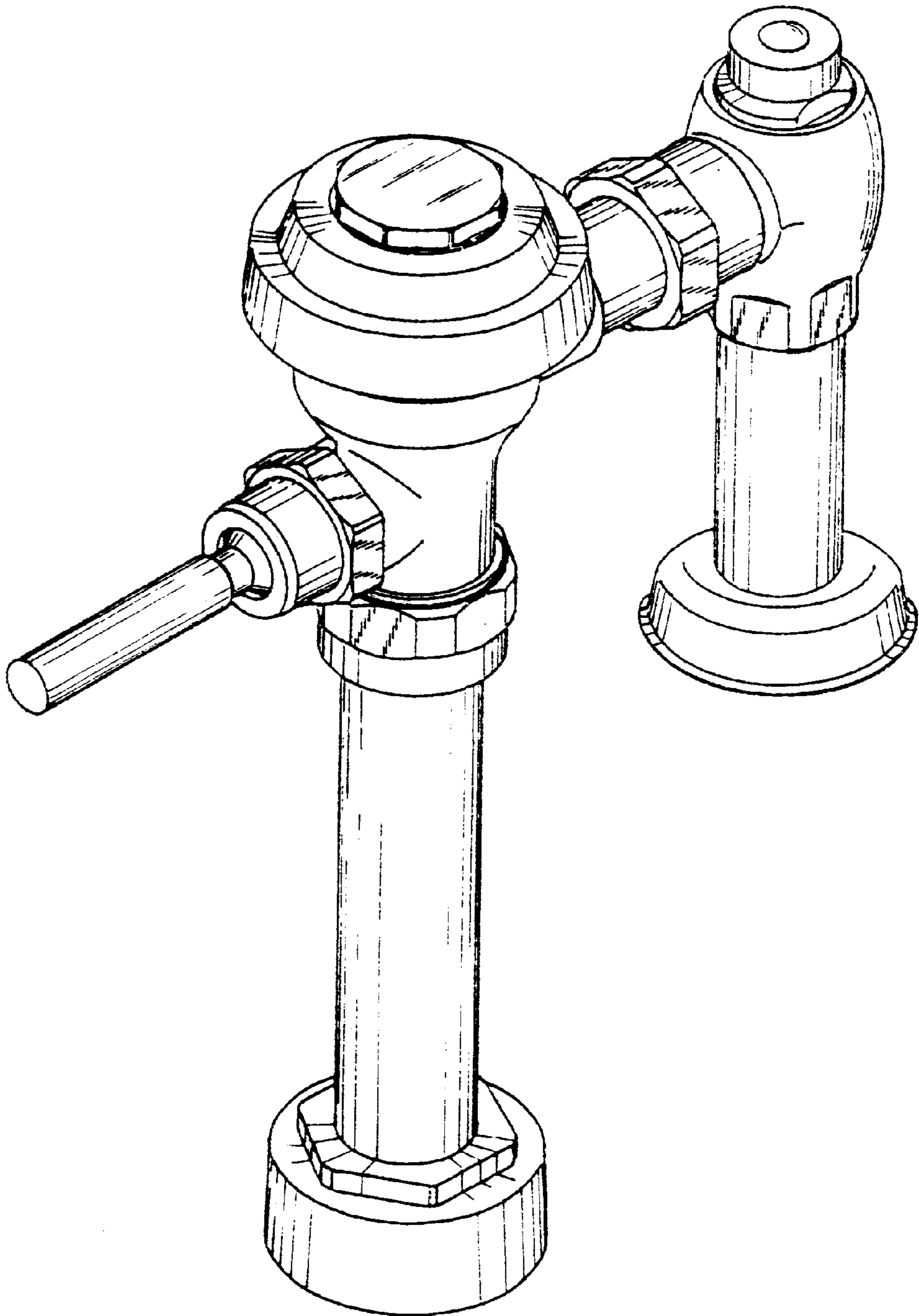


Fig. 2

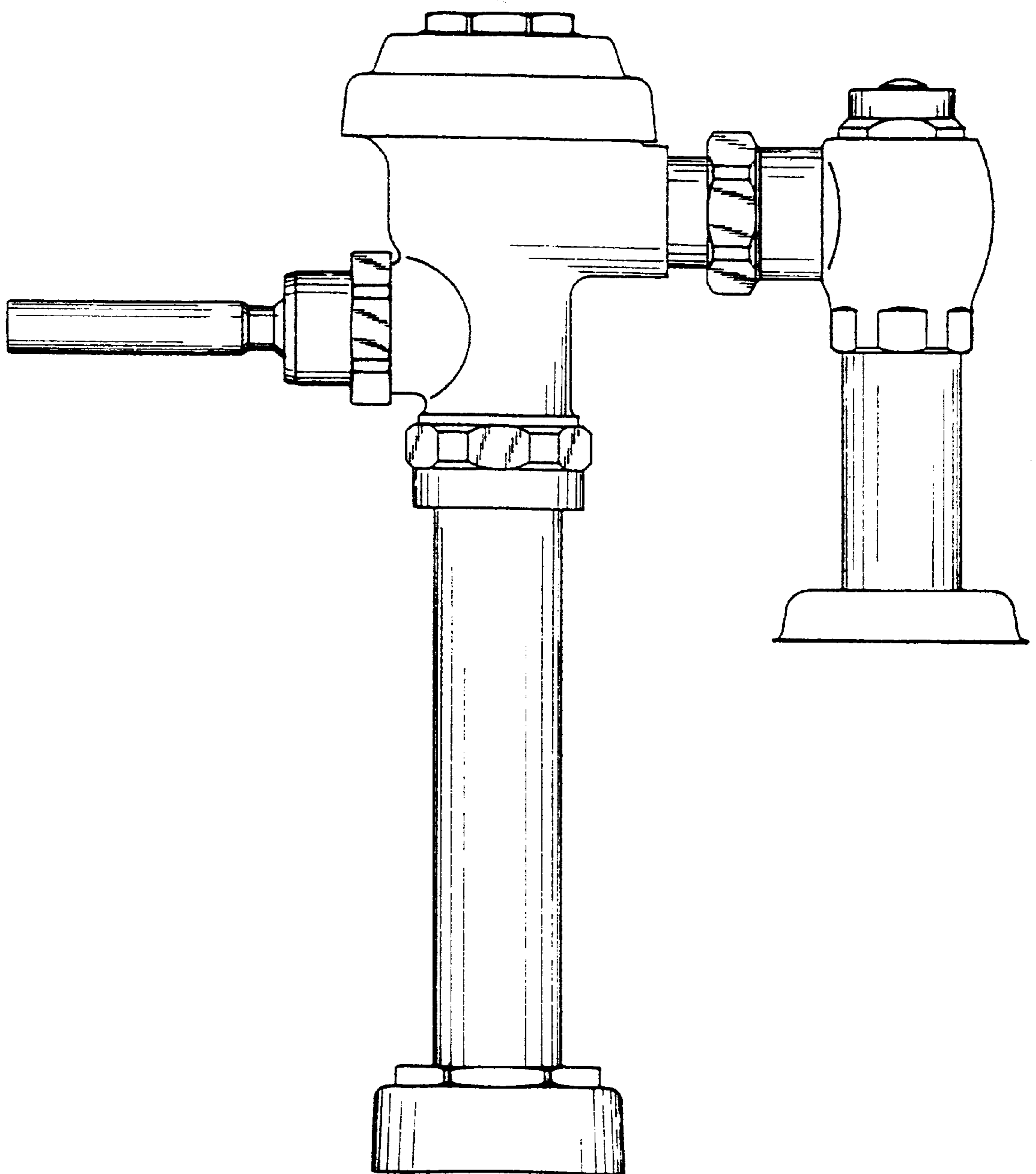


Fig. 3

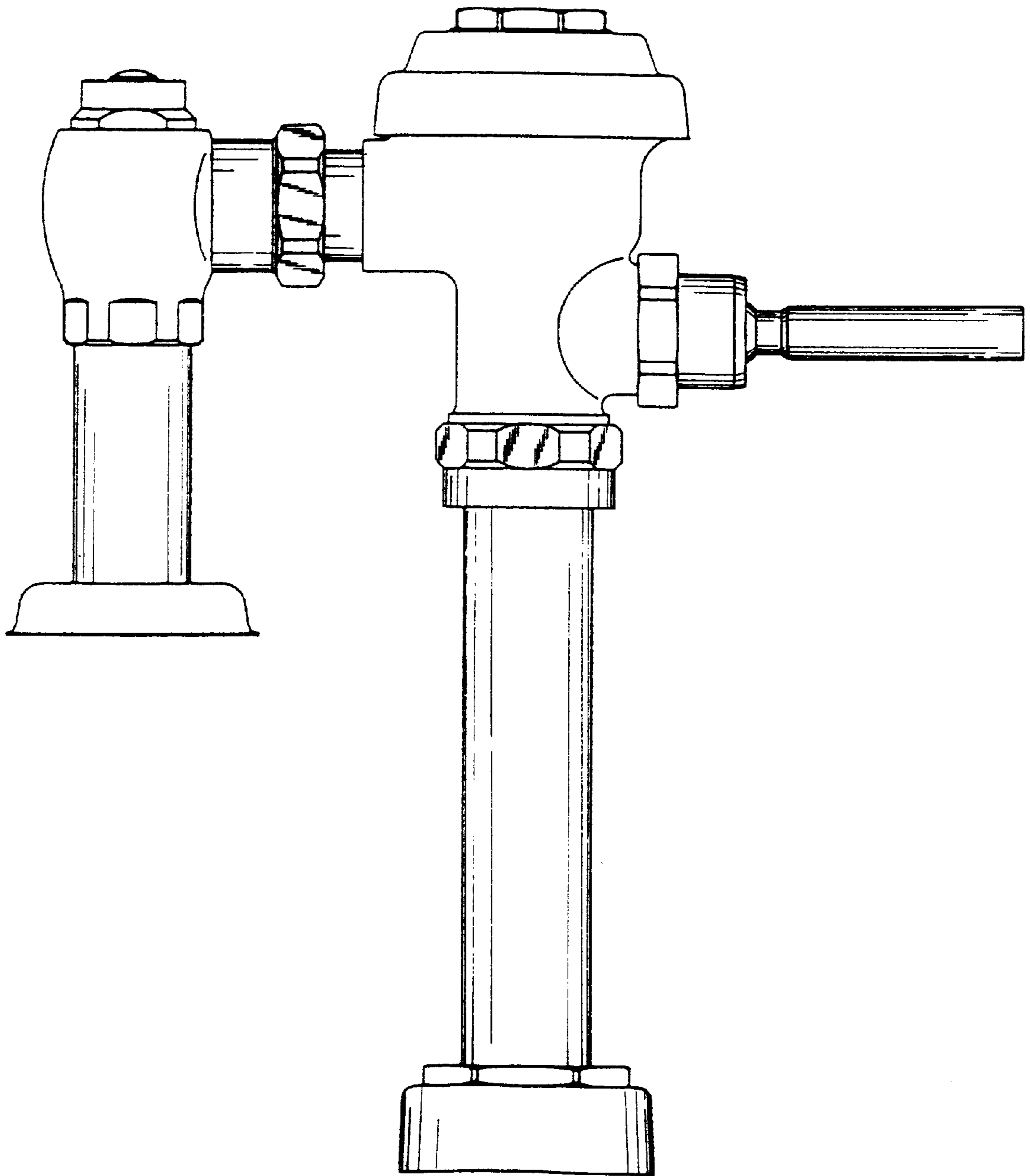


Fig. 4

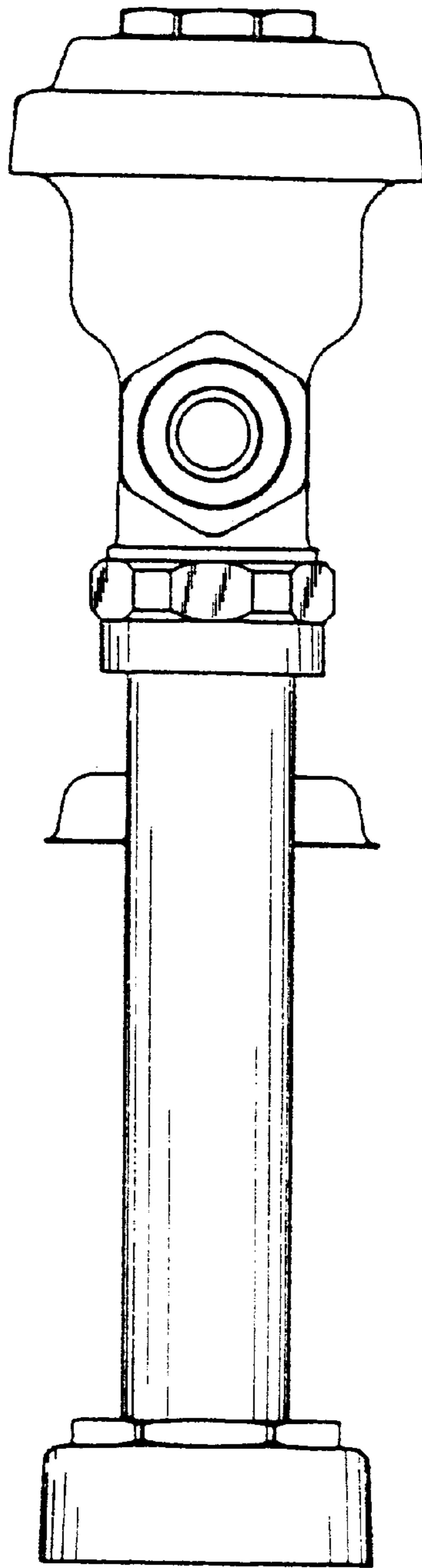


Fig. 5

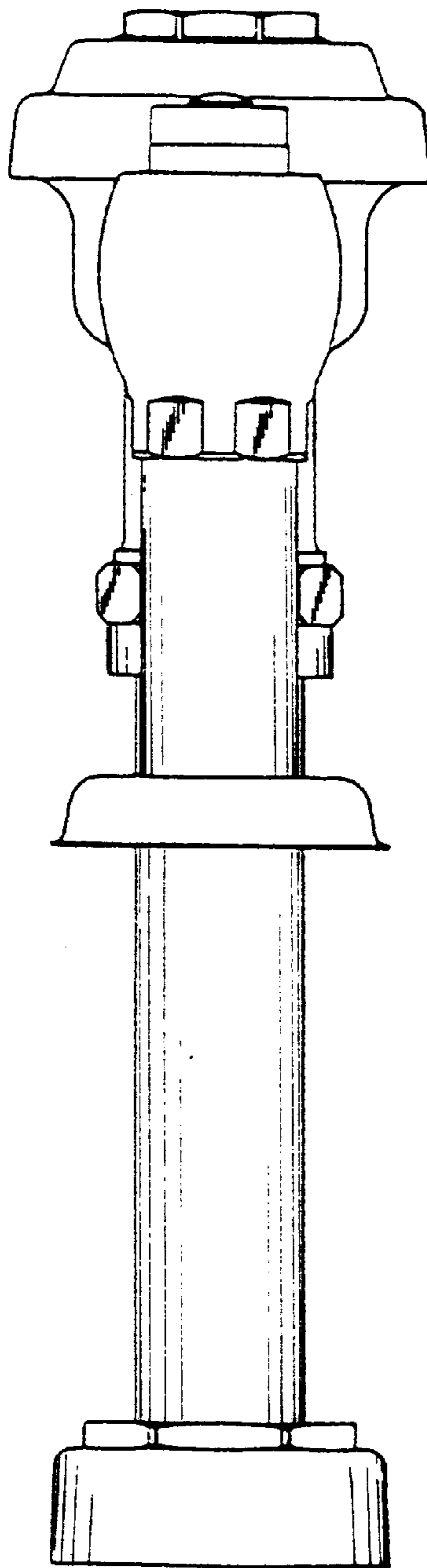


Fig. 6

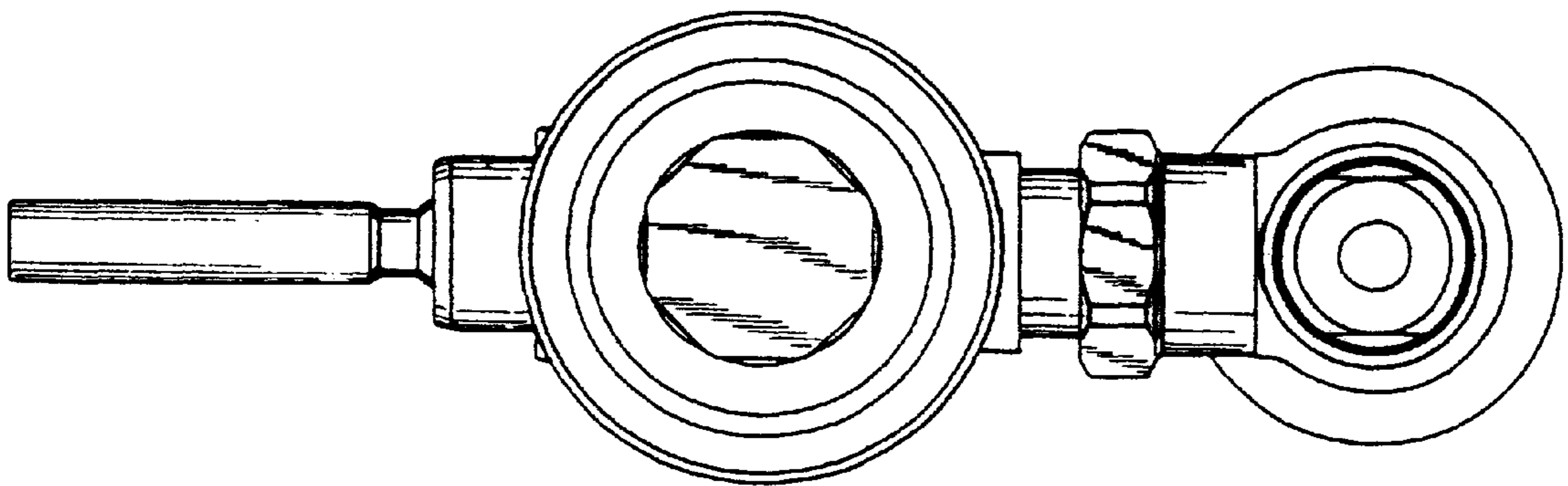


Fig. 7

