



US00D434109S

United States Patent [19]
Ko

[11] **Patent Number: Des. 434,109**

[45] **Date of Patent: ** Nov. 21, 2000**

[54] **SHOWER HEAD**

[75] **Inventor: Hsi-Chia Ko**, Changhua Hsien, Taiwan

[73] **Assignee: Chung Cheng Faucet Co., Ltd.**,
Changhua Hsien, Taiwan

[**] **Term: 14 Years**

[21] **Appl. No.: 29/101,001**

[22] **Filed: Feb. 22, 1999**

[51] **LOC (7) Cl. 23-01**

[52] **U.S. Cl. D23/229**

[58] **Field of Search** D23/213, 228-230,
D23/223; 239/394, 460-2, 556, 560, 459

[56] **References Cited**

U.S. PATENT DOCUMENTS

D. 313,833 1/1991 Presman D23/213
D. 323,545 1/1992 Ward D23/213

D. 375,541 11/1996 Michaluk D23/213
D. 394,897 6/1998 Chan D23/213
D. 408,892 4/1999 Marshall D23/229

Primary Examiner—Robin V. Taylor
Attorney, Agent, or Firm—Dougherty & Troxell

[57] **CLAIM**

The ornamental design for shower head, as shown and described.

DESCRIPTION

FIG. 1 is a perspective view of shower head showing my new design.

FIG. 2 is a front view thereof;

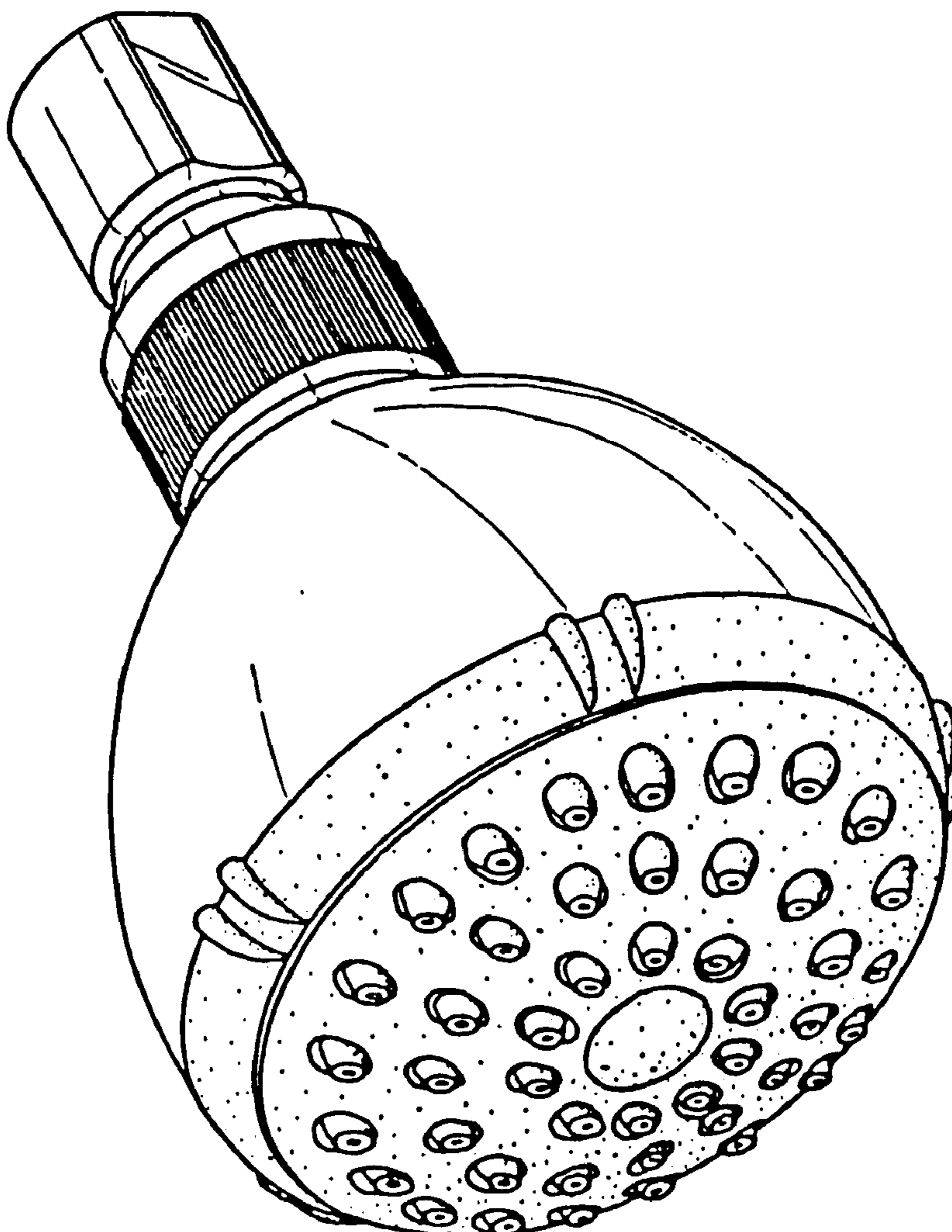
FIG. 3 is a rear view thereof;

FIG. 4 is a left side view thereof, the right side is identical;

FIG. 5 is a top view thereof; and,

FIG. 6 is a bottom view thereof.

1 Claim, 3 Drawing Sheets



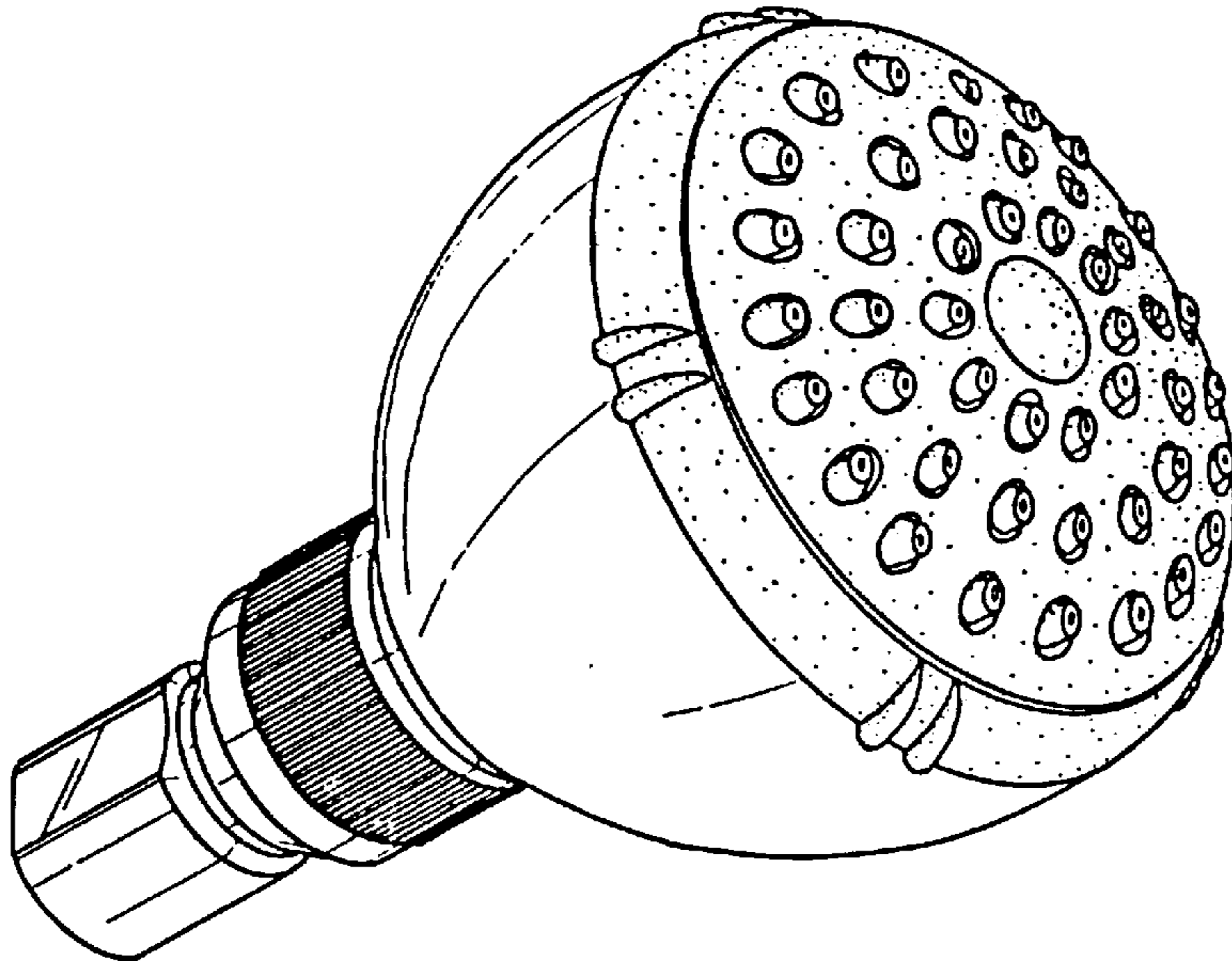


FIG. 1

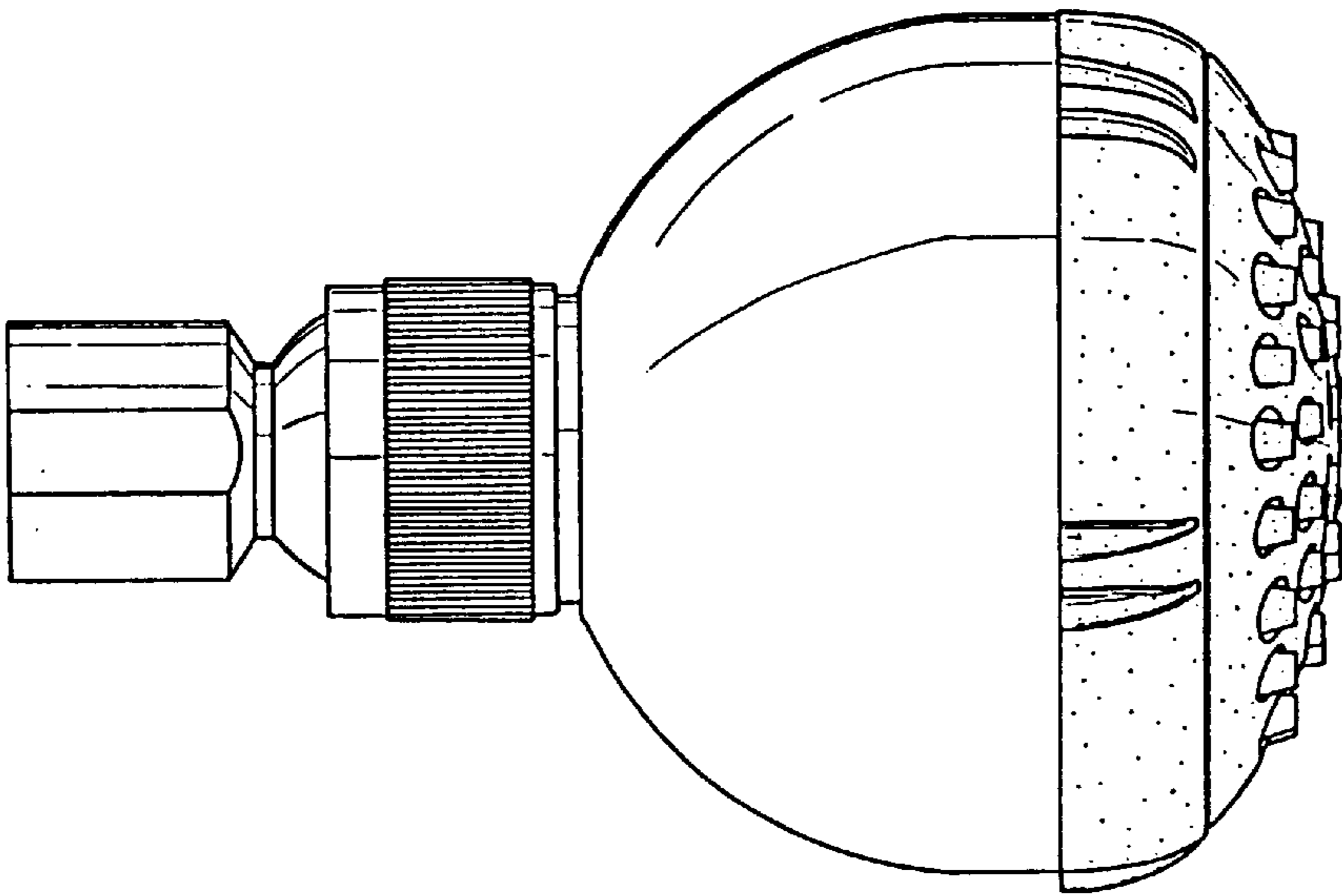


FIG. 4

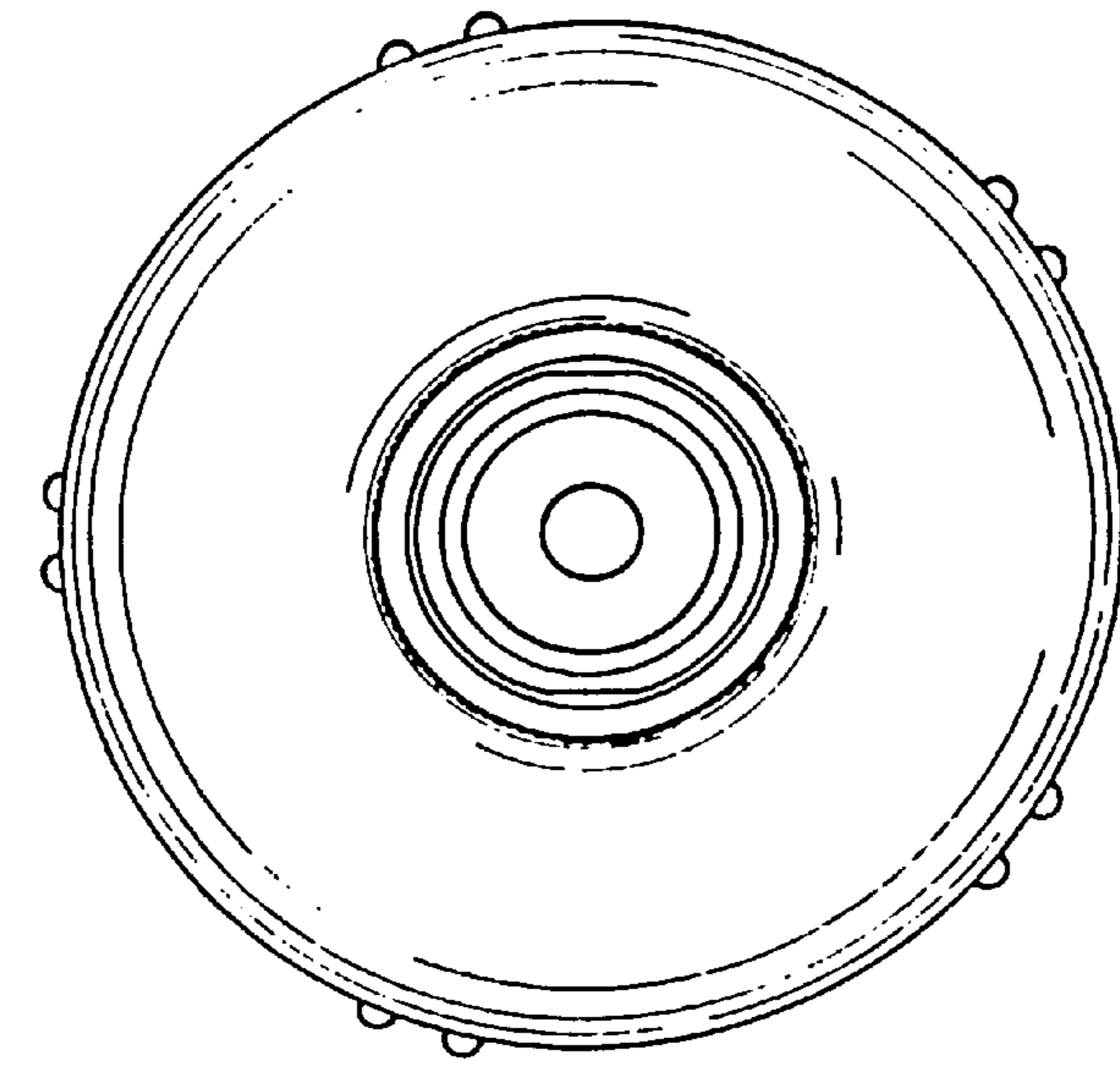


FIG. 3

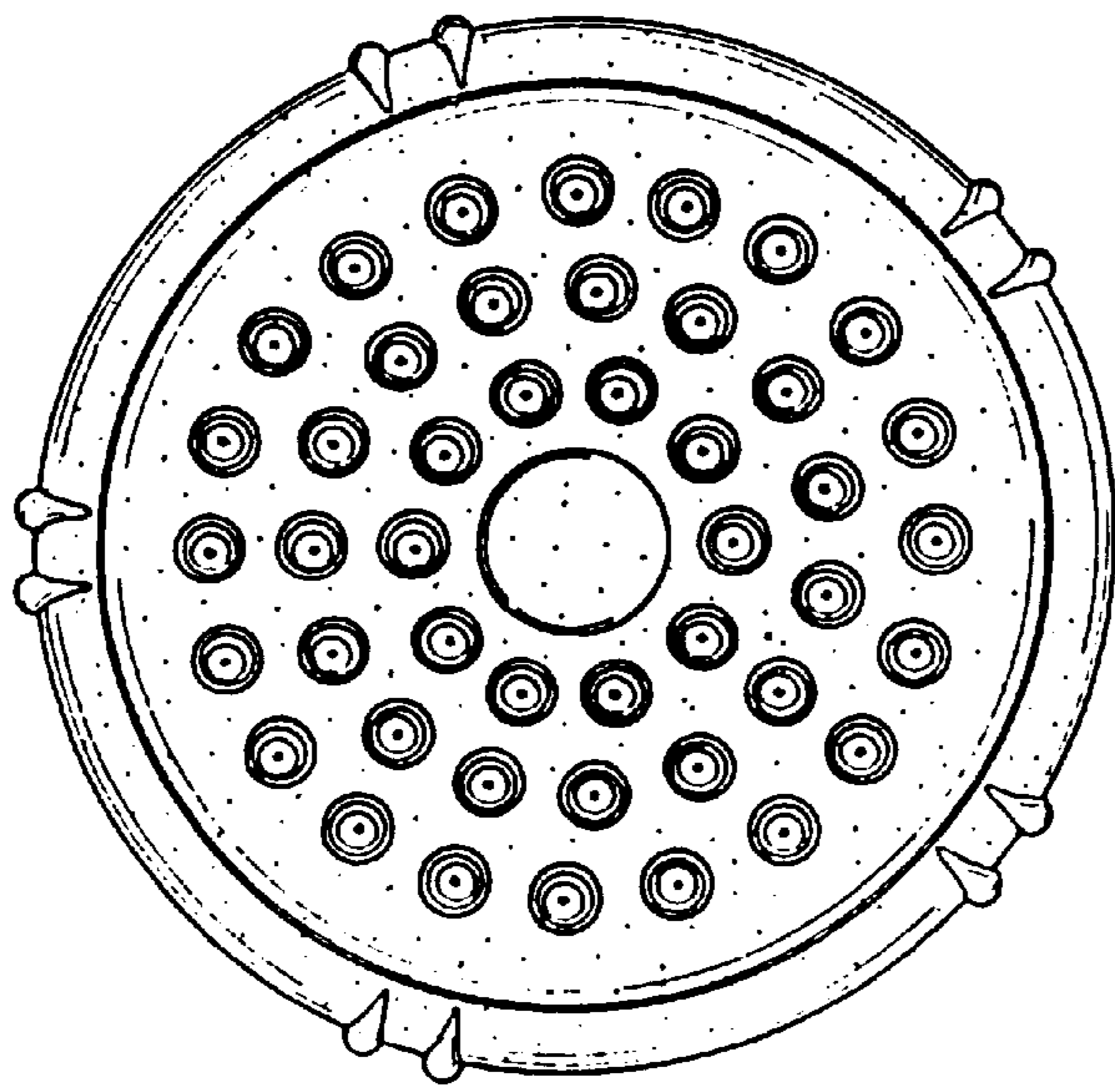


FIG. 2

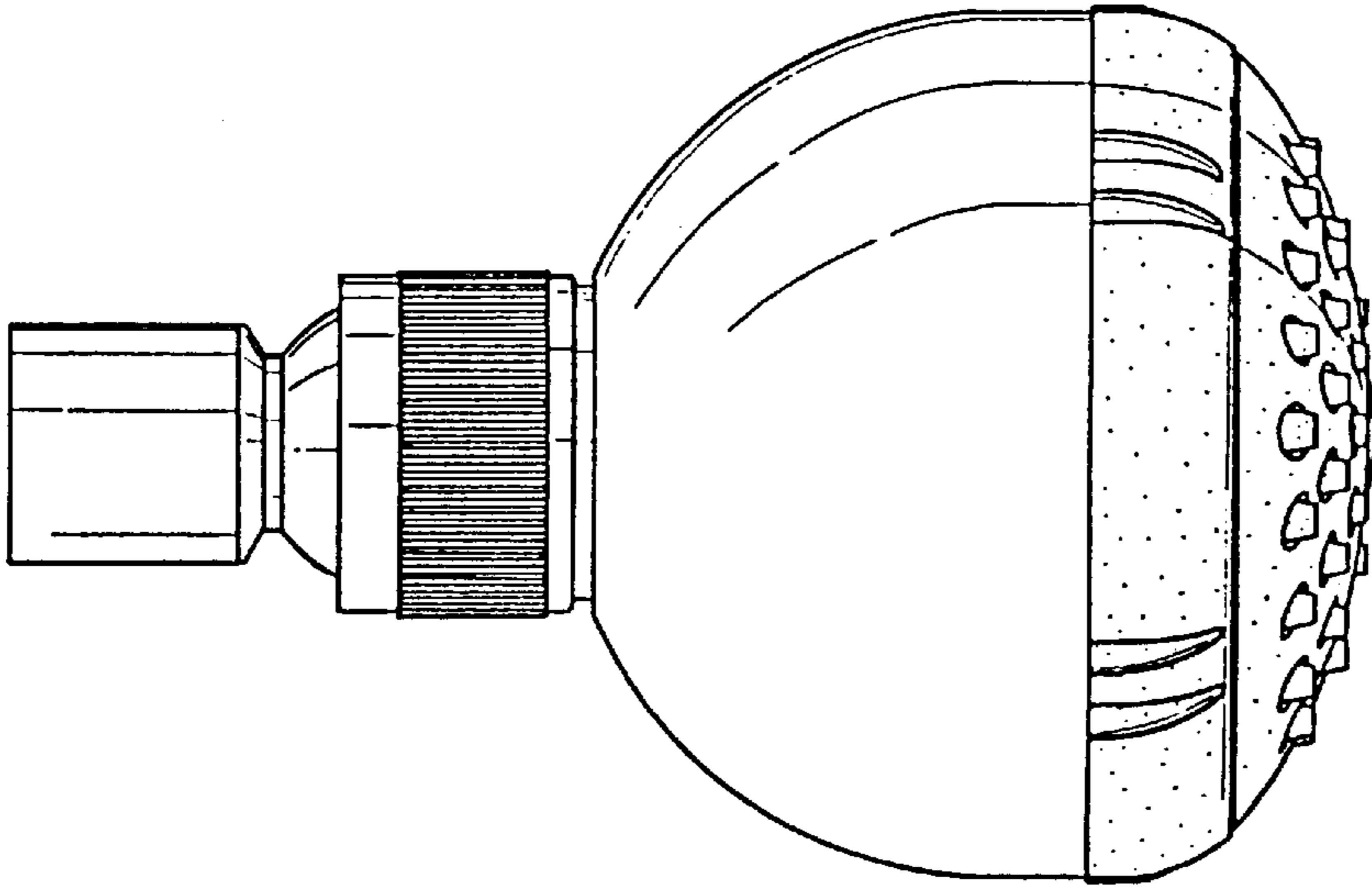


FIG. 5

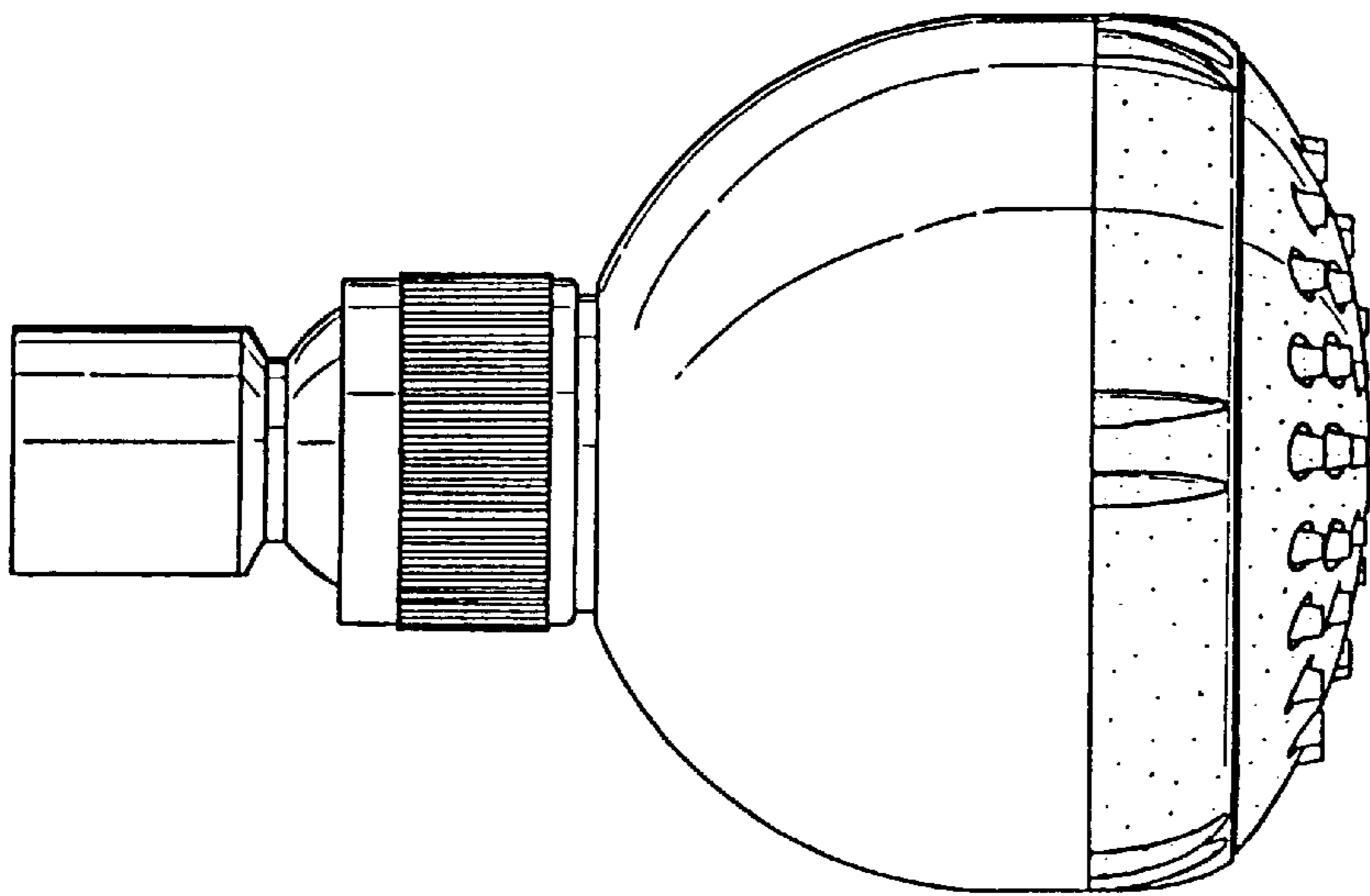


FIG. 6