



US00D434101S

United States Patent [19]

[11] **Patent Number: Des. 434,101**

Allen

[45] **Date of Patent: ** Nov. 21, 2000**

[54] **FISHING POLE HOLDER WITH STRIKE ALERT LIGHT**

Primary Examiner—Louis S. Zarfes
Assistant Examiner—Inga-Maria Hyttinen
Attorney, Agent, or Firm—Robert G. Allen; Jose I. Jimenez

[76] Inventor: **Robert G. Allen**, 1805 S. Sutter St., Stockton, Calif. 95206

[**] Term: **14 Years**

[57] **CLAIM**

The ornamental design for a fishing pole holder with strike alert light, as shown and described.

[21] Appl. No.: **29/122,218**

DESCRIPTION

[22] Filed: **Apr. 18, 2000**

FIG. 1 is a perspective view of a fishing pole holder with strike alert light showing my new design it being understood that FIGS. 1, 2, 3, 4, and 5 are shown broken away for convenience of illustration;

[51] **LOC (7) Cl.** **22-05**

[52] **U.S. Cl.** **D22/148**

[58] **Field of Search** D22/147, 148, D22/134, 199; 43/21.2; D6/417, 462; 248/251, 511, 520, 530

FIG. 2 is a rear elevational view thereof;
FIG. 3 is a side elevational view thereof;
FIG. 4 is a front elevational view thereof;
FIG. 5 is an elevational view of the opposite side of that shown in FIG. 3;

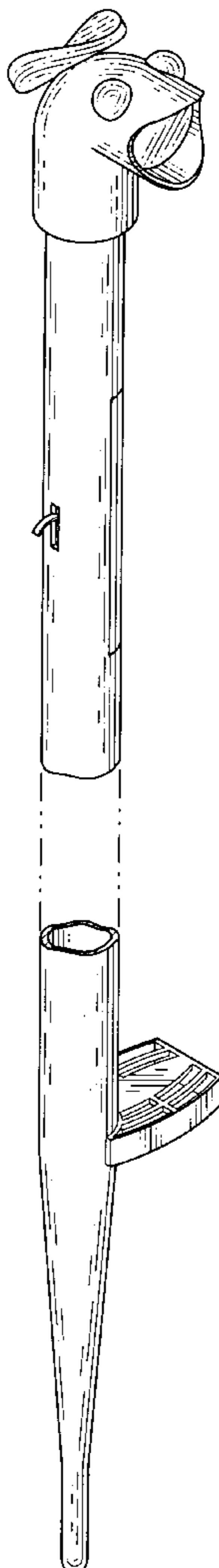
[56] **References Cited**

U.S. PATENT DOCUMENTS

D. 332,821	1/1993	Padilla	D22/147
D. 344,566	2/1994	Vetter	D22/147
D. 353,871	12/1994	Short	D22/147
D. 396,970	8/1998	Grindstaff	D6/417

FIG. 6 is a top plan view thereof;
FIG. 7 is a bottom plan view thereof; and,
FIG. 8 is a top side perspective view thereof, the broken lines illustrating a fishing pole and fishing line are for illustrative purposes and form no part of the claimed design.

1 Claim, 2 Drawing Sheets



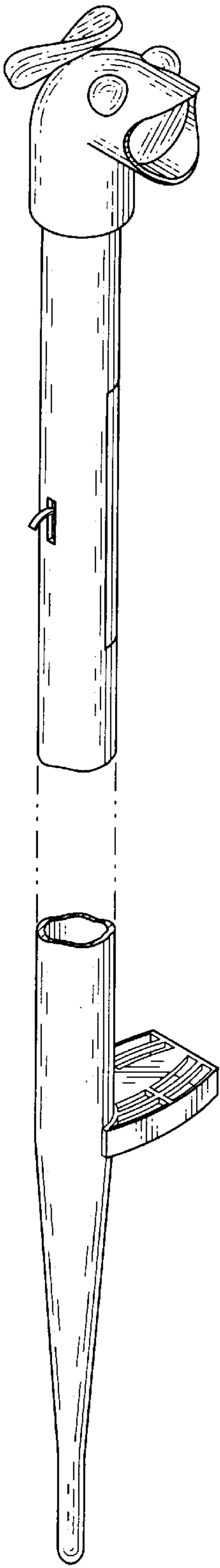


Fig. 1

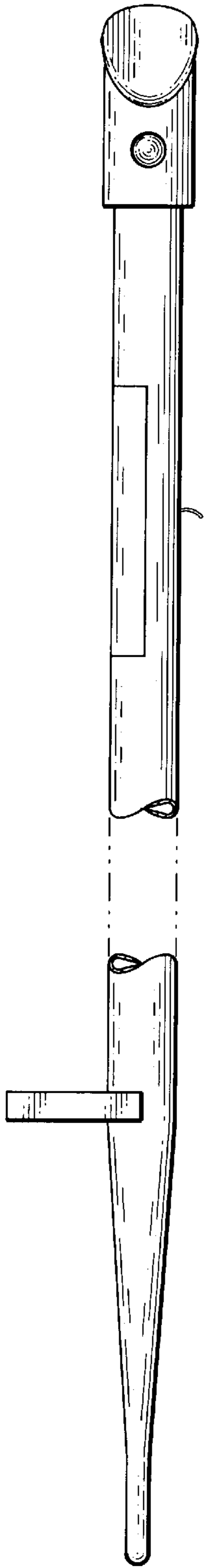


Fig. 2

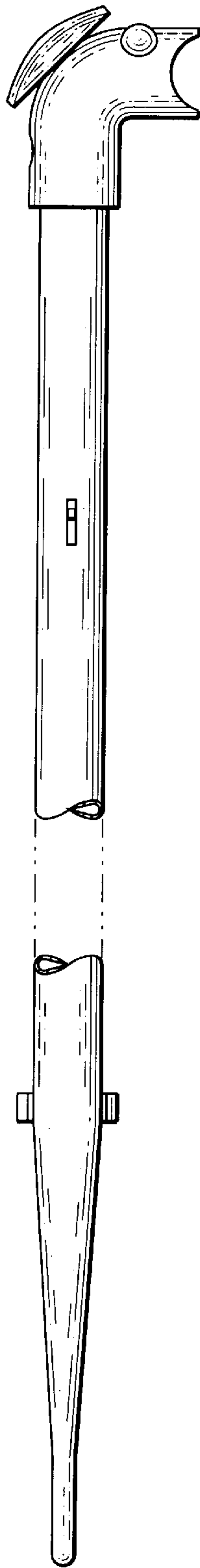


Fig. 3

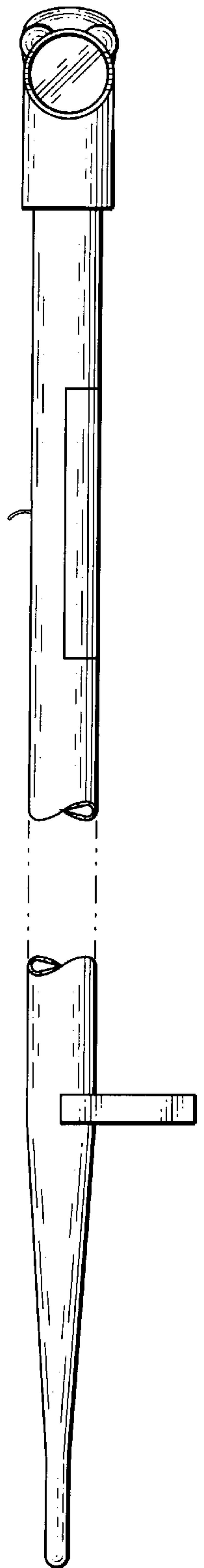


Fig. 4

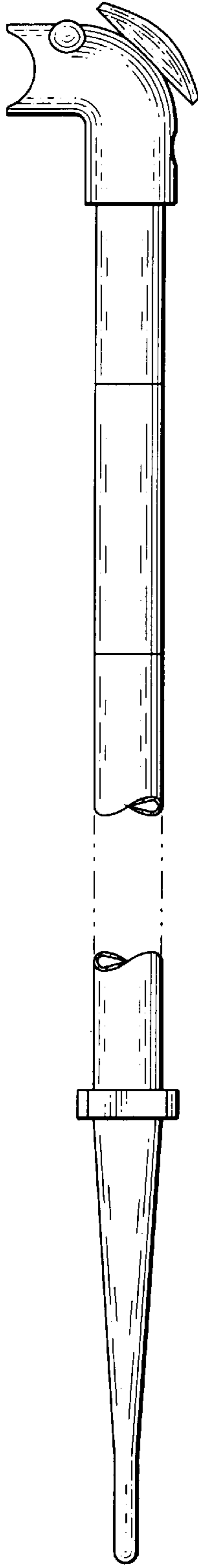


Fig. 5

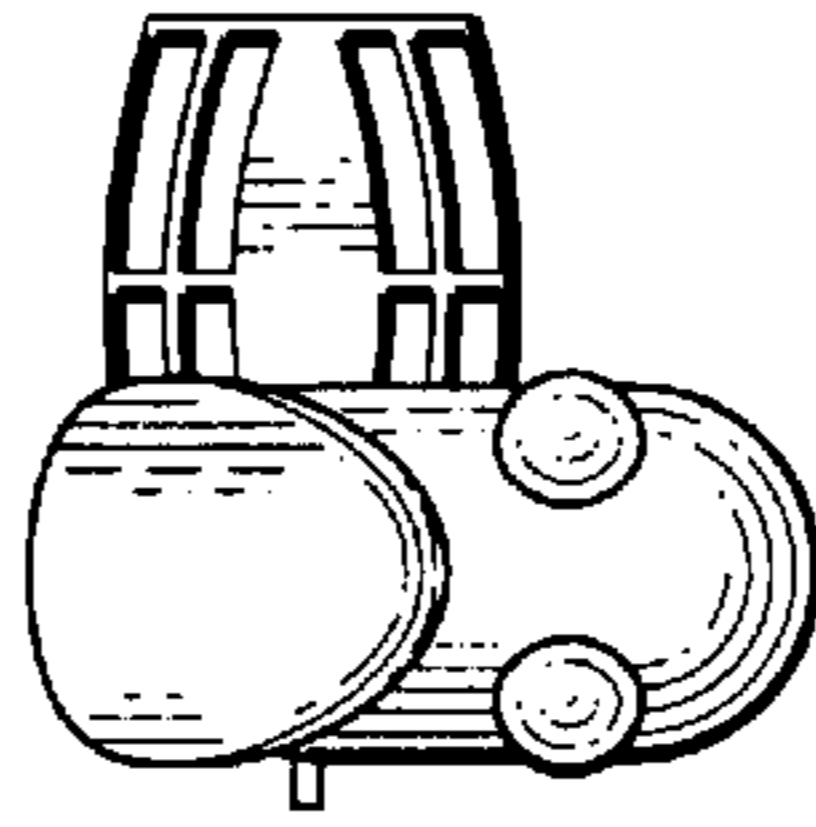


Fig. 6

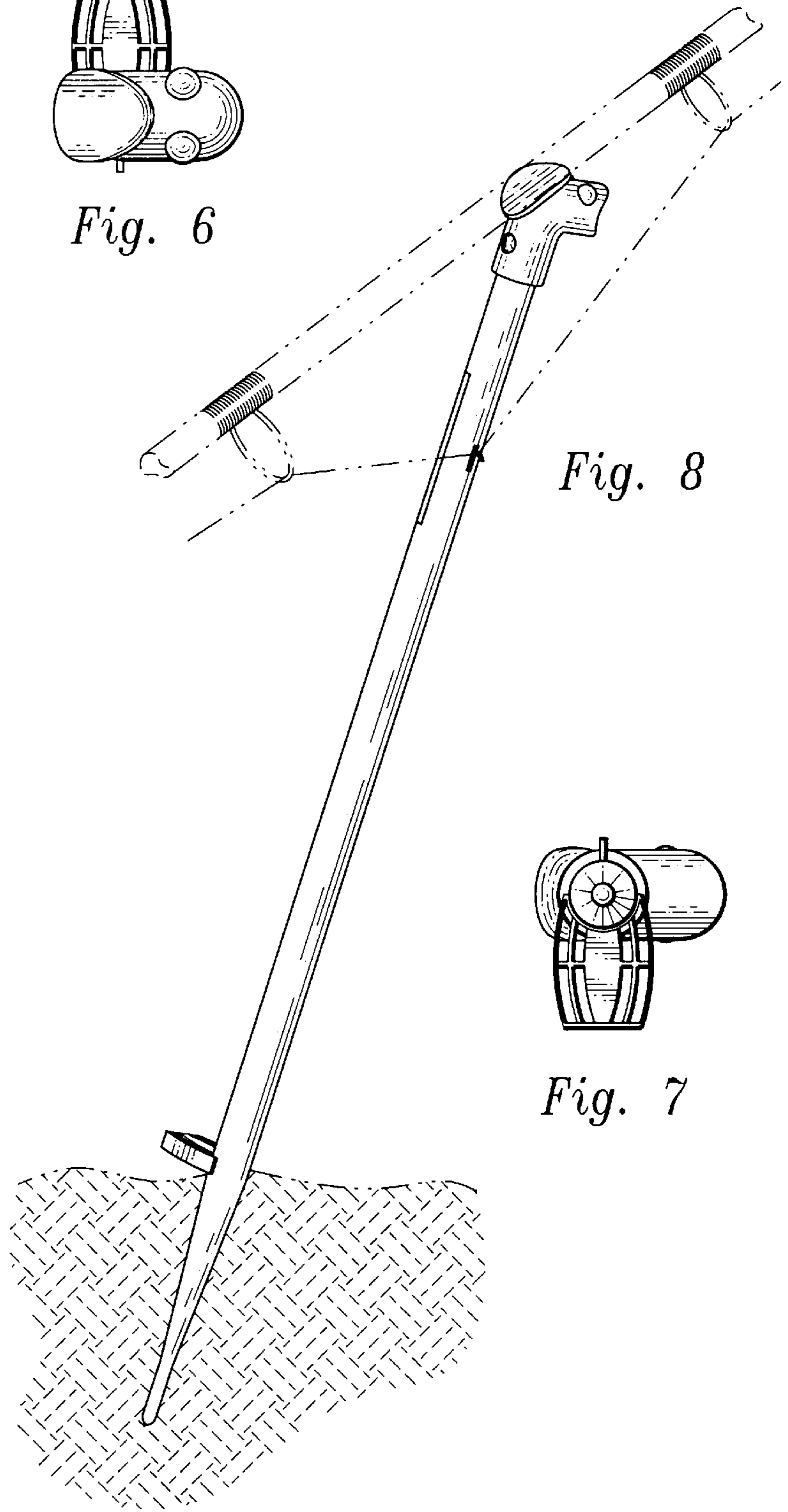


Fig. 8

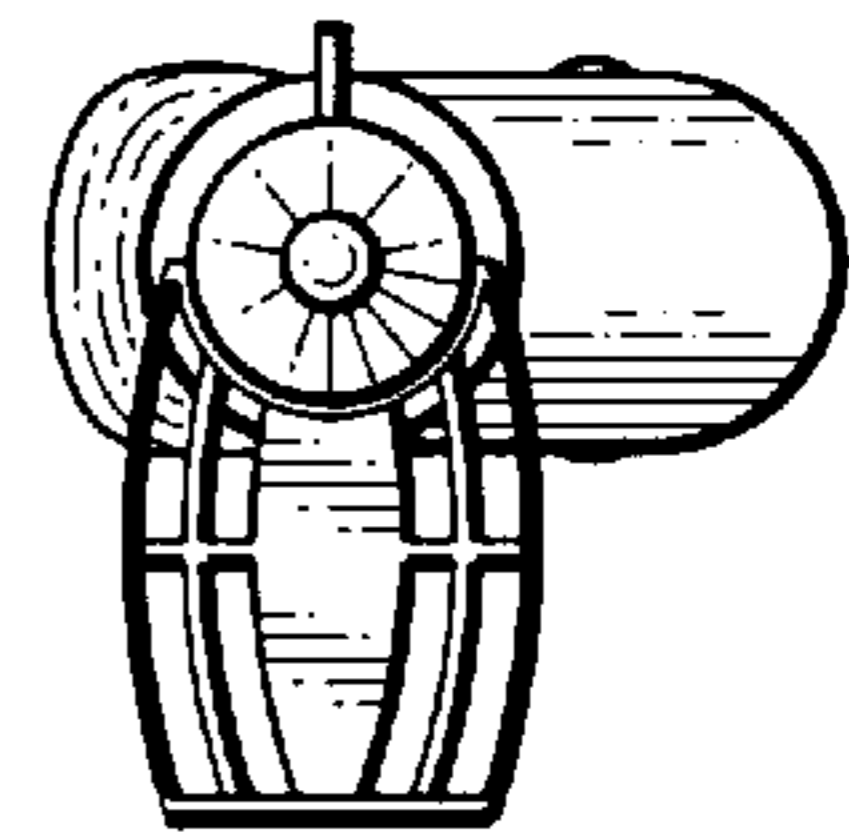


Fig. 7