



US00D434089S

# United States Patent [19] Rosen

[11] Patent Number: **Des. 434,089**

[45] Date of Patent: **\*\* Nov. 21, 2000**

[54] **TOY BARN**

4,458,440 7/1984 D'Andrade ..... 446/476

[75] Inventor: **Lawrence I. Rosen**, Mendham, N.J.

[73] Assignee: **Rose Art Industries, Inc.**, Livingston, N.J.

[\*\*] Term: **14 Years**

[21] Appl. No.: **29/110,595**

[22] Filed: **Aug. 27, 1999**

[51] **LOC (7) Cl.** ..... **21-01**

[52] **U.S. Cl.** ..... **D21/508**

[58] **Field of Search** ..... D21/506-511,  
D21/836, 827; 446/110, 476, 488, 477,  
478

[56] **References Cited**

**U.S. PATENT DOCUMENTS**

D. 226,209	1/1973	Genin .....	D21/508
D. 230,410	2/1974	Schmidt .....	D21/508
D. 358,620	5/1995	Hill et al. ....	D21/511
D. 372,056	7/1996	Norton .....	D21/510
3,650,064	3/1972	Fusco .....	446/476

**OTHER PUBLICATIONS**

Fisher Price Catalog, p. 18, 1987.

Little Tikes Catalog, p. 7, 1992.

*Primary Examiner*—Raphael Barkai

*Attorney, Agent, or Firm*—Allen N. Friedman; McCarter & English, LLP

[57] **CLAIM**

The ornamental design for a toy barn, as shown and described.

**DESCRIPTION**

FIG. 1 is a perspective view of an article of the invention. FIG. 2 is a side elevational view of an article of the invention.

FIG. 3 is a front elevational view of an article of the invention.

FIG. 4 is a rear elevational view of an article of the invention.

FIG. 5 is a plan view of an article of the invention; and FIG. 6 is a bottom view of an article of the invention.

**1 Claim, 4 Drawing Sheets**

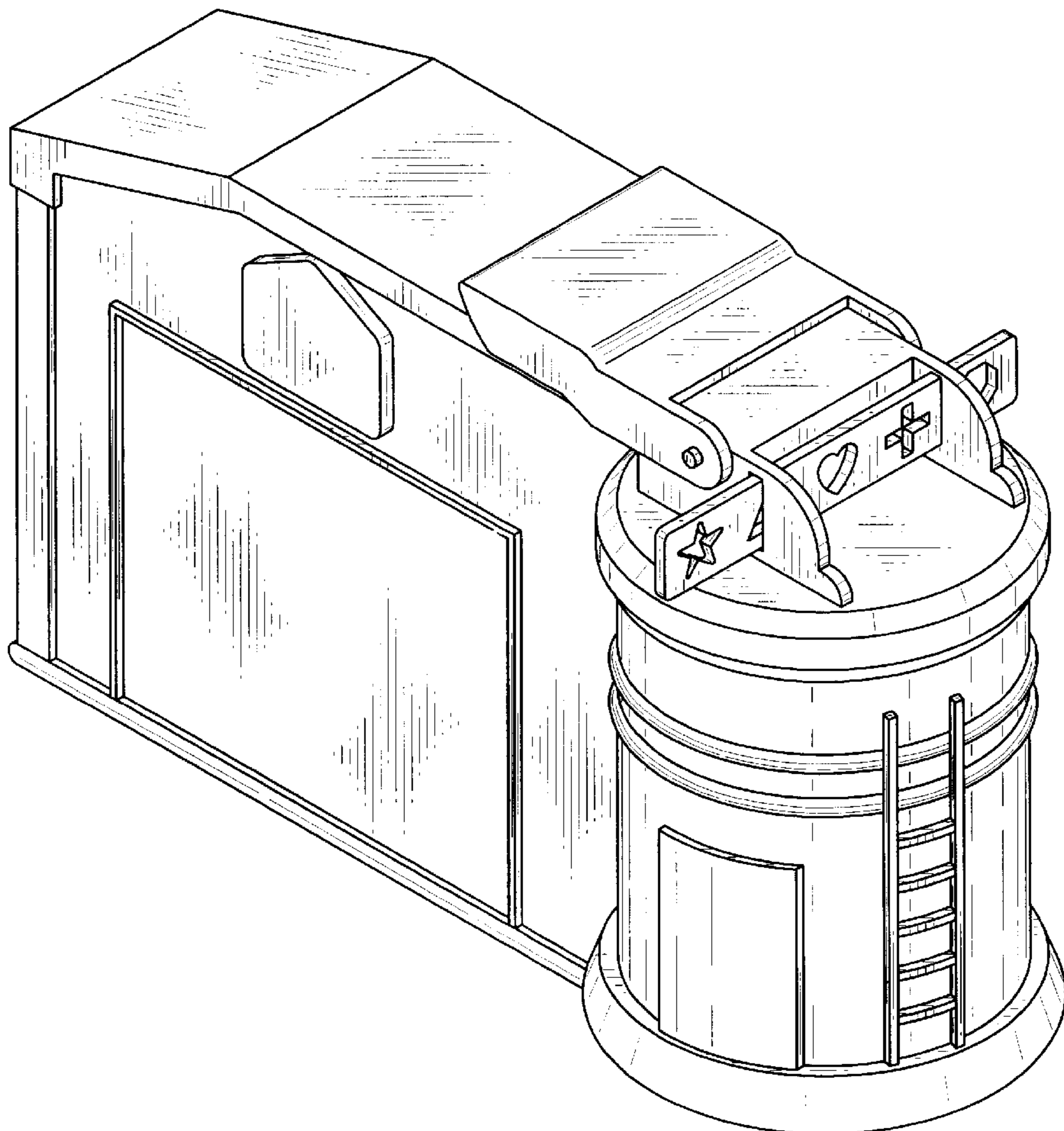


FIG. 1

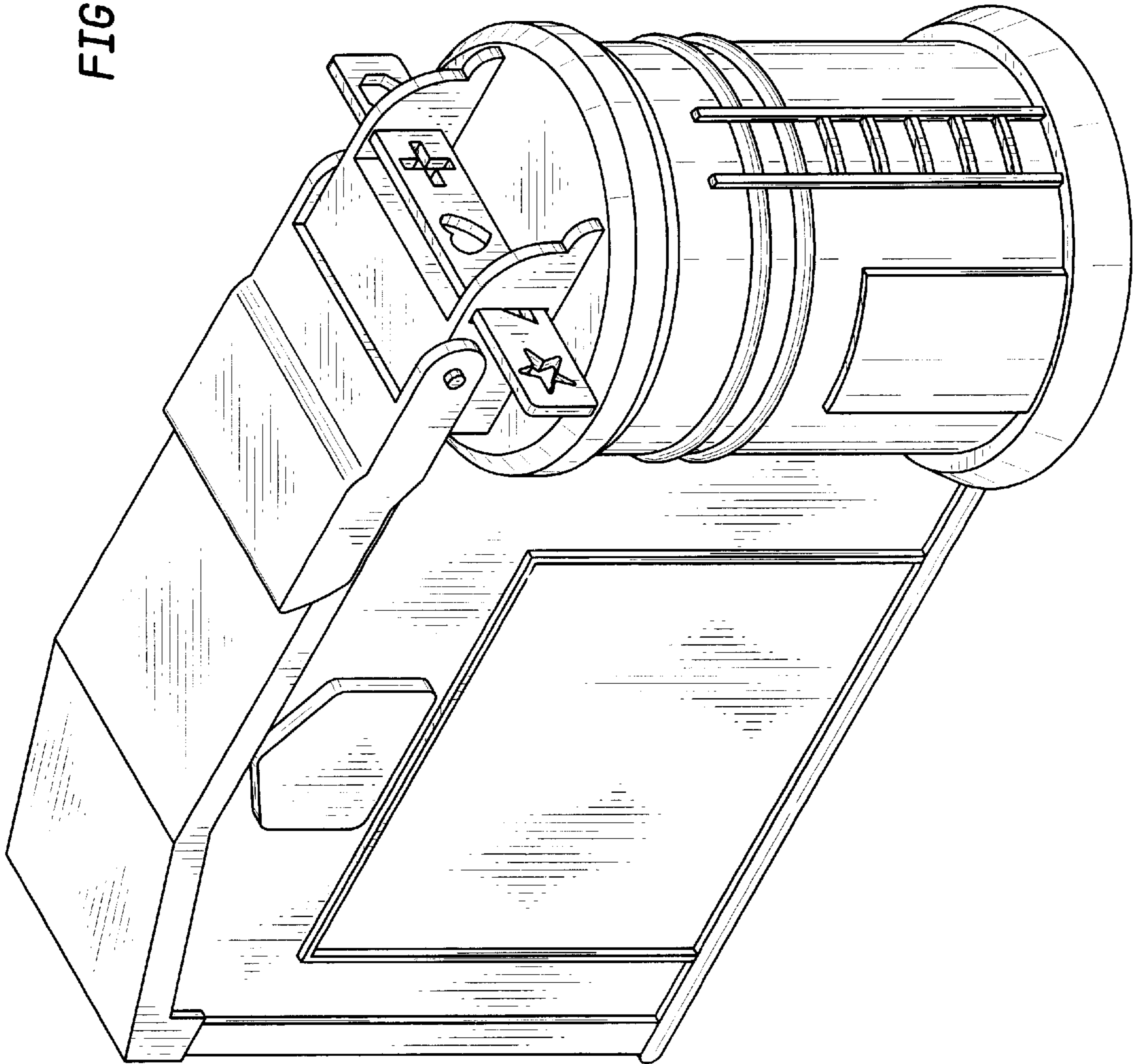


FIG. 3

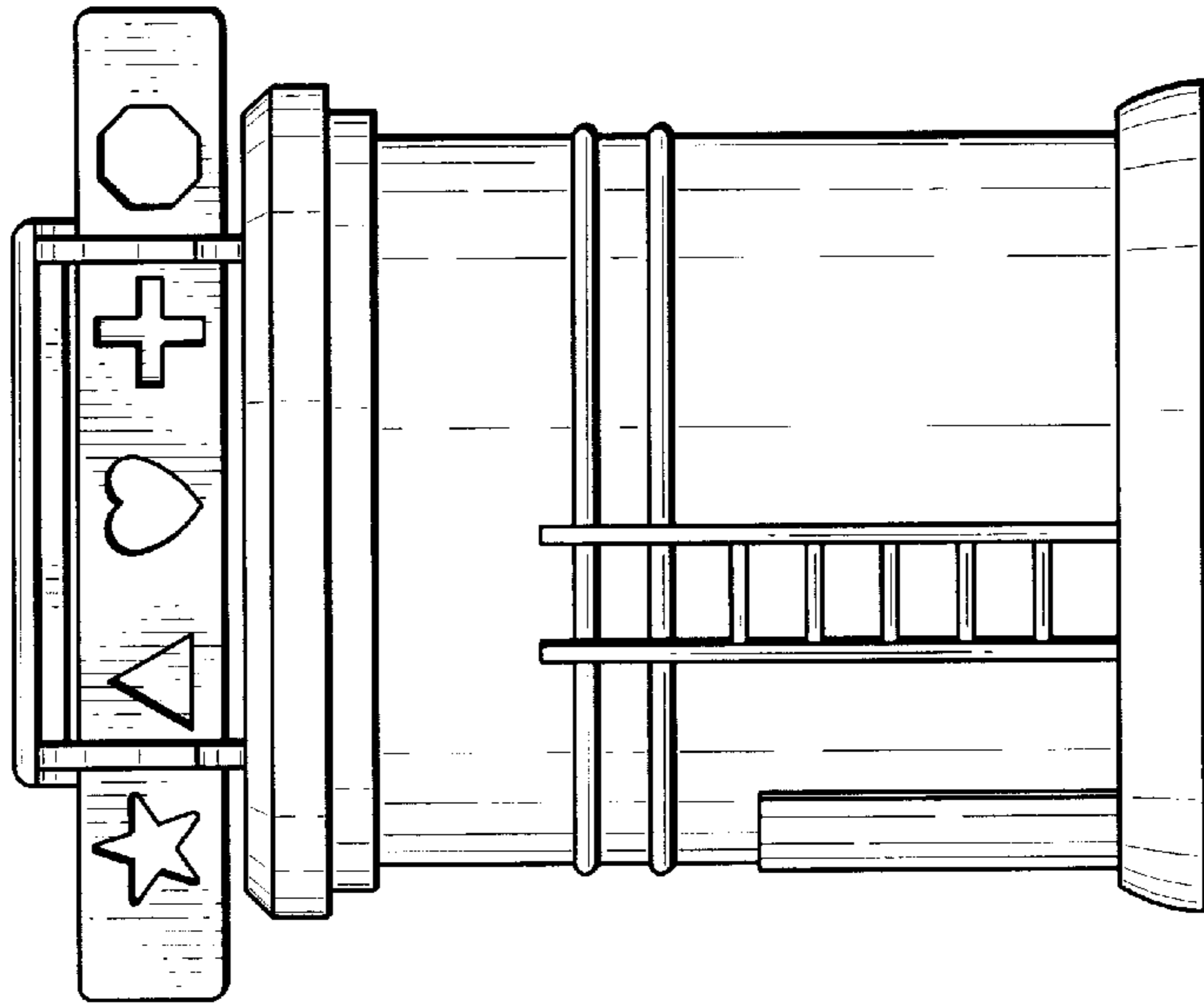


FIG. 2

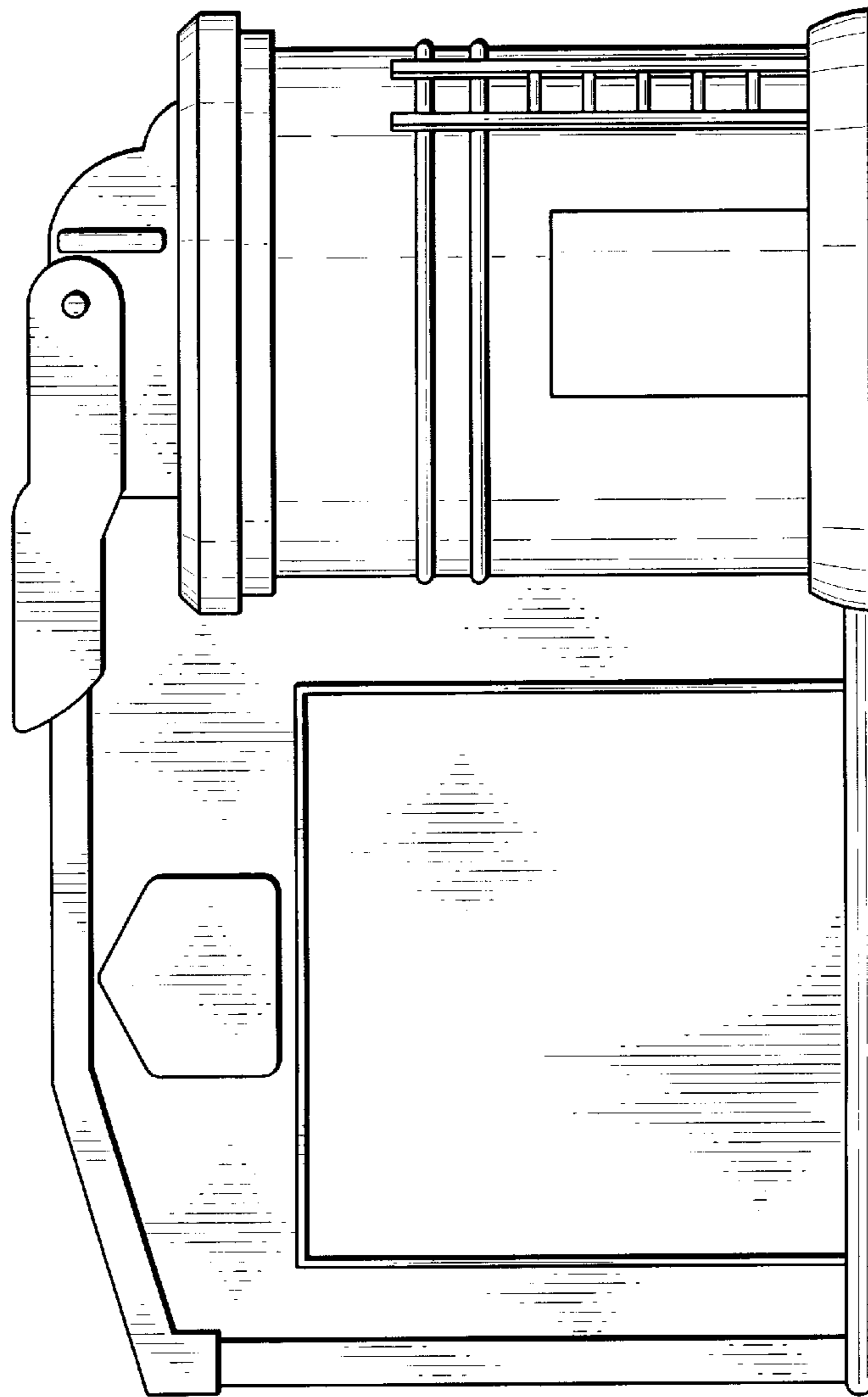


FIG. 4

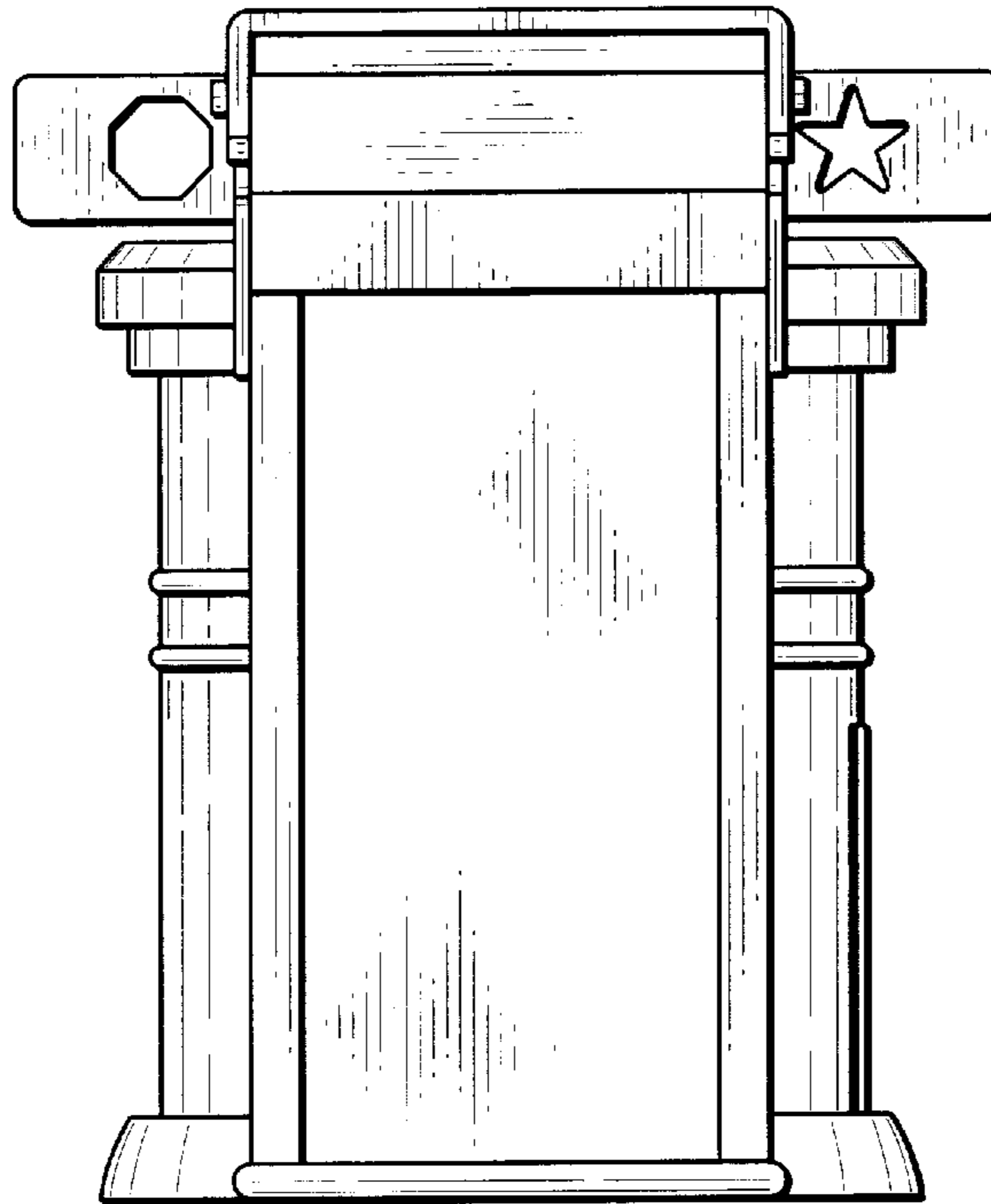


FIG. 5

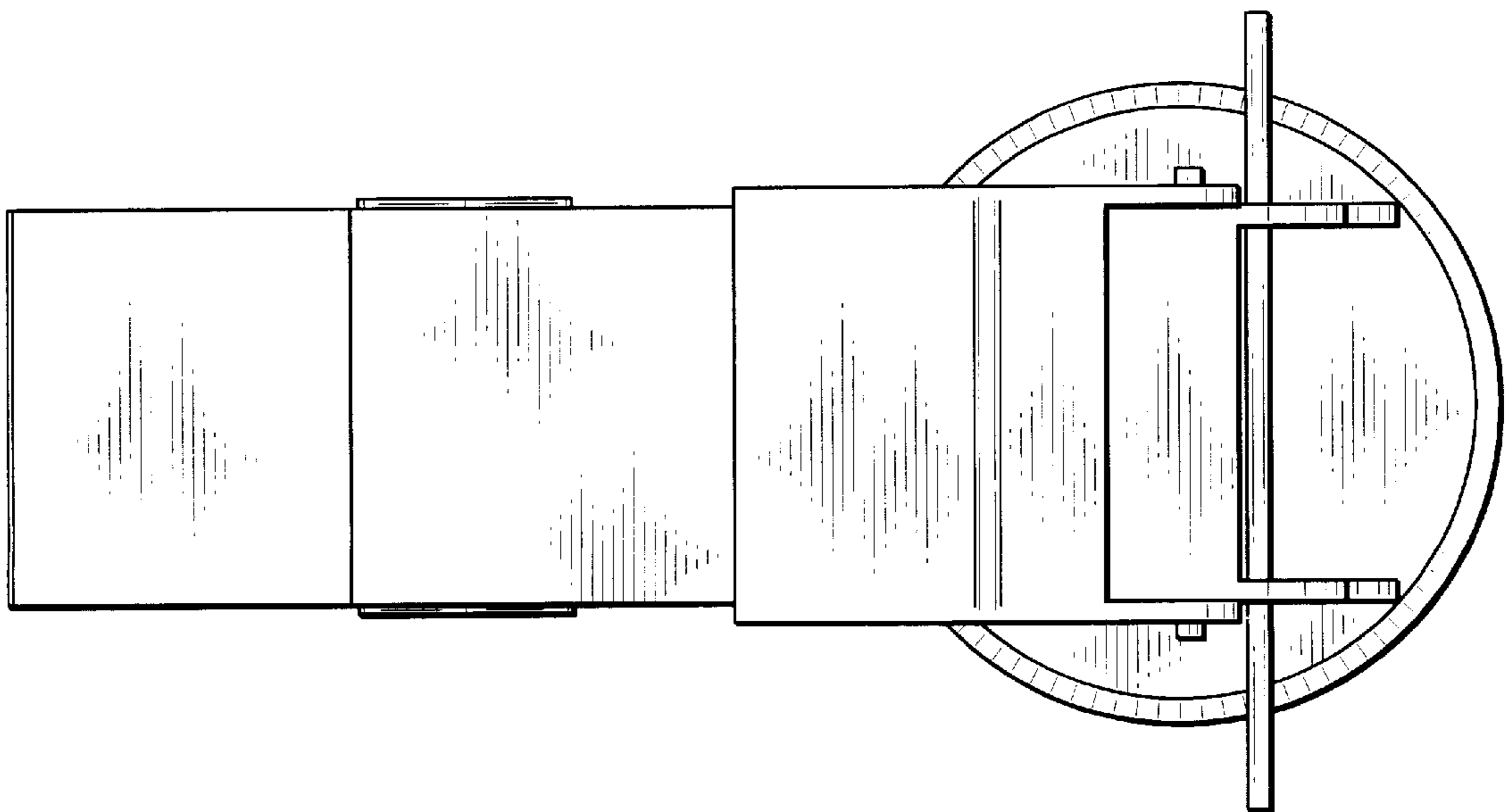


FIG. 6

