



US00D434083S

# United States Patent [19]

Vance

[11] Patent Number: Des. 434,083

[45] Date of Patent: \*\* Nov. 21, 2000

[54] REAL ESTATE BROCHURE BOX INSERT

[75] Inventor: Bruce William Vance, Boise, Id.

[73] Assignee: Mountainwest Manufacturing, Inc., Boise, Id.

[\*\*] Term: 14 Years

[21] Appl. No.: 29/122,020

[22] Filed: Apr. 17, 2000

[51] LOC (7) Cl. .... 20-02

[52] U.S. Cl. .... D20/42

[58] Field of Search ..... D20/10, 40, 41, D20/42, 43; D10/109, 121; 40/124, 584.1, 124.1, 606, 607, 608, 624

### [56] References Cited

#### U.S. PATENT DOCUMENTS

D. 381,369	7/1997	Sabadina	.....	D20/43
D. 407,121	3/1999	Williams	.....	D20/42
D. 416,584	11/1999	Ho	.....	D20/42
D. 421,234	2/2000	Hall et al.	.....	D20/42

Primary Examiner—Marcus A. Jackson

Attorney, Agent, or Firm—Ormiston & McKinney, PLLC

### [57] CLAIM

The ornamental design for a real estate brochure box insert, as shown.

### DESCRIPTION

FIG. 1 is a perspective view of a real estate brochure box insert in place in a brochure box, with the broken line showing for illustrative purposes only and forming no part of the claimed design;

FIG. 2 is a front view of the insert of FIG. 1;

FIGS. 3 and 4 are side views of the insert of FIG. 1;

FIG. 5 is a top view of the insert of FIG. 1;

FIG. 6 is a bottom view of the insert of FIG. 1;

FIG. 7 is a perspective view of a real estate brochure box insert in a brochure box with a brochure in place between the insert and the front of the box and a group of brochures in the box behind the insert;

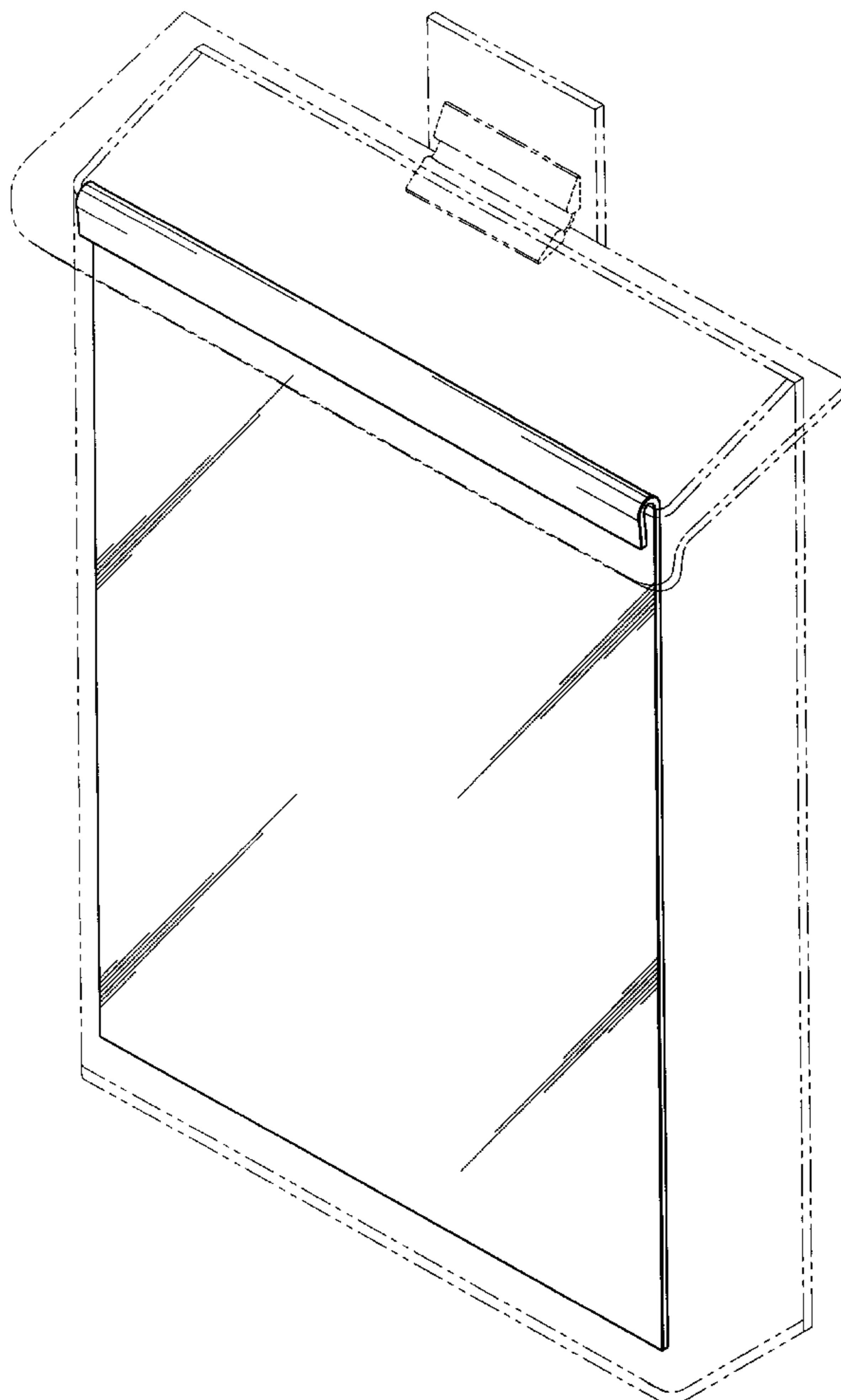
FIG. 8 is a front view showing the insert without the brochure box;

FIG. 9 is a side view showing the insert without the brochure box;

FIG. 10 is a top view showing the insert without the brochure box; and,

FIG. 11 is a bottom view showing the insert without the brochure box.

1 Claim, 6 Drawing Sheets



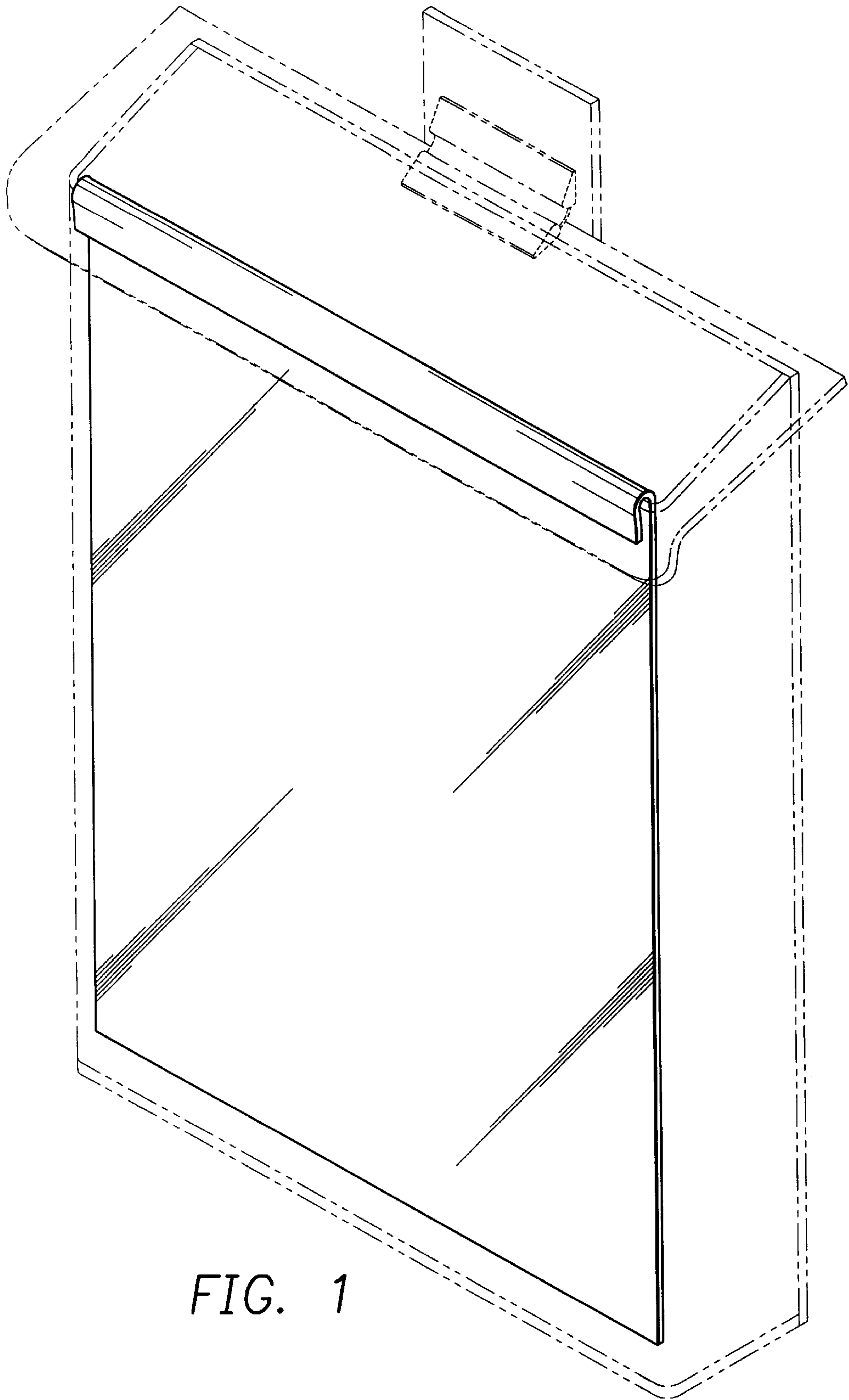


FIG. 1

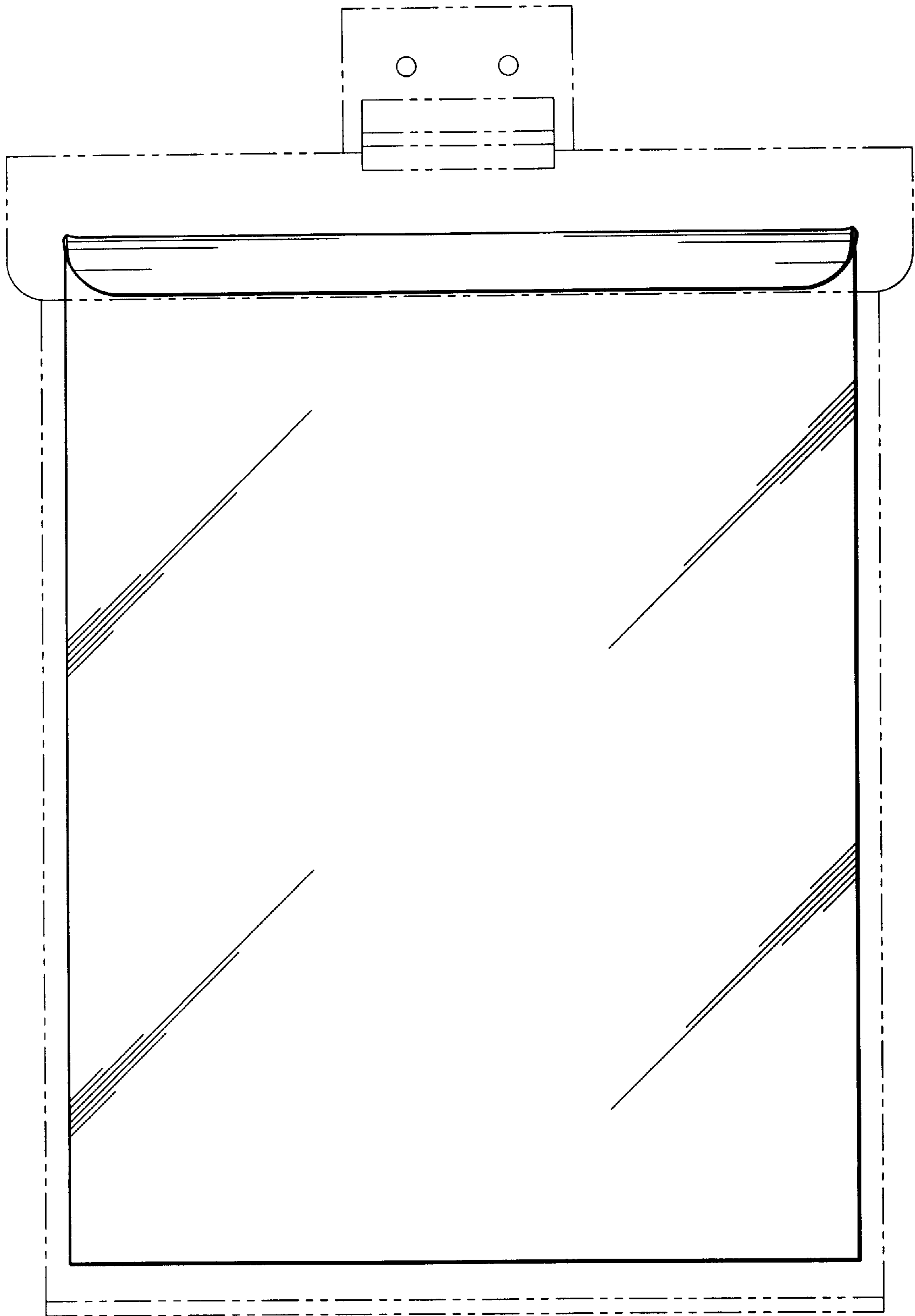


FIG. 2

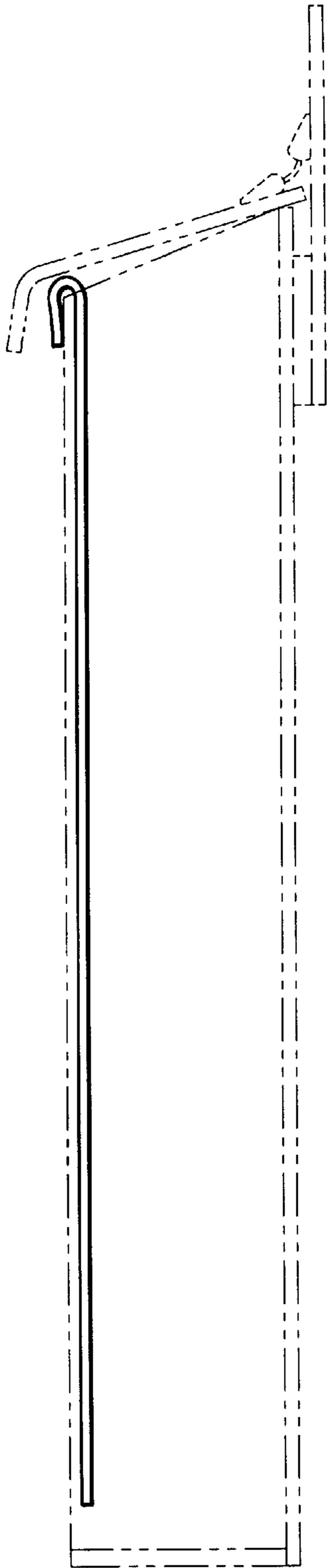


FIG. 3

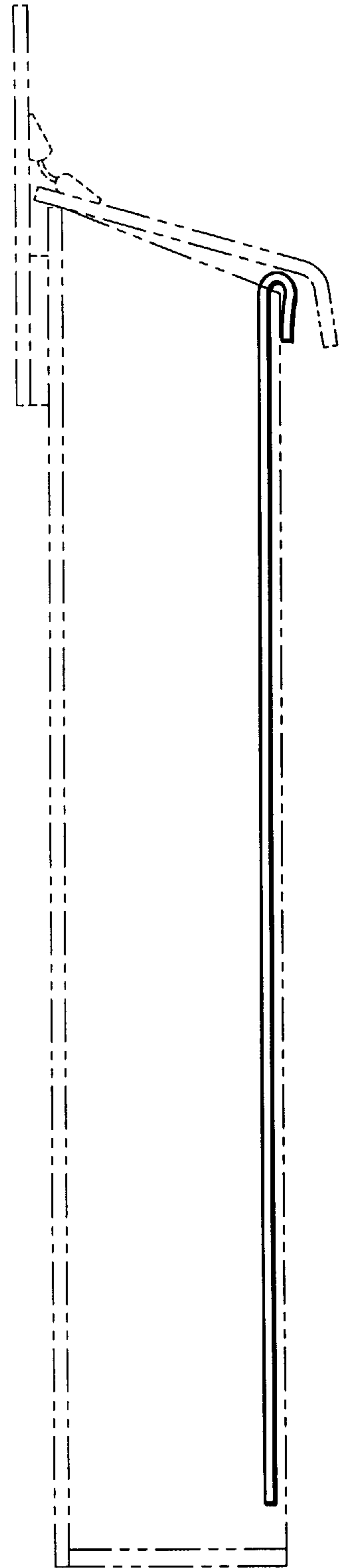


FIG. 4

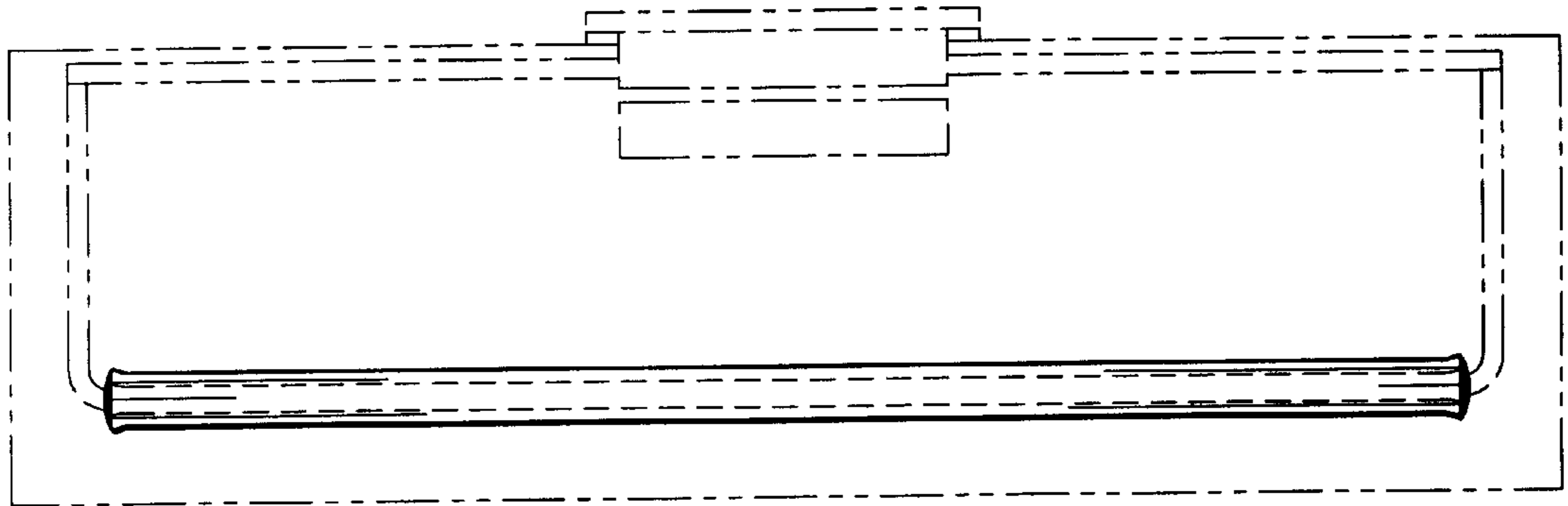


FIG. 5

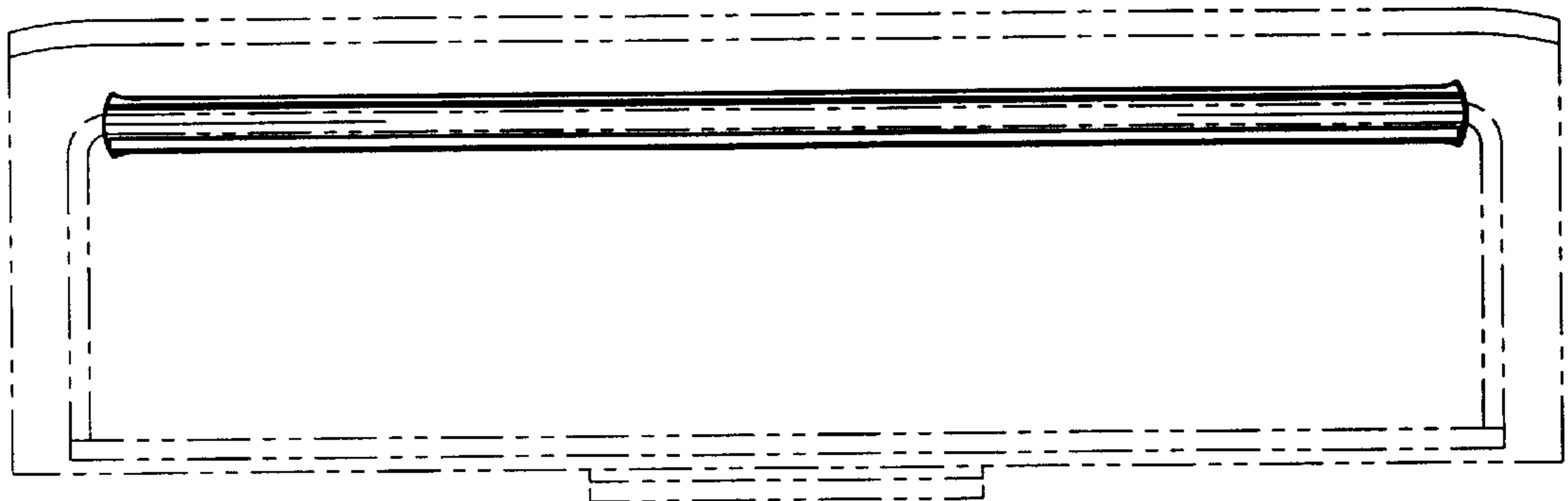


FIG. 6

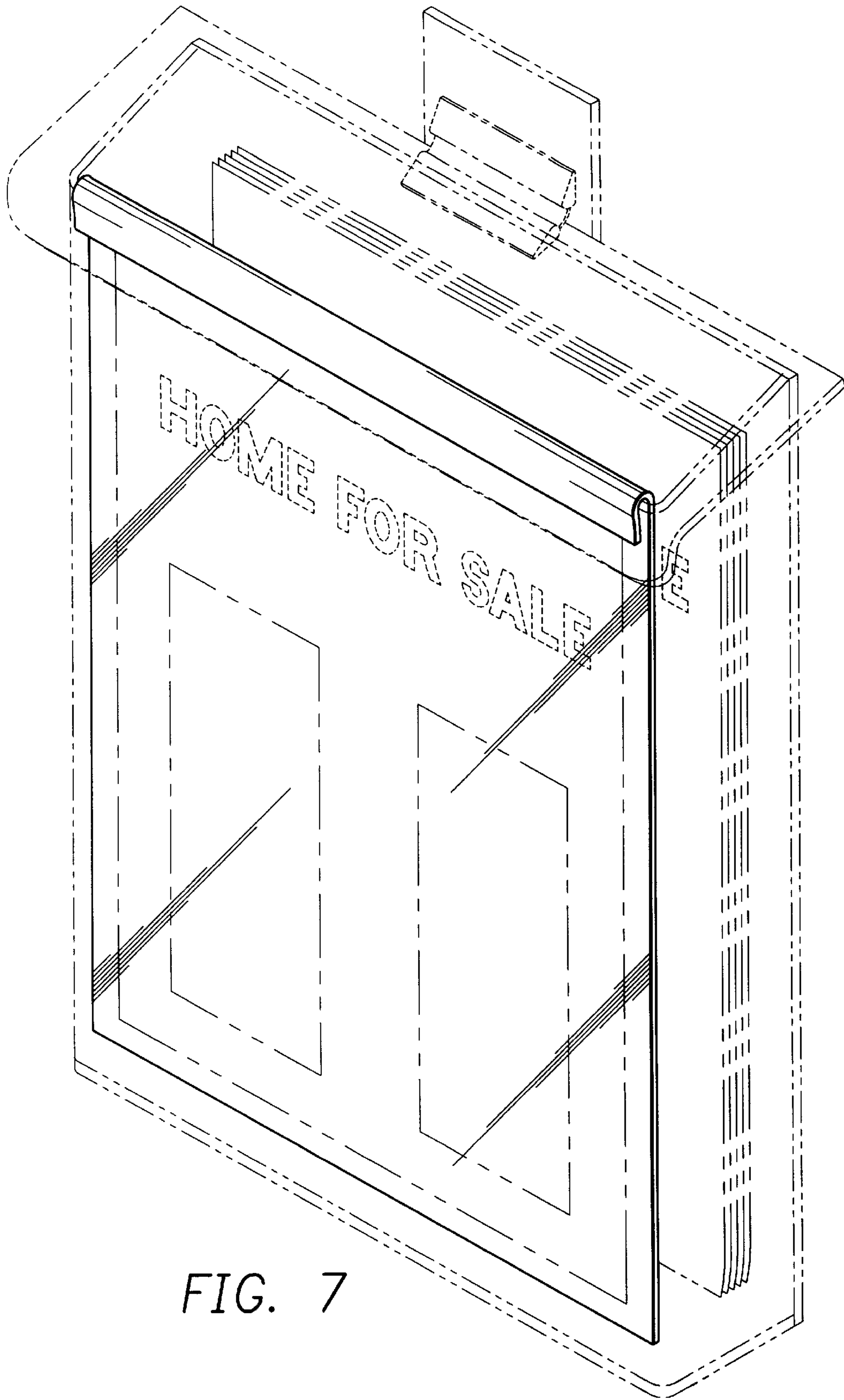


FIG. 7

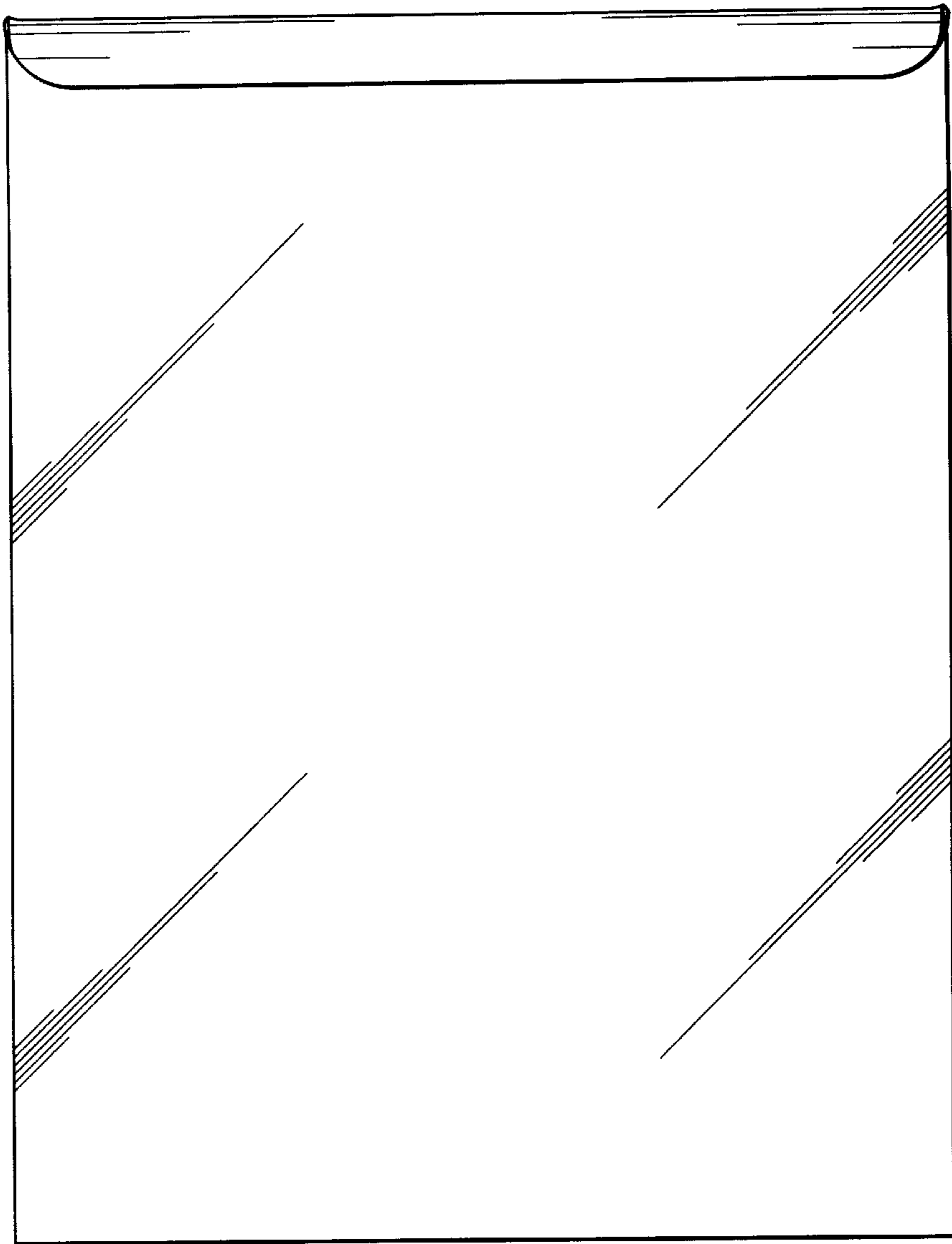


FIG. 8



FIG. 9

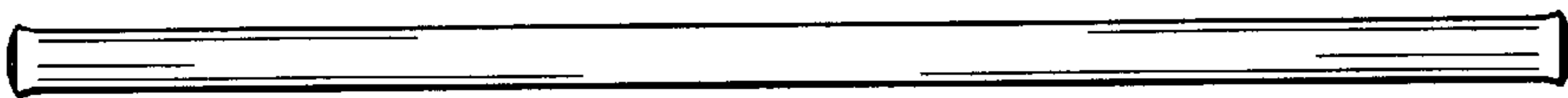


FIG. 10

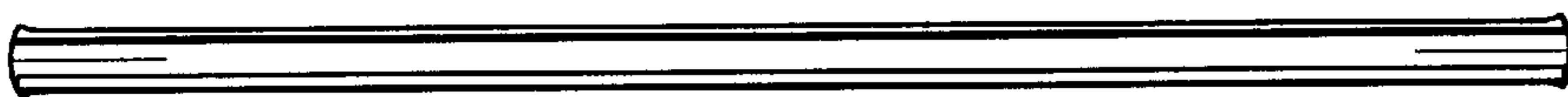


FIG. 11