



US00D434082S

United States Patent [19]

Tsiogas

[11] **Patent Number: Des. 434,082**

[45] **Date of Patent: ** Nov. 21, 2000**

[54] **COMBINED MAILBOX AND SIGN HOLDER**

[76] Inventor: **Jim Tsiogas**, 4881 Sans Souci,
Northport, Fla. 34287

[**] Term: **14 Years**

[21] Appl. No.: **29/121,073**

[22] Filed: **Apr. 3, 2000**

[51] **LOC (7) Cl. 19-08**

[52] **U.S. Cl. D20/41; D99/32**

[58] **Field of Search D20/10, 40, 41,
D20/99, 17; D25/126, 127; D99/29-33;
40/606, 607, 609, 610, 611, 612, 584, 624**

[56] **References Cited**

U.S. PATENT DOCUMENTS

- D. 399,263 10/1998 Christopher D20/41
- D. 410,253 5/1999 Gagnon D20/41

Primary Examiner—Marcus A. Jackson
Attorney, Agent, or Firm—Harold D. Shall

[57] **CLAIM**

The ornamental design for a “combined mailbox and sign holder,” as shown.

DESCRIPTION

FIG. 1 is a perspective view of a combined mailbox and sign holder showing my new design and having a round cross section;

FIG. 2 is a right side elevational view;

FIG. 3 is a left side elevational view;

FIG. 4 is a front elevational view;

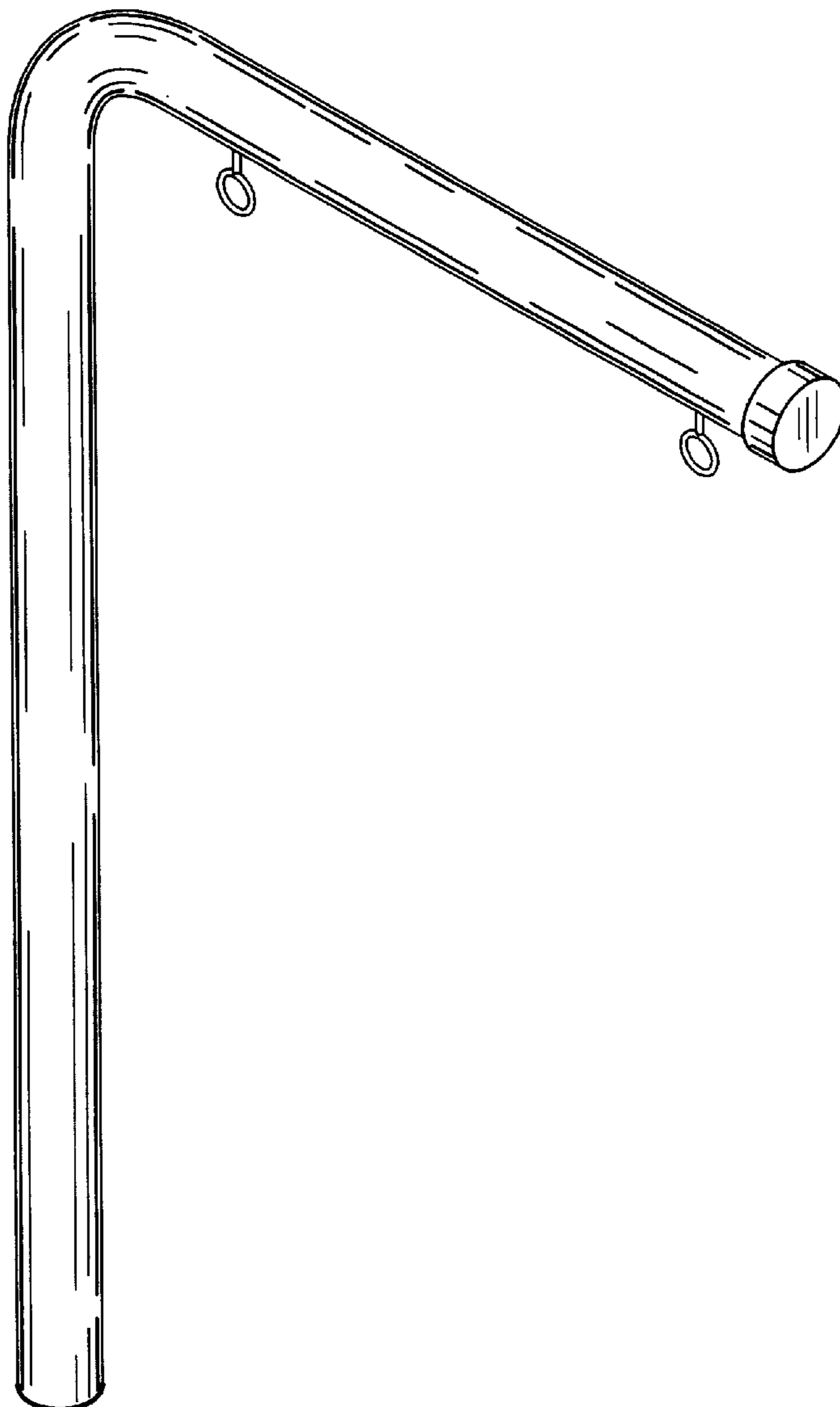
FIG. 5 is a rear elevational view;

FIG. 6 is a top plan view; and

FIG. 7 is a bottom plan view; and,

FIG. 8 is a perspective view of a second embodiment of my invention having a square cross section.

1 Claim, 6 Drawing Sheets



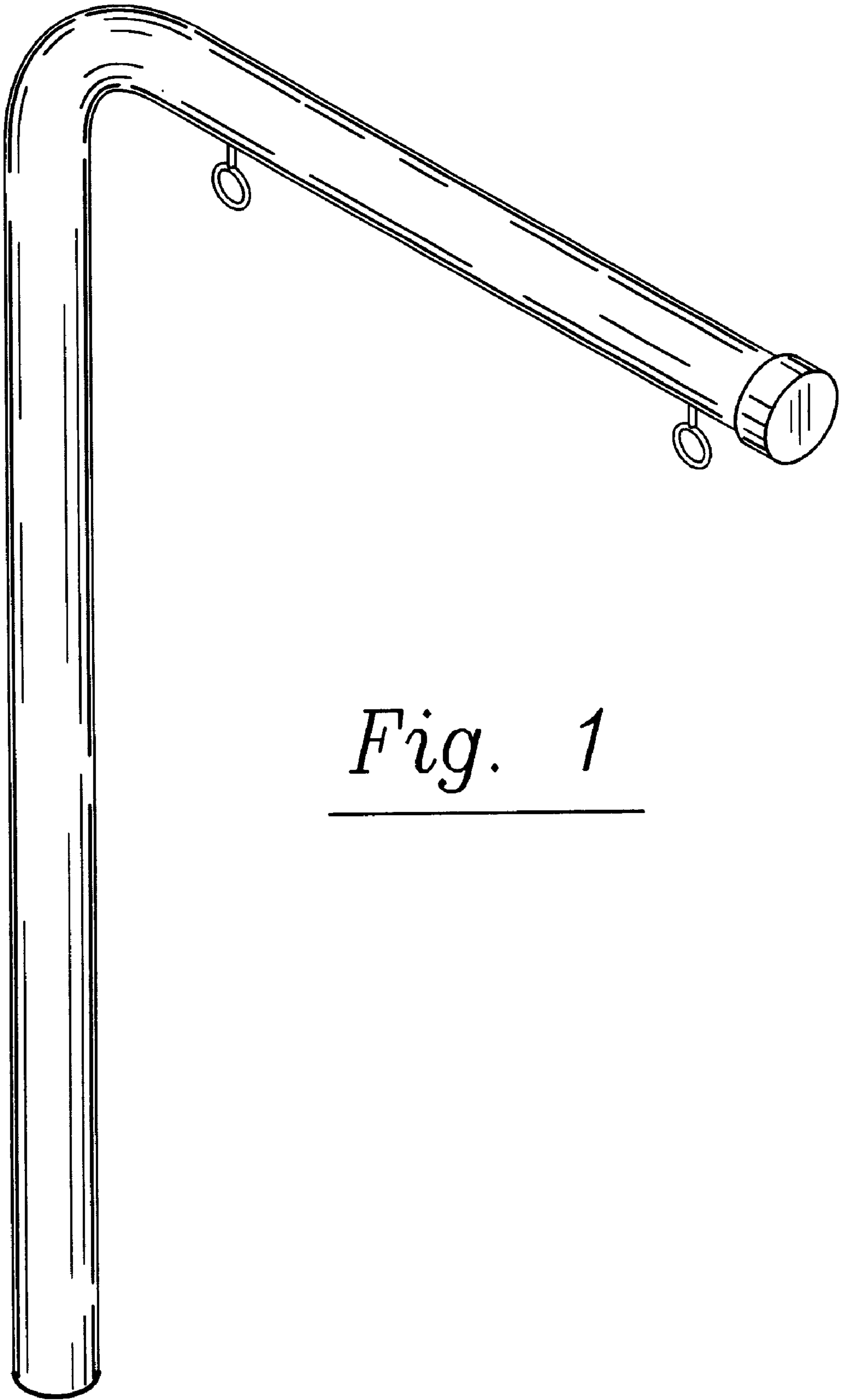


Fig. 1

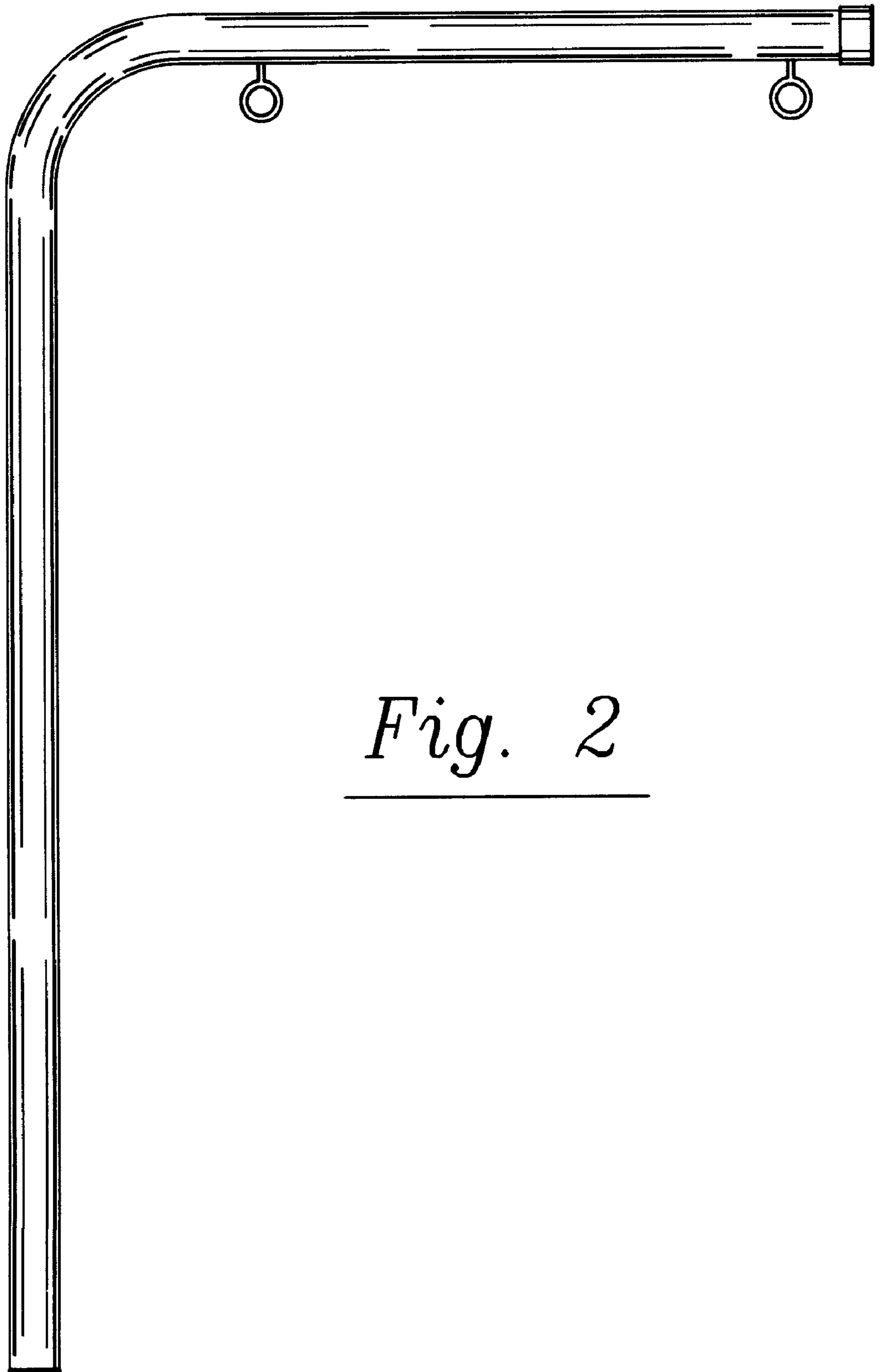


Fig. 2

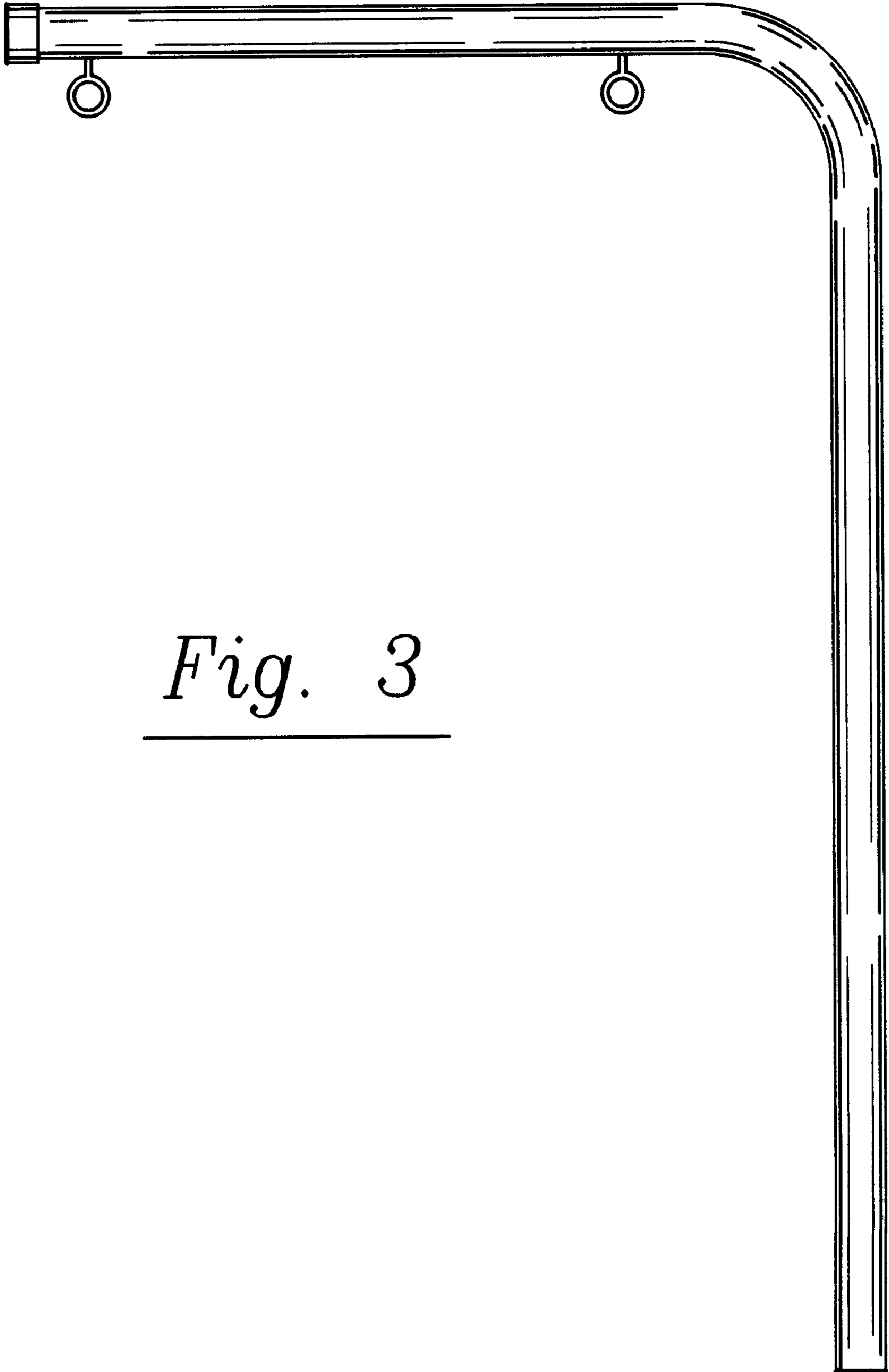


Fig. 3

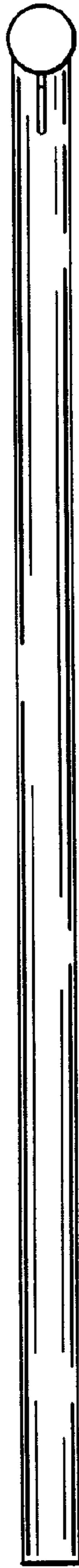


Fig. 4

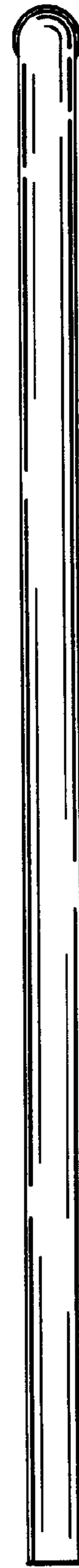


Fig. 5

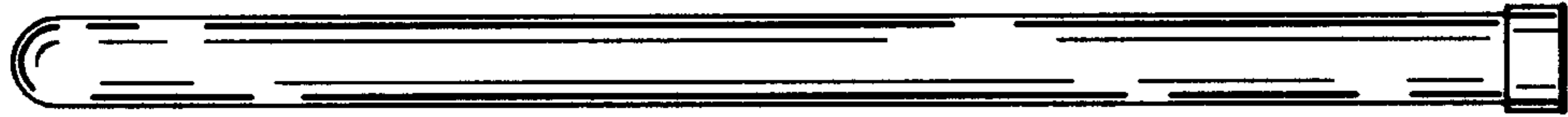


Fig. 6

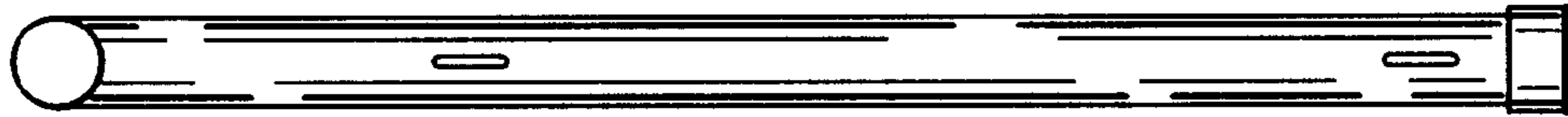


Fig. 7

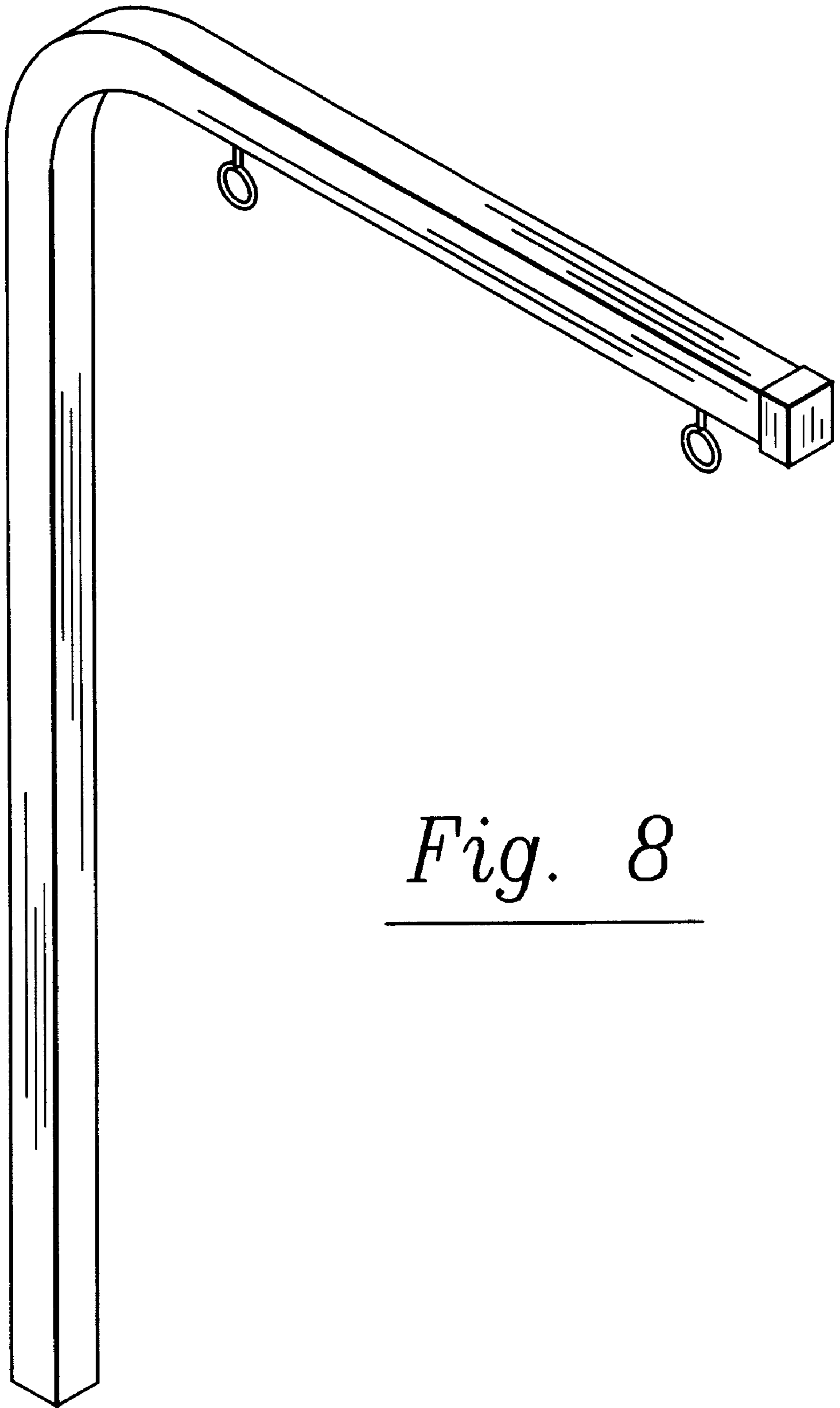


Fig. 8
