



US00D434080S

United States Patent [19]

Belokin et al.

[11] **Patent Number: Des. 434,080**

[45] **Date of Patent: ** Nov. 21, 2000**

[54] **MULTI COMPARTMENT DISPLAY**

D. 395,972 7/1998 Levy D20/42
D. 410,969 6/1999 Sexton D20/10

[76] Inventors: **Paul Belokin; Martin P. Belokin**, both of 7801 I-35 North, Denton, Tex. 76202; **Norman P. Belokin**, 1606 Oak Ridge Dr., Corinth, Tex. 76205

Primary Examiner—Marcus A. Jackson
Attorney, Agent, or Firm—Jack A. Kanz

[**] Term: **14 Years**

[57] **CLAIM**

The ornamental design for a multi compartment display, as shown and described.

[21] Appl. No.: **29/123,445**

[22] Filed: **May 18, 2000**

DESCRIPTION

[51] **LOC (7) Cl.** **19-08**

[52] **U.S. Cl.** **D20/10**

[58] **Field of Search** D20/10, 42, 43,
D20/44, 99; 40/584, 606, 607, 608, 700,
725

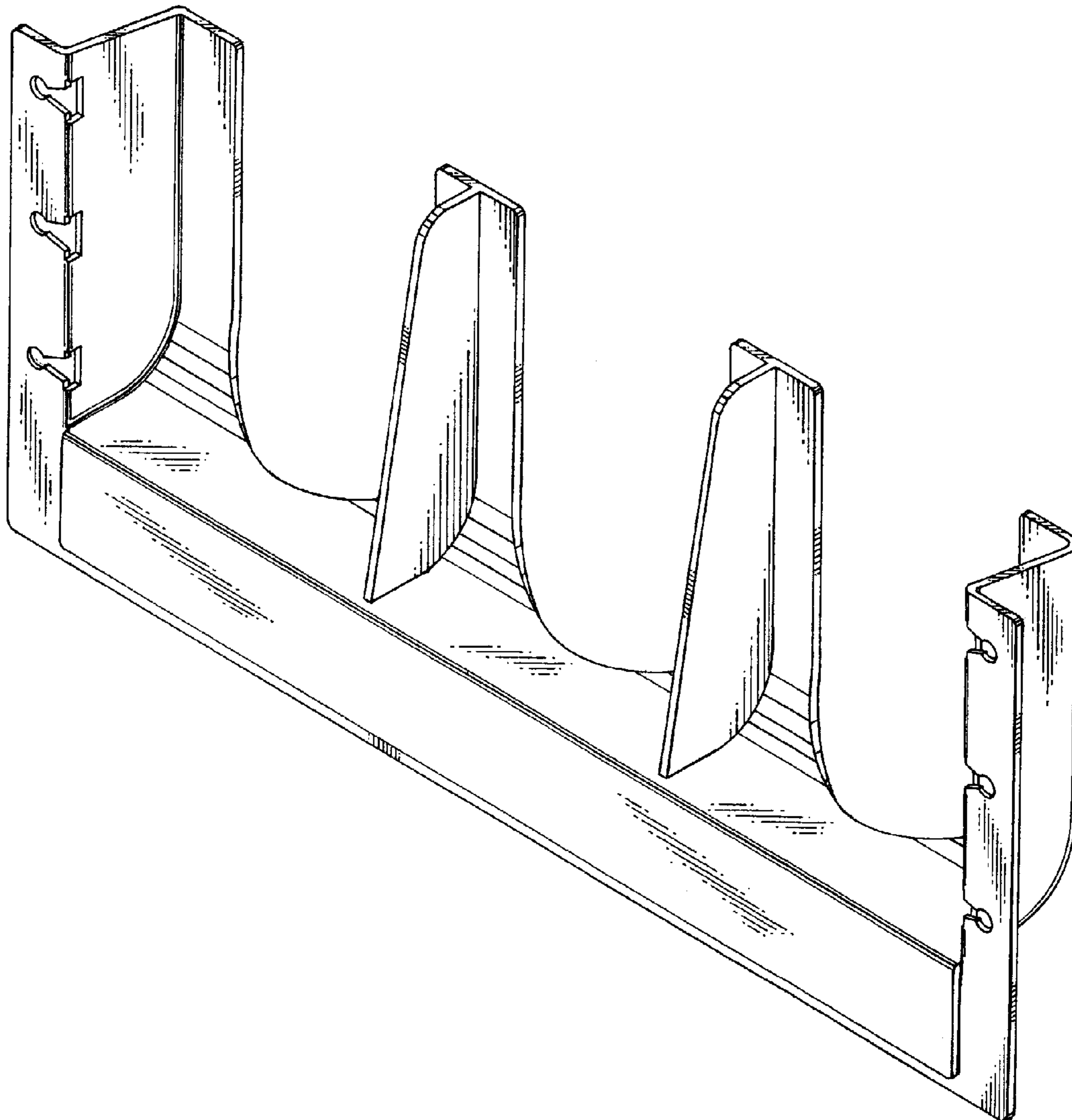
FIG. 1 is a front perspective view of a multi compartment display showing our new design;
FIG. 2 is a side elevational view of the left-hand side thereof, the right-hand side view being a mirror image of FIG. 2;
FIG. 3 is a top plan view thereof;
FIG. 4 is a front elevation view thereof; and,
FIG. 5 is a bottom plan view of our new design for a multi compartment display.

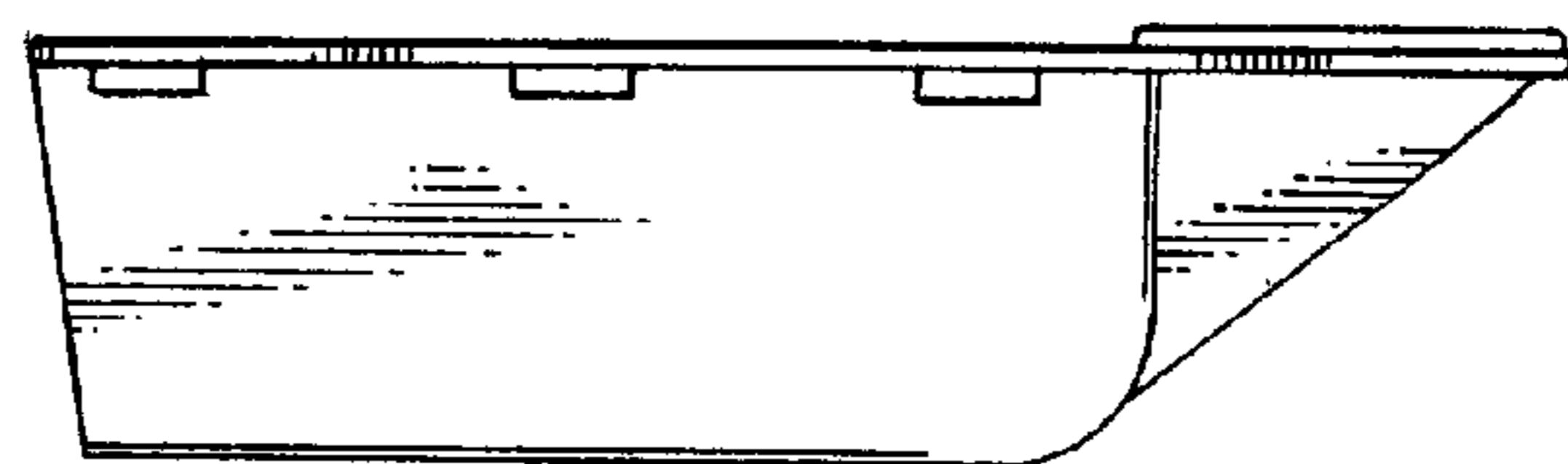
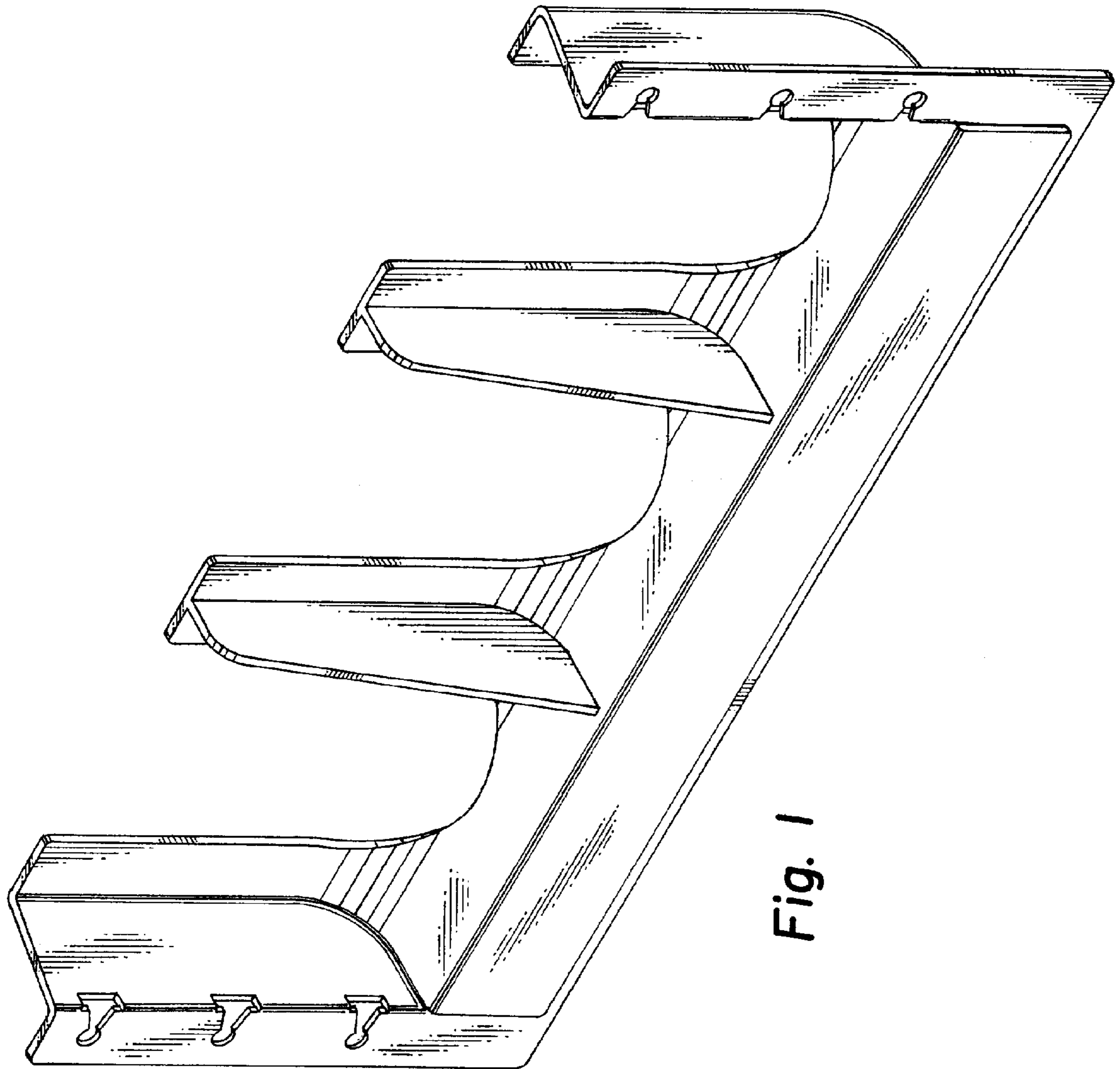
[56] **References Cited**

U.S. PATENT DOCUMENTS

D. 378,254 3/1997 Markson D20/43

1 Claim, 2 Drawing Sheets





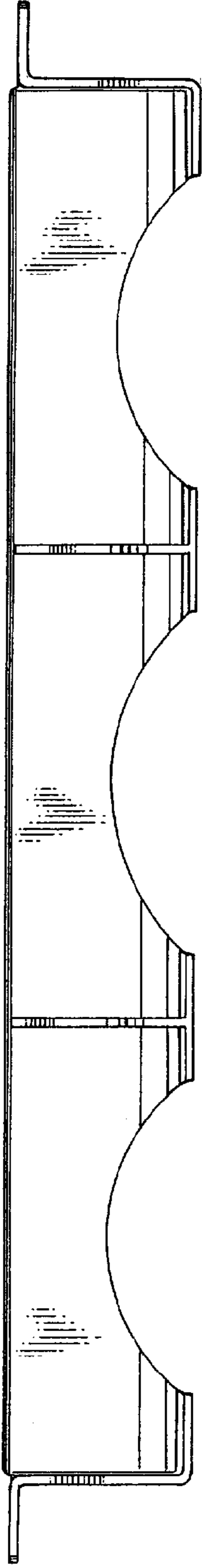


Fig. 3

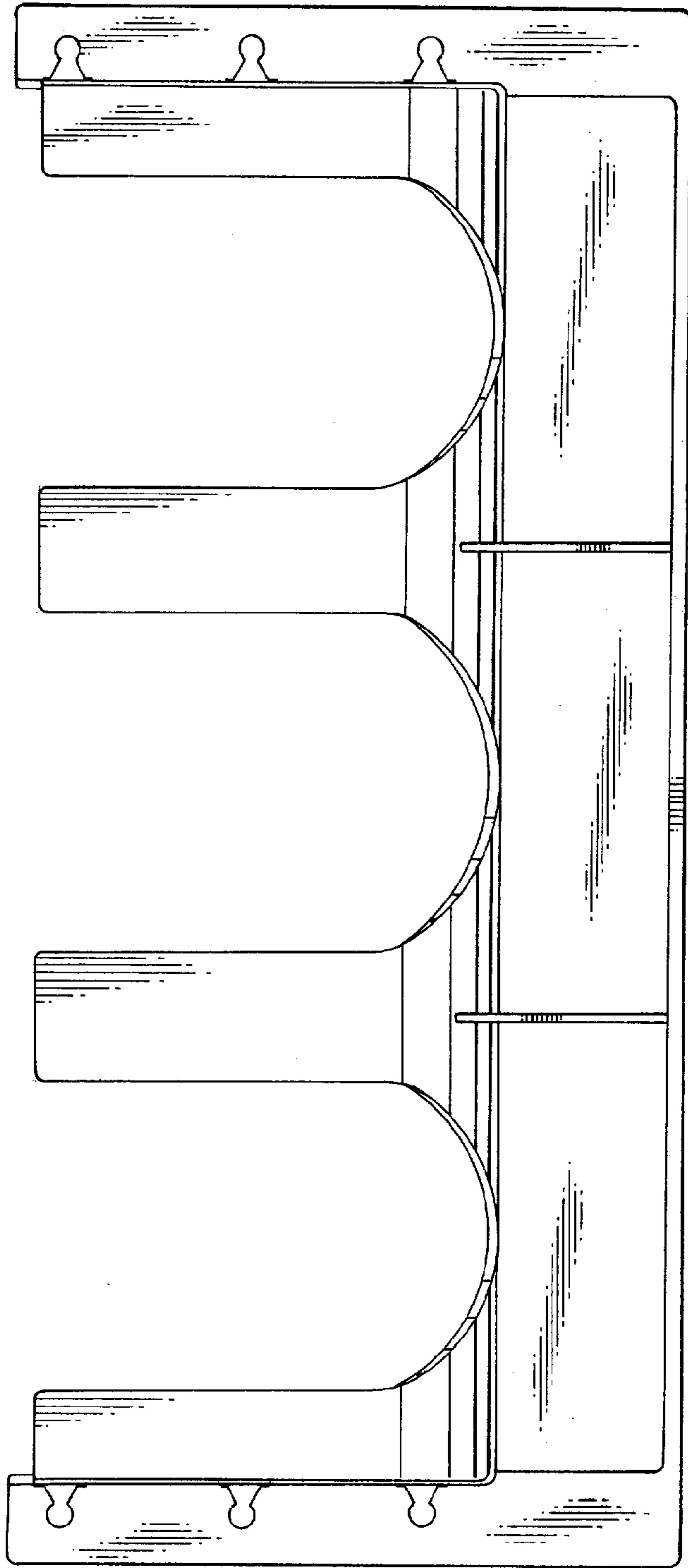


Fig. 4

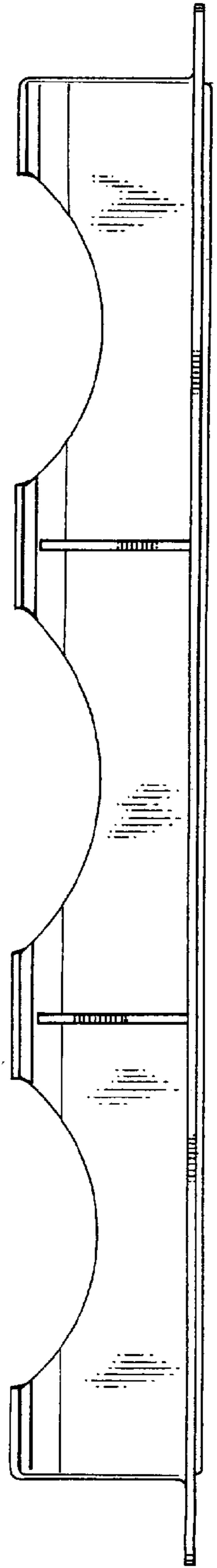


Fig. 5