



US00D434079S

United States Patent [19]
Sturla

[11] **Patent Number: Des. 434,079**

[45] **Date of Patent: ** Nov. 21, 2000**

[54] **ADVERTISING STRUCTURE IN THE FORM OF A SOCCER GOAL**

[75] Inventor: **Carlos Maria Sturla**, Capital Federal, Argentina

[73] Assignee: **Promakers, S.A.**, Piso, Argentina

[**] Term: **14 Years**

[21] Appl. No.: **29/117,234**

[22] Filed: **Jan. 19, 2000**

[30] **Foreign Application Priority Data**

Aug. 31, 1999 [AR] Argentina 67105

[51] **LOC (7) Cl.** **19-08**

[52] **U.S. Cl.** **D20/10; D21/318**

[58] **Field of Search** D20/10, 19, 40, D20/41, 42; 40/584, 606, 607, 608, 610, 611, 612, 624; D21/318

[56] **References Cited**

U.S. PATENT DOCUMENTS

D. 396,252 7/1998 Geier et al. D20/41

Primary Examiner—Marcus A. Jackson
Attorney, Agent, or Firm—Darby & Darby

[57] **CLAIM**

The ornamental design for an advertising structure in the form of a soccer goal, as shown and described.

DESCRIPTION

FIG. 1 is a perspective view of a first embodiment of the present invention;
FIG. 2 is a front elevational view thereof;
FIG. 3 is a left side elevational view thereof, the right side being a mirror image;
FIG. 4 is a rear elevational view thereof;
FIG. 5 is a top plan view thereof;
FIG. 6 is a bottom plan view thereof;
FIG. 7 is a perspective view of a second embodiment according to the present invention;
FIG. 8 is a front elevational view thereof;
FIG. 9 is a left side elevational view thereof, the right side being a mirror image;
FIG. 10 is a rear elevational view thereof;
FIG. 11 is a top plan view thereof; and,
FIG. 12 is a bottom plan view thereof.

1 Claim, 6 Drawing Sheets

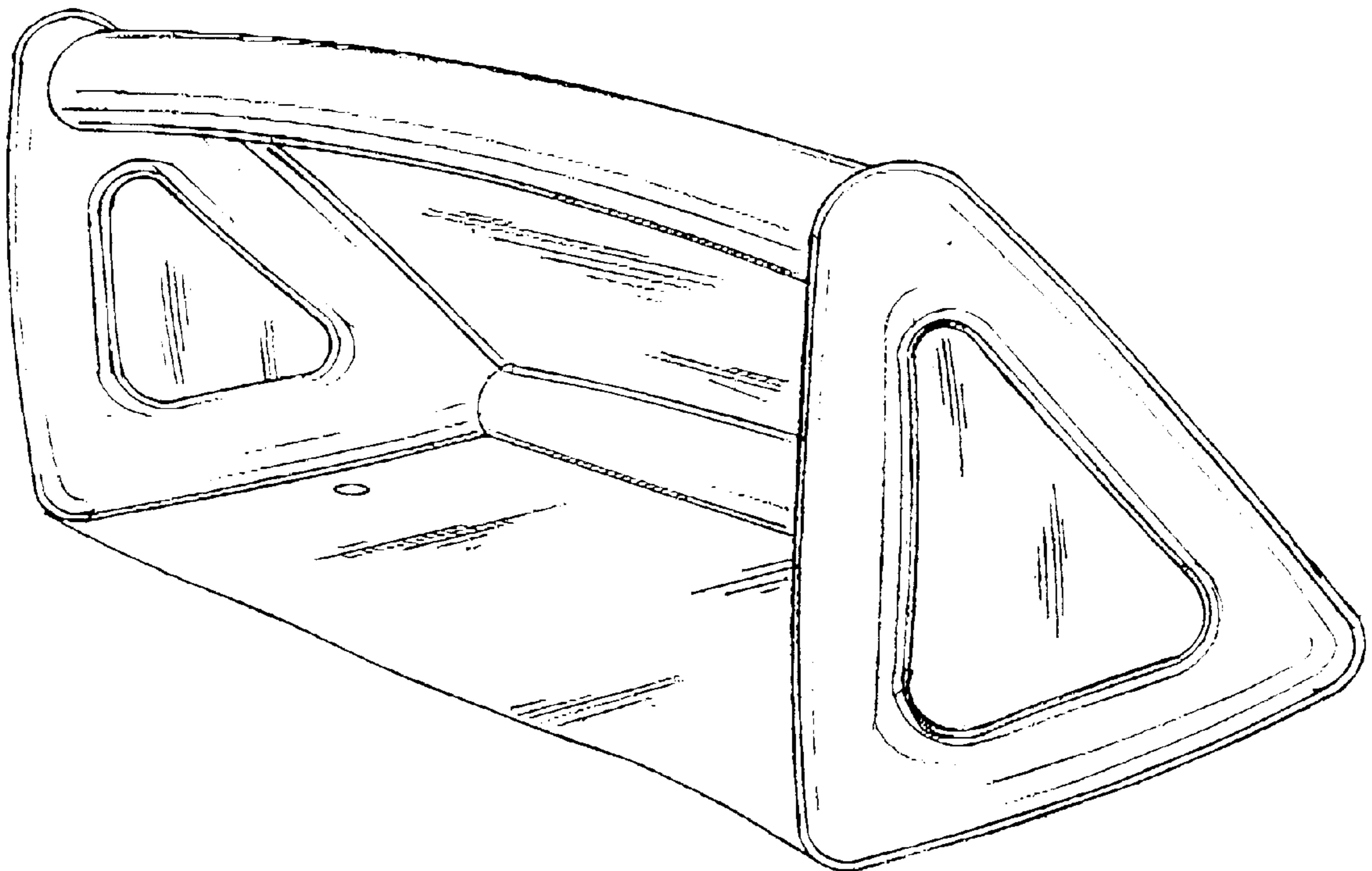


FIG. 1

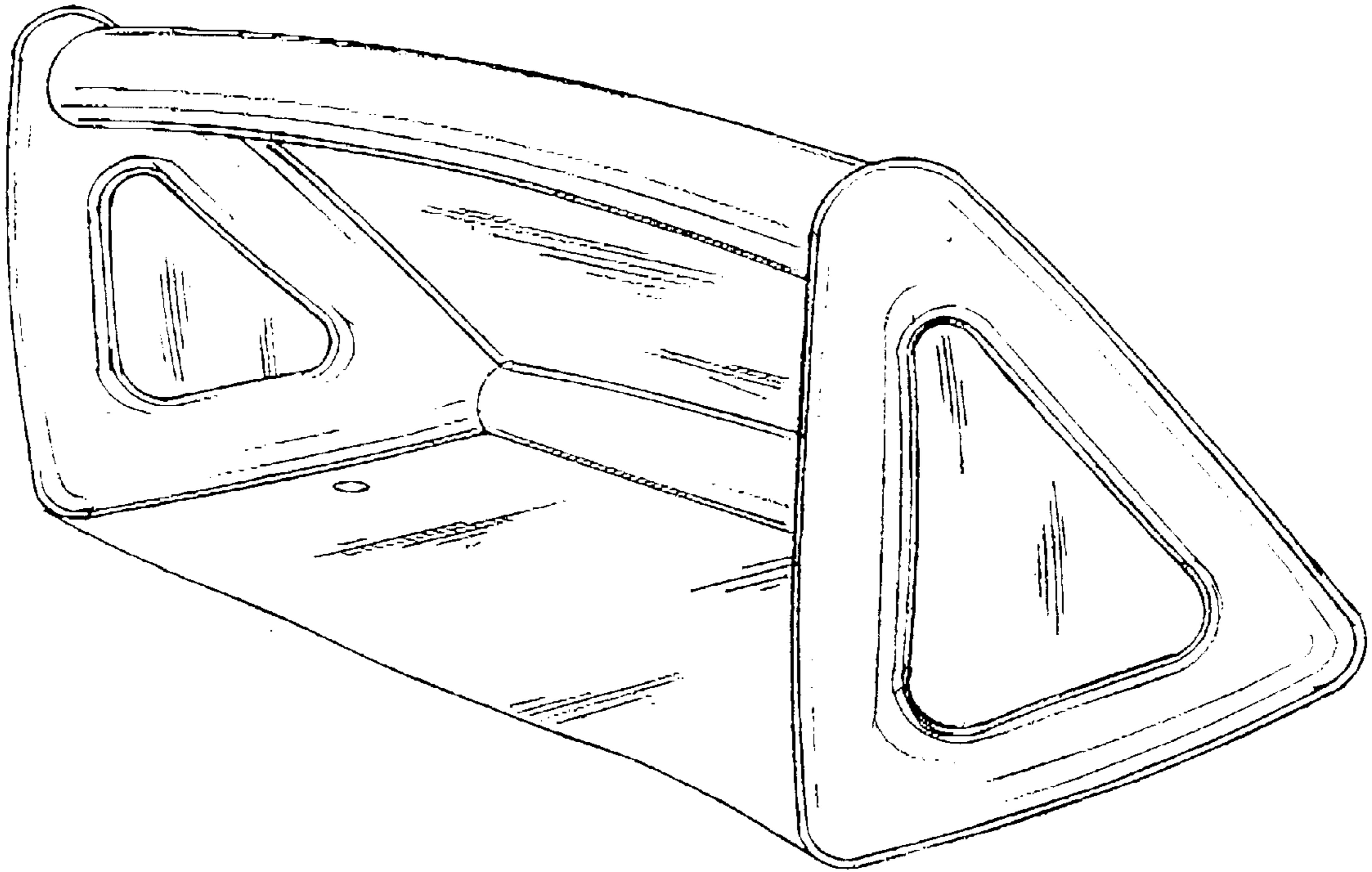
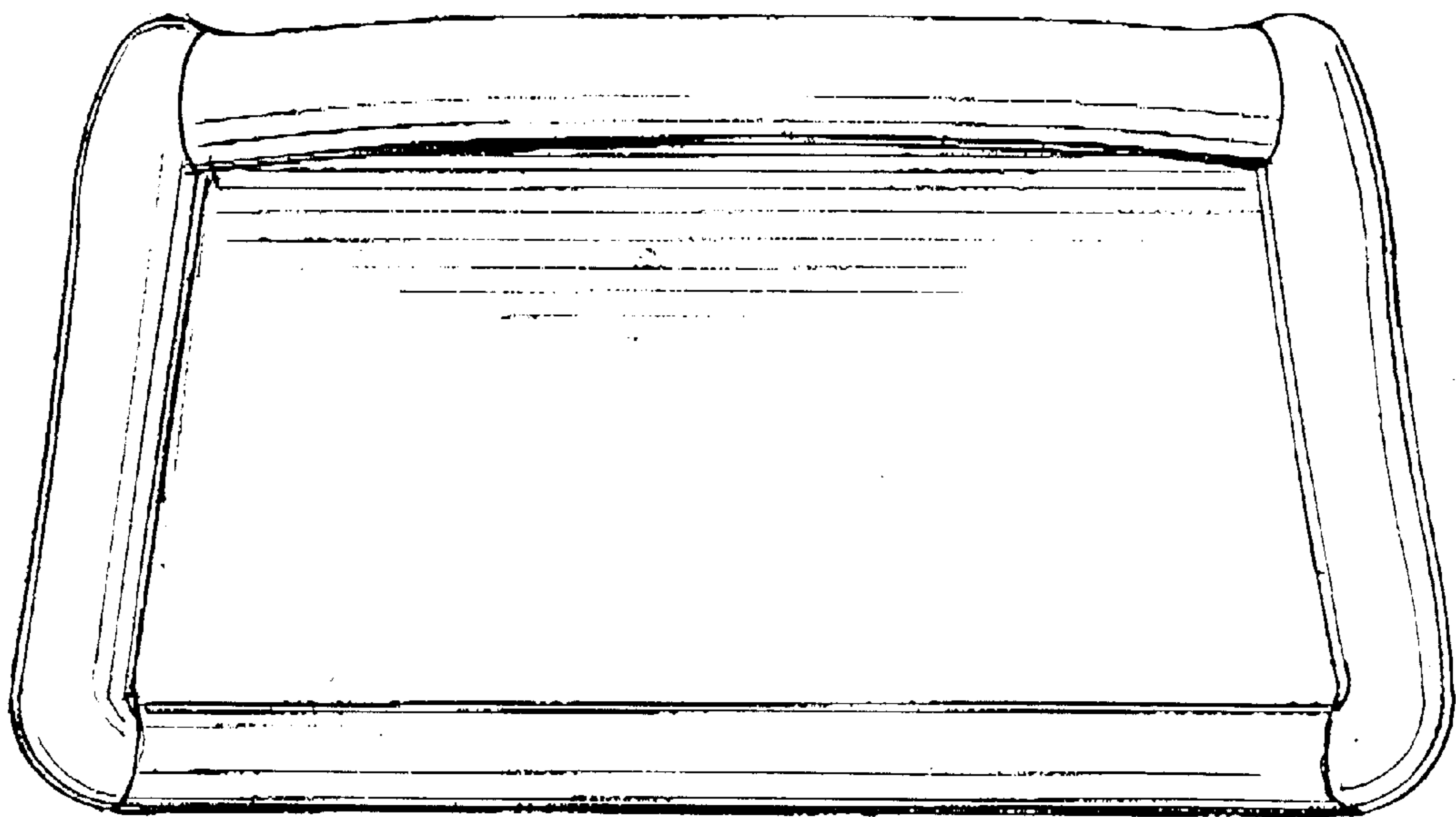


FIG. 2



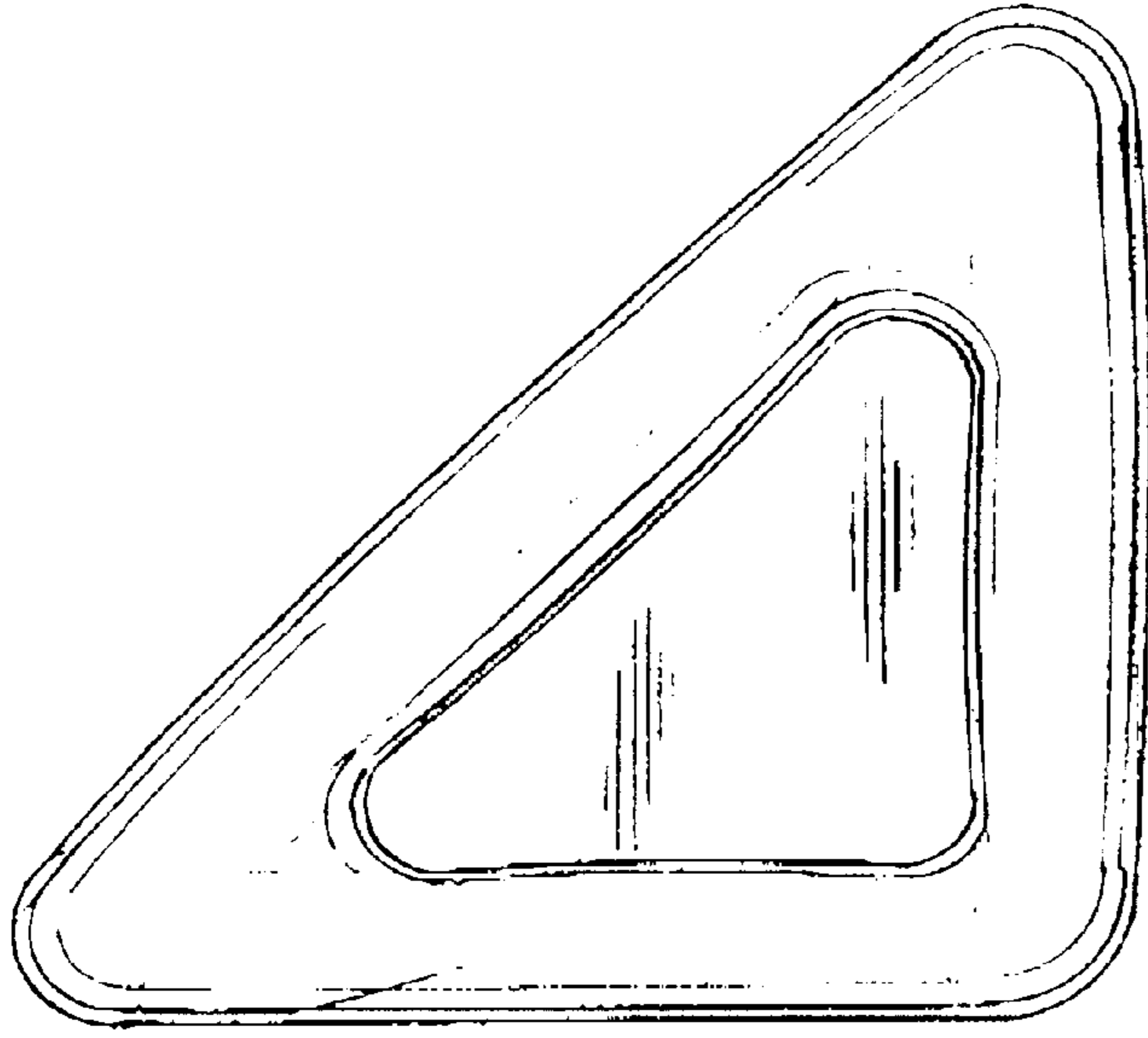


FIG. 3

FIG. 4

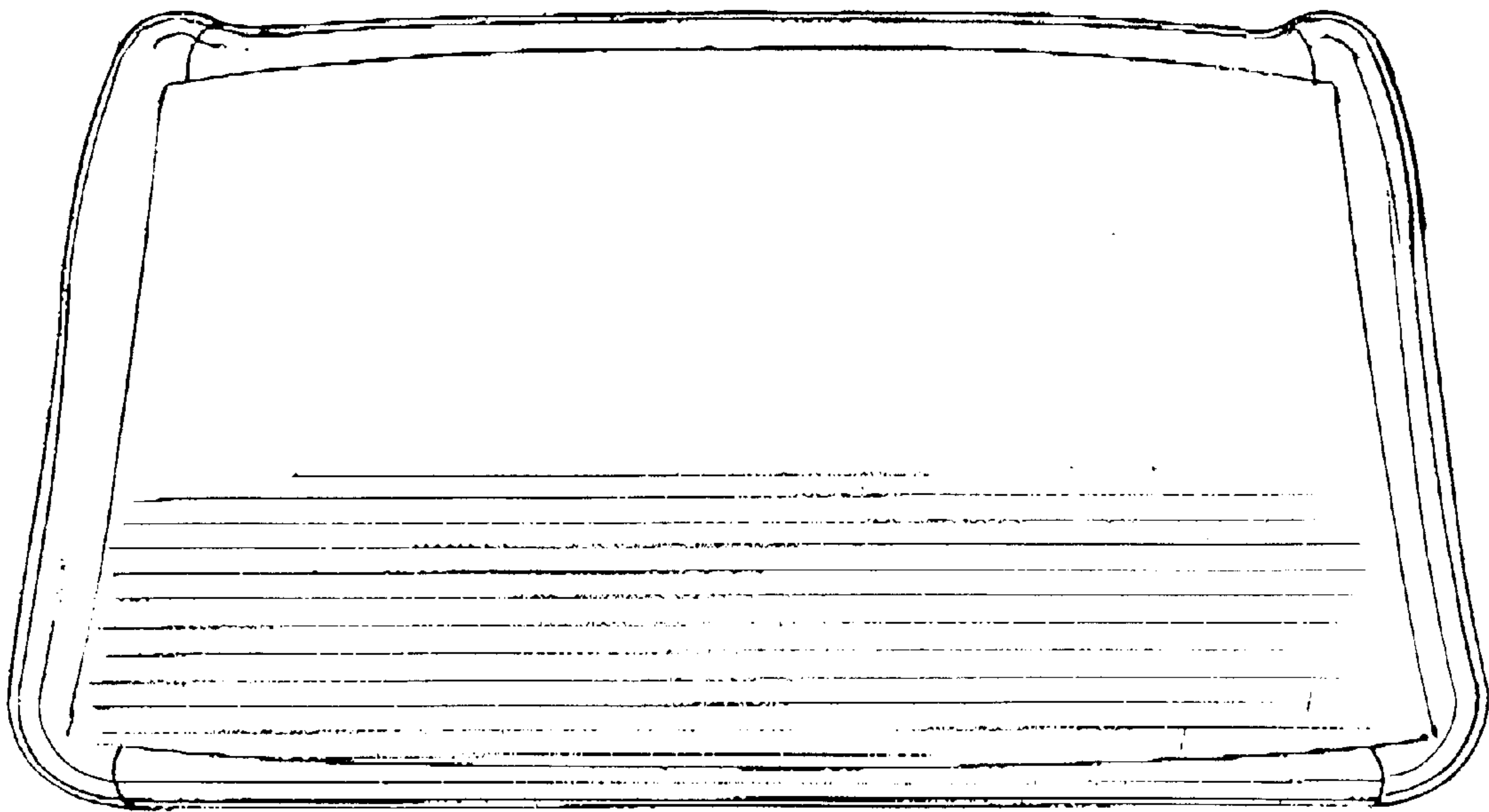


FIG. 5

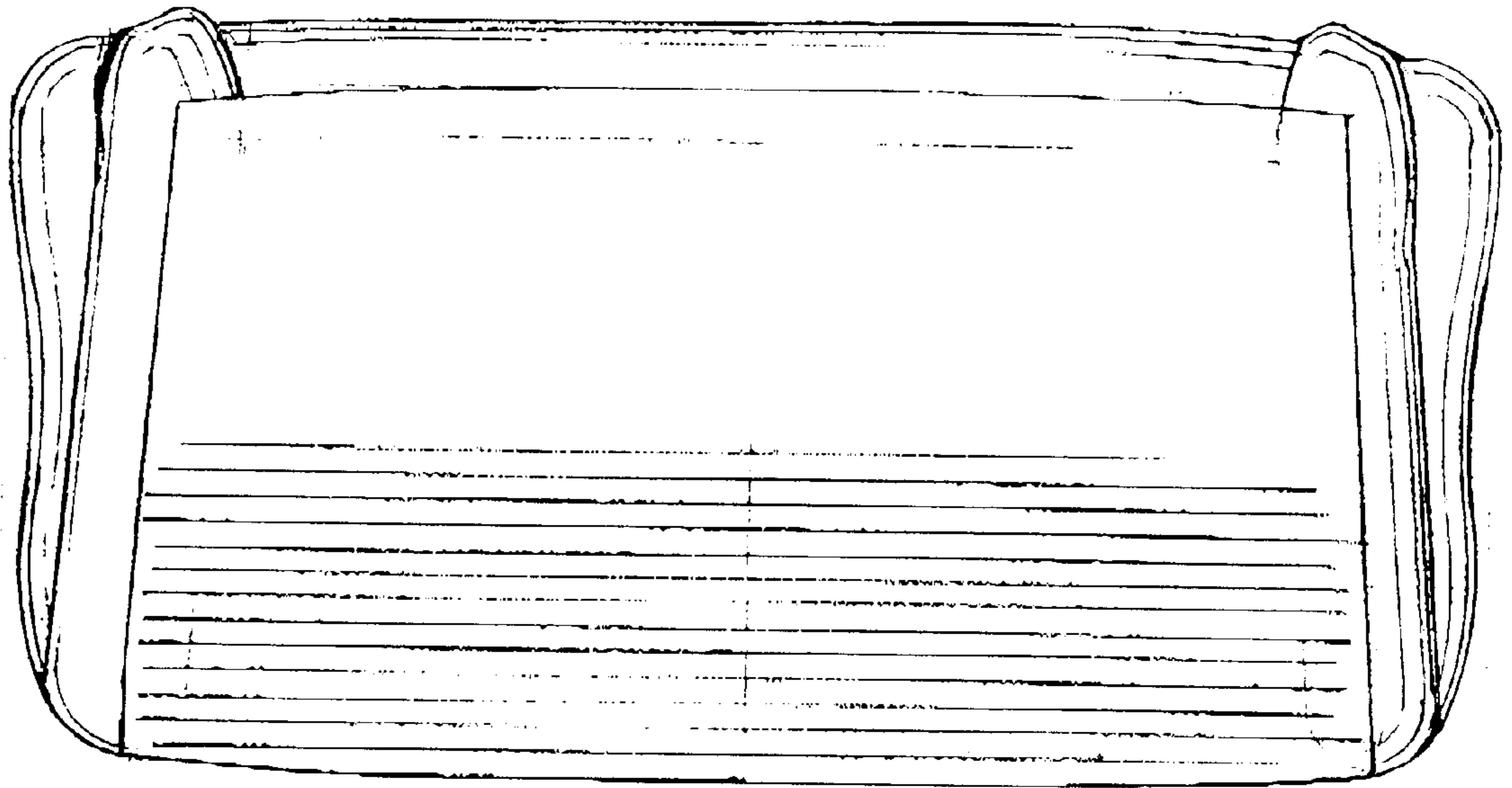


FIG. 6

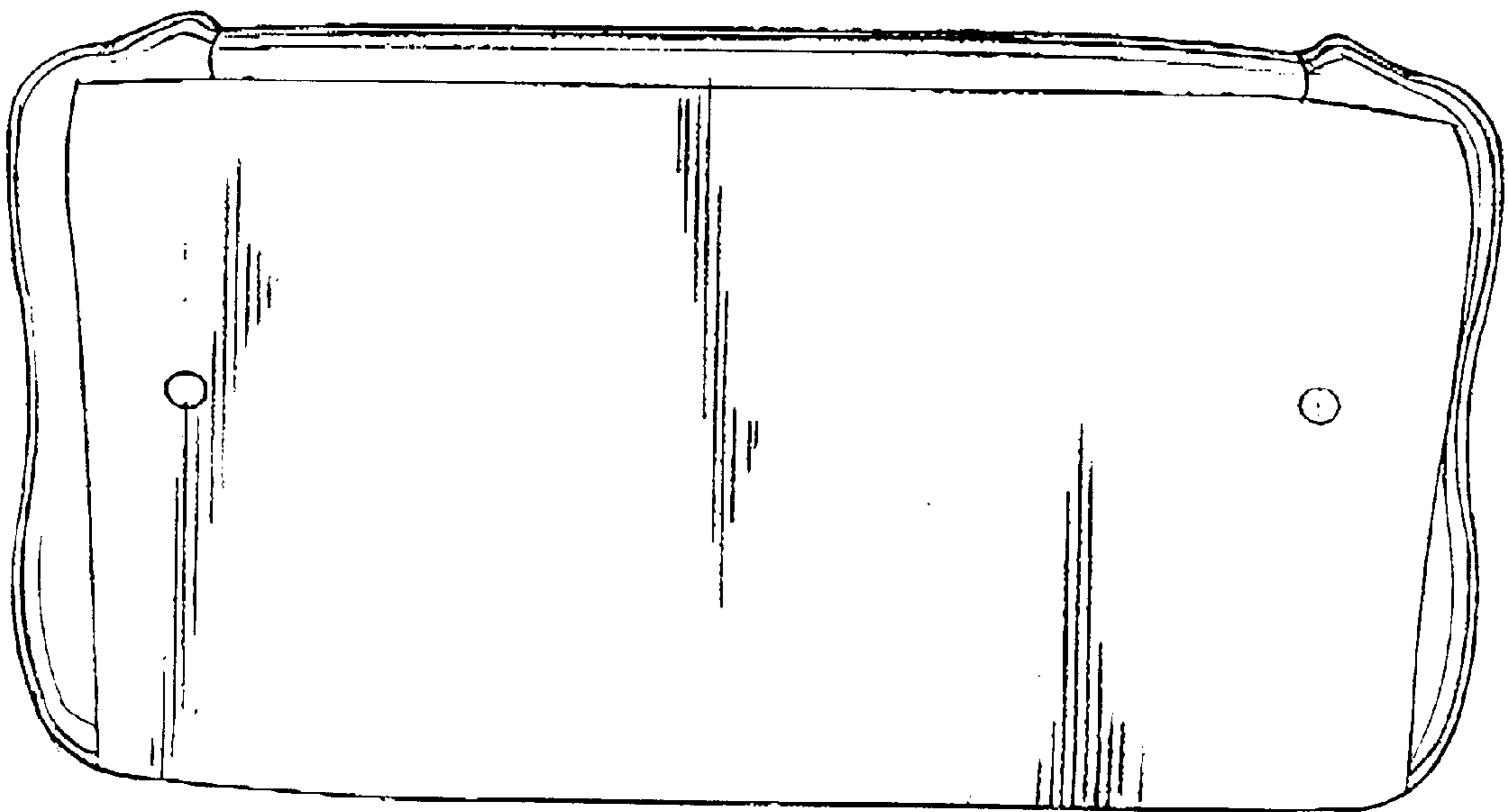


FIG. 7

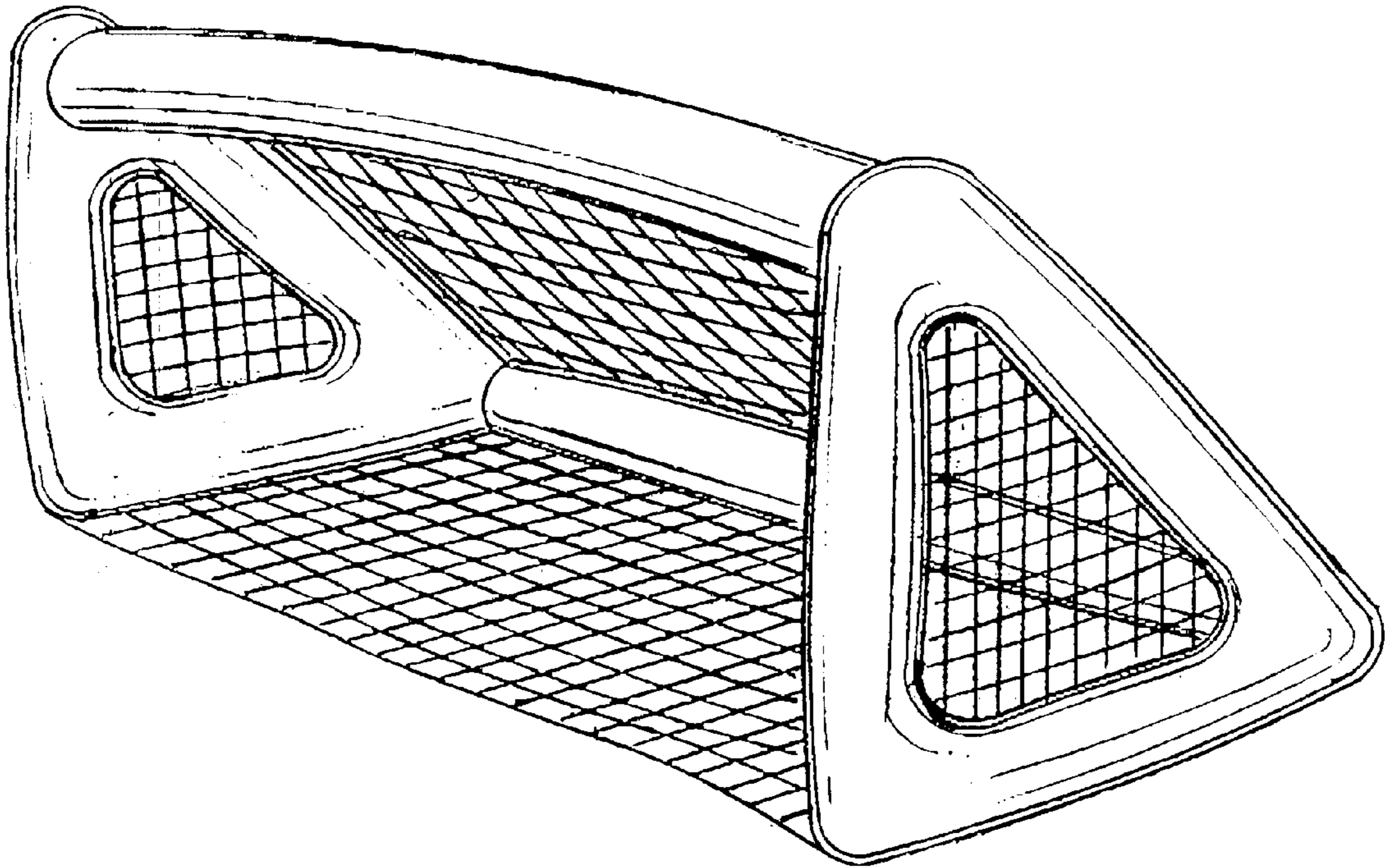
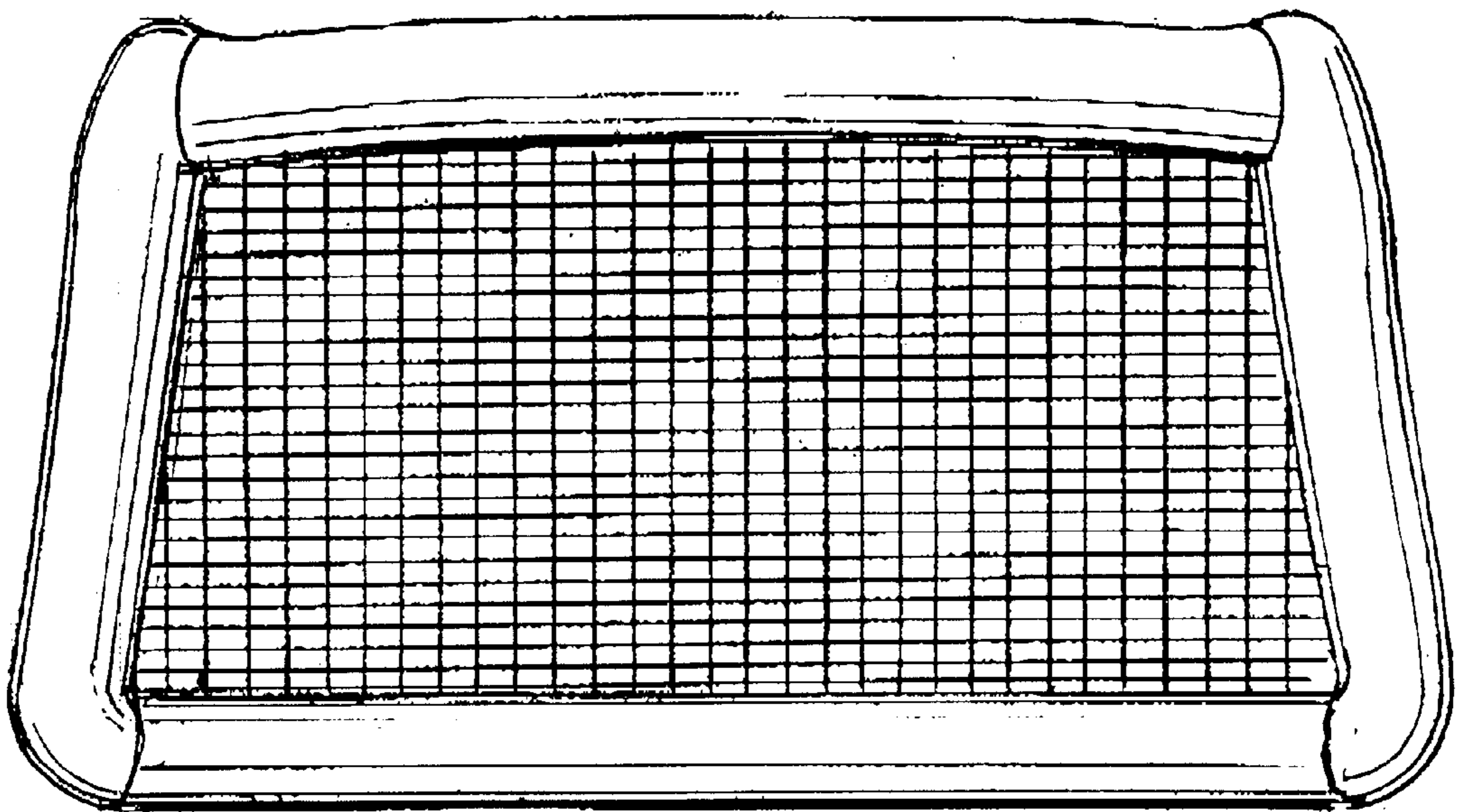


FIG. 8



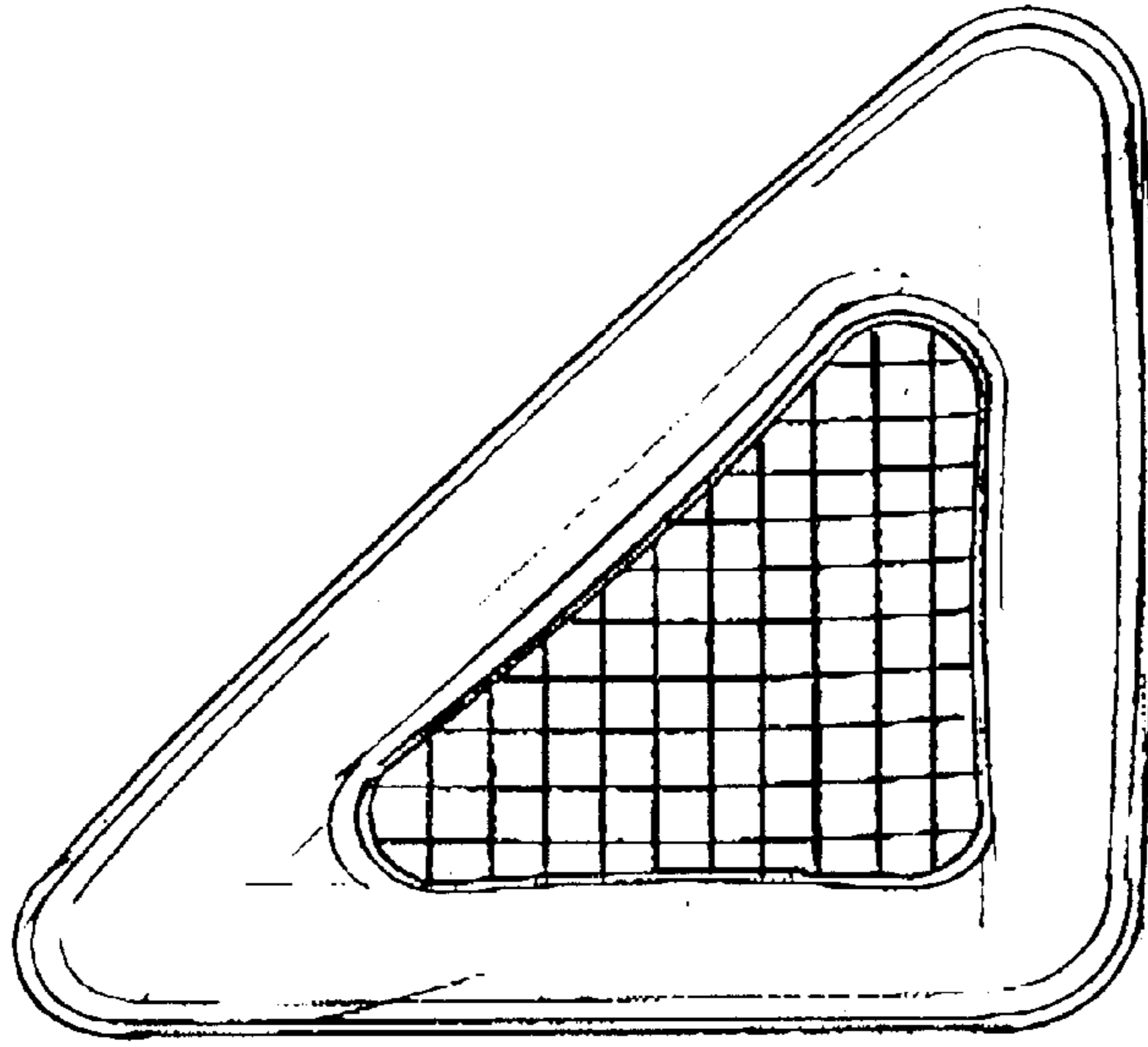


FIG. 9

FIG. 10

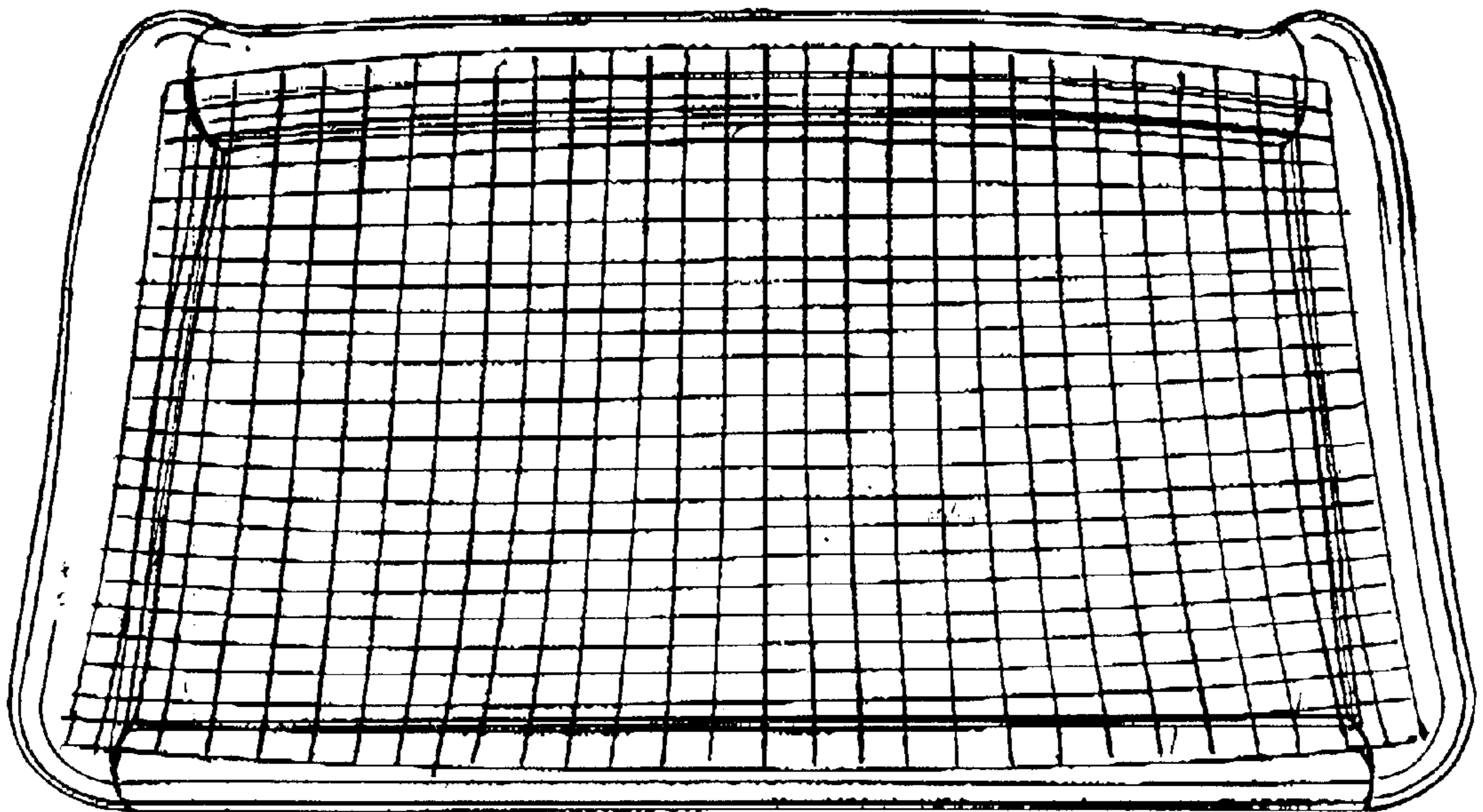


FIG. 11

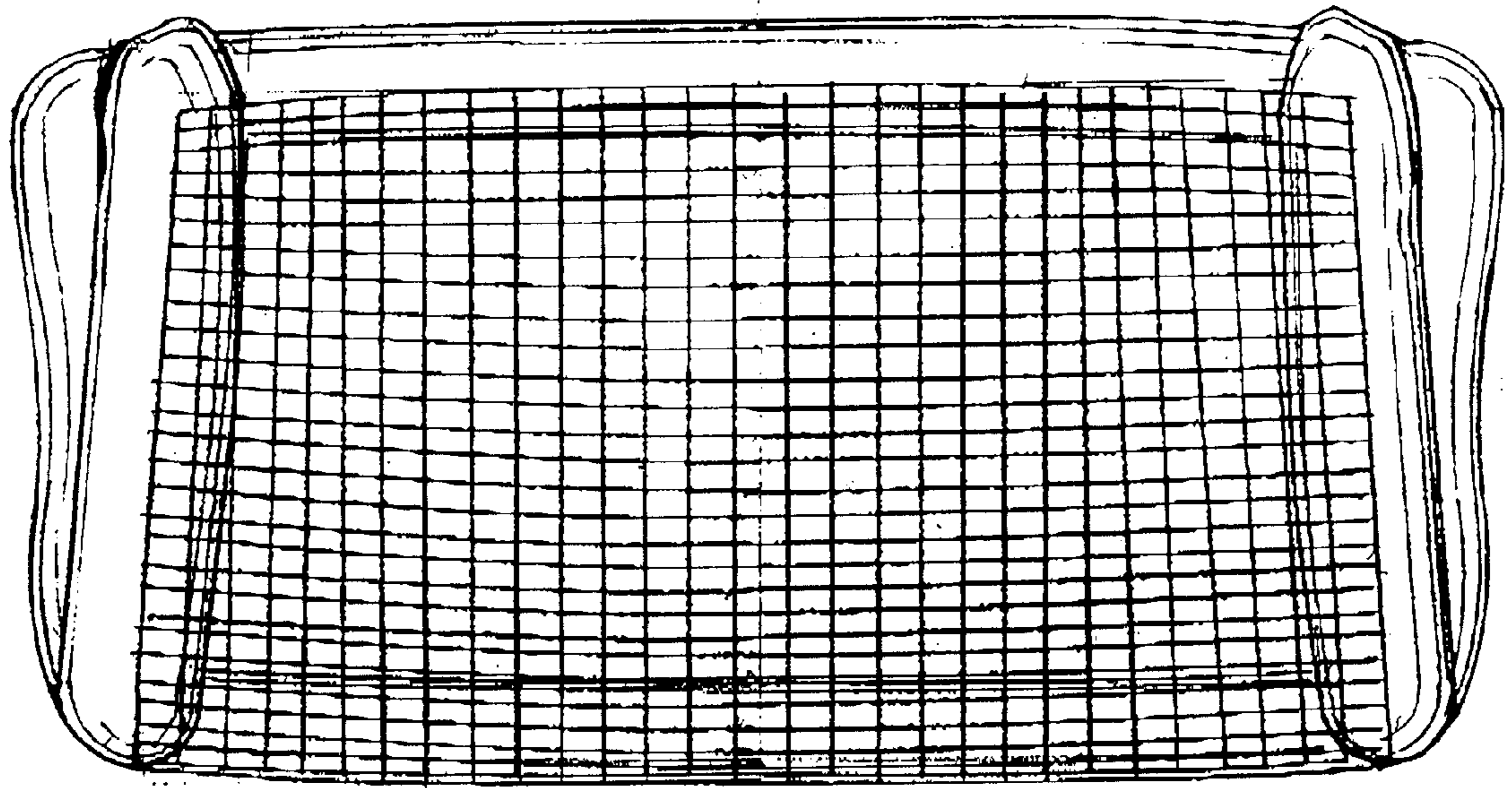


FIG. 12

