



US00D434078S

United States Patent [19]
Matsumoto

[11] **Patent Number: Des. 434,078**

[45] **Date of Patent: ** Nov. 21, 2000**

[54] **INFORMATION SERVICE TERMINAL APPARATUS**

[75] Inventor: **Masahiro Matsumoto**, Atsugi, Japan

[73] Assignee: **Anritsu Corporation**, Tokyo, Japan

[**] Term: **14 Years**

[21] Appl. No.: **29/105,978**

[22] Filed: **Jun. 7, 1999**

[30] **Foreign Application Priority Data**

Dec. 11, 1998 [JP] Japan 10-35868

[51] **LOC (7) Cl.** **19-08**

[52] **U.S. Cl.** **D20/10**

[58] **Field of Search** D20/10, 41; D14/100, D14/125, 129, 128; 40/540, 545, 584

[56] **References Cited**

U.S. PATENT DOCUMENTS

D. 377,784 2/1997 Wilson D20/10

D. 378,534 3/1997 Kato et al. D20/10

D. 391,565 3/1998 Nanjo D20/10
D. 417,440 12/1999 Wilson D20/10
D. 417,893 12/1999 Hunter et al. D20/10
D. 424,575 5/2000 Wilson D20/10

Primary Examiner—Marcus A. Jackson
Attorney, Agent, or Firm—Laff, Whitesel & Saret, Ltd.; J. Warren Whitesel

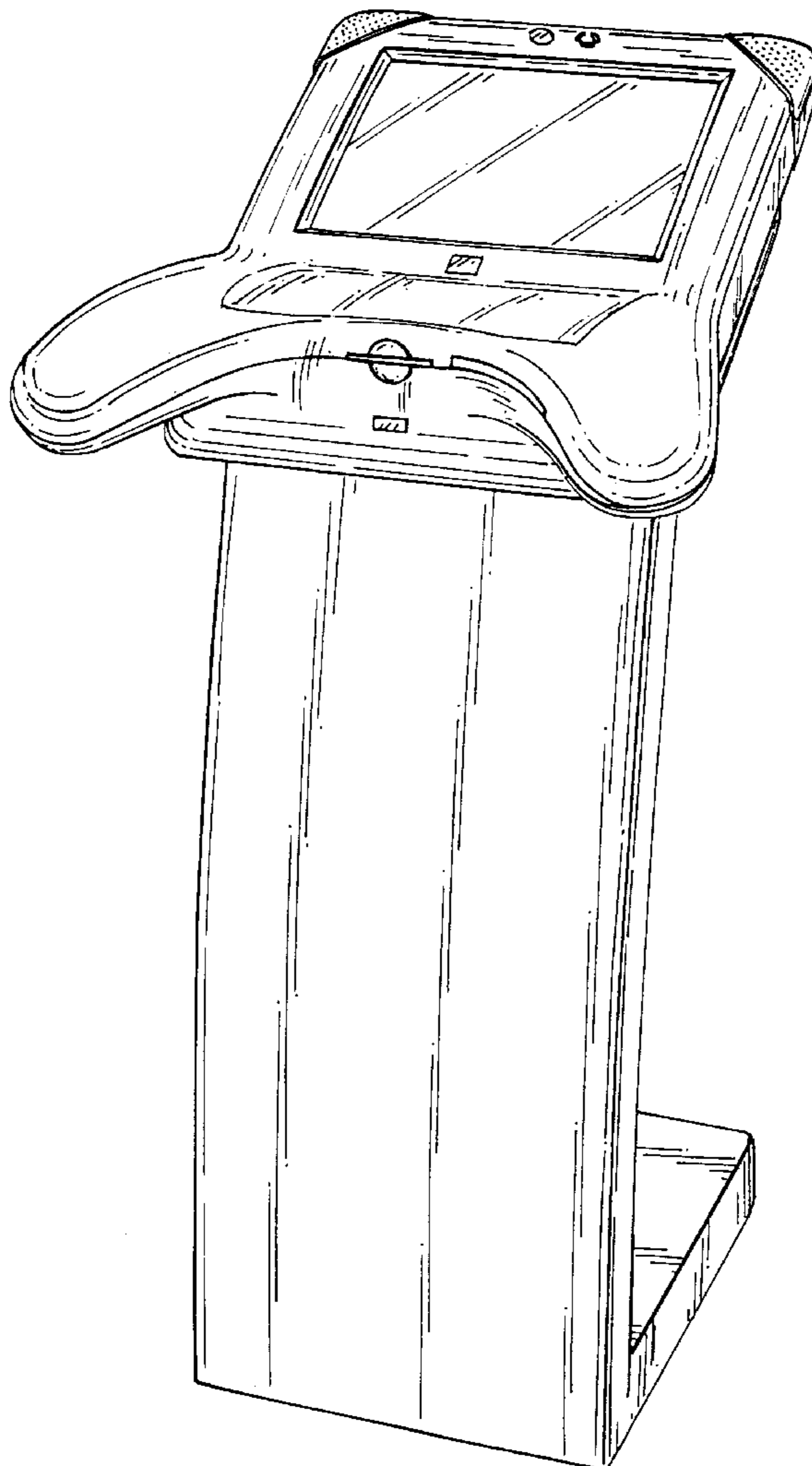
[57] **CLAIM**

The ornamental design for information service terminal apparatus, as shown and described.

DESCRIPTION

FIG. 1 is a front, top and right side perspective view of an information service terminal apparatus, showing my new design;
FIG. 2 is a front elevational view thereof;
FIG. 3 is a right side elevational view thereof; the opposite side being a mirror image thereof;
FIG. 4 is a top plan view thereof;
FIG. 5 is a bottom plan view thereof; and,
FIG. 6 is a rear elevational view thereof.

1 Claim, 3 Drawing Sheets



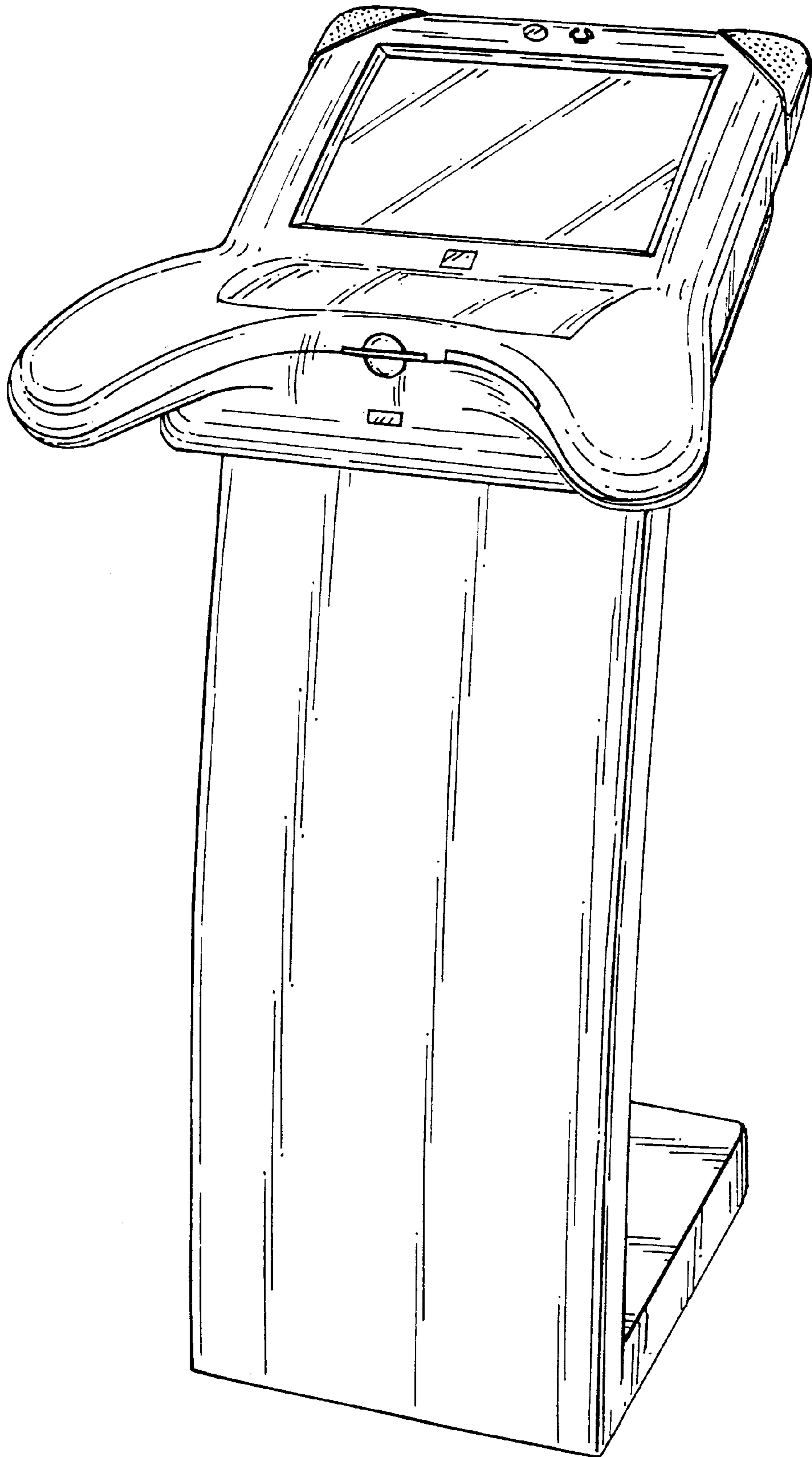


FIG. 1

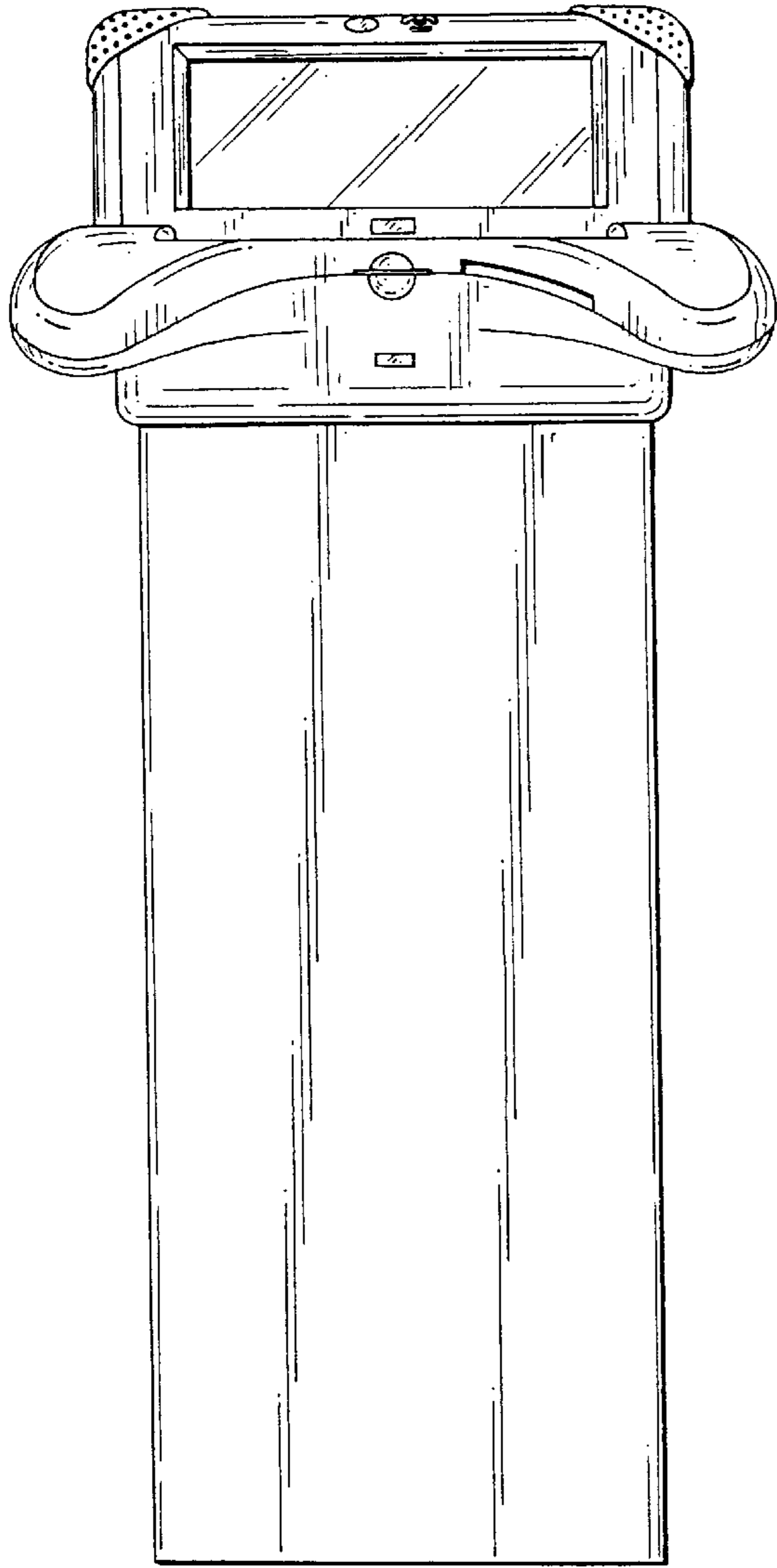


FIG. 2

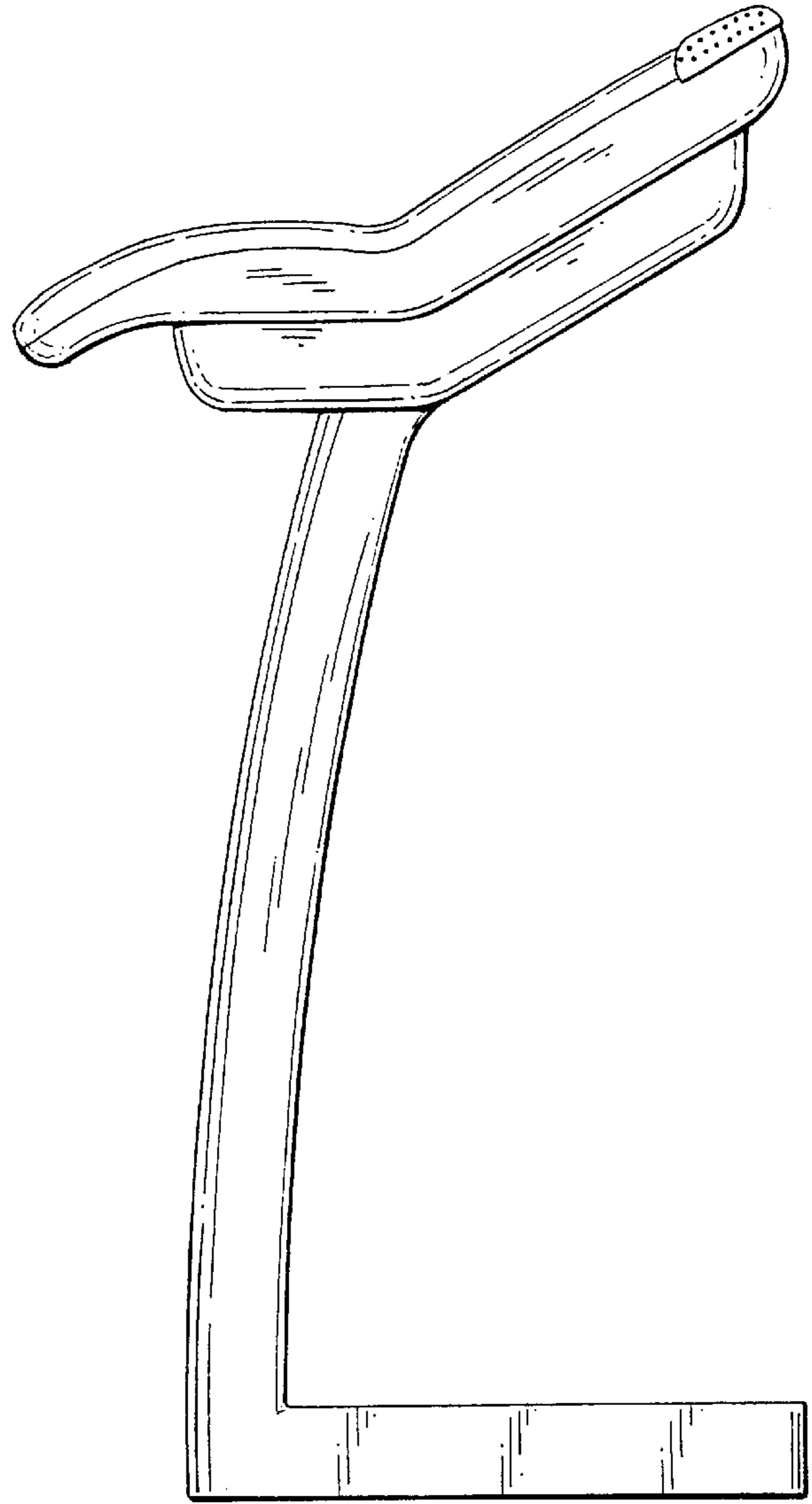


FIG. 3

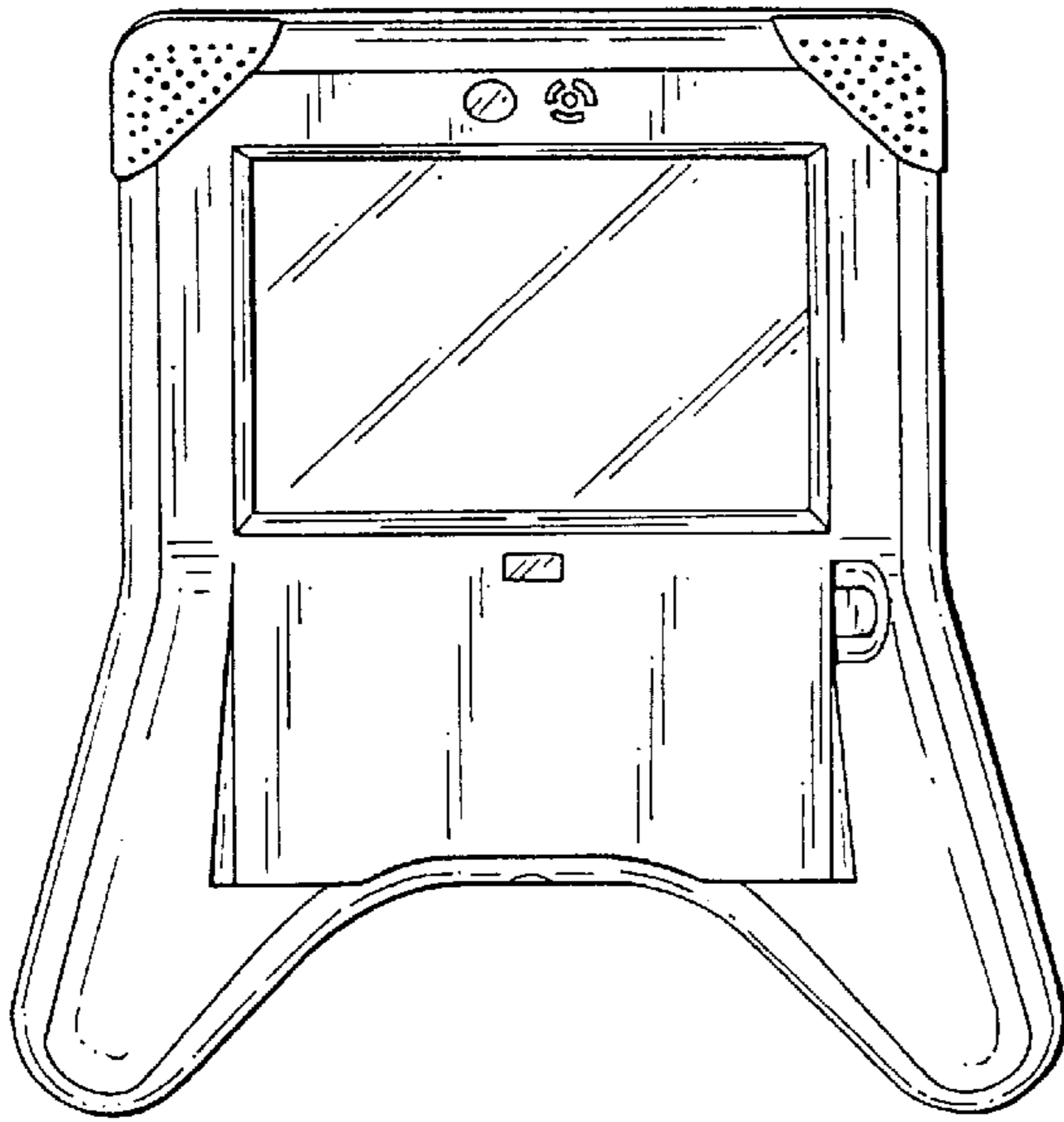


FIG. 4

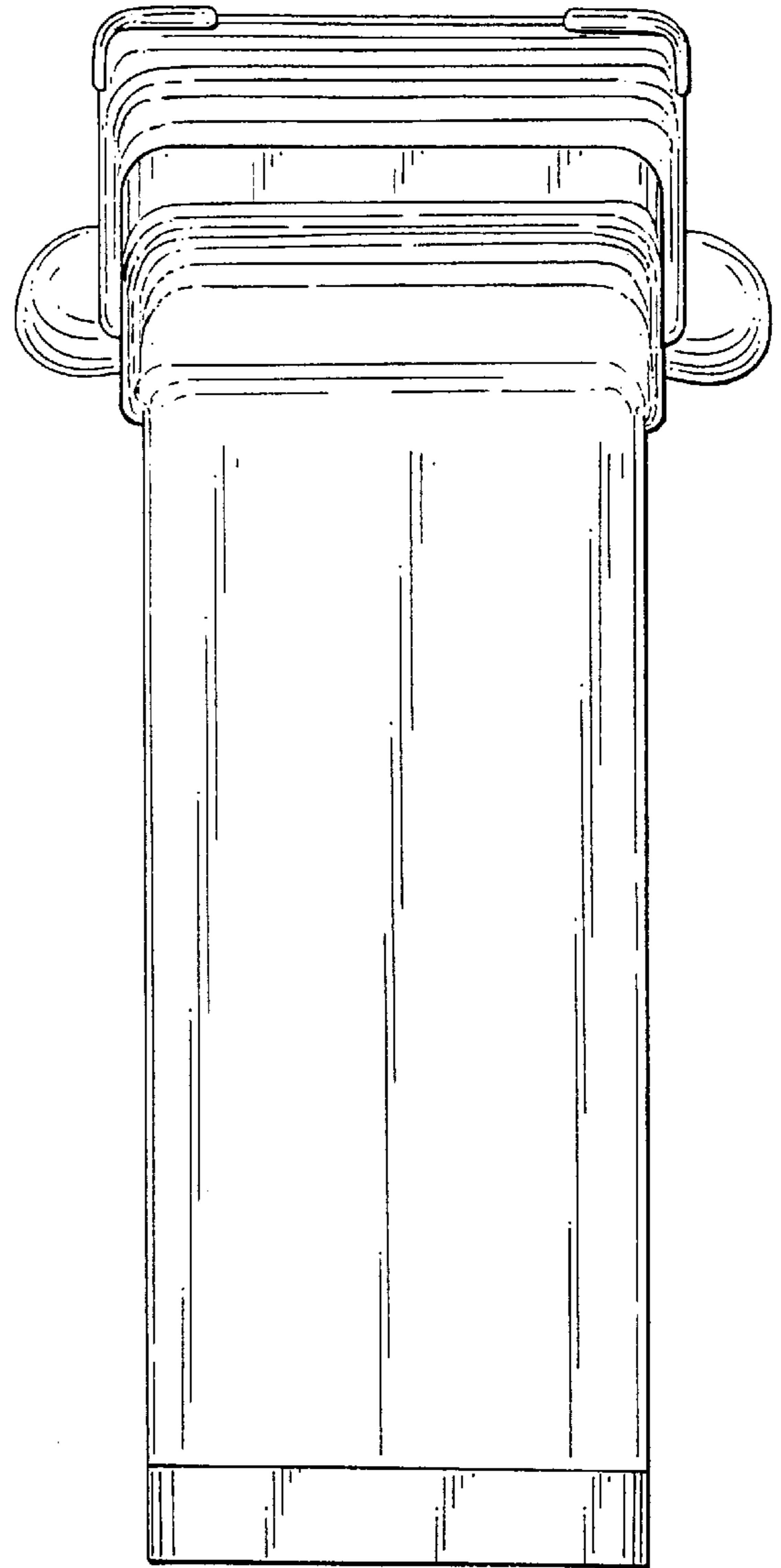


FIG. 6

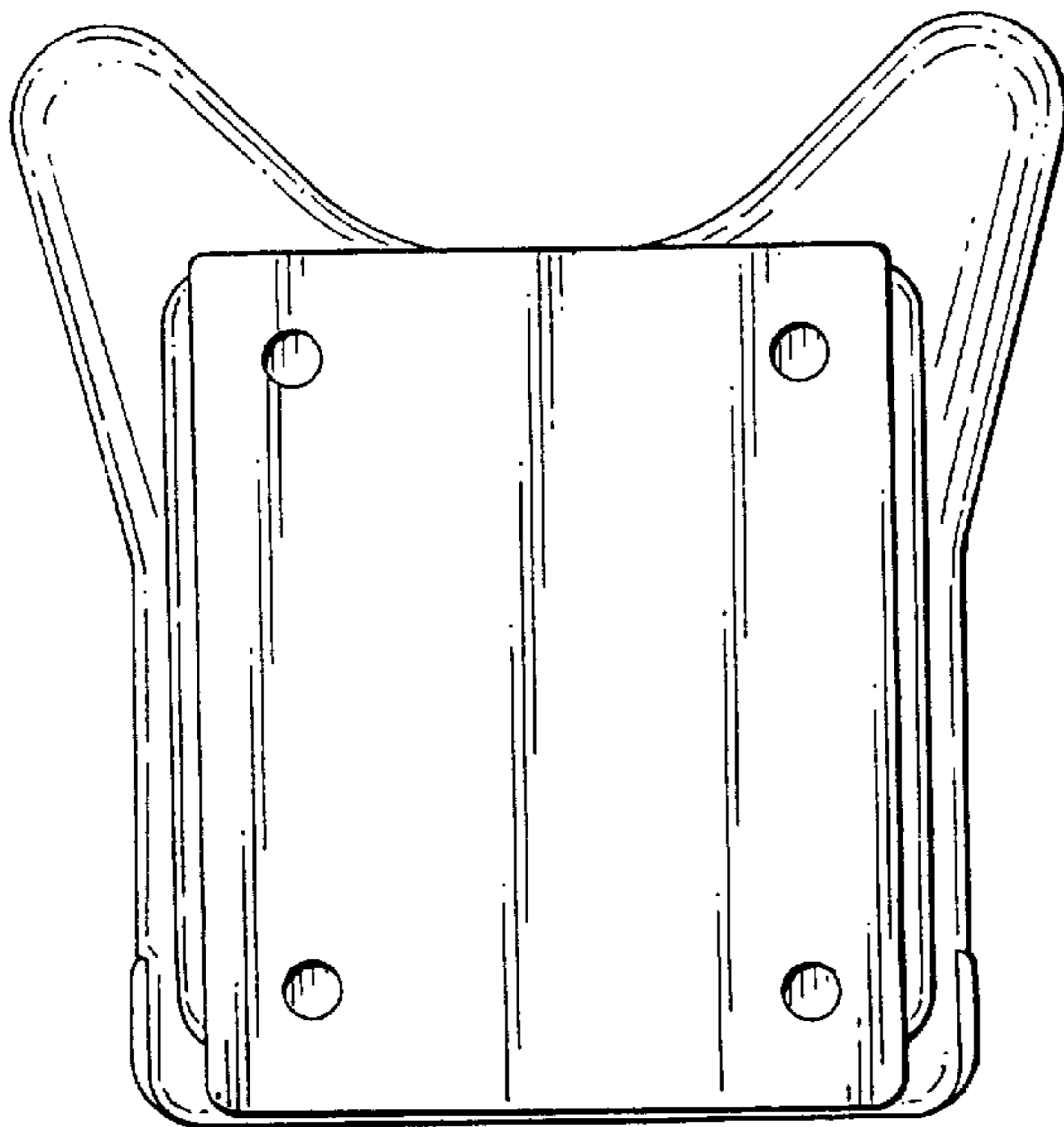


FIG. 5