



US00D434077S

United States Patent [19]
Schwarzli

[11] **Patent Number: Des. 434,077**

[45] **Date of Patent: ** Nov. 21, 2000**

[54] **VENDING MACHINE WITH STAND**

[76] Inventor: **Josef W. Schwarzli**, 3927 Vandorf Road, R.R. #4, Stouffville, Ontario, Canada, L4A 7X5

[**] Term: **14 Years**

[21] Appl. No.: **29/114,541**

[22] Filed: **Nov. 29, 1999**

[30] **Foreign Application Priority Data**

Oct. 7, 1999 [CA] Canada 1999-2449

[51] **LOC (7) Cl.** **20-01**

[52] **U.S. Cl.** **D20/7; D20/3**

[58] **Field of Search** D6/300-302, 495; D10/10; D14/224, 229; D20/1-8; 194/350; 221/92, 128, 155, 196, 284; 434/131, 136-138, 145, 148

[56] **References Cited**

U.S. PATENT DOCUMENTS

D. 142,297 8/1945 Dupler D6/495

D. 276,626 12/1984 Lockwood D20/1 X
D. 333,681 3/1993 Stern D20/7
D. 393,282 4/1998 Hutchinson et al. D20/3 X
D. 399,878 10/1998 Lin D20/7
4,493,649 1/1985 Toung 434/138
5,452,822 9/1995 Haymond 221/155

Primary Examiner—Nanda Bondade
Attorney, Agent, or Firm—Dimock Stratton Clarizio; Mark B. Eisen

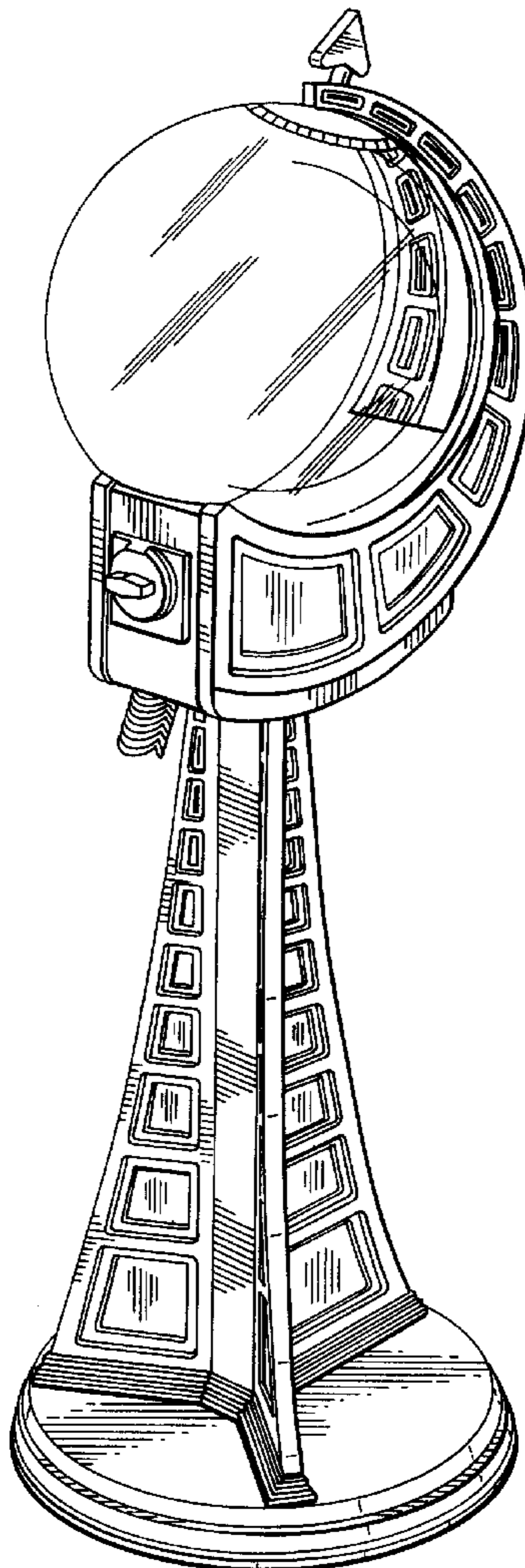
[57] **CLAIM**

The ornamental design for a vending machine with stand, as shown and described.

DESCRIPTION

FIG. 1 is a perspective view of the vending machine with stand;
FIG. 2 is a side elevation, the opposite side being a mirror image thereof;
FIG. 3 is a rear elevation;
FIG. 4 is a front elevation;
FIG. 5 is a top plan view; and,
FIG. 6 is a bottom plan view.

1 Claim, 5 Drawing Sheets



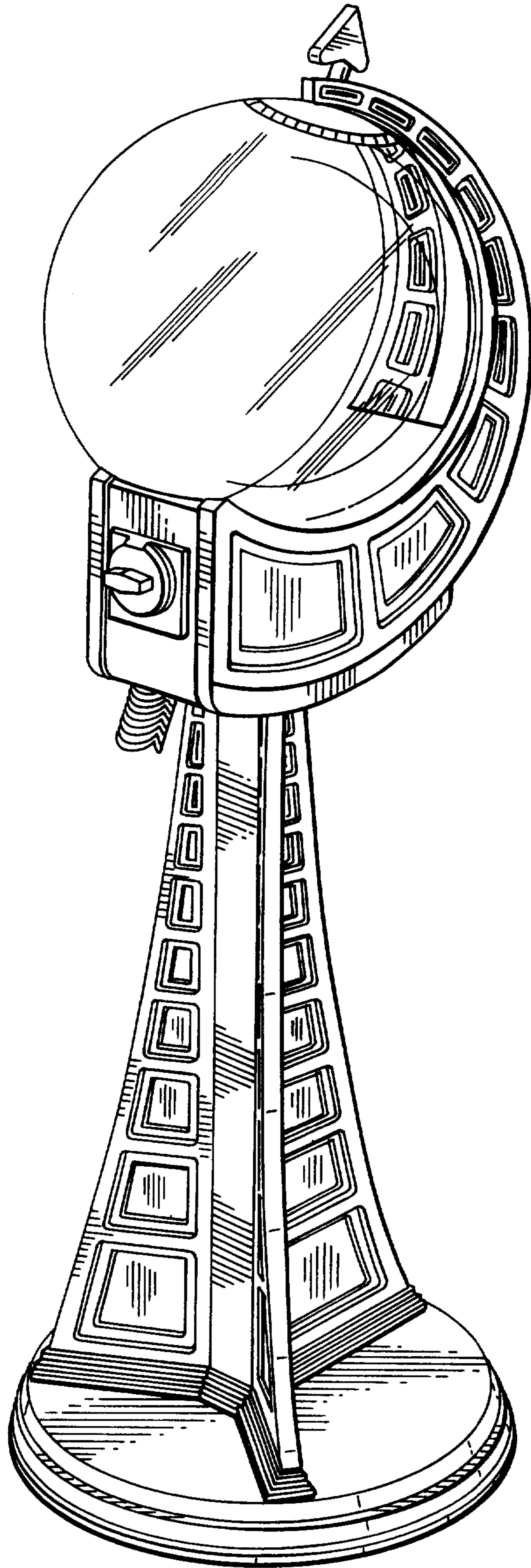


FIG.1.

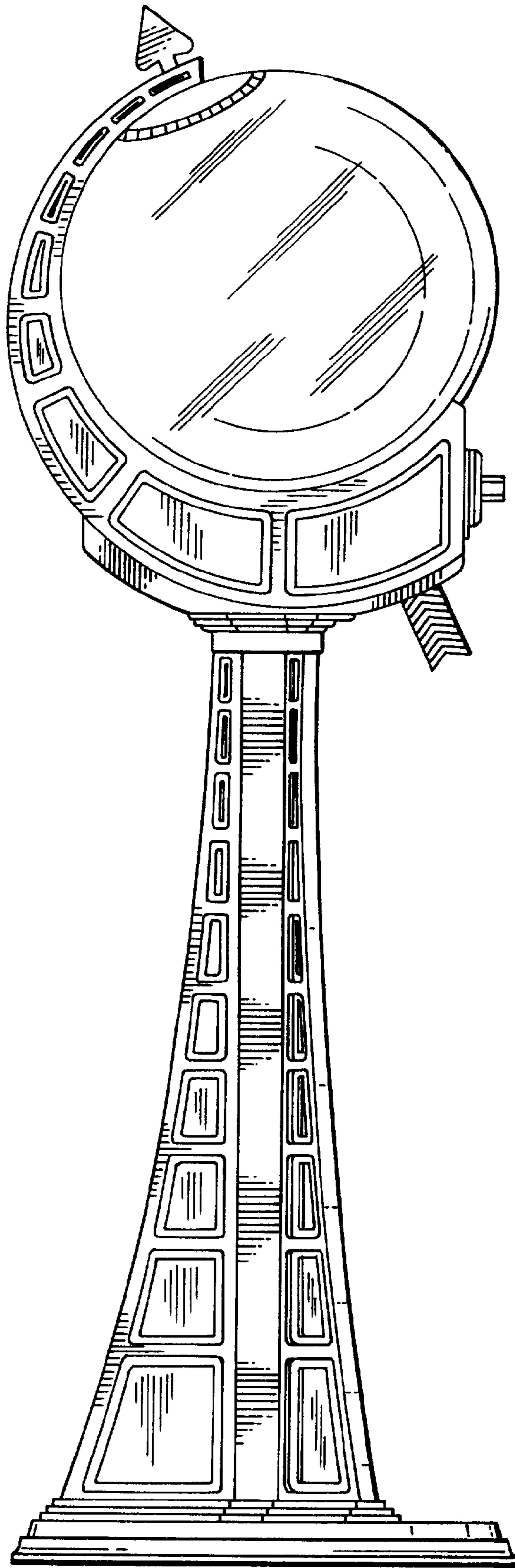


FIG. 2.

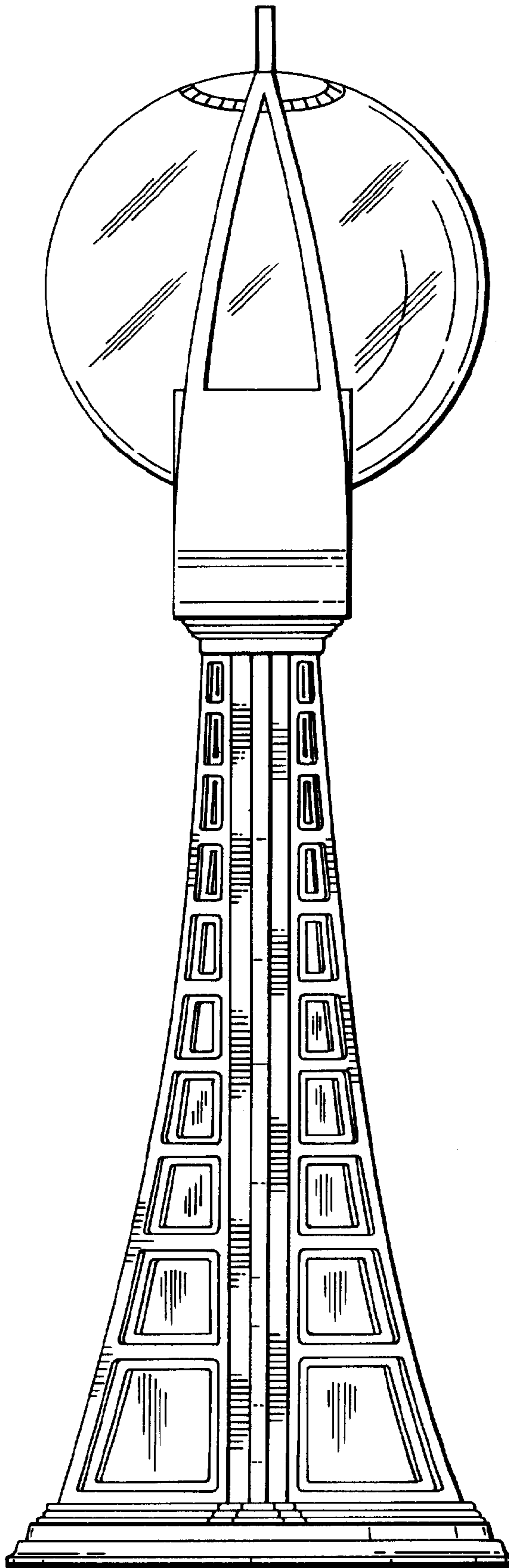


FIG. 3.

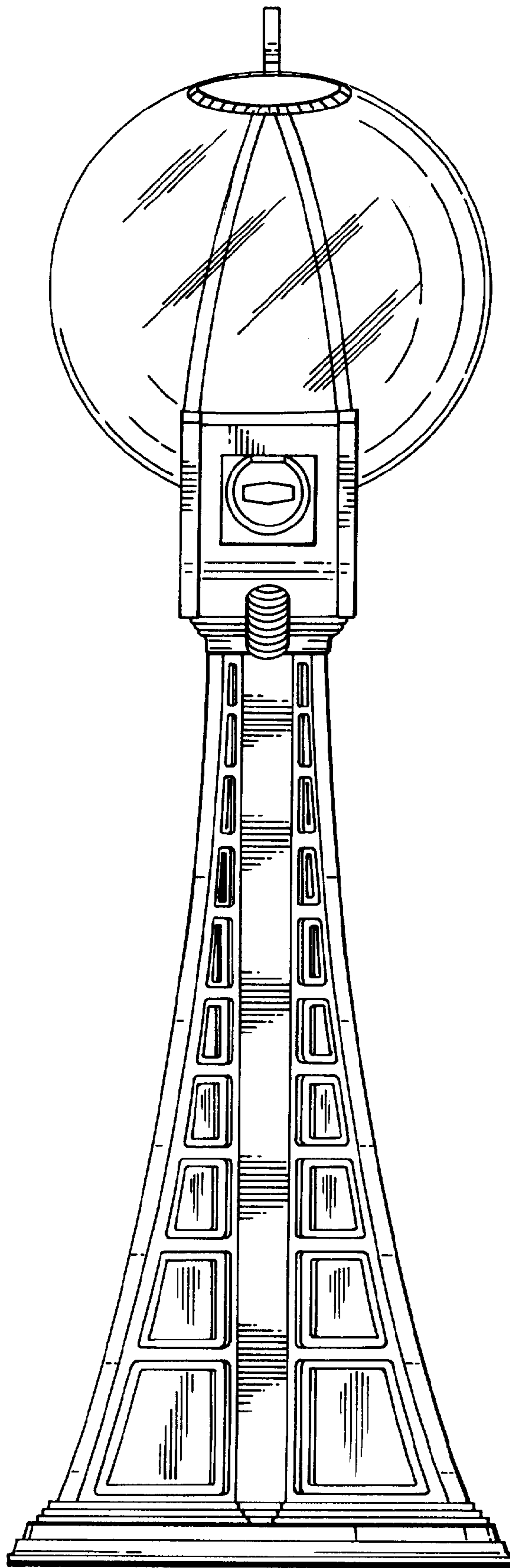


FIG. 4.

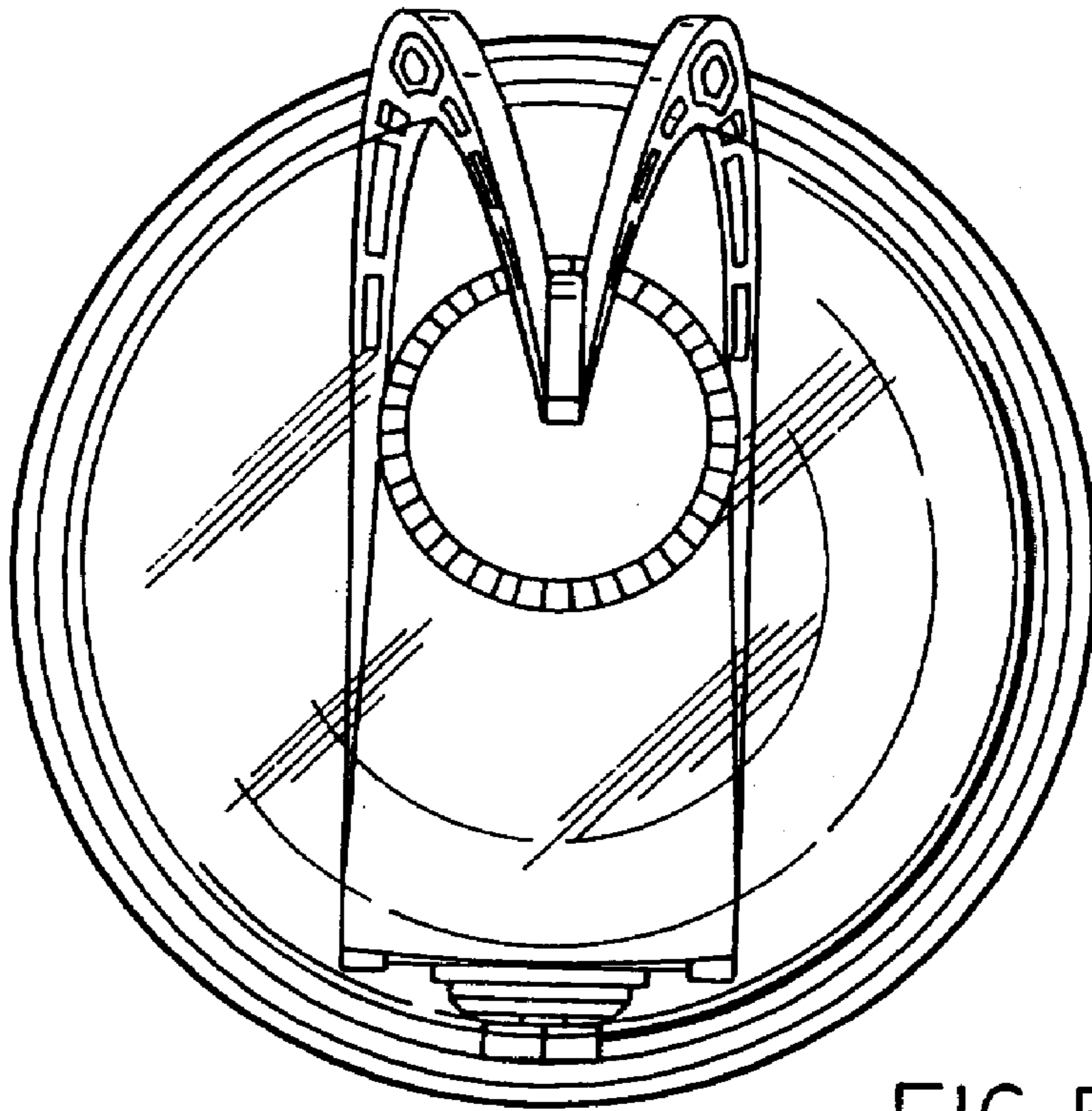


FIG. 5.

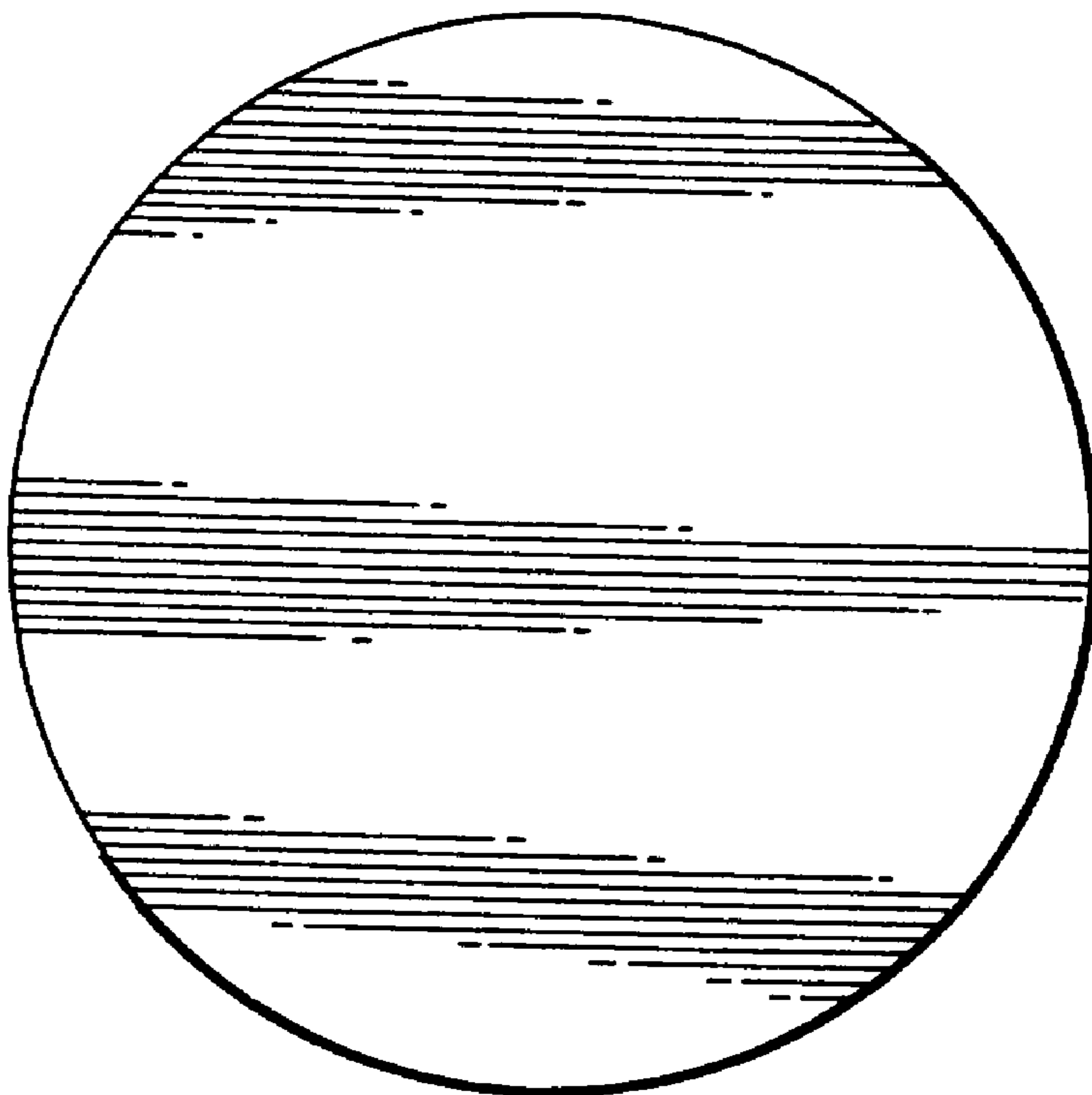


FIG. 6.