

US00D434073S

United States Patent [19]

[11] **Patent Number: Des. 434,073**

Leins

[45] **Date of Patent: ** Nov. 21, 2000**

[54] **MULTI-PURPOSE HAND OPERATED OFFICE UTENSIL**

[75] Inventor: **Hanspeter Leins**, Nagold, Germany

[73] Assignee: **C-Tech AG**, Switzerland

[**] Term: **14 Years**

[21] Appl. No.: **29/116,262**

[22] Filed: **Dec. 28, 1999**

Related U.S. Application Data

[62] Division of application No. 29/057,648, Jul. 29, 1996, Pat. No. Des. 425,125.

[51] **LOC (7) Cl.** **19-06**

[52] **U.S. Cl.** **D19/65; D8/105**

[58] **Field of Search** **D19/65, 75, 77, D19/81-85, 95, 99, 100; D8/98, 104, 105; 7/118, 119, 160, 163, 164; 30/152**

[56] **References Cited**

U.S. PATENT DOCUMENTS

- D. 302,102 7/1989 Amagaya .
- D. 308,462 6/1990 Komatsu D8/105
- D. 318,070 7/1991 Amagaya .

(List continued on next page.)

FOREIGN PATENT DOCUMENTS

- 190350-3458 6/1958 Germany .
- 26 25 749 A1 12/1977 Germany .
- 41 10 688 A1 9/1991 Germany .
- 2196896 4/1988 United Kingdom .
- WO 84/01739 5/1984 WIPO .

OTHER PUBLICATIONS

Brochure, "Wenger. The Genuine Swiss Army Kniff," 27 pages, date unknown.

(List continued on next page.)

Primary Examiner—Martie K. Holtje
Attorney, Agent, or Firm—Brinks Hofer Gilson & Lione

[57] **CLAIM**

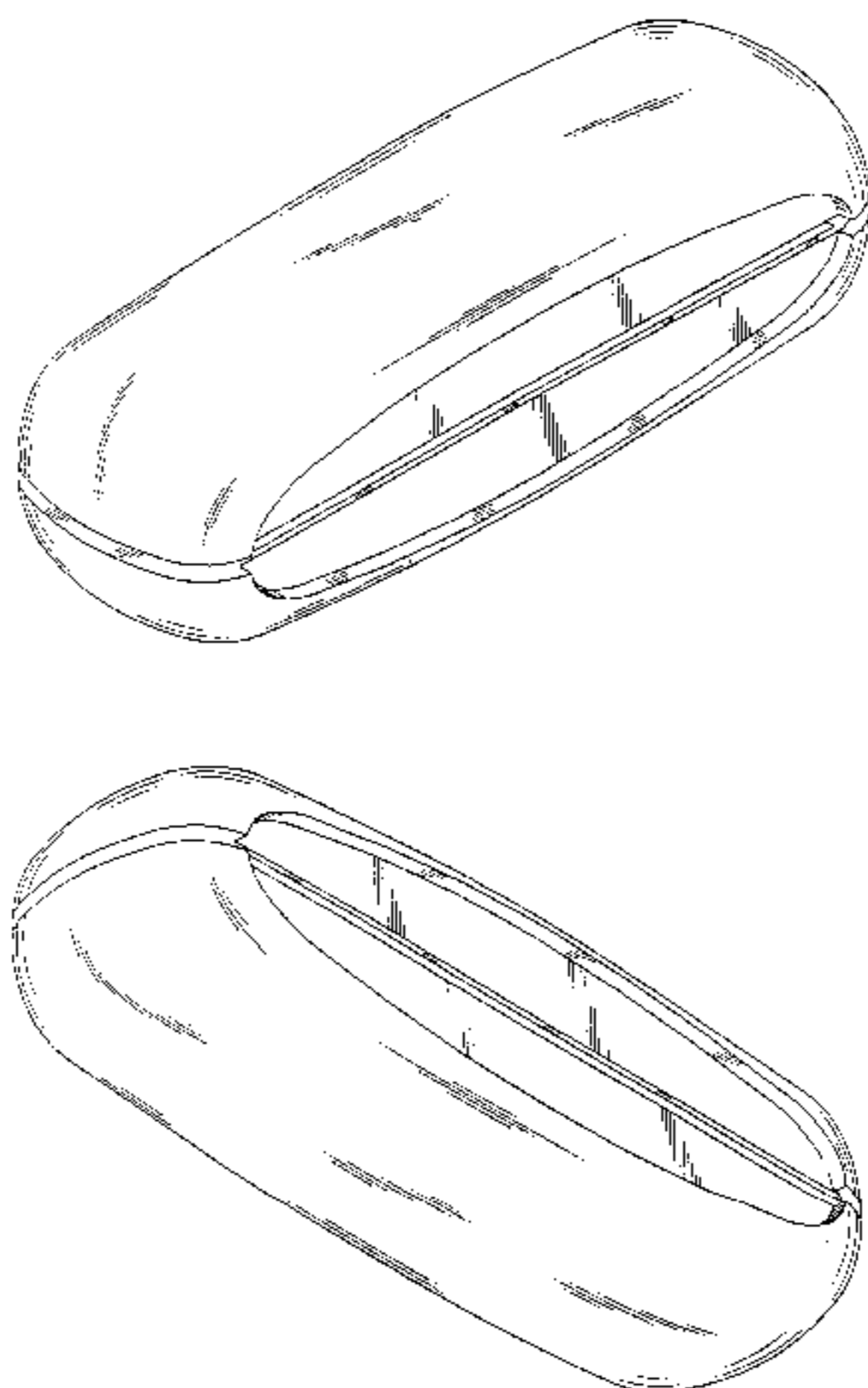
The ornamental design for a multi-purpose hand operated office utensil, as shown and described.

DESCRIPTION

FIG. 1 is a top perspective view of a multi-purpose hand-operated office utensil showing my new design; FIG. 2 is a bottom perspective view of FIG. 1; FIG. 3 is a left side elevational view of FIG. 1; FIG. 4 is a right side elevational view of FIG. 1; FIG. 5 is a top plan view of FIG. 1; FIG. 6 is a bottom plan view of FIG. 1; FIG. 7 is a rear elevational view of FIG. 1; FIG. 8 is a front elevational view of FIG. 1; FIG. 9 is a second top perspective view of my new design of FIG. 1; FIG. 10 is a bottom perspective view of FIG. 9; FIG. 11 is a left side elevational view of FIG. 9; FIG. 12 is a right side elevational view of FIG. 9; FIG. 13 is a top plan view of FIG. 9; FIG. 14 is a bottom plan view of FIG. 9; FIG. 15 is a rear elevational view of FIG. 9; FIG. 16 is a front elevational view of FIG. 9; FIG. 17 is a third top perspective view of my new design of FIG. 1; FIG. 18 is a bottom perspective view of FIG. 17; FIG. 19 is a left side elevational view of FIG. 17; FIG. 20 is a right side elevational view of FIG. 17; FIG. 21 is a top plan view of FIG. 17; FIG. 22 is a bottom plan view of FIG. 17; FIG. 23 is a rear elevational view of FIG. 17; FIG. 24 is a front elevational view of FIG. 17; FIG. 25 is a fourth top perspective view of my new design of FIG. 1; FIG. 26 is a bottom perspective view of FIG. 25; FIG. 27 is a left side elevational view of FIG. 25; FIG. 28 is a right side elevational view of FIG. 25; FIG. 29 is a top plan view of FIG. 25; FIG. 30 is a bottom plan view of FIG. 25; FIG. 31 is a rear elevational view of FIG. 25; and, FIG. 32 is a front elevational view of FIG. 25.

The variety of structural elements depicted by means of broken lines in FIGS. 9-32 have been shown for environmental purposes only and form no part of the claimed design.

1 Claim, 12 Drawing Sheets



U.S. PATENT DOCUMENTS

D. 321,637 11/1991 Chan D8/105
D. 336,415 6/1993 Cheng D8/105
D. 415,201 10/1999 Leins D19/65
662,005 11/1900 Lewis .
790,432 5/1905 Heilrath .
847,459 6/1907 Hendrickson .
4,783,867 11/1988 Tsao .

4,794,692 1/1989 Wang .

OTHER PUBLICATIONS

Brochure, "Wenger. The Genuine Swiss Army Knife™," 16 pages, date unknown.
Six Photographs Showing Top, Bottom, Left-Side, Right-Side, Front, and Rear views of "MoMA PLUS" Device, date unknown.

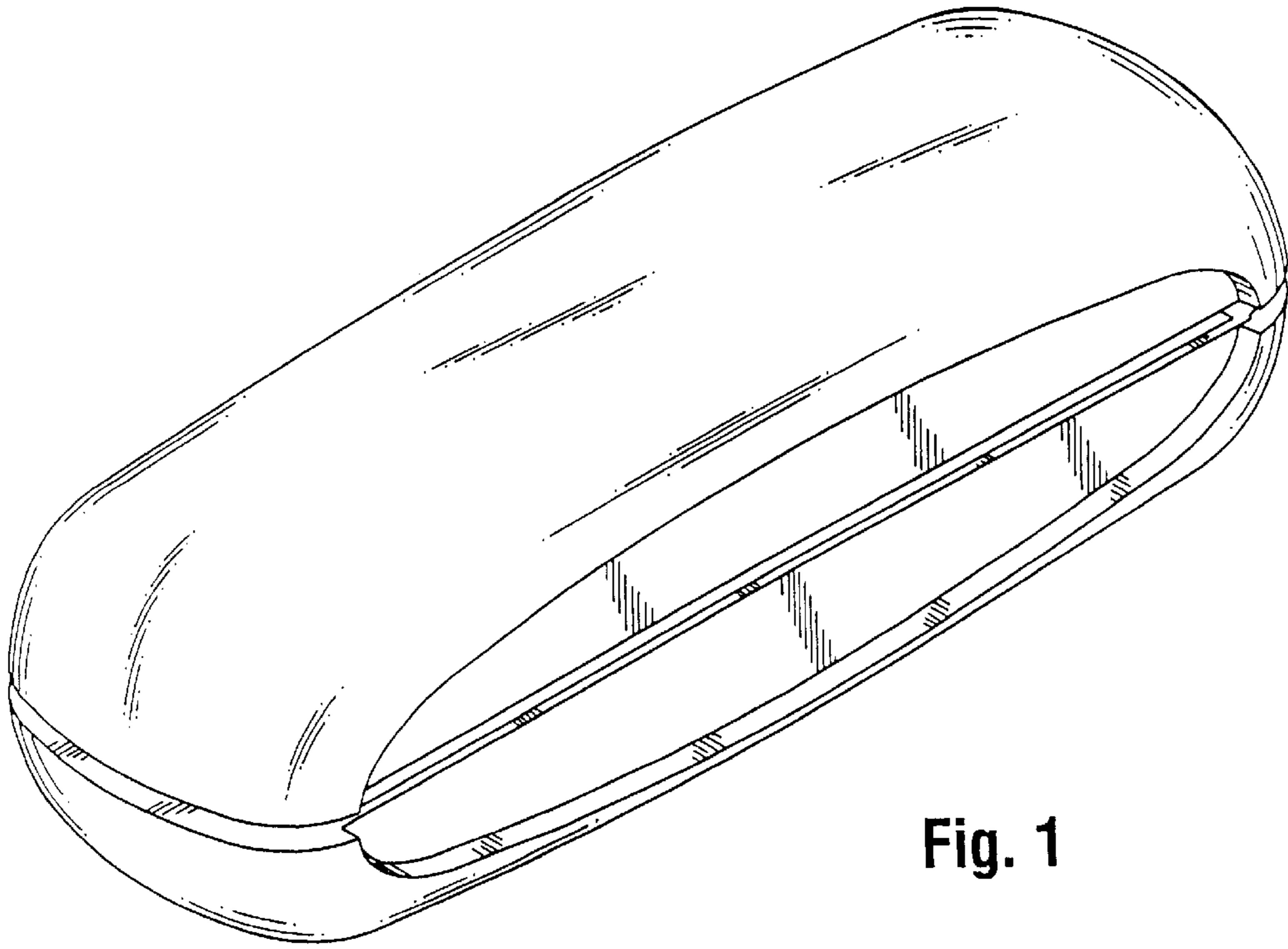


Fig. 1

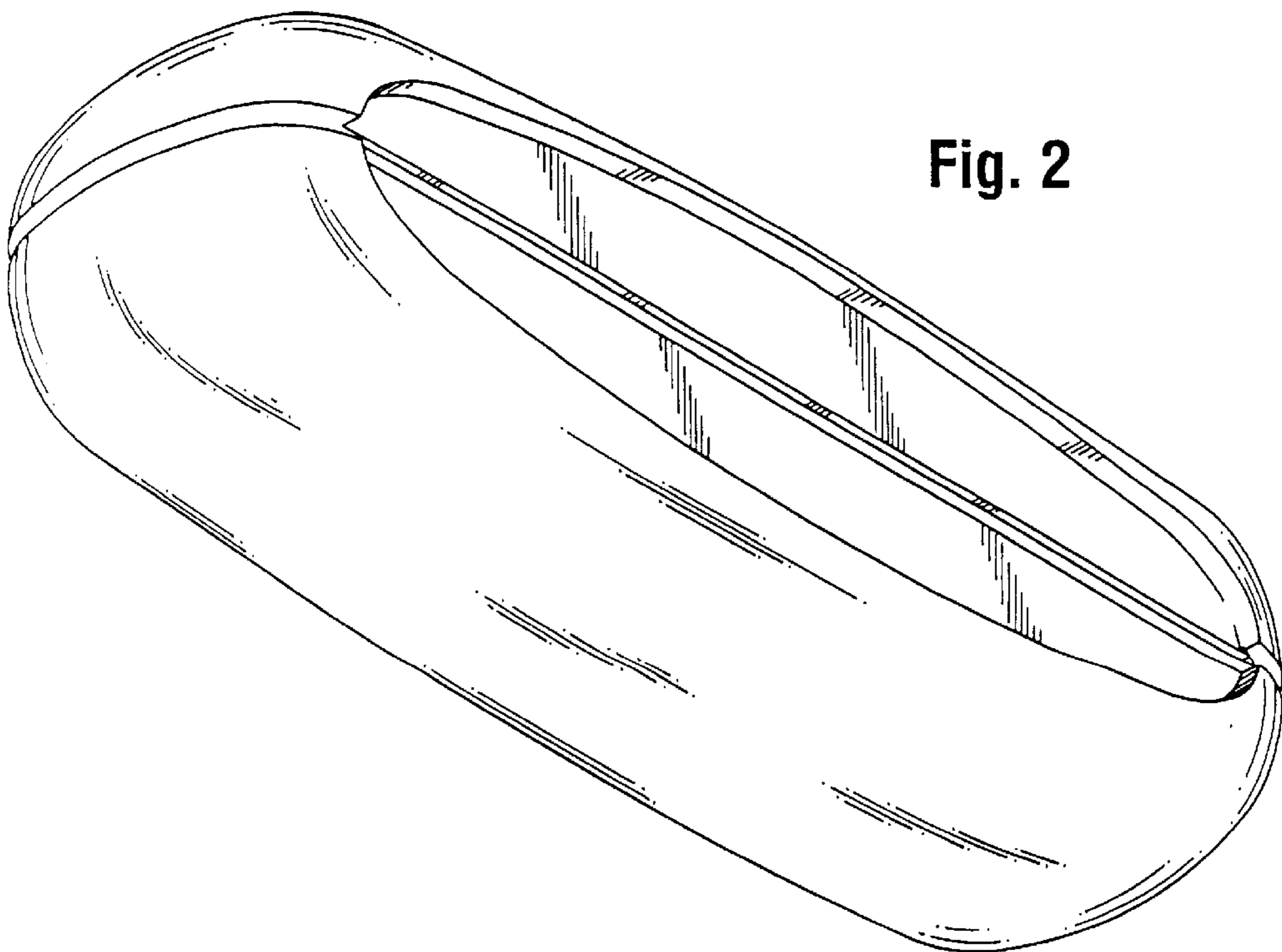


Fig. 2

Fig. 3

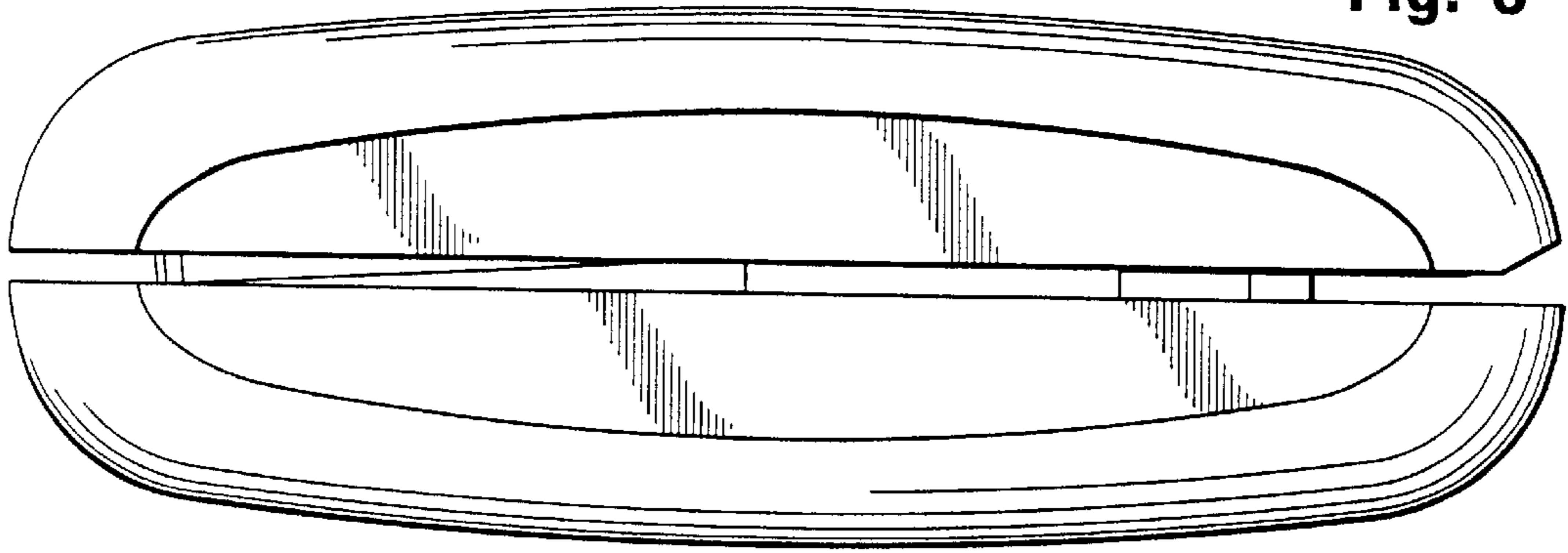


Fig. 4

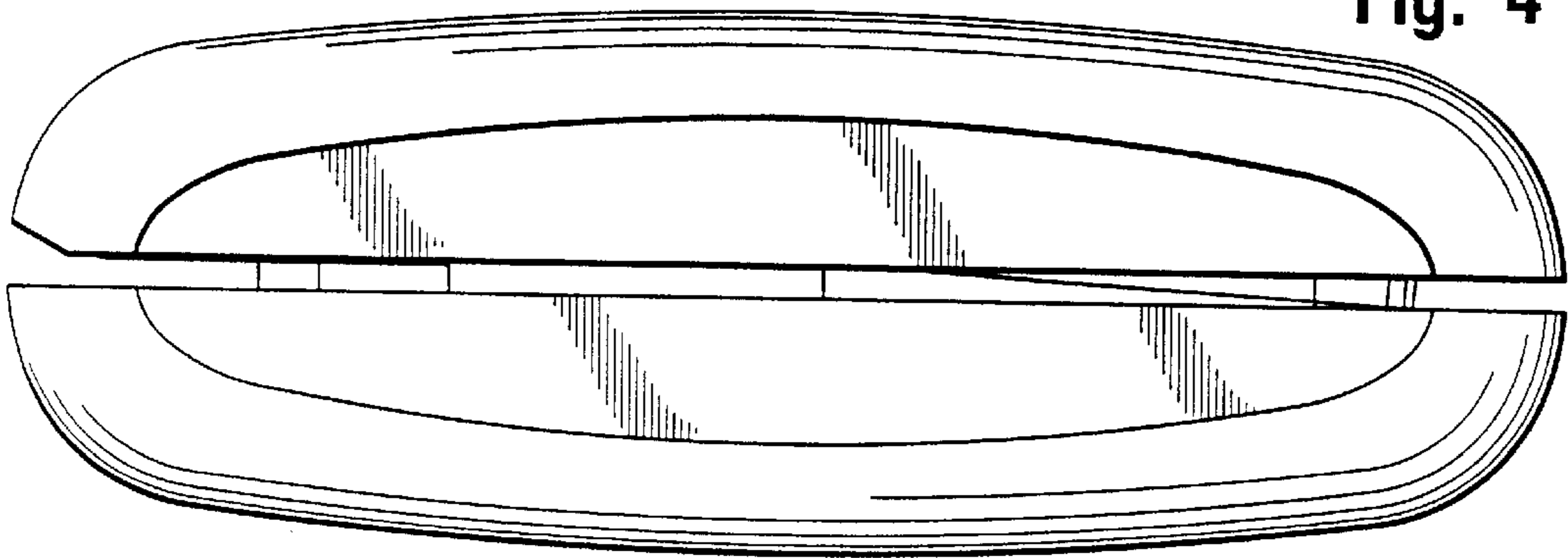


Fig. 5

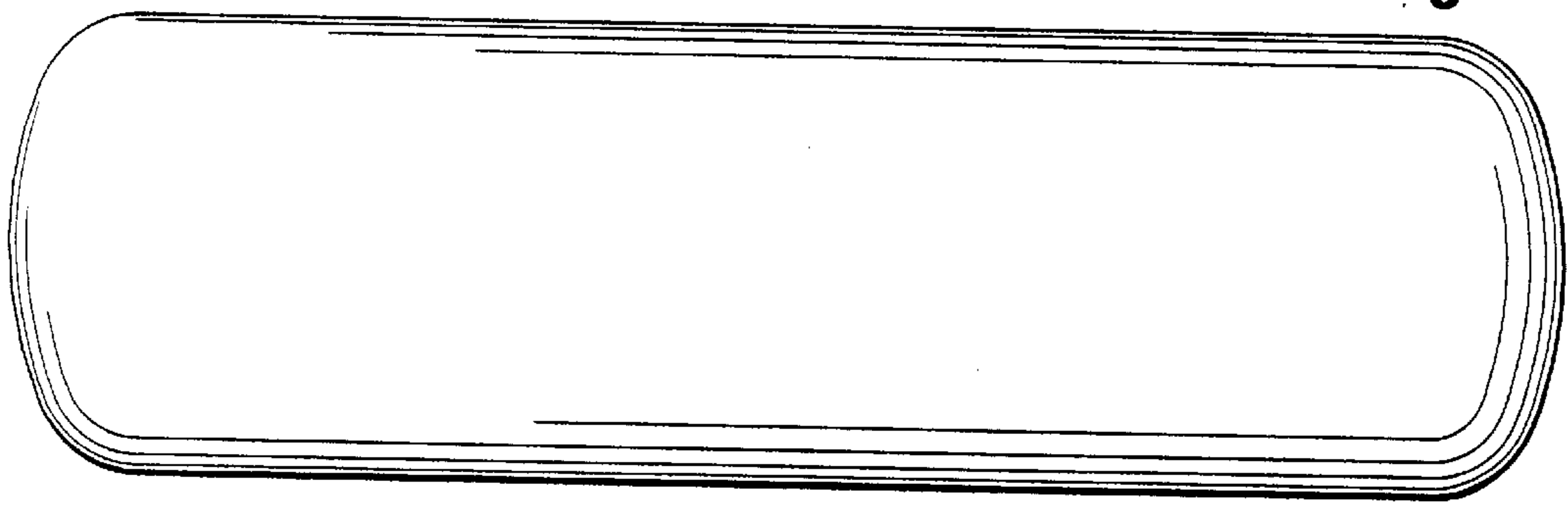


Fig. 6

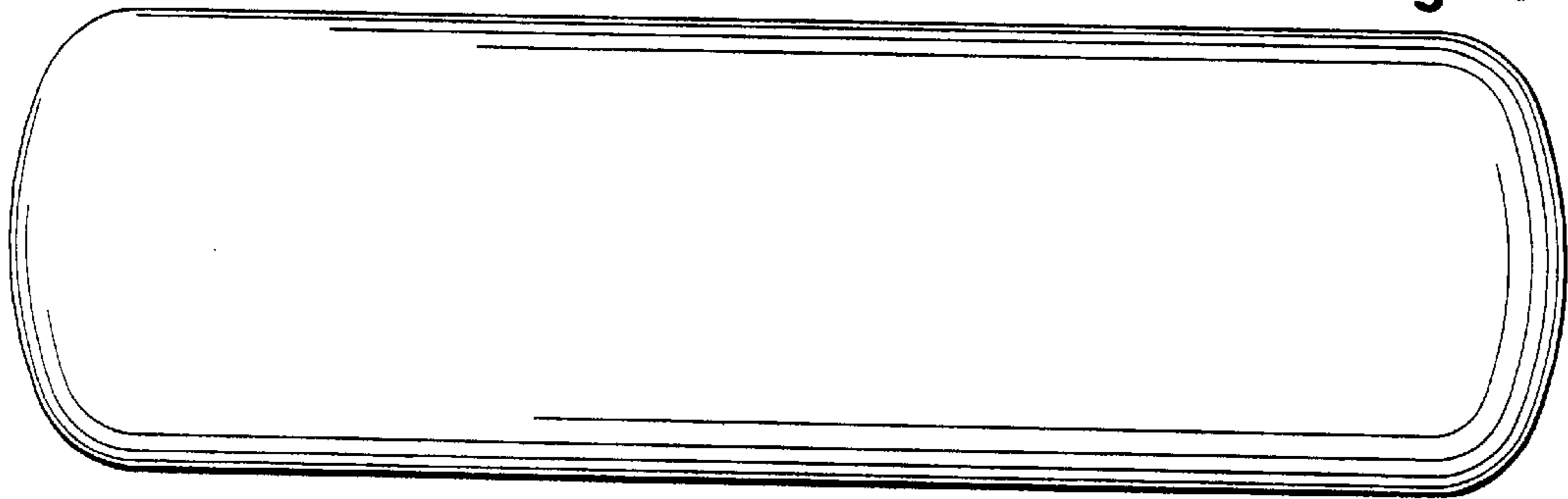


Fig. 7

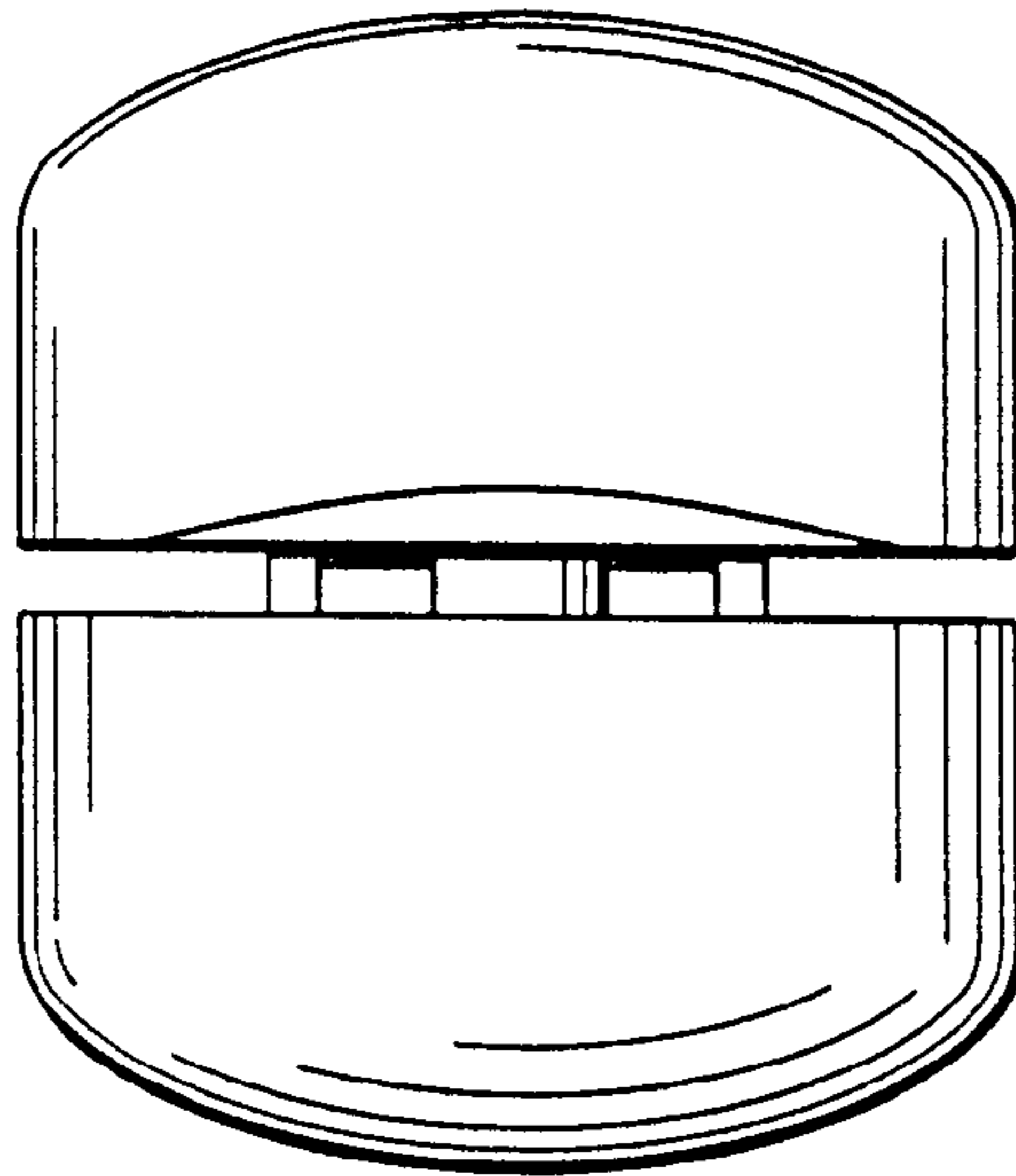
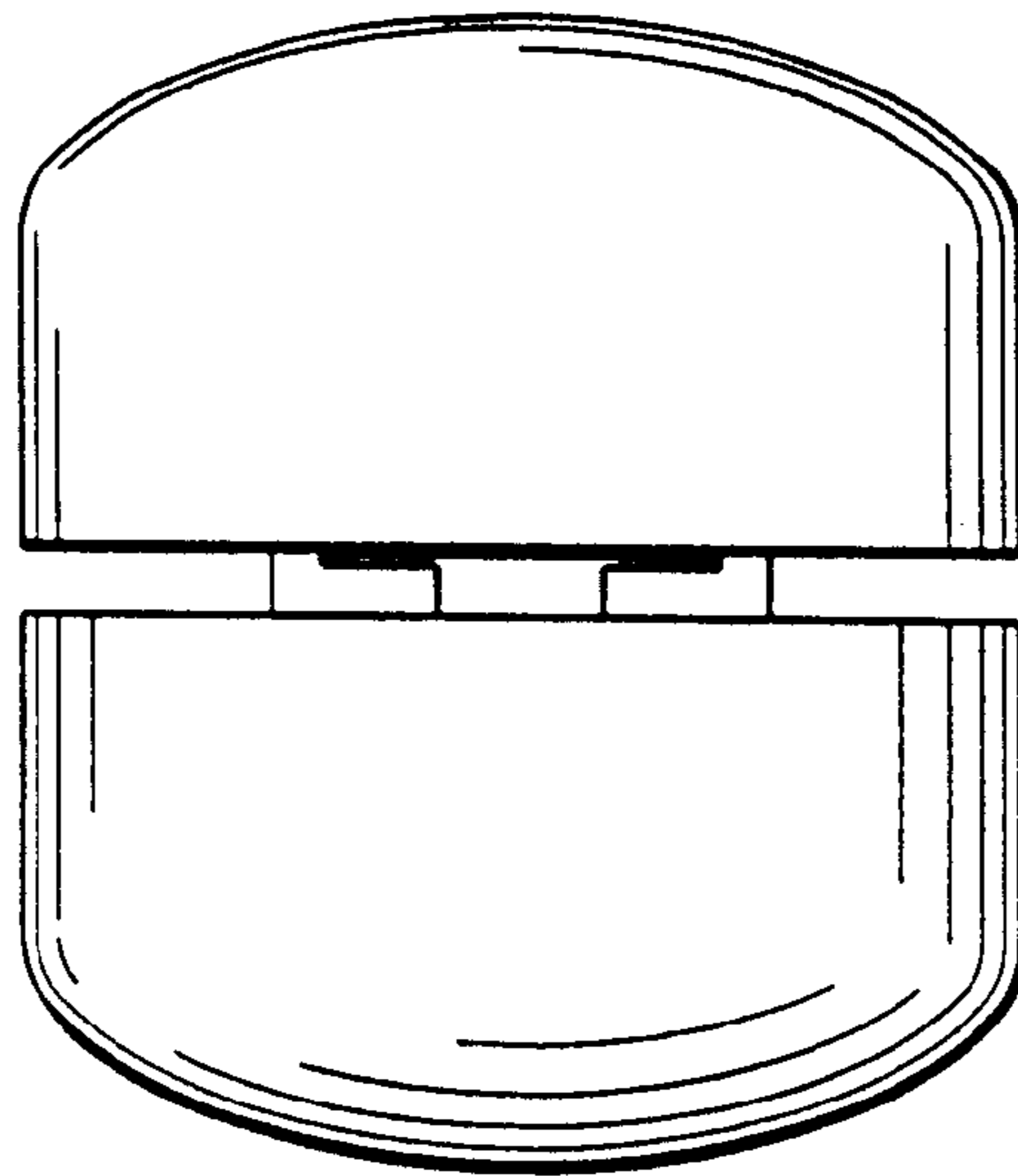


Fig. 8



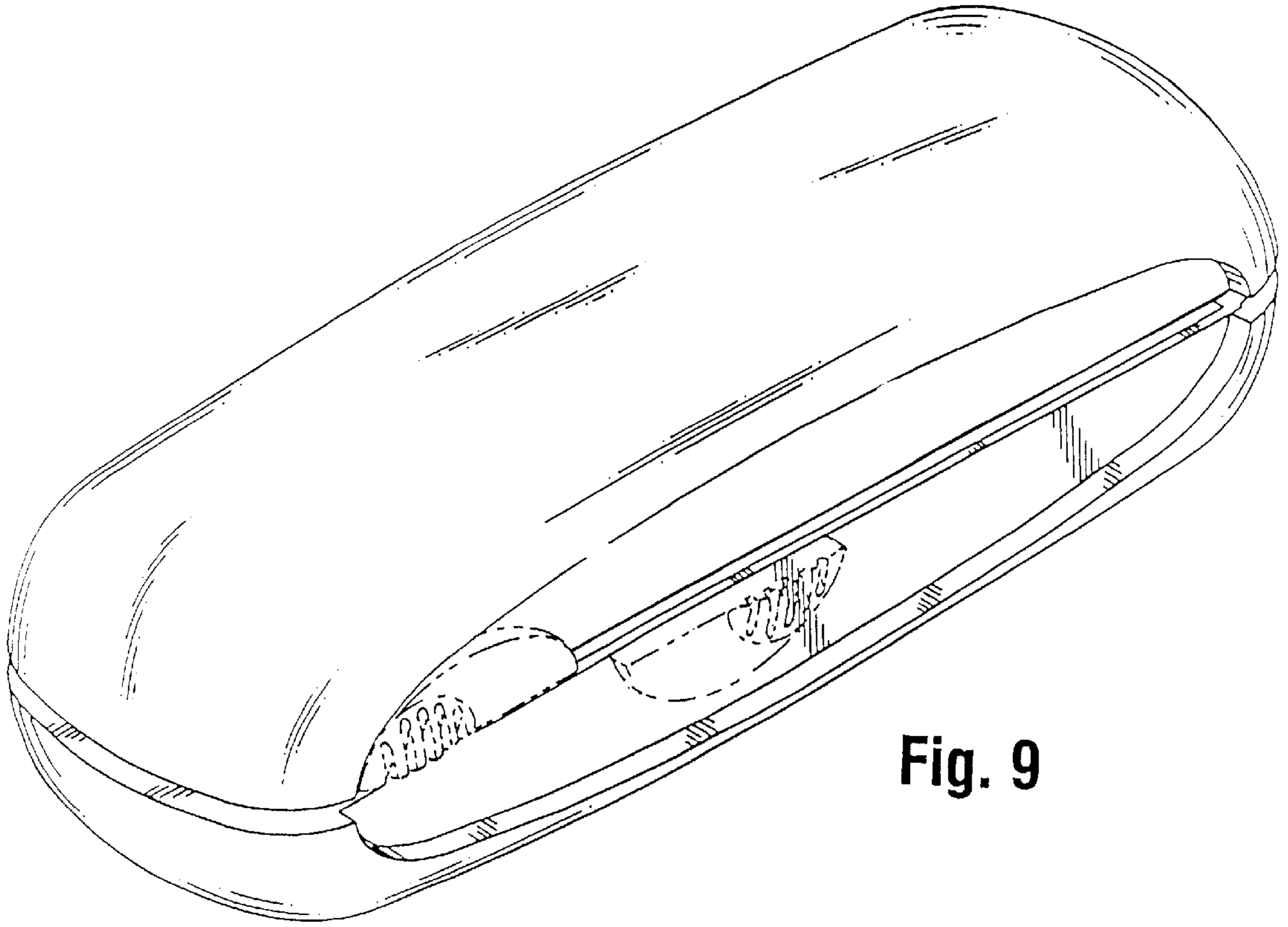


Fig. 9

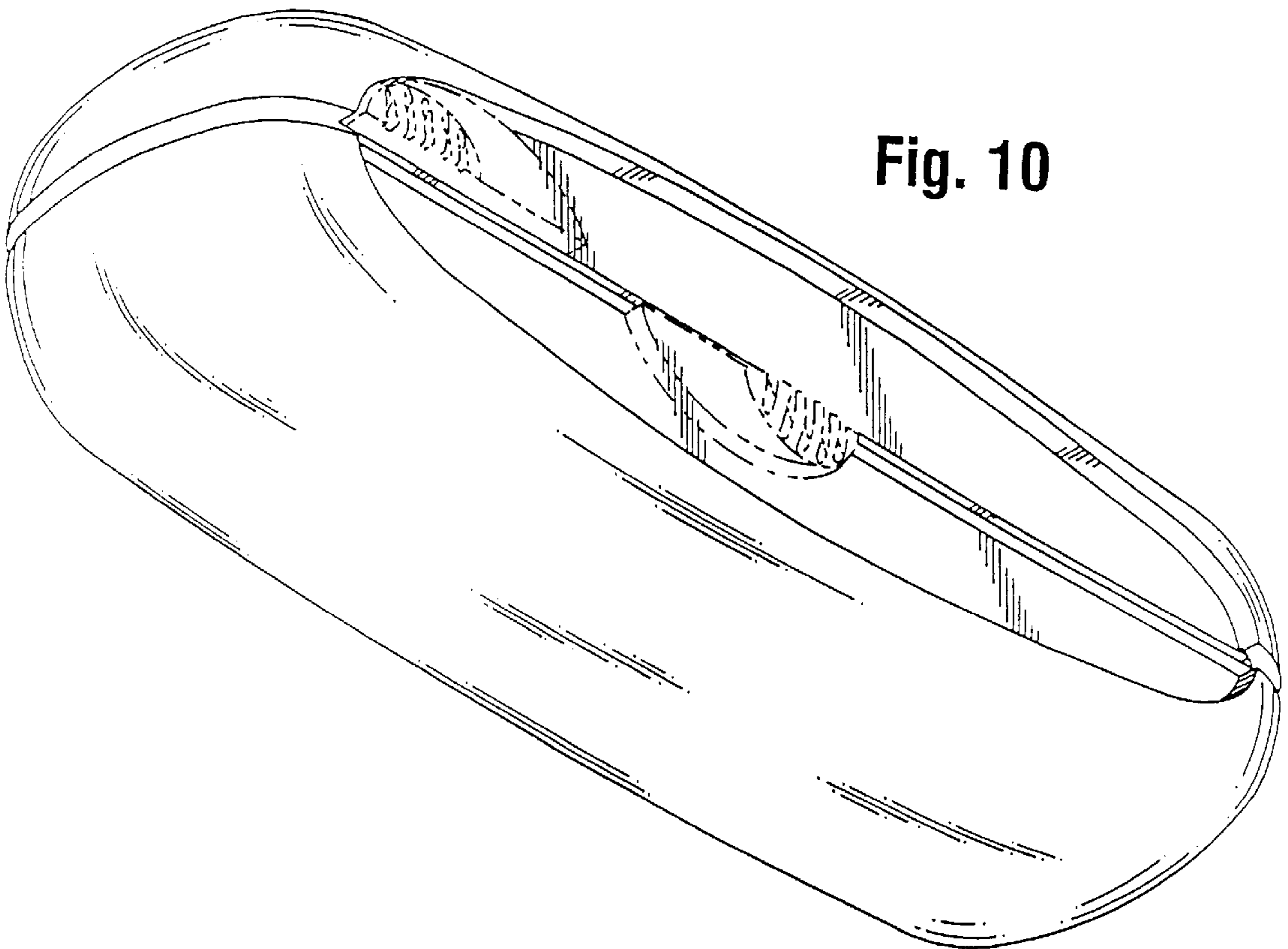


Fig. 10

Fig. 11

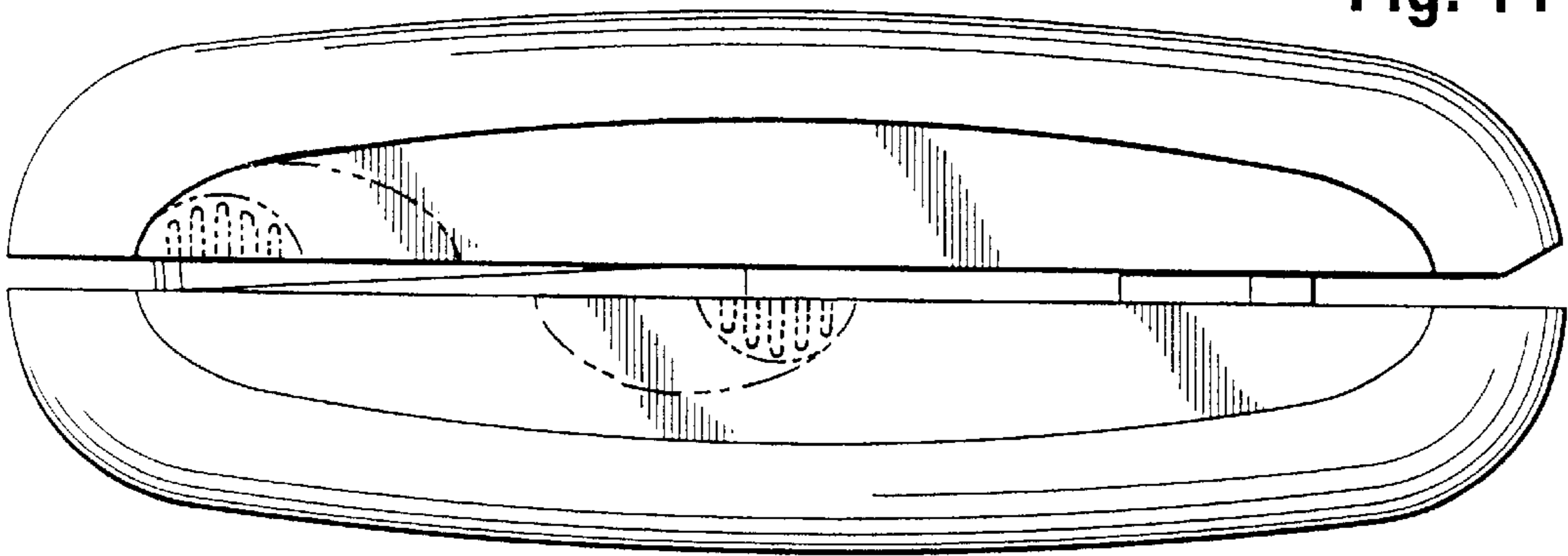


Fig. 12

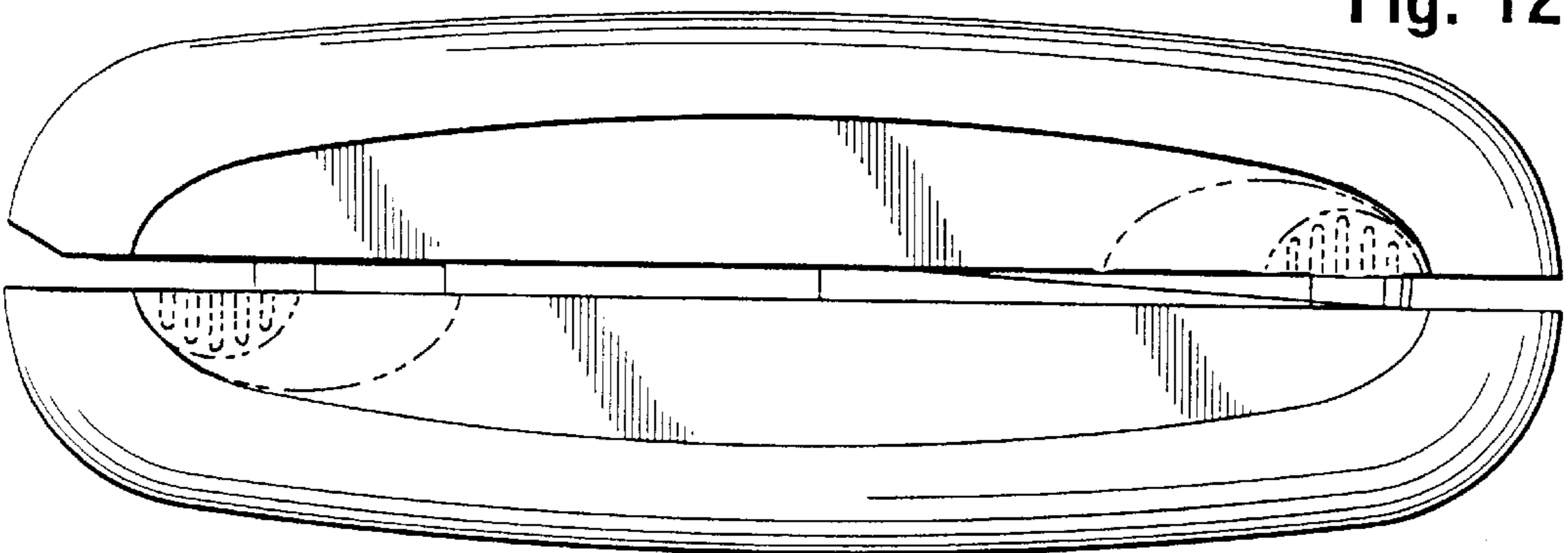


Fig. 13

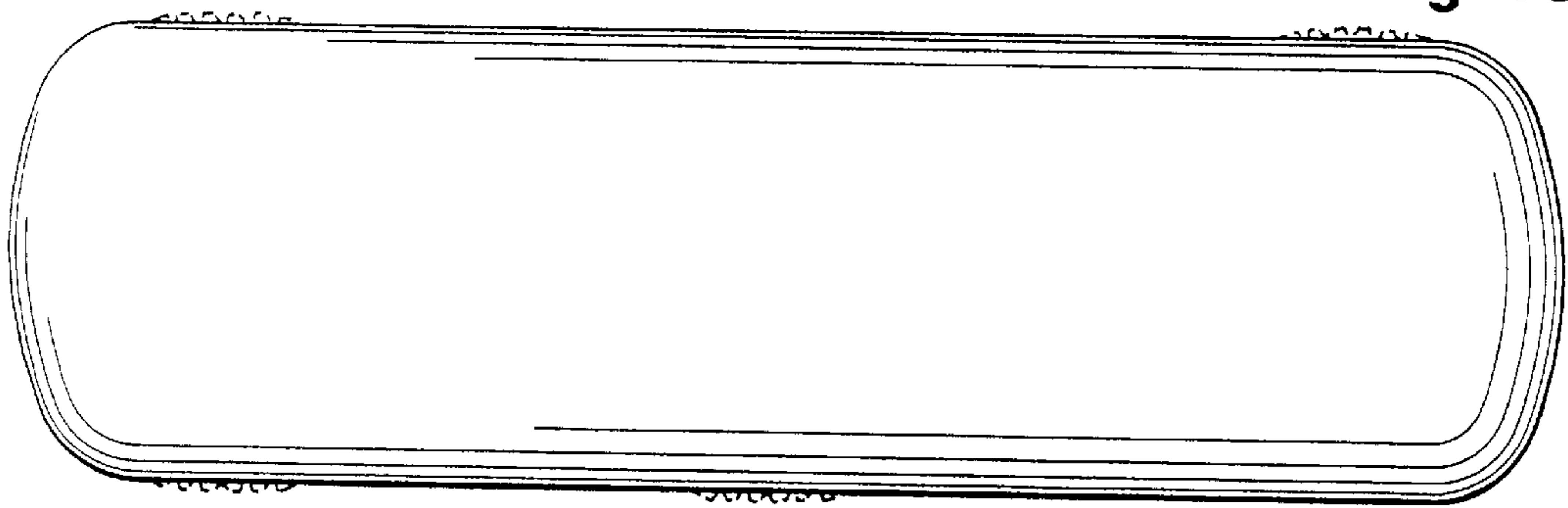


Fig. 14

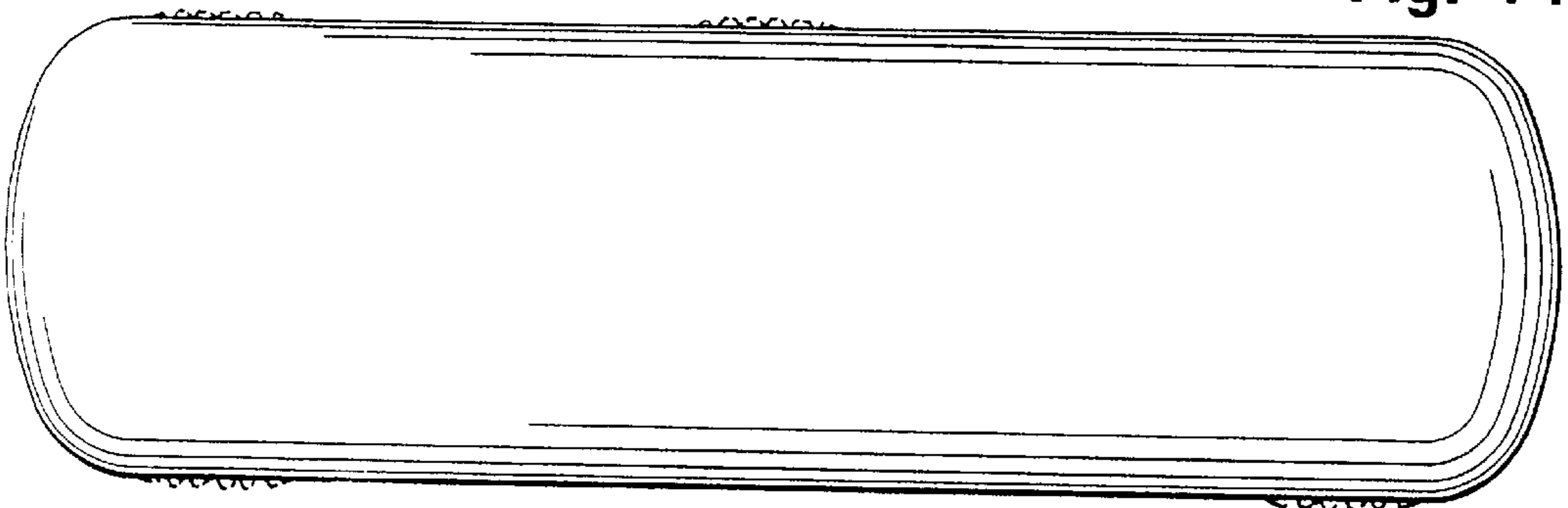


Fig. 15

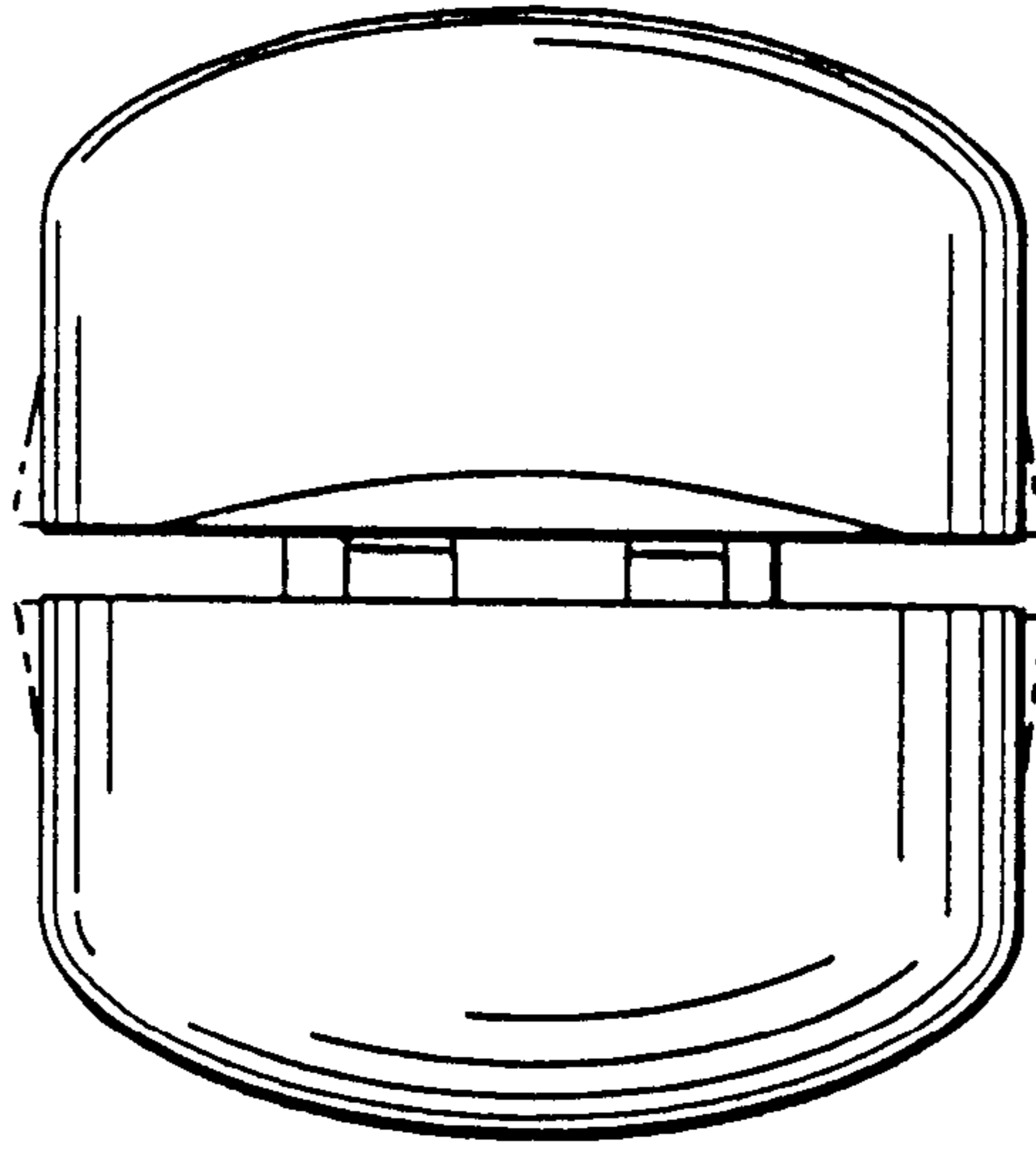
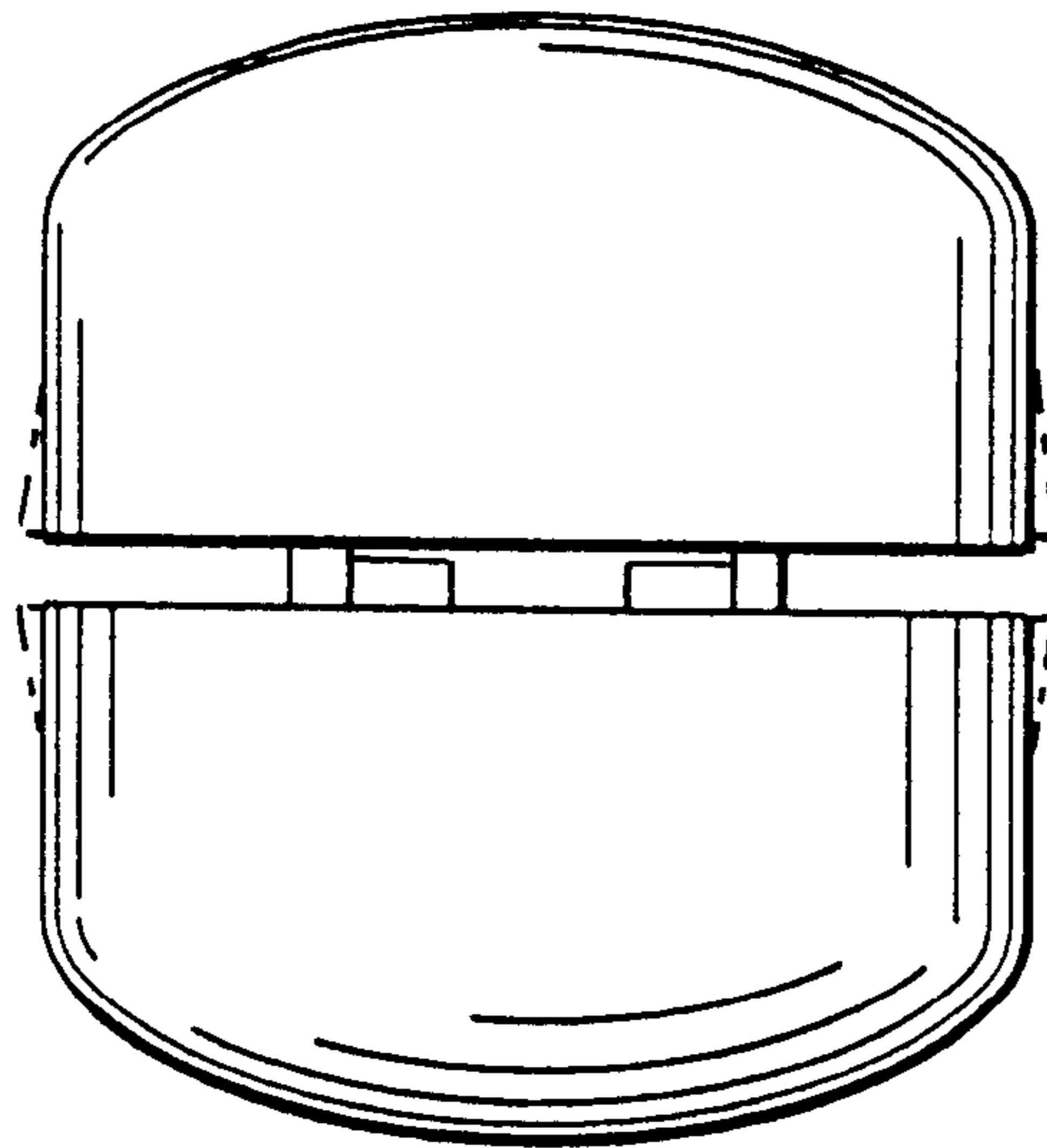


Fig. 16



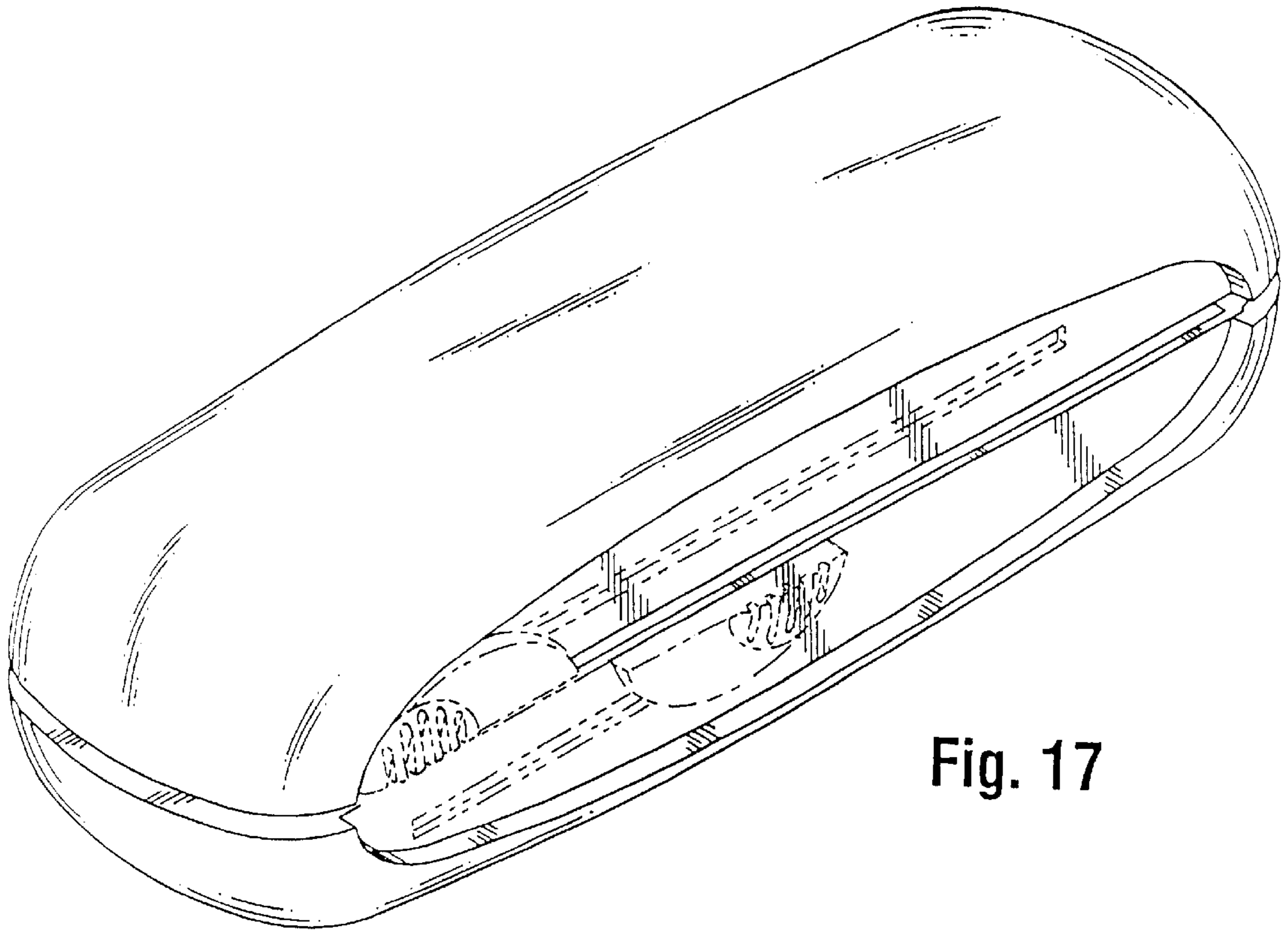


Fig. 17

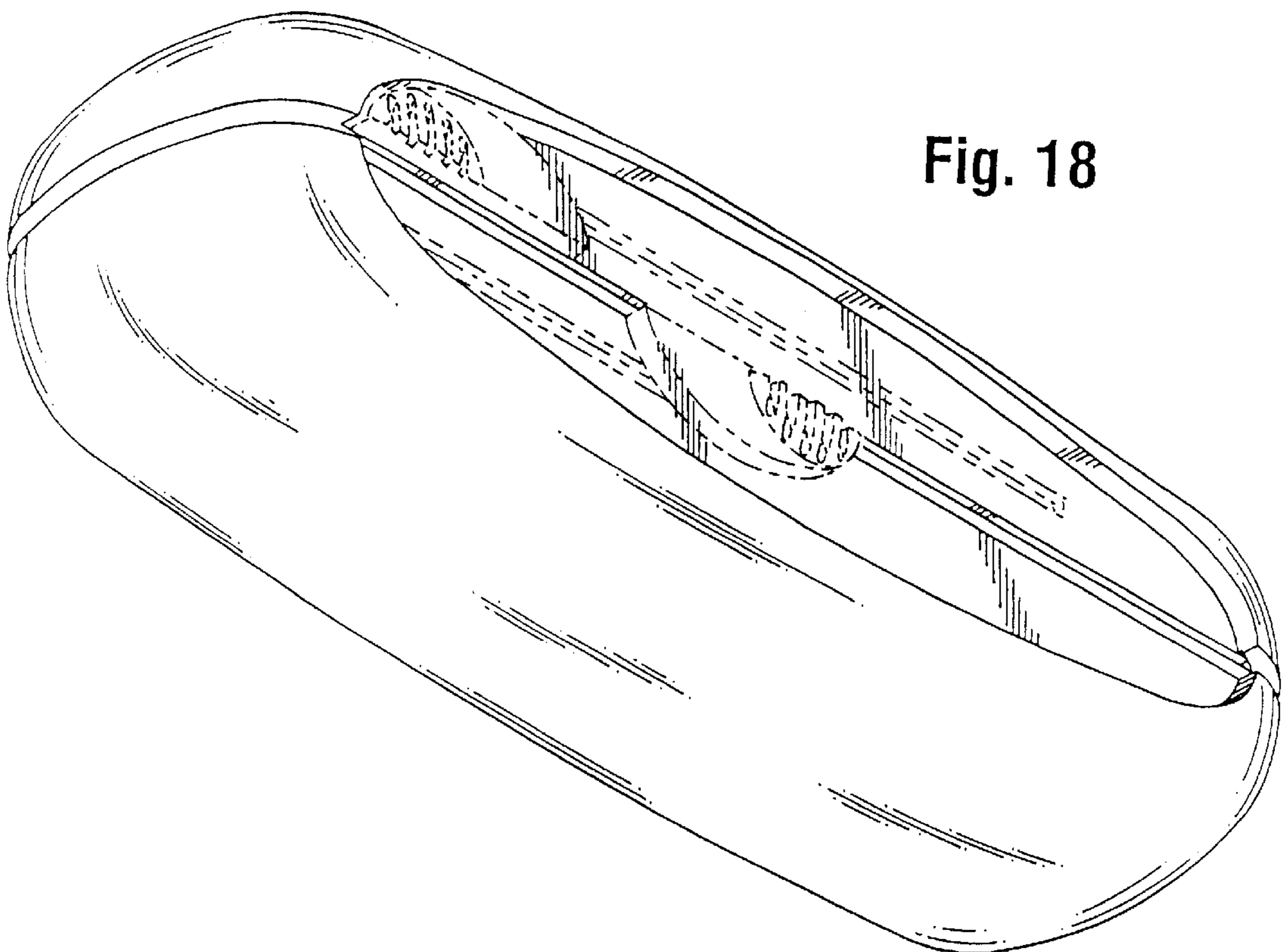


Fig. 18

Fig. 19

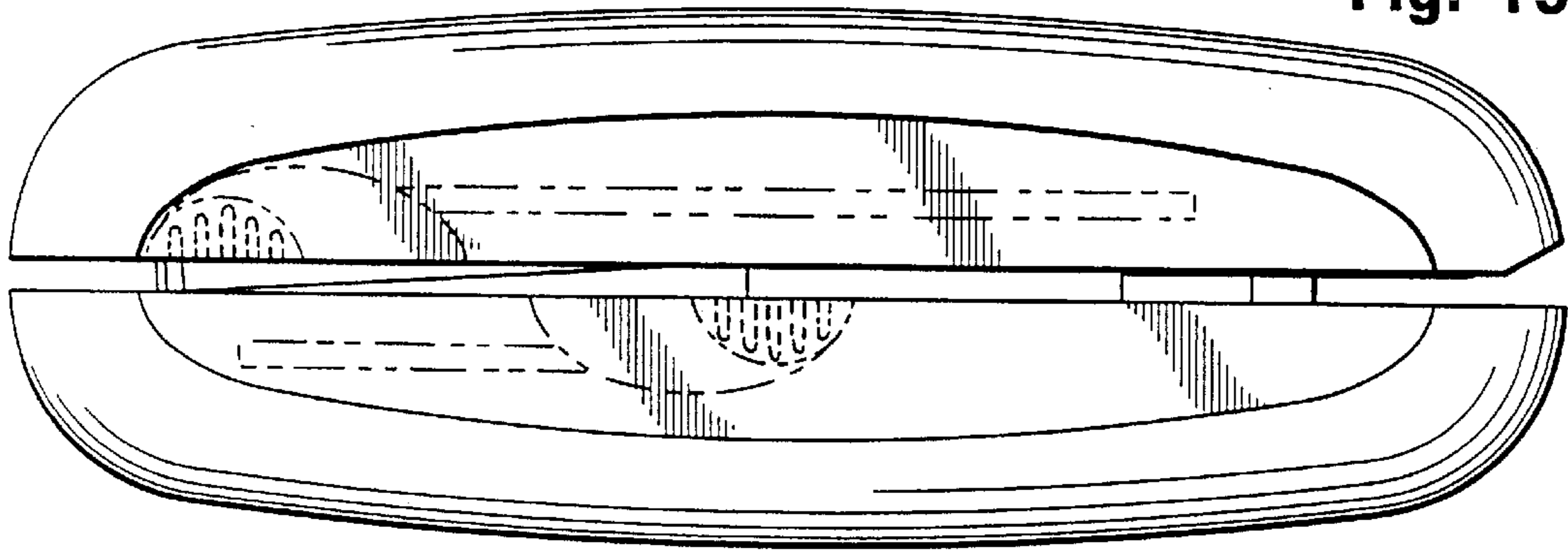


Fig. 20

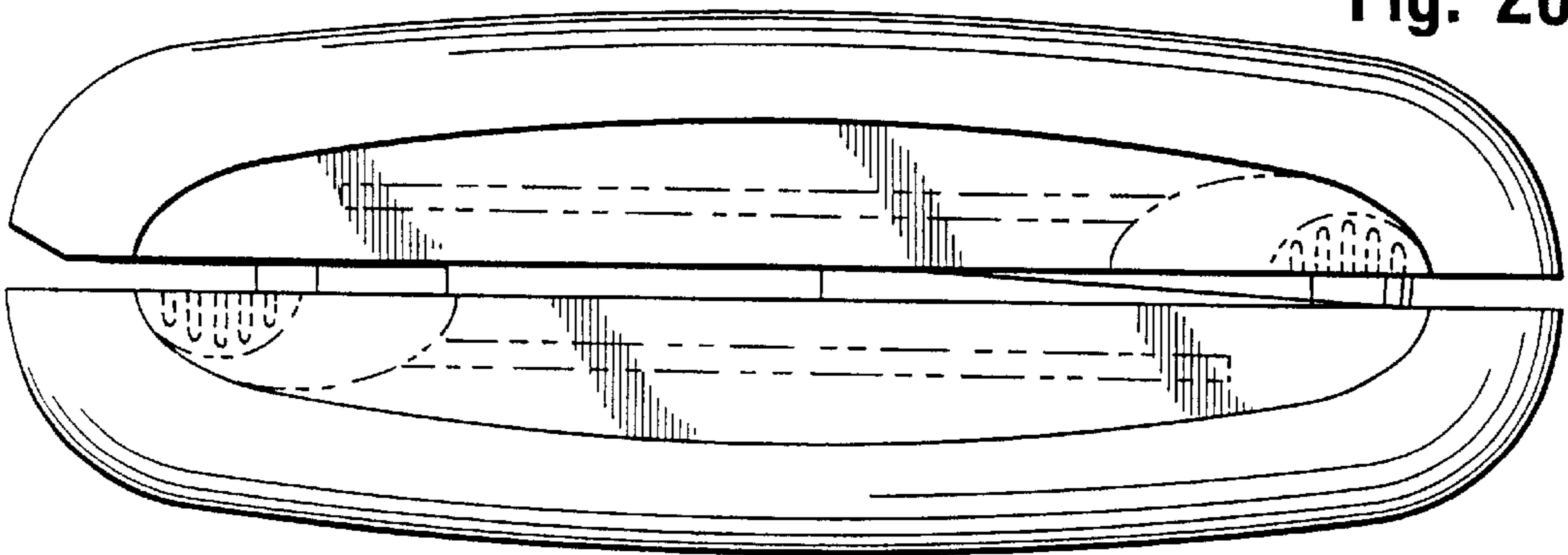


Fig. 21

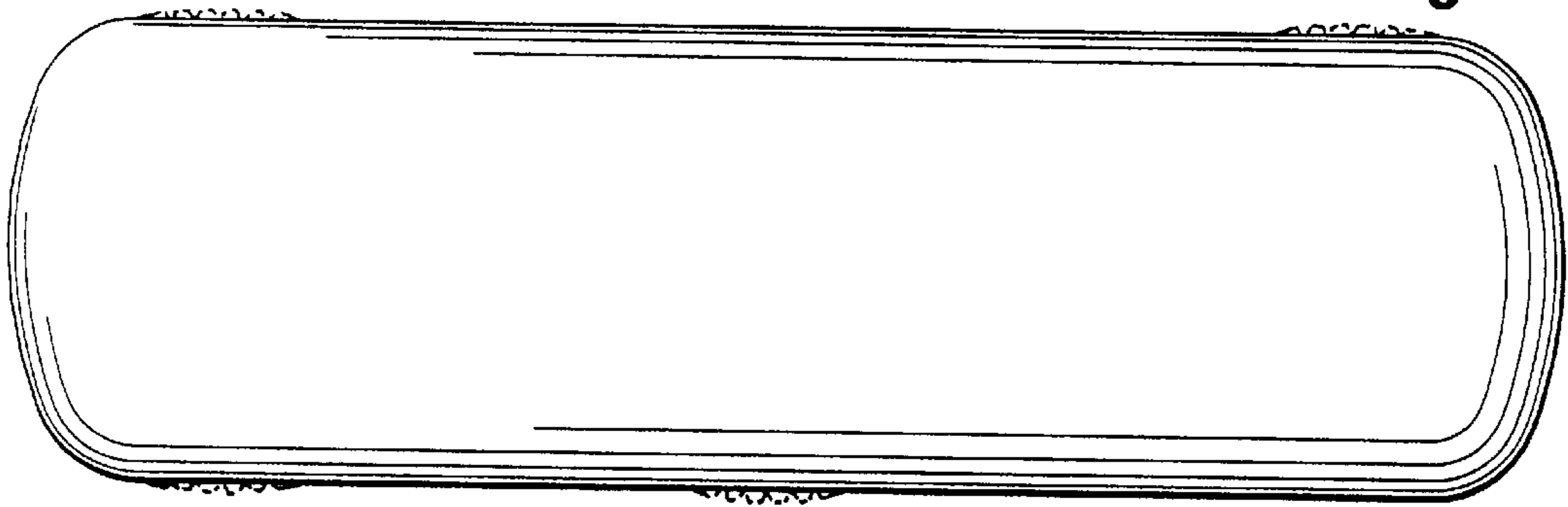


Fig. 22

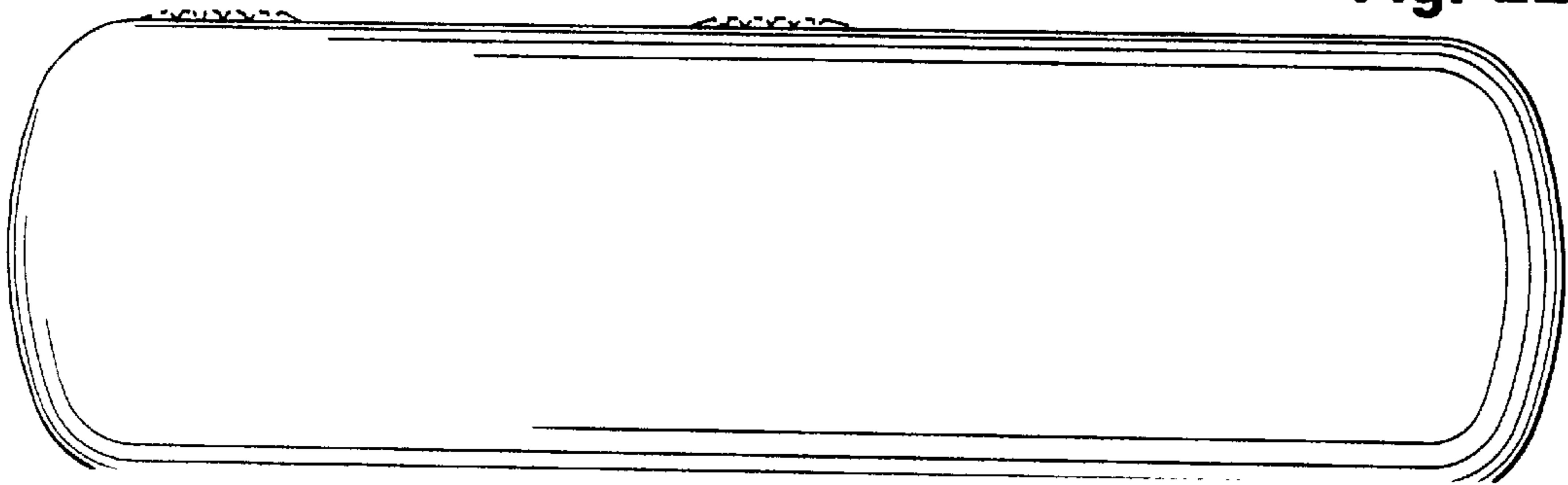


Fig. 23

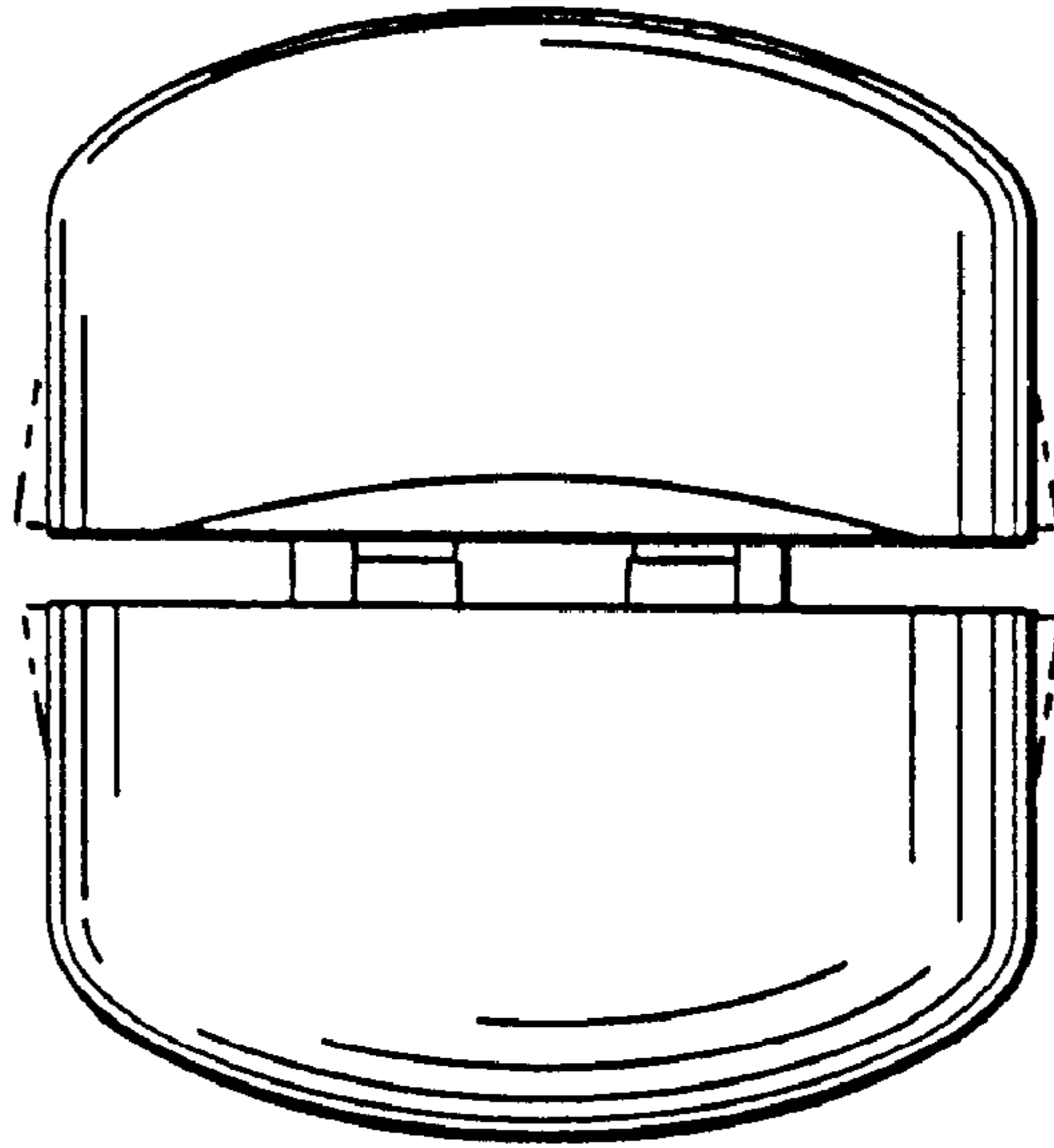
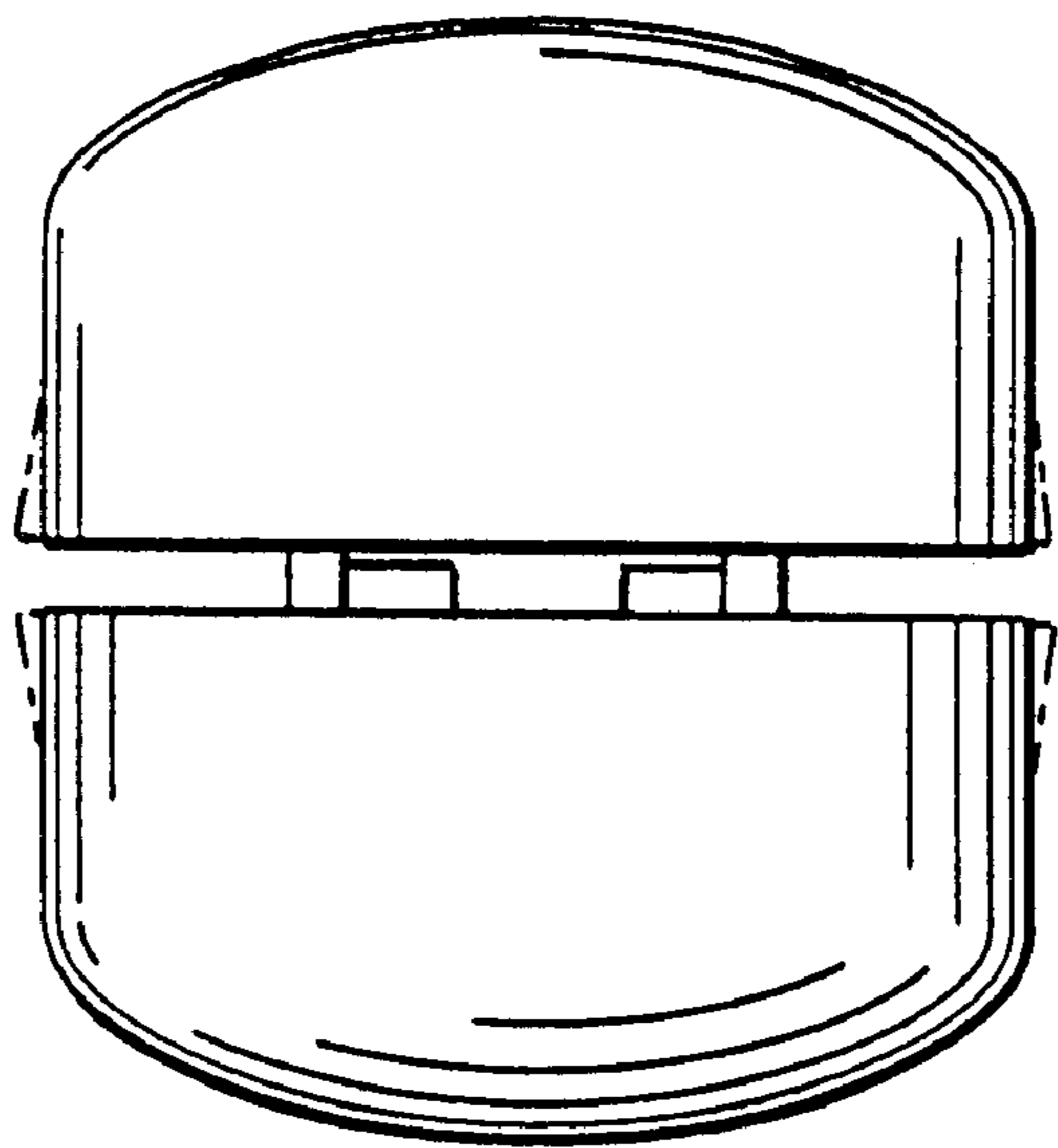


Fig. 24



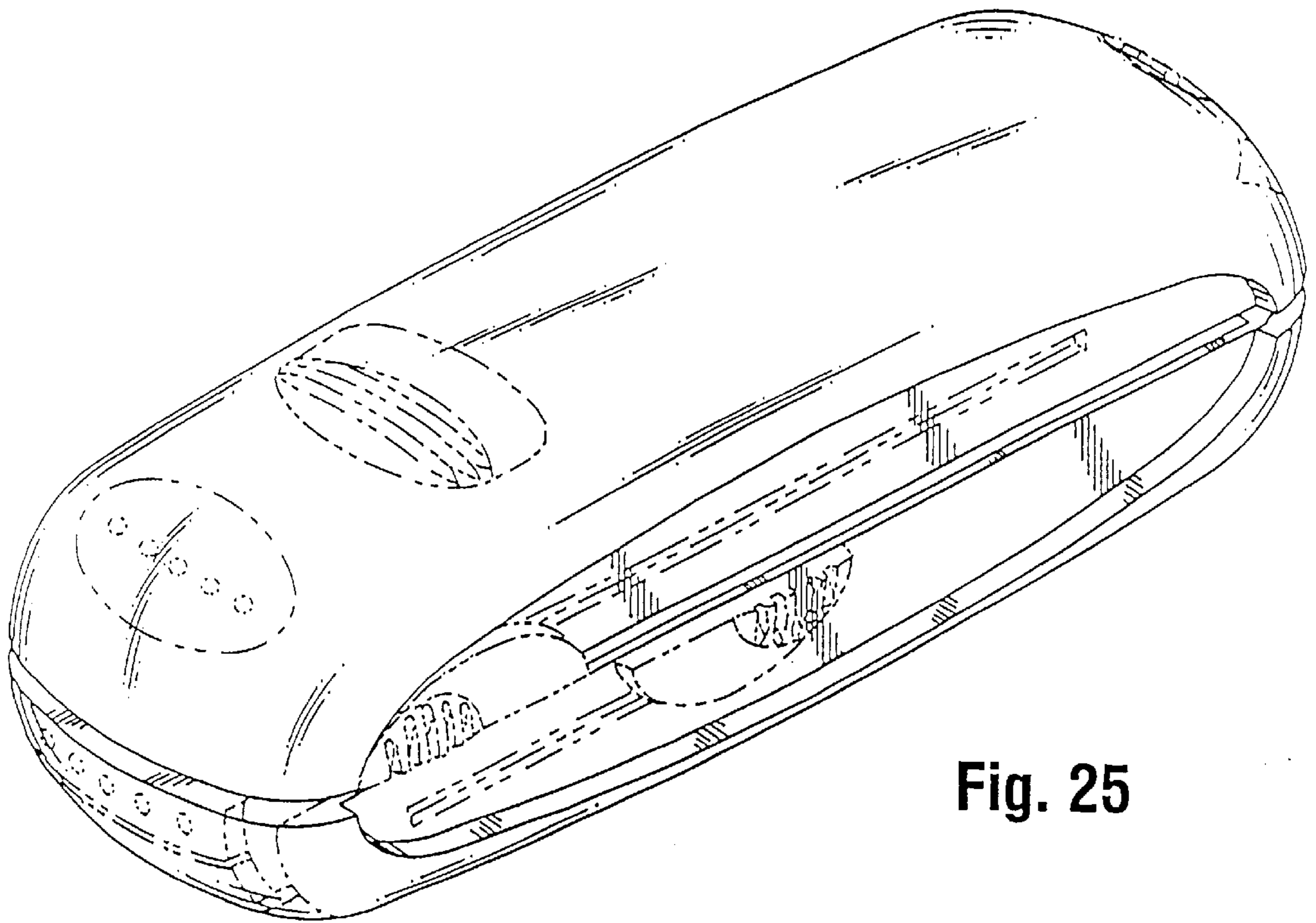


Fig. 25

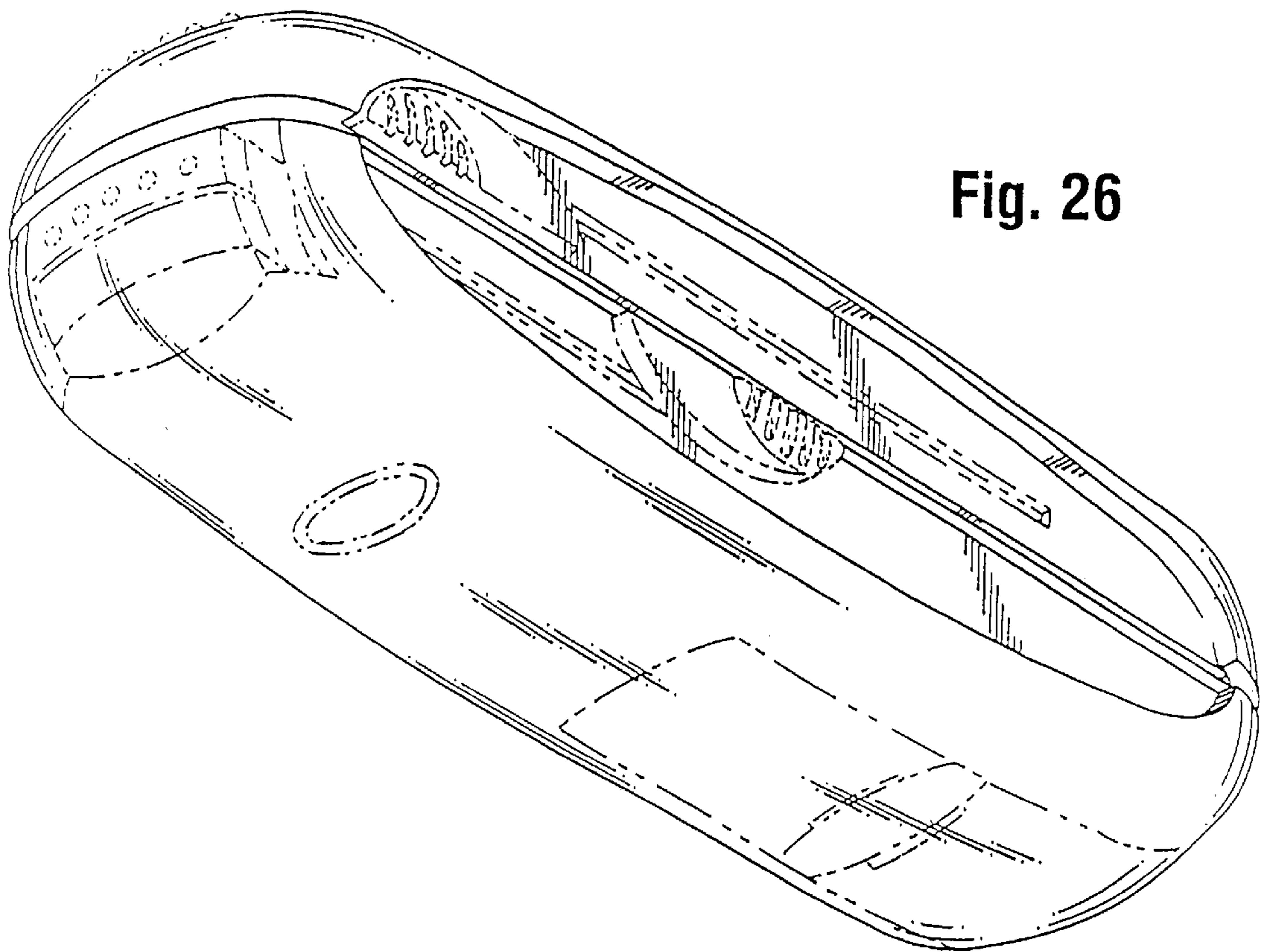


Fig. 26

Fig. 27

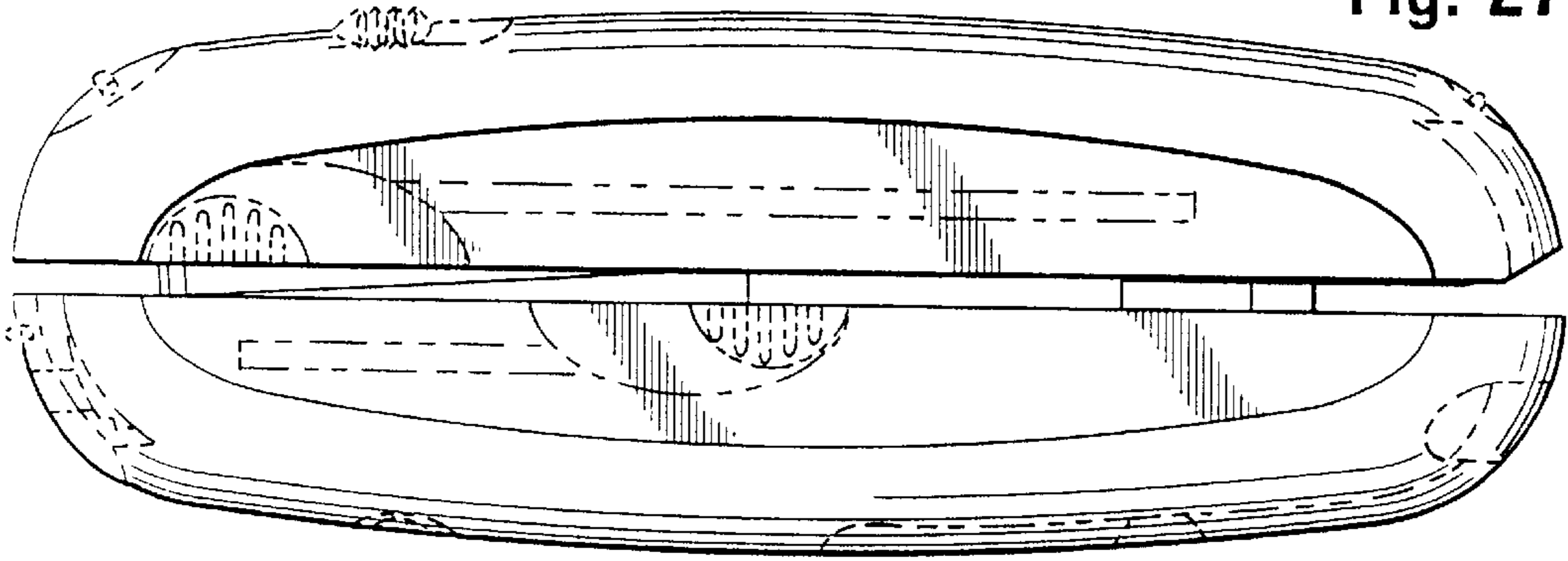


Fig. 28

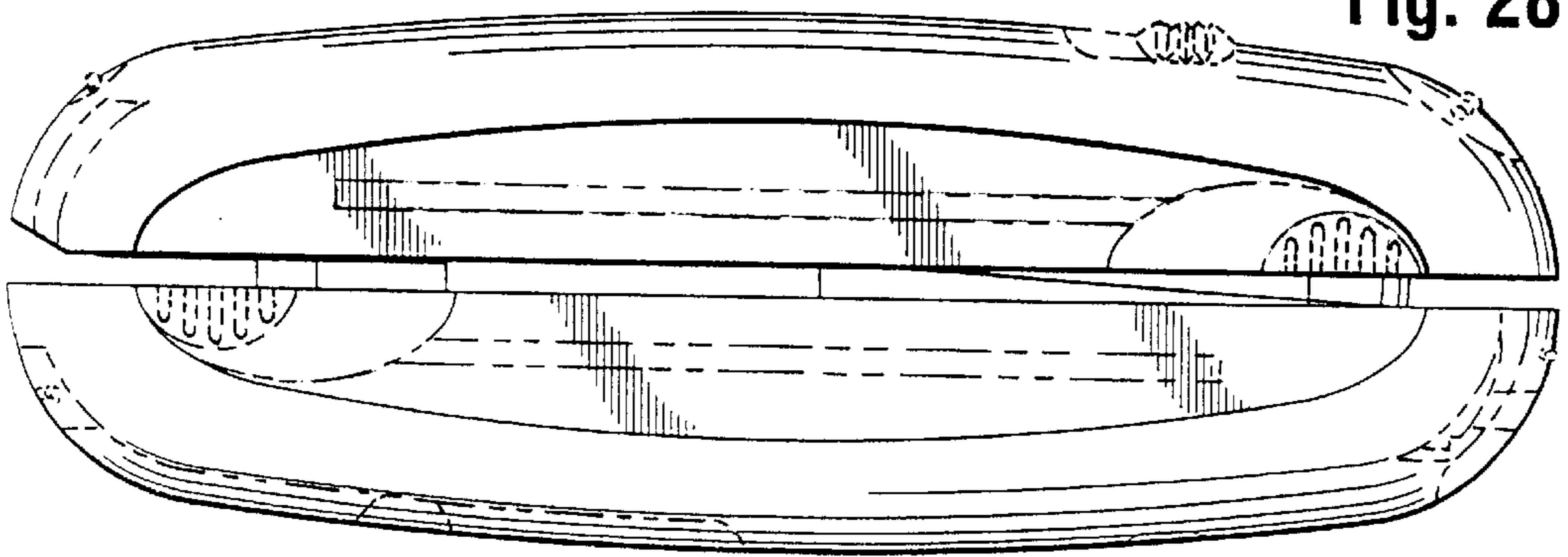


Fig. 29

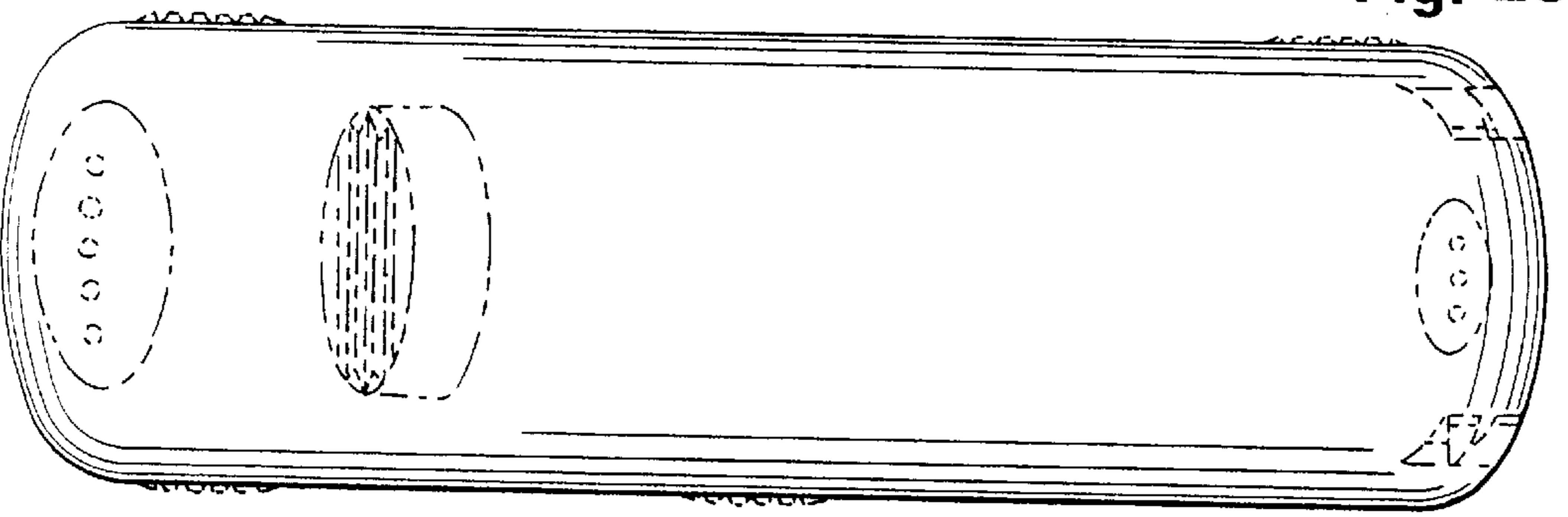


Fig. 30

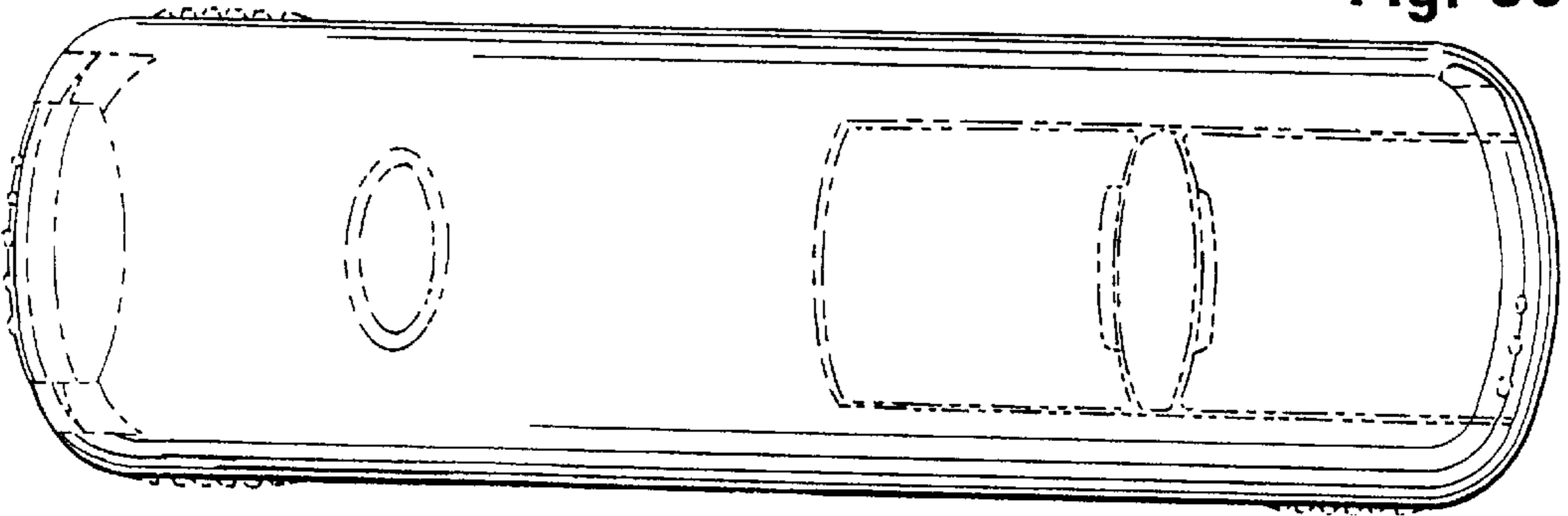


Fig. 31

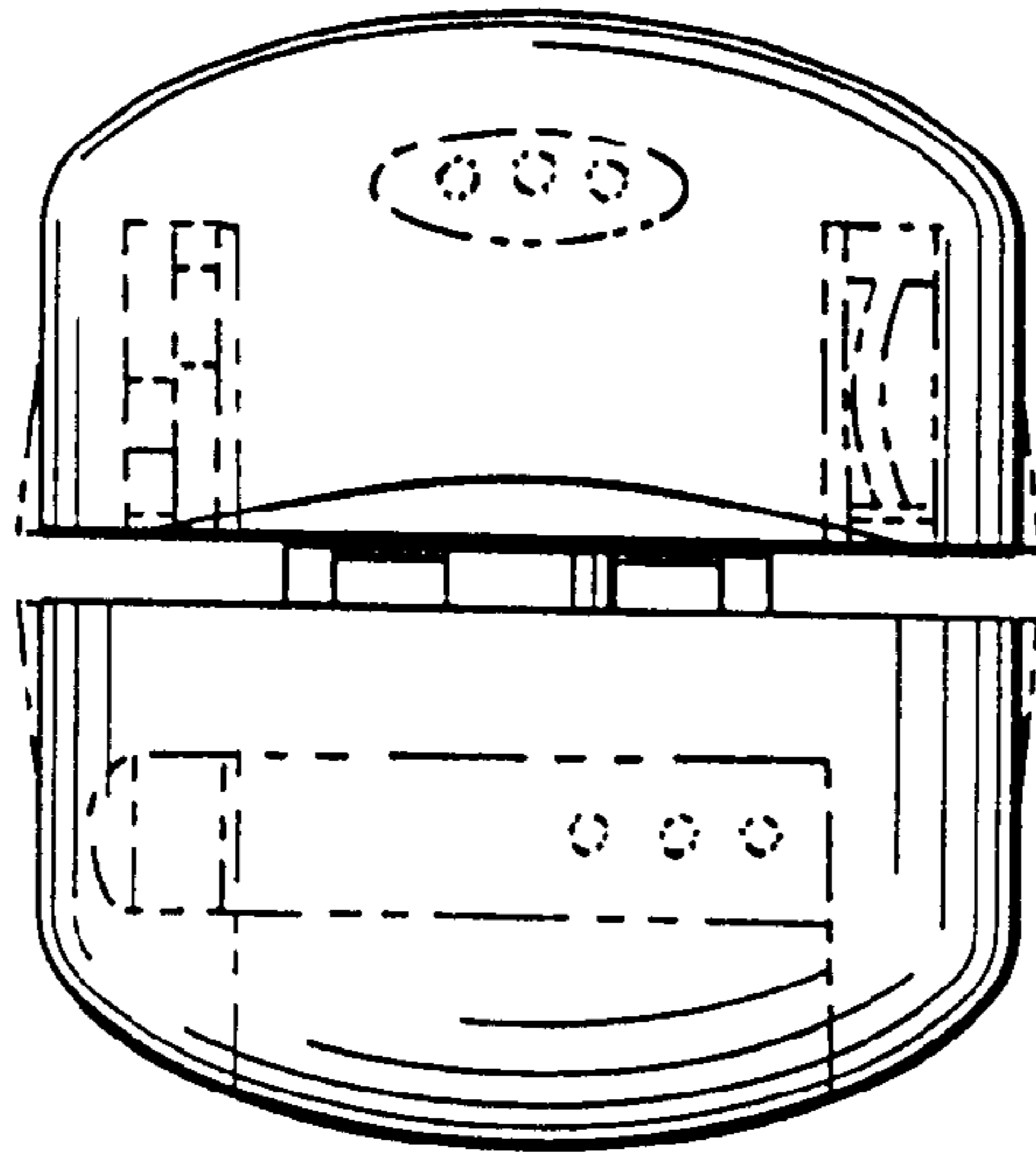


Fig. 32

