



US00D434069S

United States Patent [19]

McGlashan et al.

[11] Patent Number: **Des. 434,069**

[45] Date of Patent: **** Nov. 21, 2000**

[54] **WIDE FORMAT INK JET PRINTER WITH MULTIPLE MEDIA INPUT TRAYS**

[75] Inventors: **David Bruce McGlashan; Memphis Yin Zhihong**, both of Singapore, Singapore

[73] Assignee: **Hewlett-Packard Company**, Palo Alto, Calif.

[**] Term: **14 Years**

[21] Appl. No.: **29/103,212**

[22] Filed: **Apr. 9, 1999**

[51] **LOC (7) Cl.** **14-02**

[52] **U.S. Cl.** **D18/55**

[58] **Field of Search** D18/36-39, 50, D18/54, 55; 400/613, 613.1-613.4, 691-694, 690.1-690.4

[56] References Cited

U.S. PATENT DOCUMENTS

D. 326,678	6/1992	Uchibori et al.	D18/55
D. 358,603	5/1995	Dodge et al.	D15/55
D. 363,713	10/1995	Kanari et al.	D18/55
D. 374,032	9/1996	Kobayashi et al.	D18/55

D. 383,487	9/1997	Mochihara et al.	D18/55
D. 387,085	12/1997	Masujima et al.	D18/54
D. 389,861	1/1998	Kobayashi et al.	D18/55
D. 399,251	10/1998	McGlashan	D18/55

Primary Examiner—Cathy Anne MacCormac

[57] CLAIM

The ornamental design for a wide format ink jet printer with multiple media input trays, as shown.

DESCRIPTION

FIG. 1 is a perspective view of a wide format ink jet printer with multiple media input trays showing a new design. One of the media input trays is shown in a position to accommodate media of a larger size.

FIG. 2 is a left side elevation view of the ink jet printer in FIG. 1.

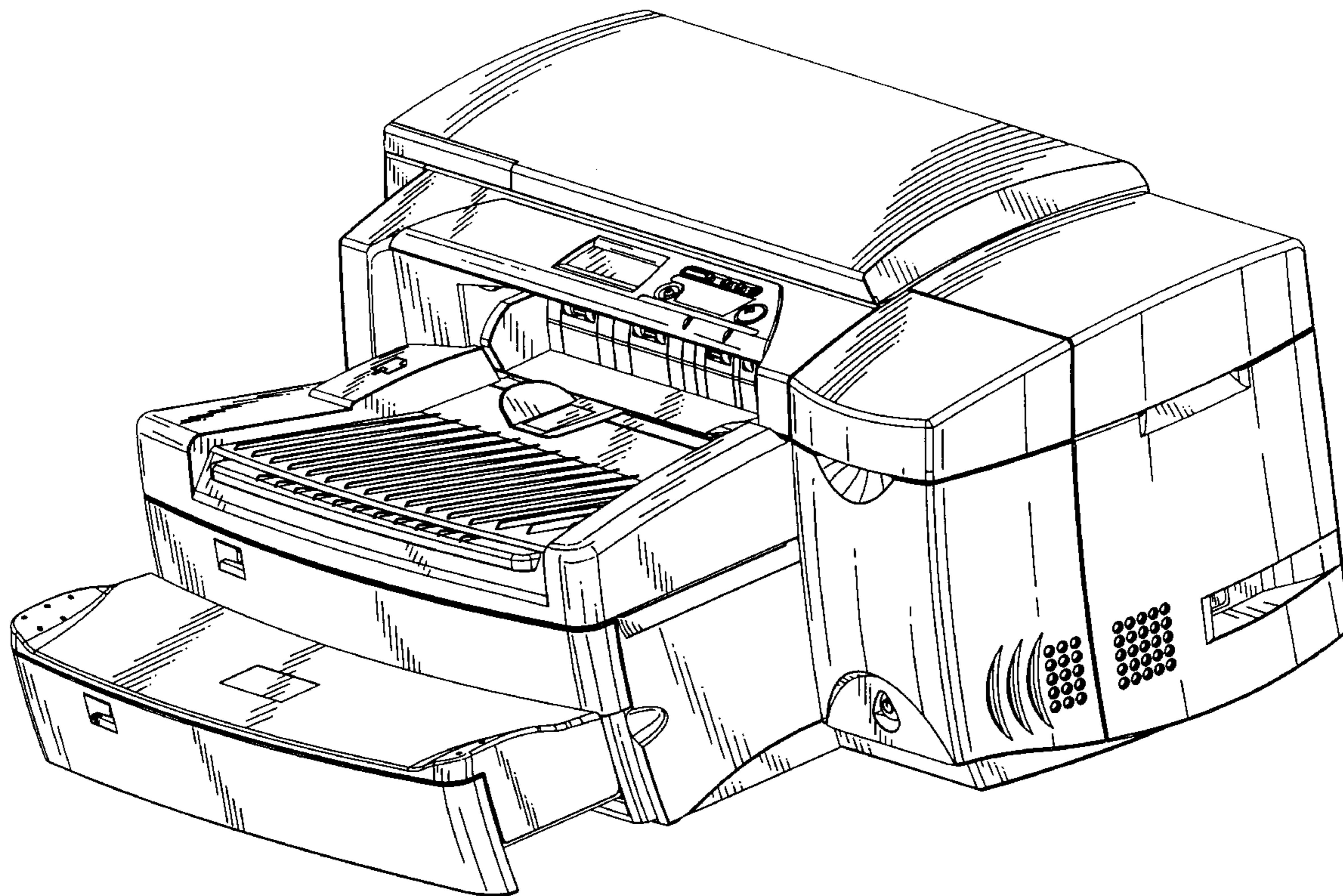
FIG. 3 is a right side elevation view of the ink jet printer in FIG. 1.

FIG. 4 is a front elevation view of the ink jet printer in FIG. 1.

FIG. 5 is a back elevation view of the ink jet printer in FIG. 1.

FIG. 6 is a top plan view of the ink jet printer in FIG. 1; and, FIG. 7 is a bottom plan view of the ink jet printer in FIG. 1.

1 Claim, 5 Drawing Sheets



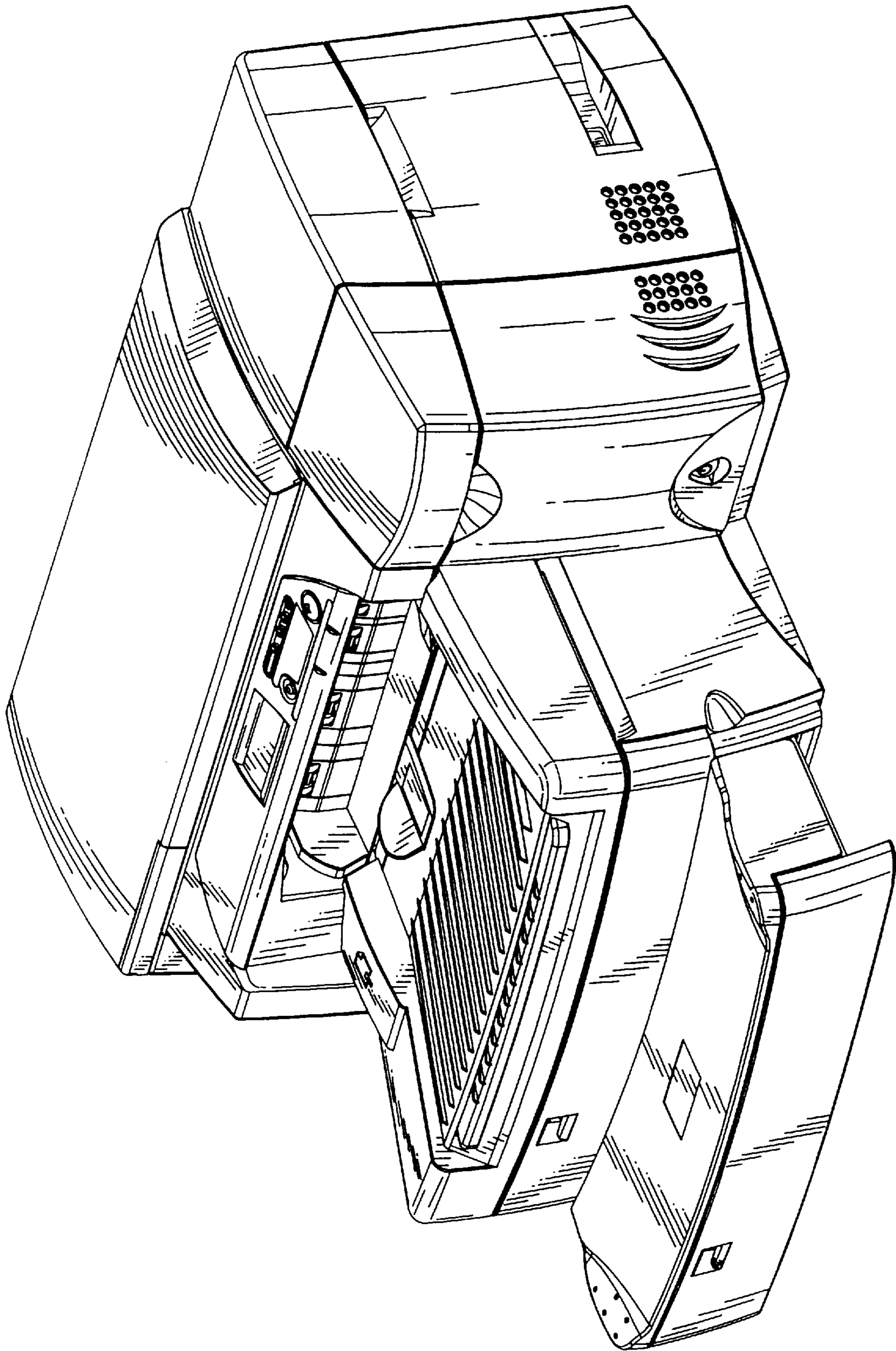


Figure 1

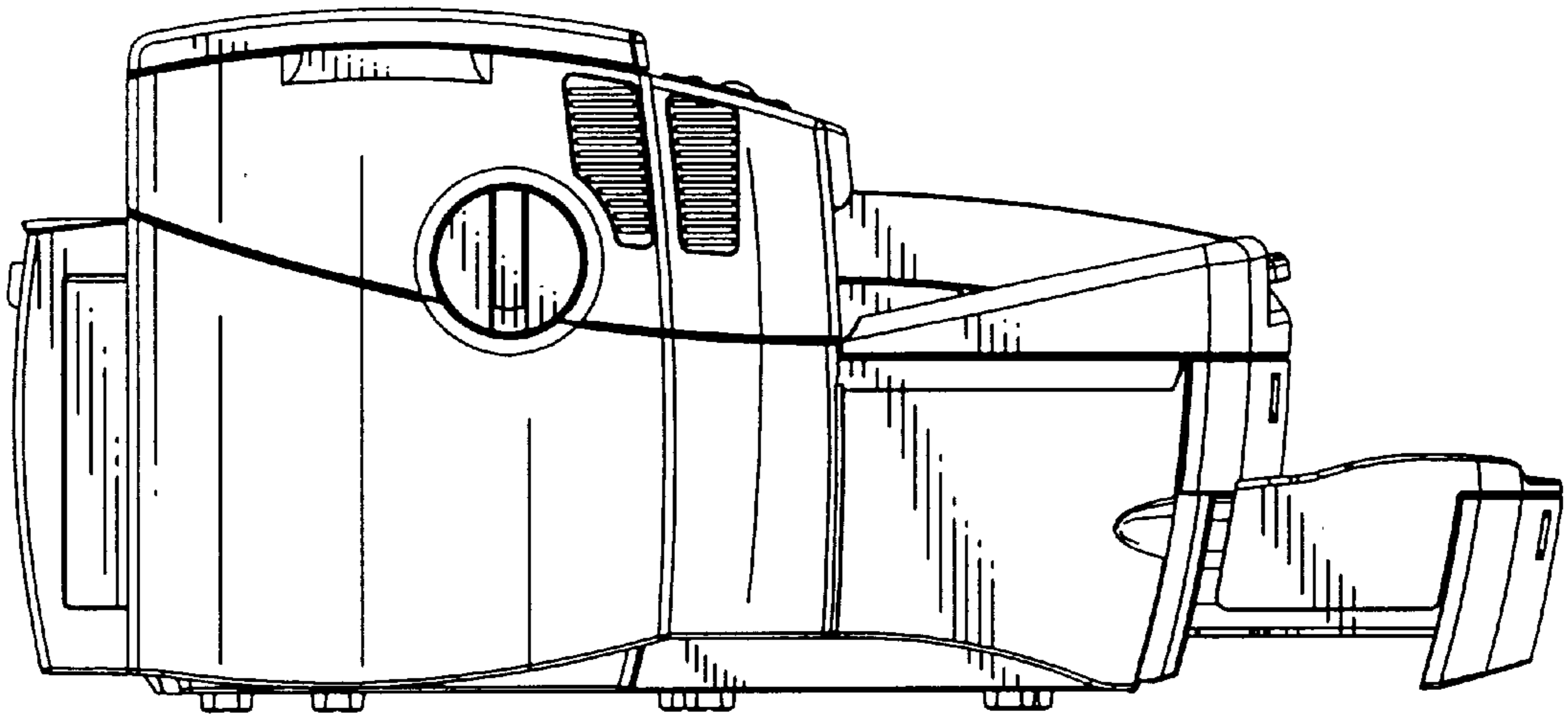


Figure 2

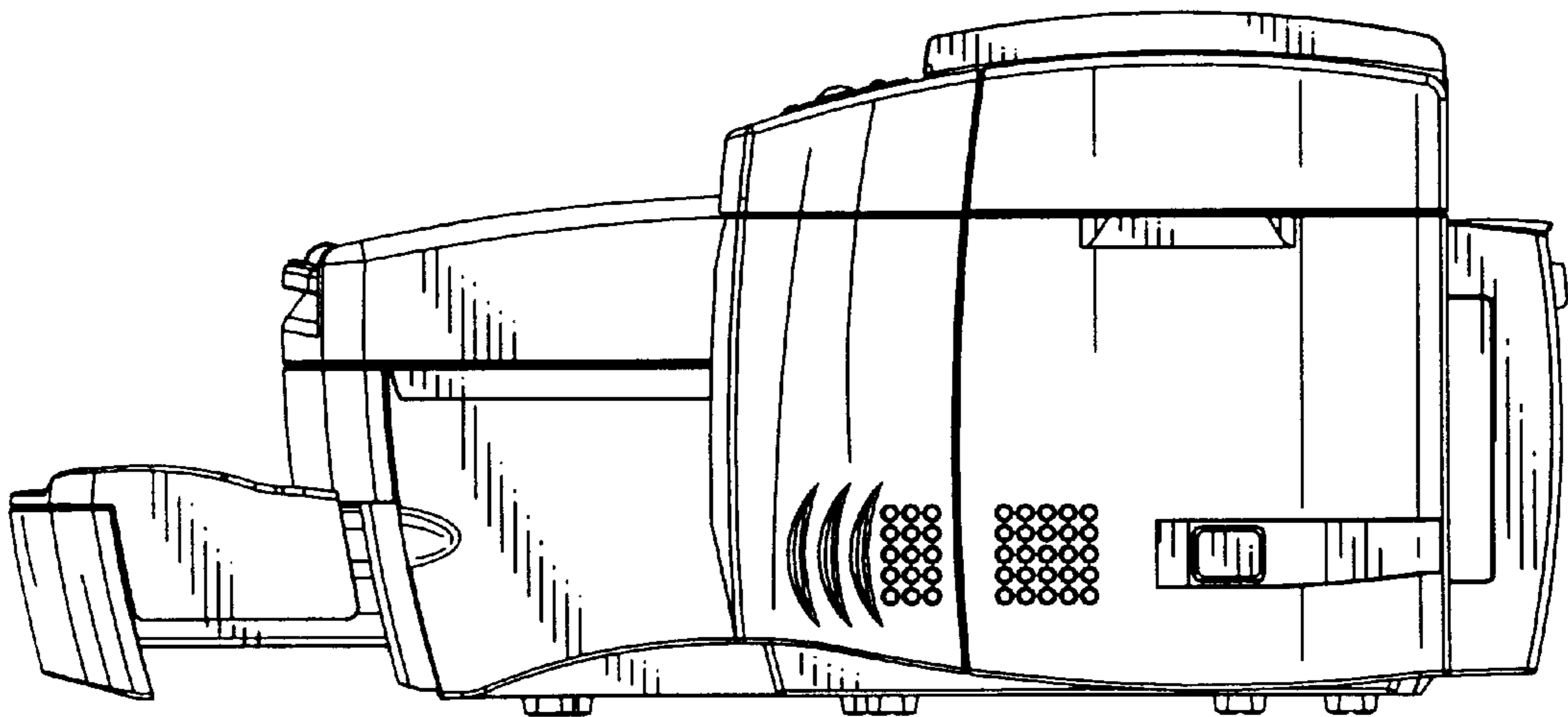


Figure 3

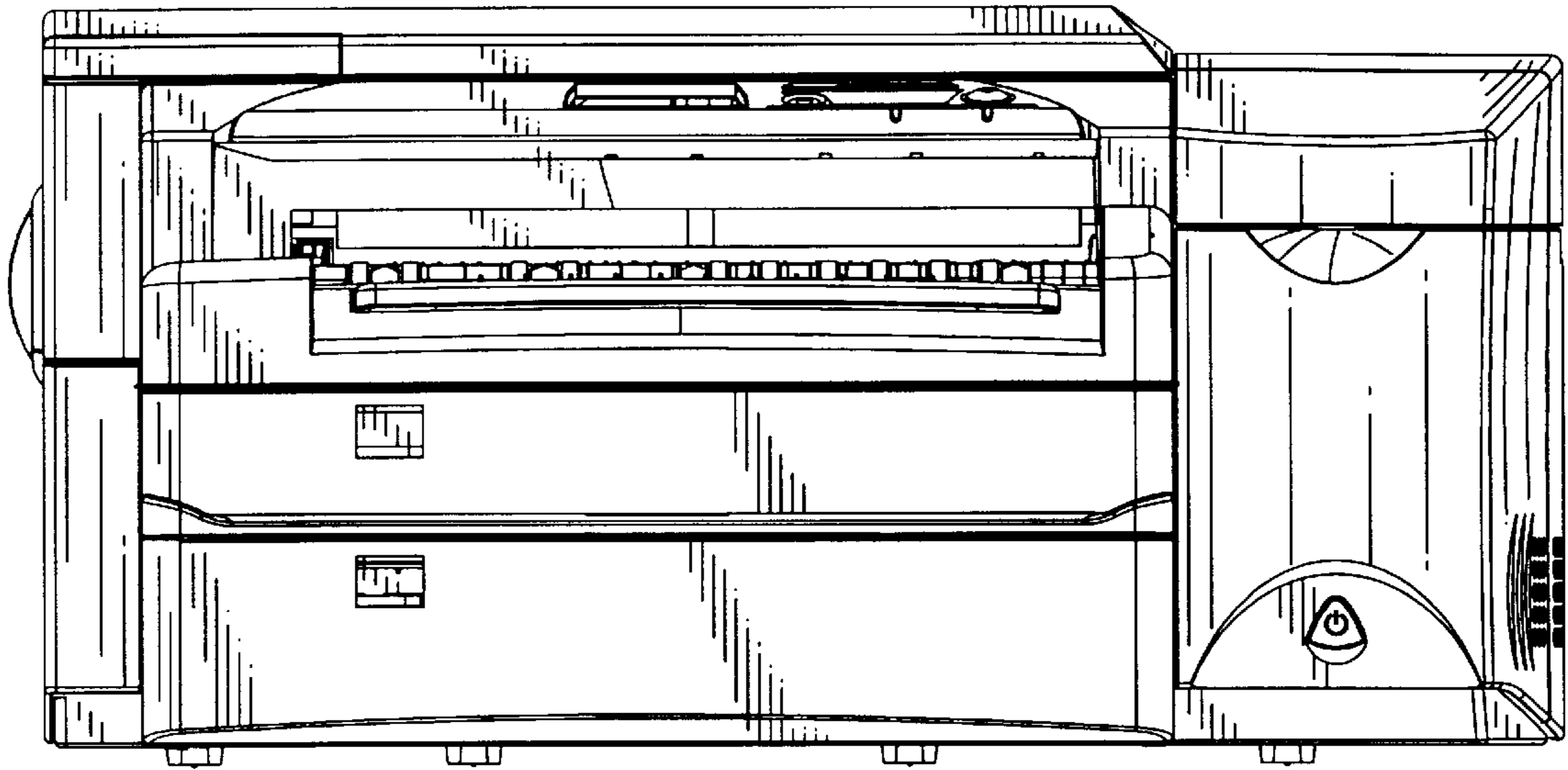


Figure 4

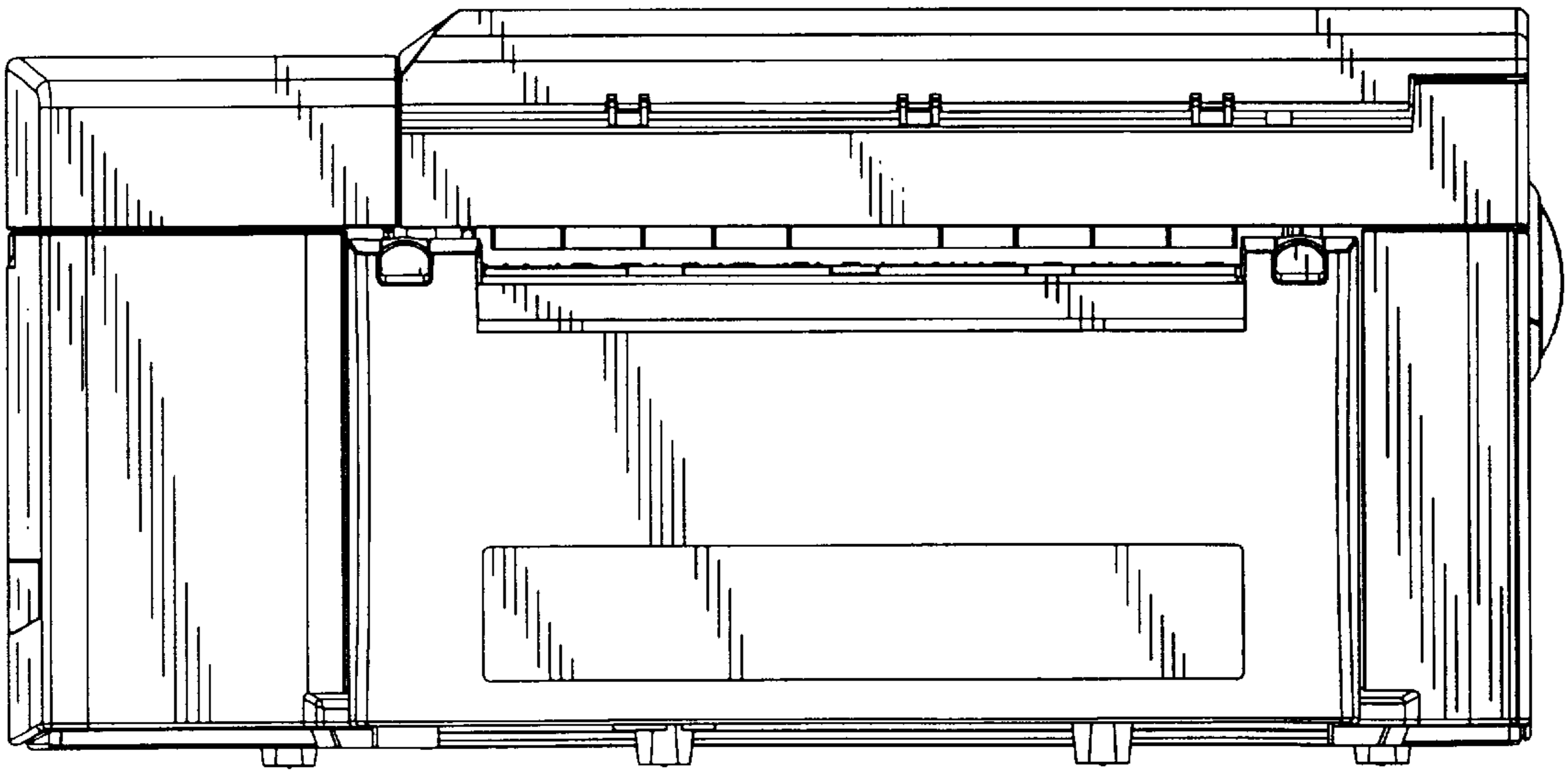


Figure 5

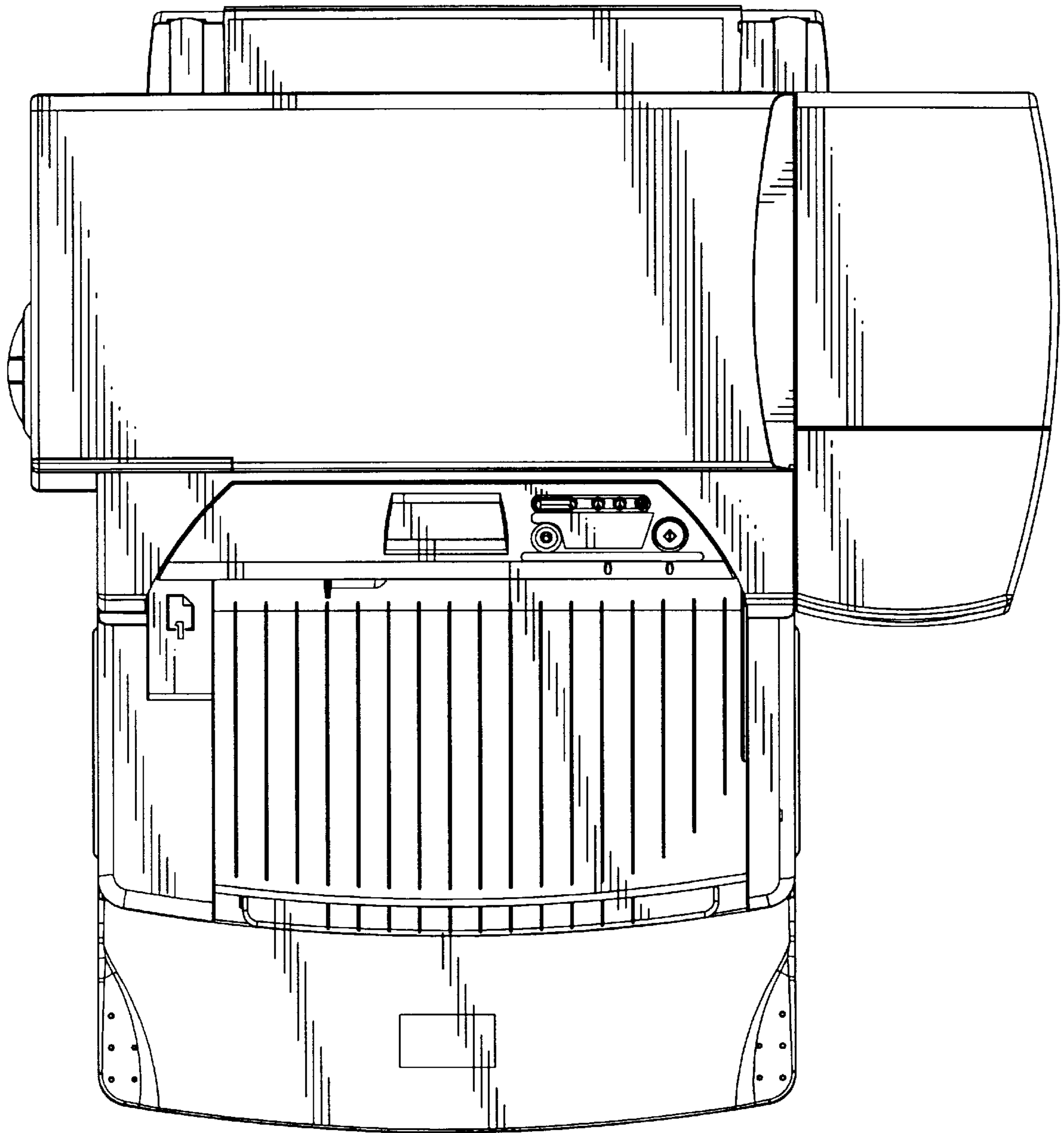


Figure 6

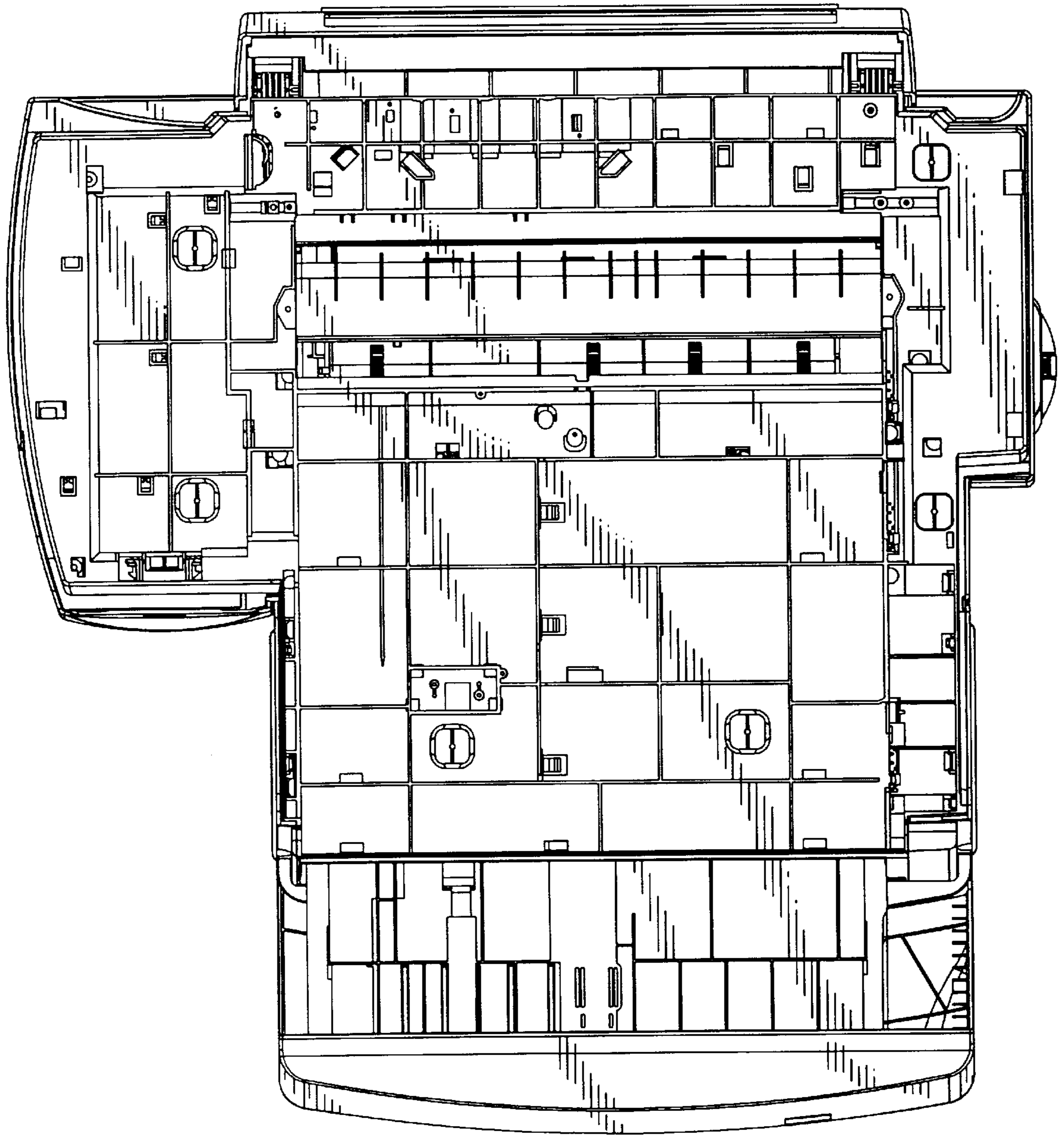


Figure 7