



US00D434067S

United States Patent [19] Chen

[11] **Patent Number: Des. 434,067**

[45] **Date of Patent: ** Nov. 21, 2000**

[54] **OFFICE BUSINESS MACHINE**

[75] Inventor: **Ching Hui Chen**, Taipei, Taiwan

[73] Assignee: **Silitek Corporation**, Taipei, Taiwan

[**] Term: **14 Years**

[21] Appl. No.: **29/116,255**

[22] Filed: **Jan. 3, 2000**

[51] **LOC (7) Cl.** **16-03**

[52] **U.S. Cl.** **D18/36**

[58] **Field of Search** D18/36-39, 54,
D18/55; 399/1, 75, 81, 130, 151

[56] **References Cited**

U.S. PATENT DOCUMENTS

- D. 331,069 11/1992 Hanasaki et al. D18/55
- D. 334,205 3/1993 Ratzlaff D18/39

- D. 334,769 4/1993 Yamamoto et al. D18/36
- D. 422,301 4/2000 Short et al. D18/36

Primary Examiner—Caron D. Veynar
Attorney, Agent, or Firm—Rosenberg, Klein & Lee

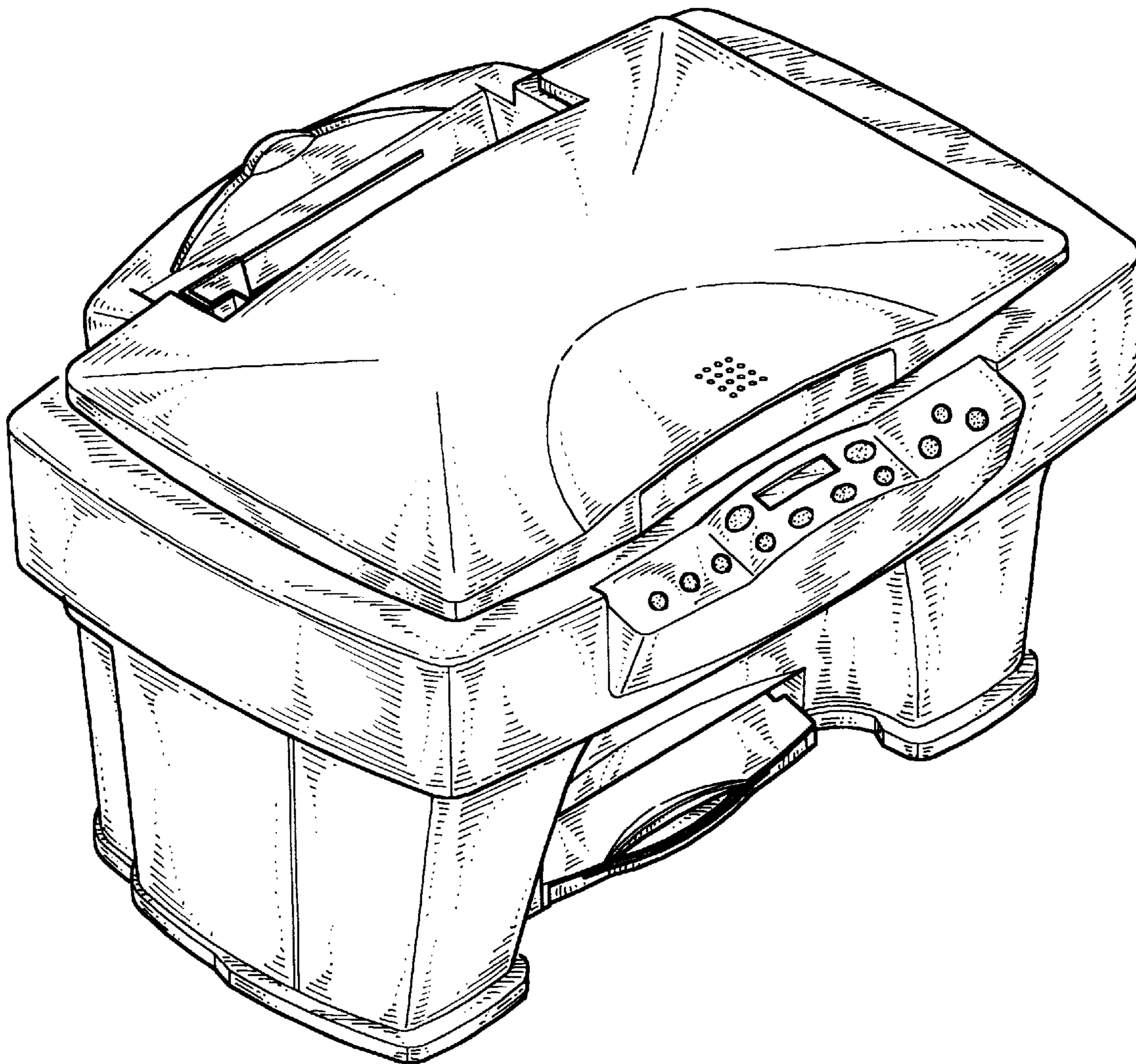
[57] **CLAIM**

The ornamental design for a “office business machine”, as shown and described.

DESCRIPTION

FIG. 1 is the perspective view of a office business machine showing my new design;
FIG. 2 is the front view thereof;
FIG. 3 is the rear view thereof;
FIG. 4 is the left side view thereof;
FIG. 5 is the right side view thereof;
FIG. 6 is the top view thereof; and,
FIG. 7 is the bottom view thereof.

1 Claim, 4 Drawing Sheets



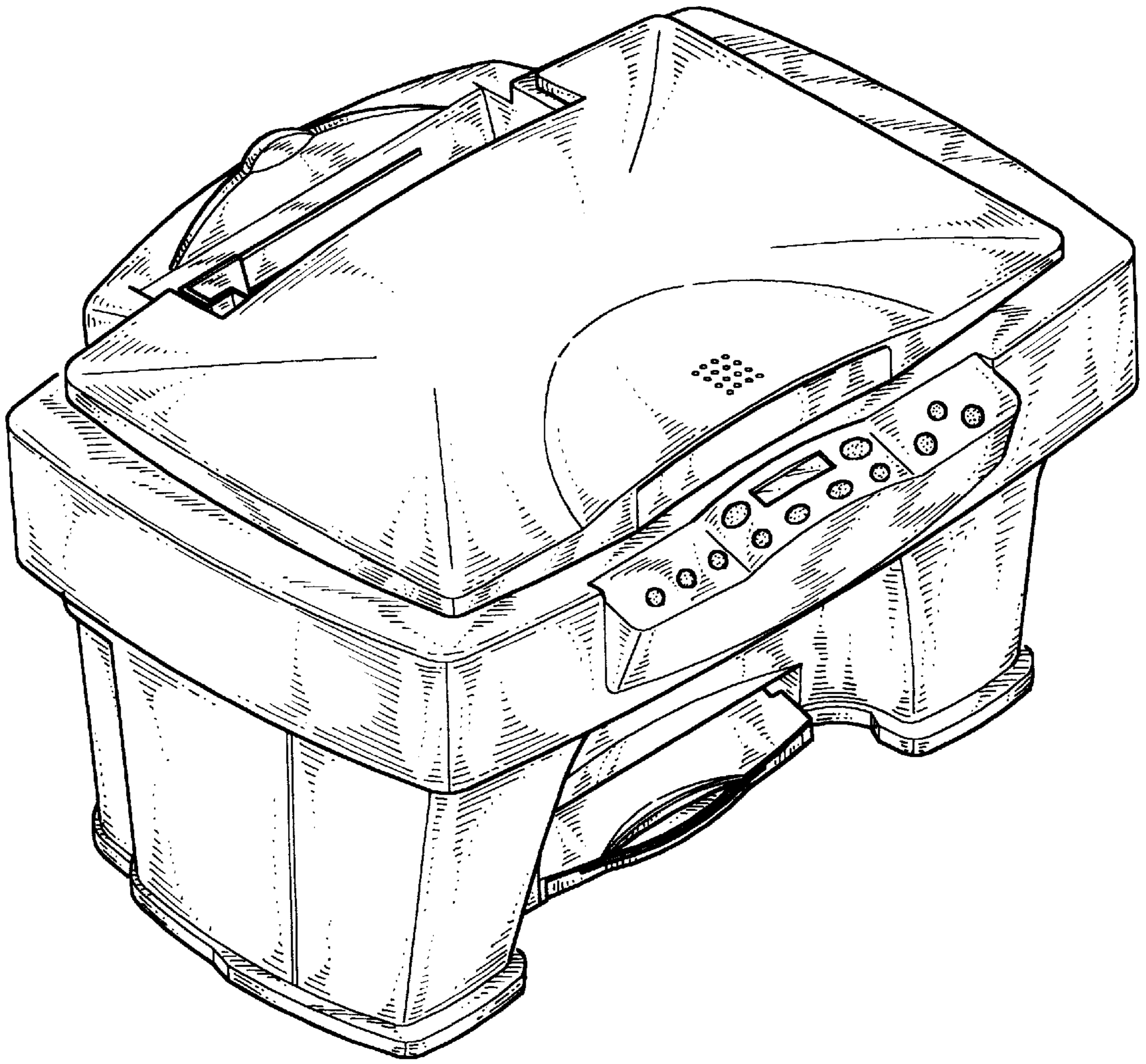


FIG. 1

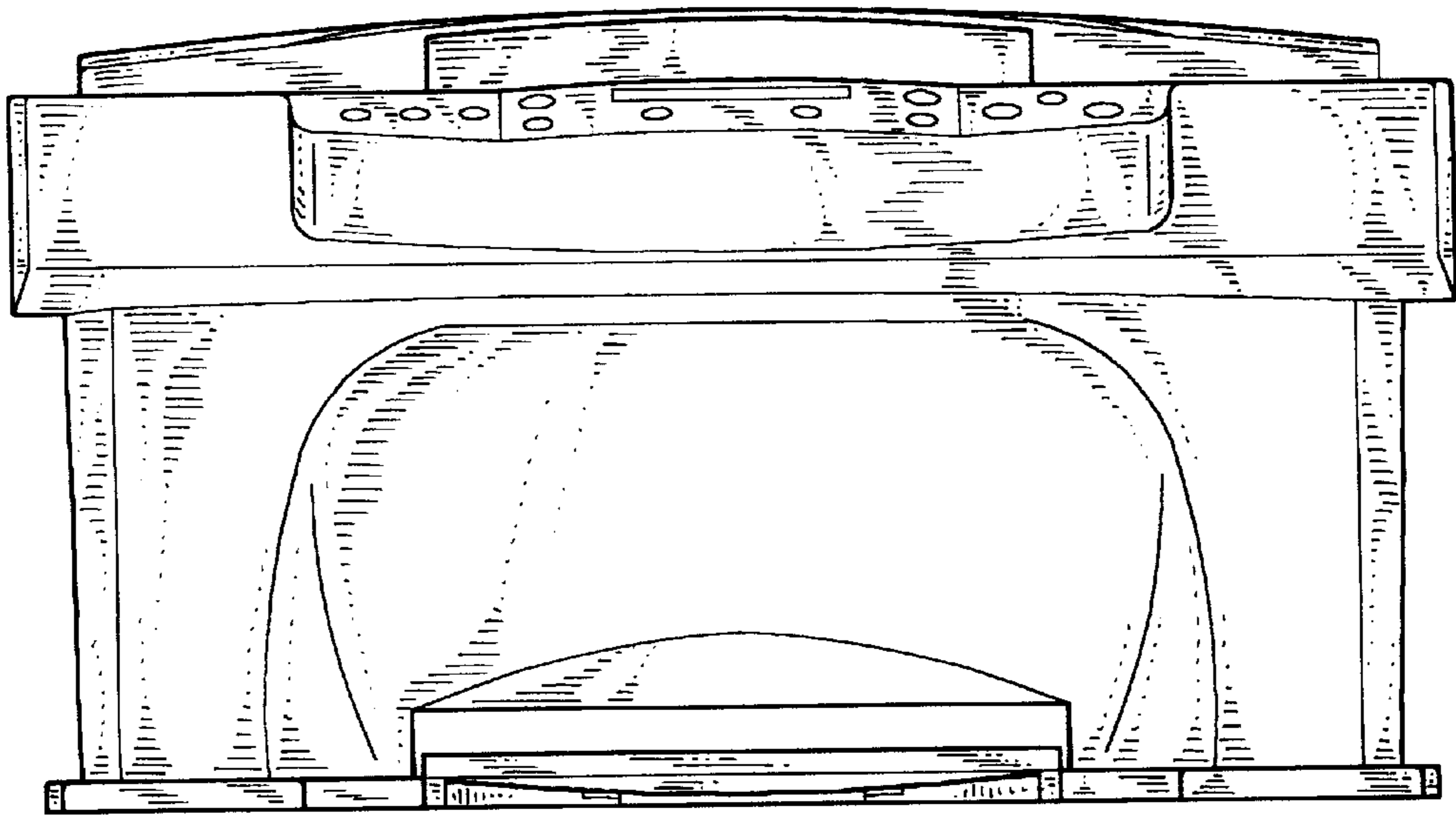


FIG. 2

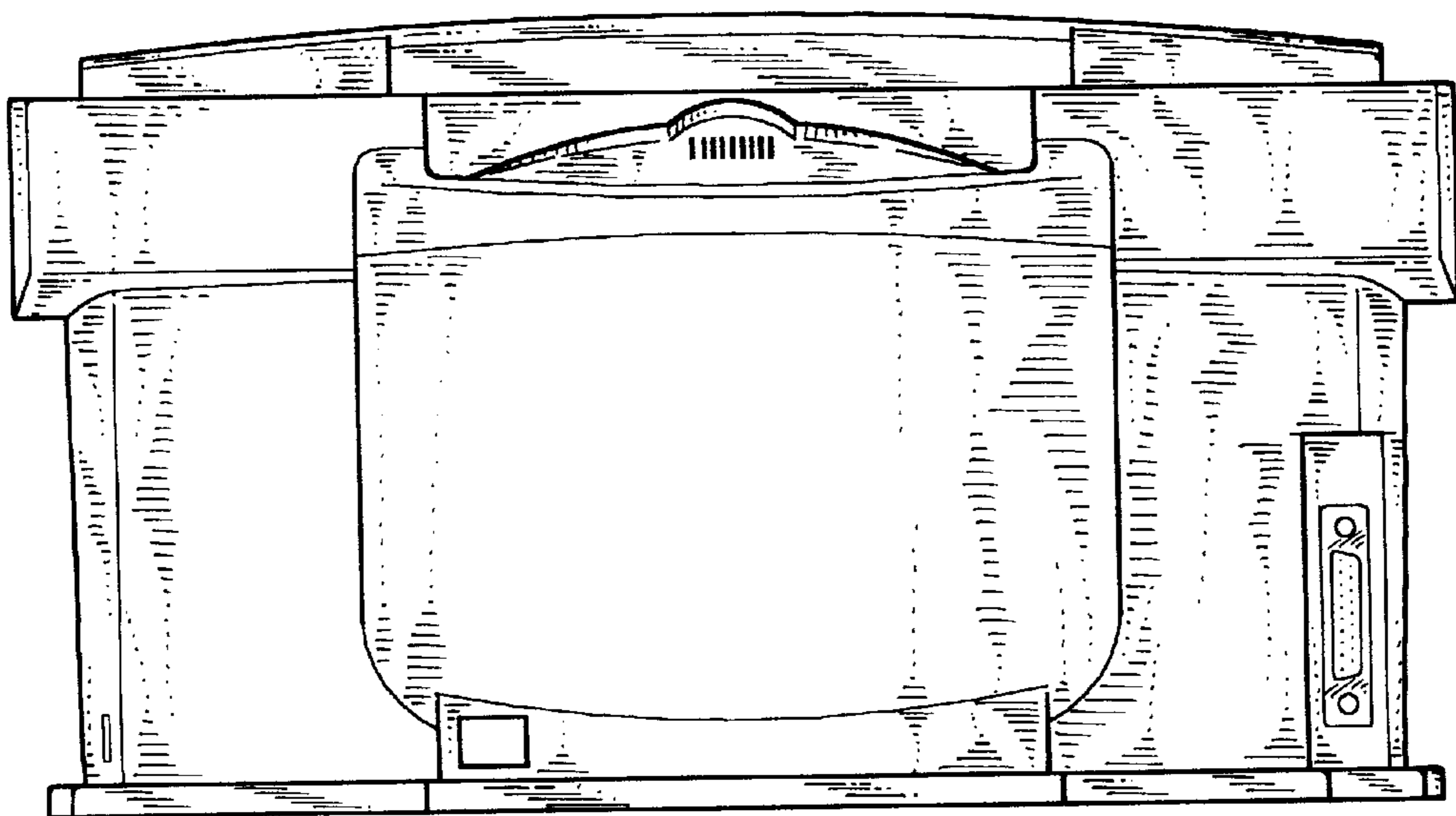


FIG. 3

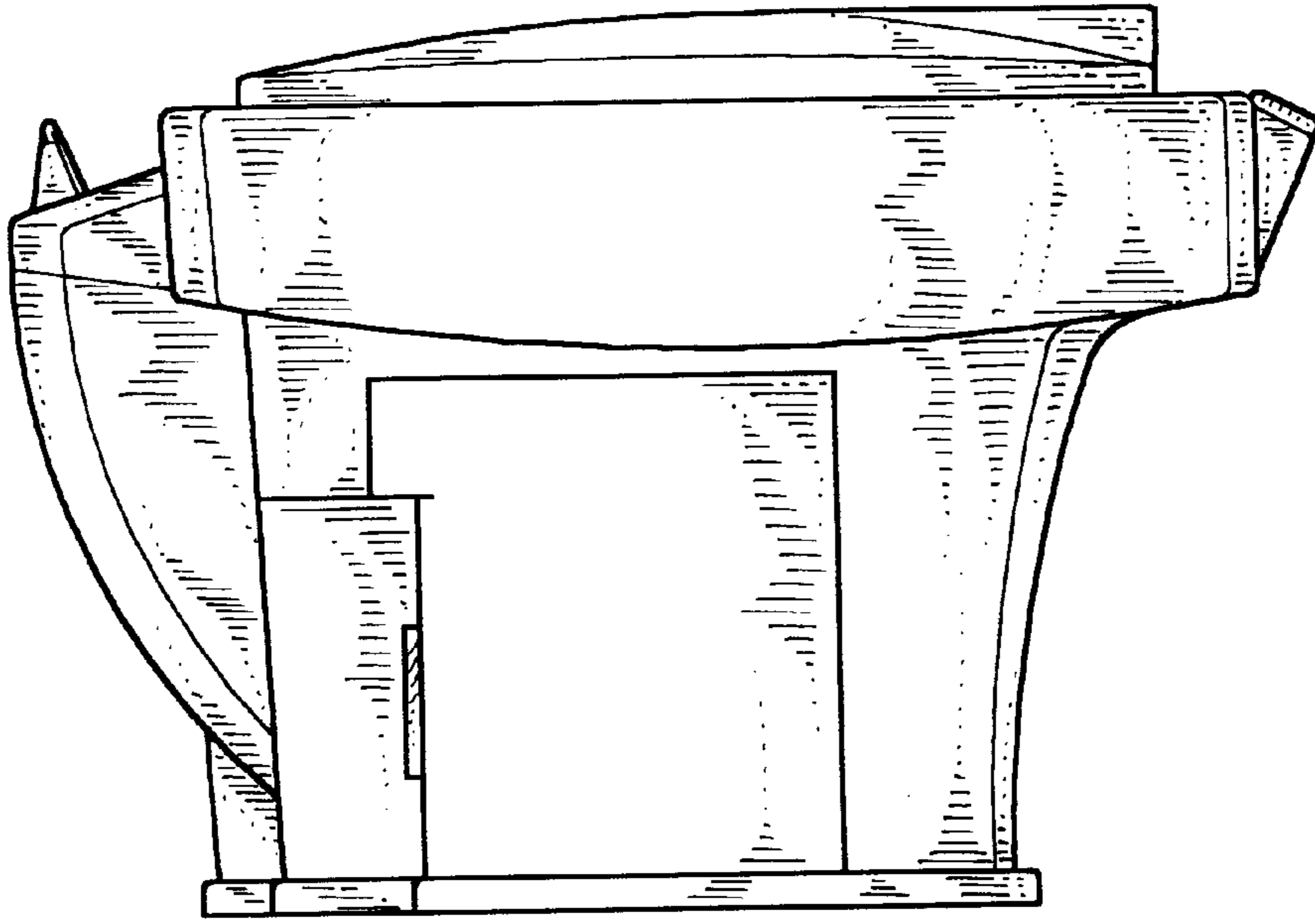


FIG. 4

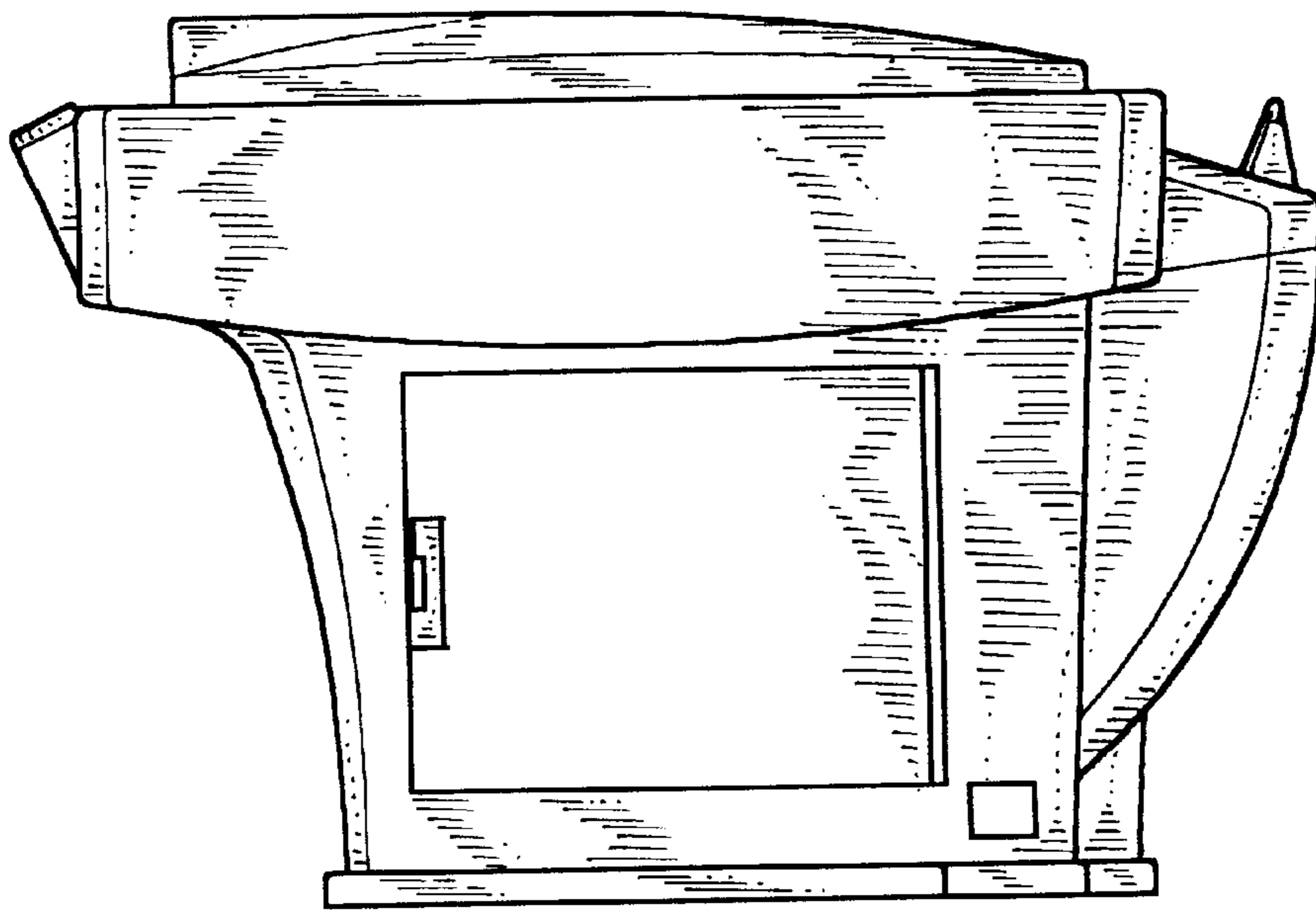


FIG. 5

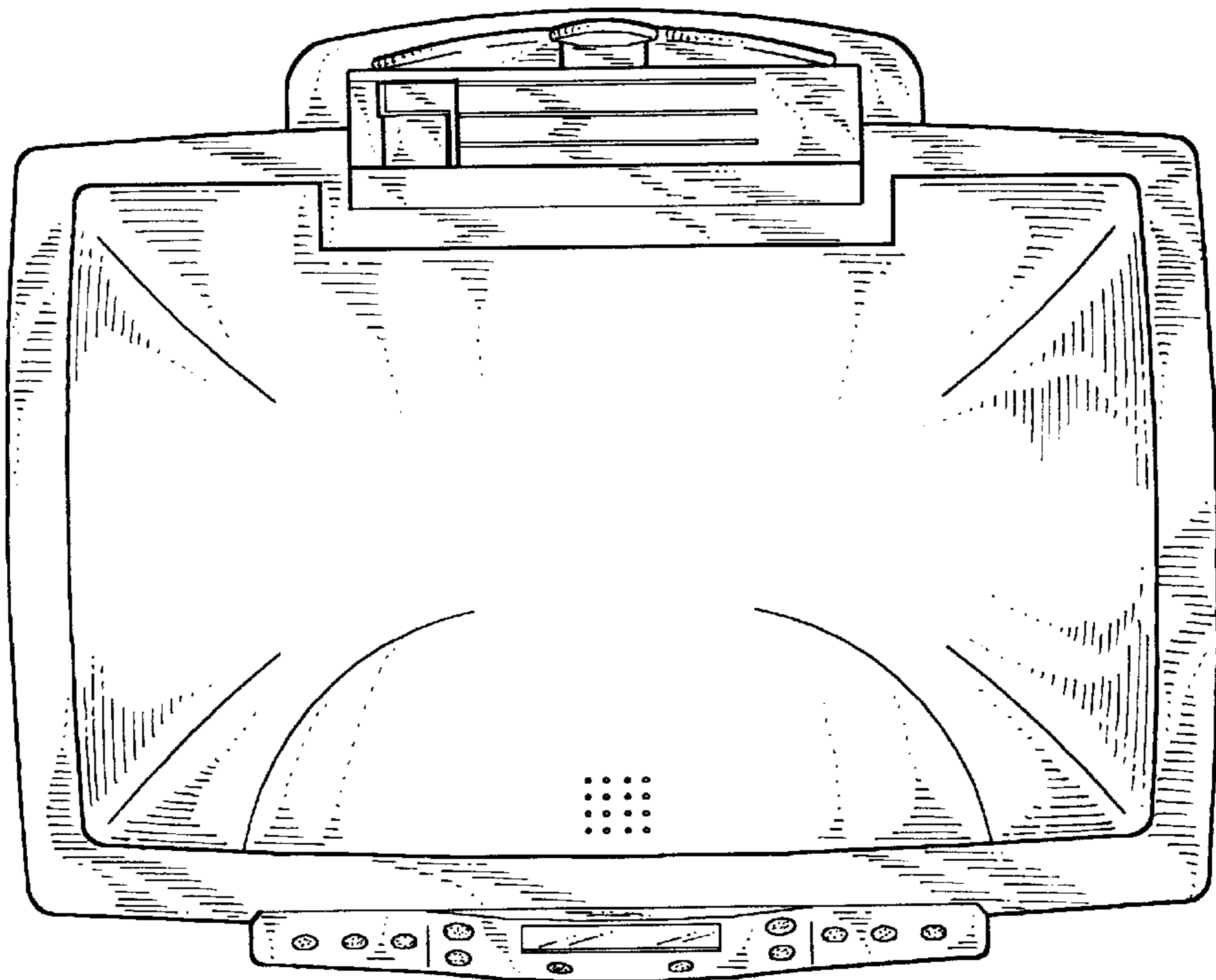


FIG. 6

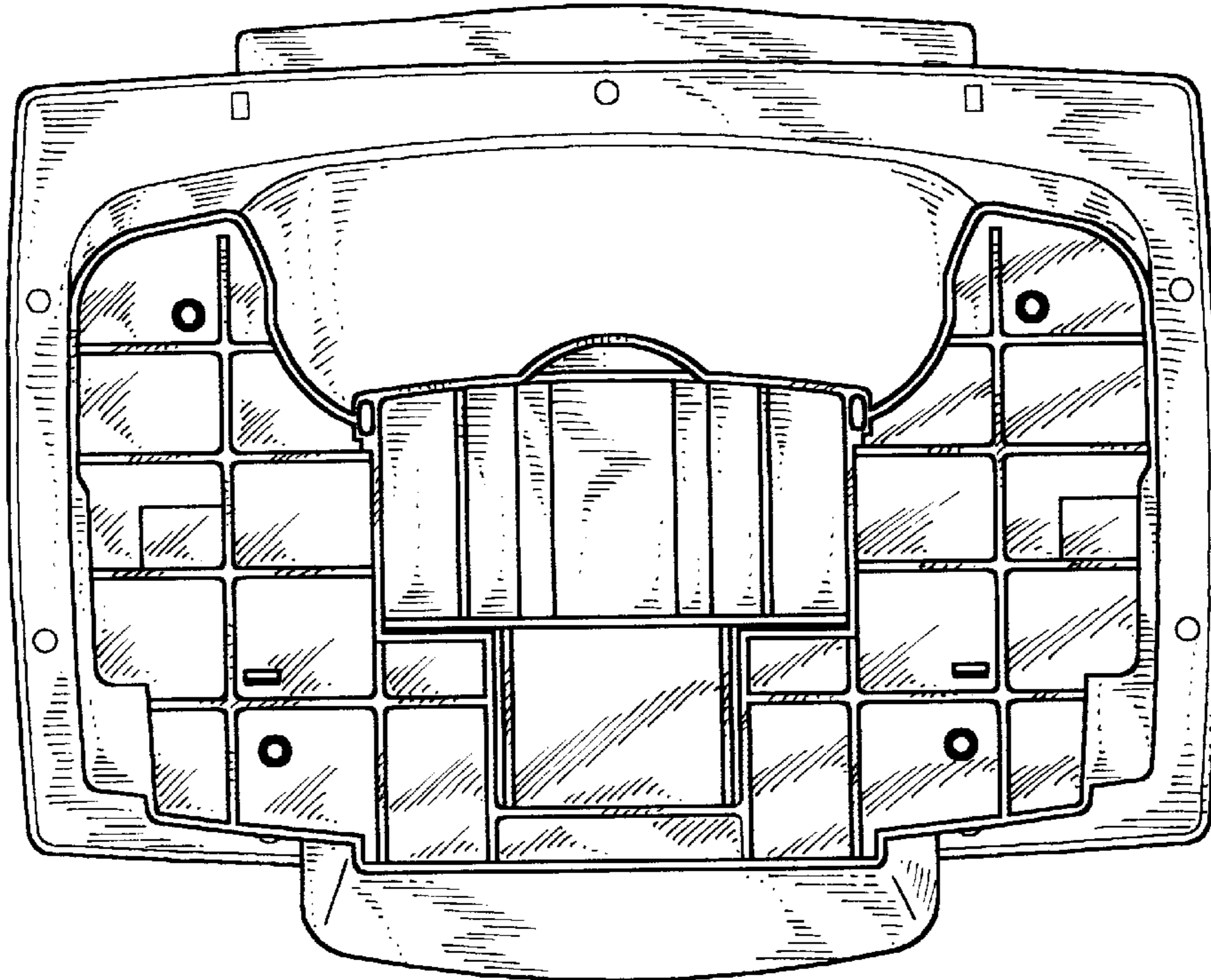


FIG. 7