

US00D434066S

United States Patent [19]

[11] **Patent Number: Des. 434,066**

Short et al.

[45] **Date of Patent: ** Nov. 21, 2000**

[54] **COMBINED PRINTER, COPIER AND SCANNER**

[75] Inventors: **D. Bradley Short**, San Diego; **Charles W. Dodge**, Escondido; **Ronald J. Kaplan**, San Diego, all of Calif.

[73] Assignee: **Hewlett-Packard Company**, Palo Alto, Calif.

[**] Term: **14 Years**

[21] Appl. No.: **29/102,659**

[22] Filed: **Mar. 29, 1999**

[51] **LOC (7) Cl.** **16-03**

[52] **U.S. Cl.** **D18/36; D14/420; D18/55**

[58] **Field of Search** D18/36-39, 54, D18/55; 399/1, 130, 151; 355/19, 128; D14/420, 421, 422, 424, 425

[56] **References Cited**

U.S. PATENT DOCUMENTS

- D. 313,038 12/1990 Hara et al. D18/36
- D. 328,094 7/1992 Shimizu et al. D18/36

- D. 331,069 11/1992 Hanasaki et al. D18/55
- D. 333,149 2/1993 Kasno D18/36 X
- D. 334,768 4/1993 Katada et al. D18/36
- D. 338,031 8/1993 Katada et al. D18/36
- D. 354,511 1/1995 Agata et al. D18/36
- D. 382,582 8/1997 Igarashi et al. D18/55
- D. 386,519 11/1997 Meschter et al. D18/55
- D. 398,632 9/1998 Dodge et al. D18/36
- D. 421,045 2/2000 Quijano D18/55

Primary Examiner—Caron D. Veynar

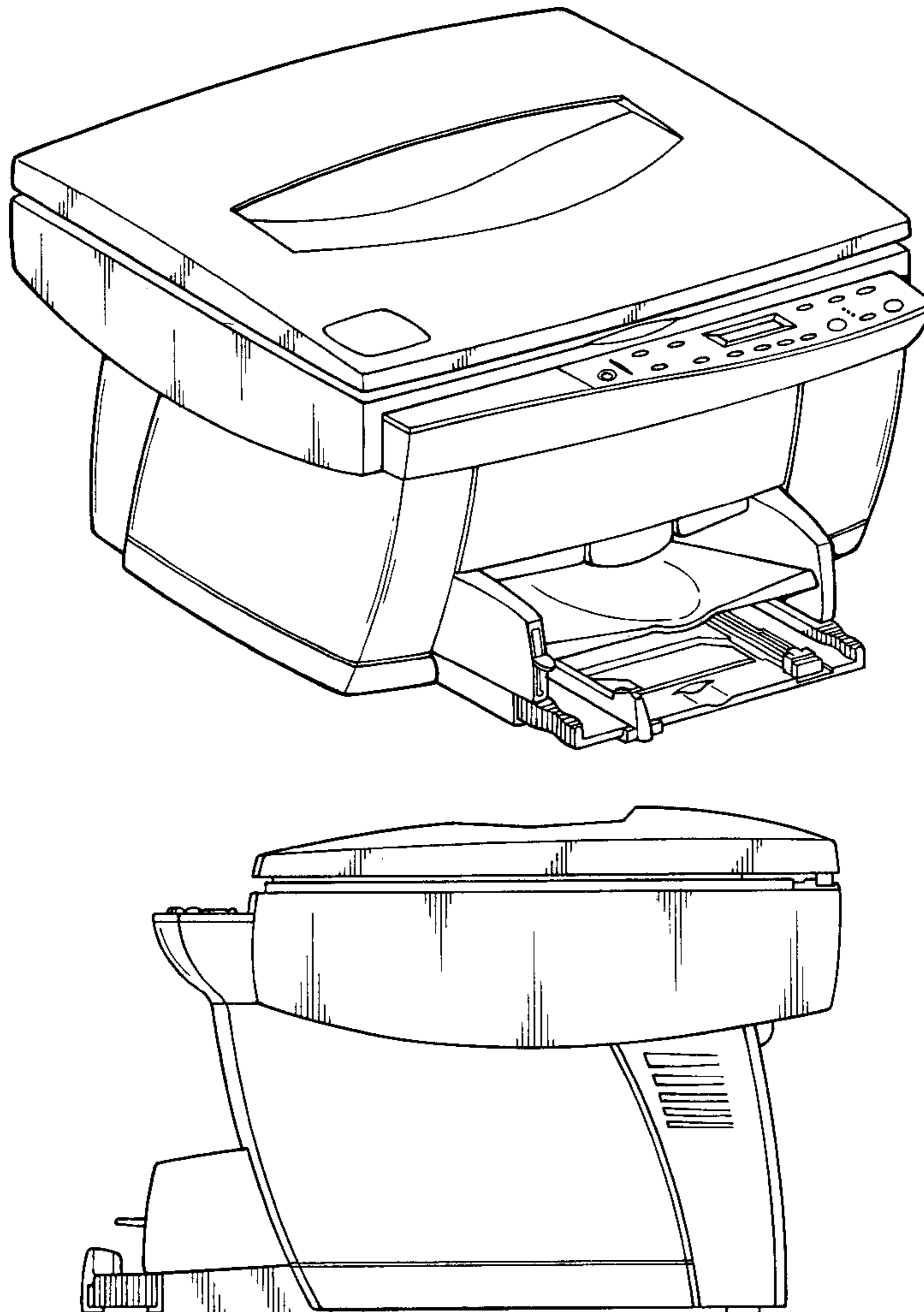
[57] **CLAIM**

The ornamental design for a combined printer, copier and scanner, as shown.

DESCRIPTION

FIG. 1 is a front perspective view of a combined printer, copier and scanner showing our new design;
 FIG. 2 is a bottom plan view thereof;
 FIG. 3 is a top plan view thereof;
 FIG. 4 is a front elevational view thereof;
 FIG. 5 is a rear elevational view thereof;
 FIG. 6 is a right side elevational view thereof; and,
 FIG. 7 is a left side elevational view thereof.

1 Claim, 3 Drawing Sheets



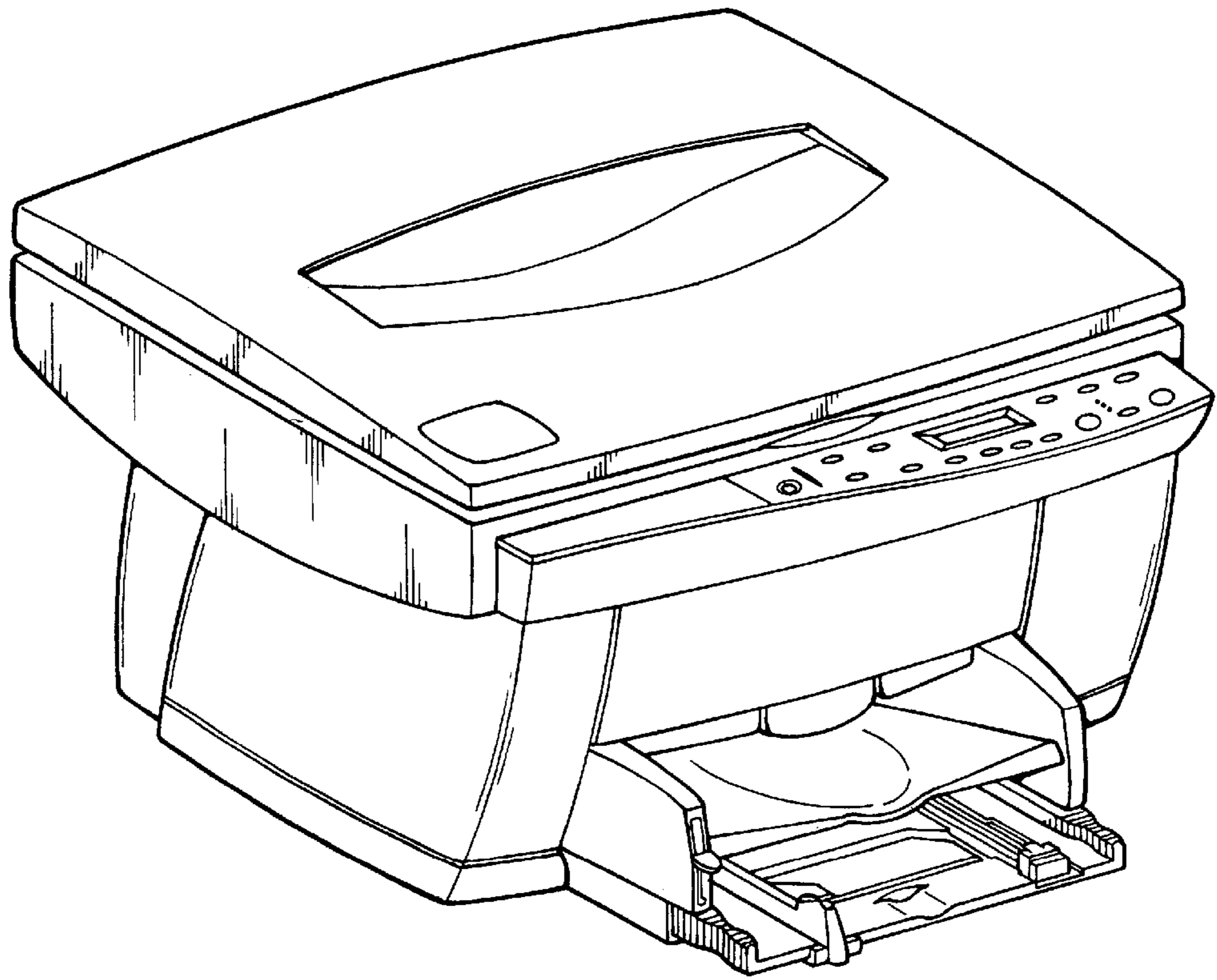


FIG. 1

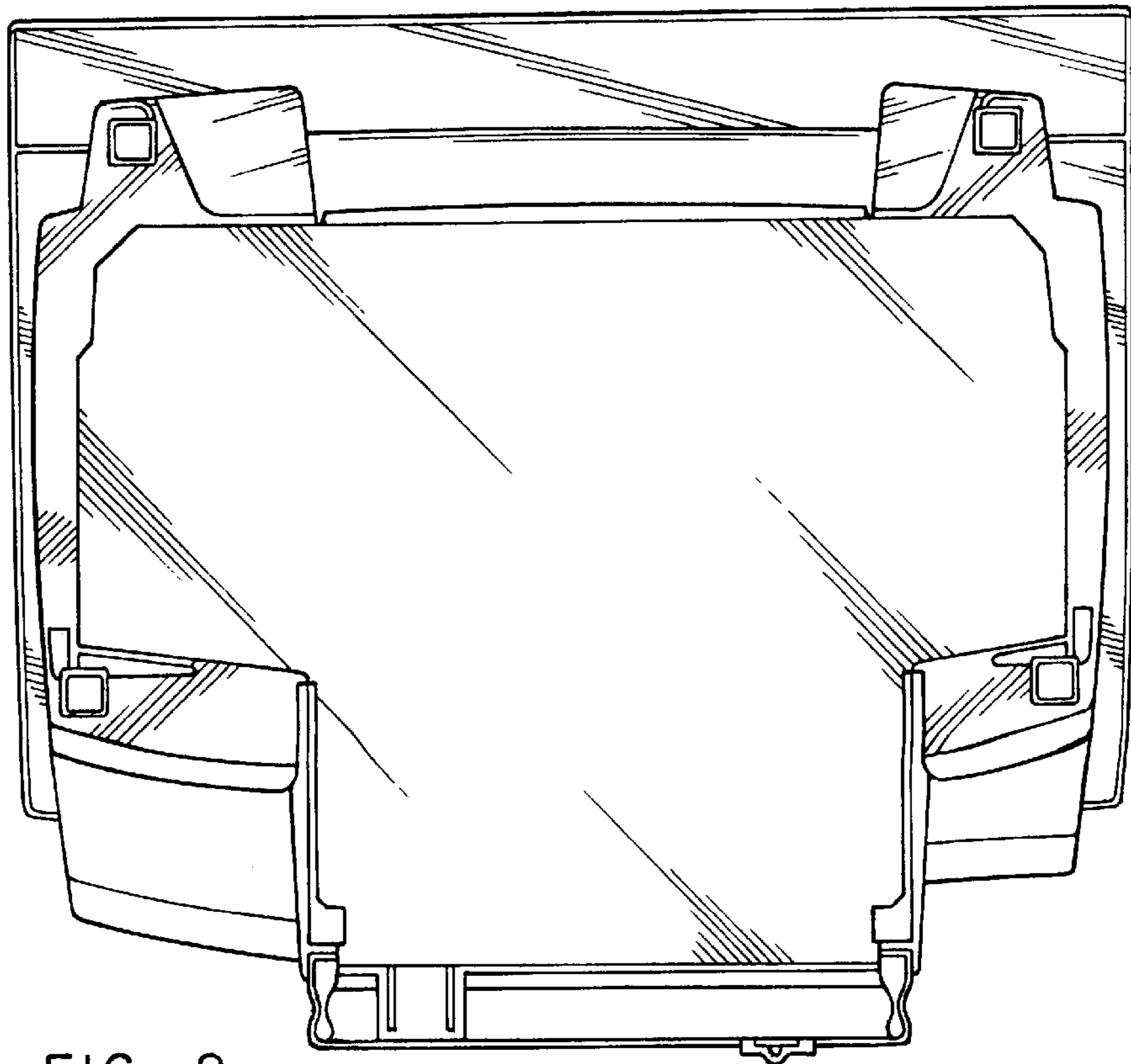


FIG. 2

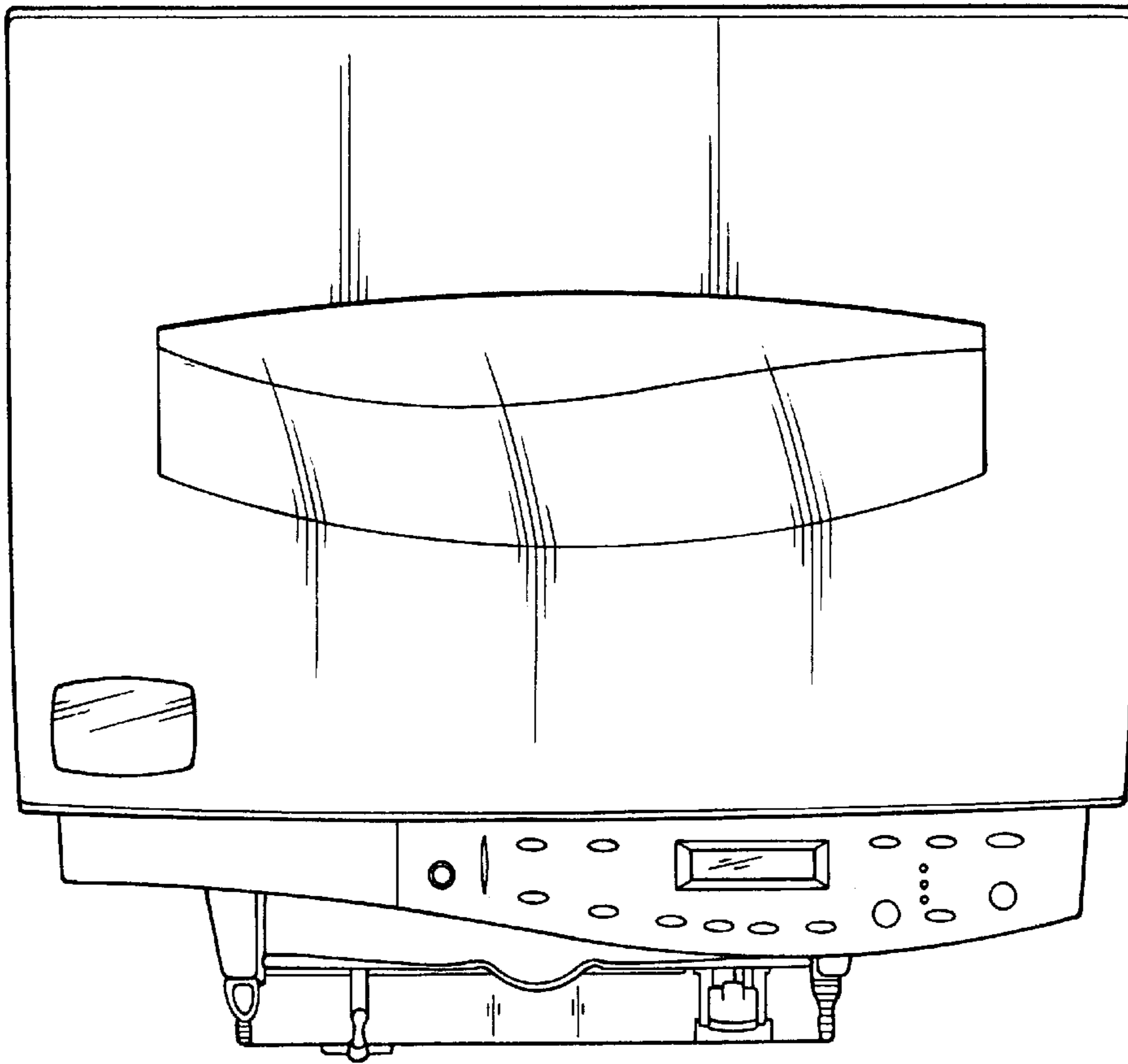


FIG. 3

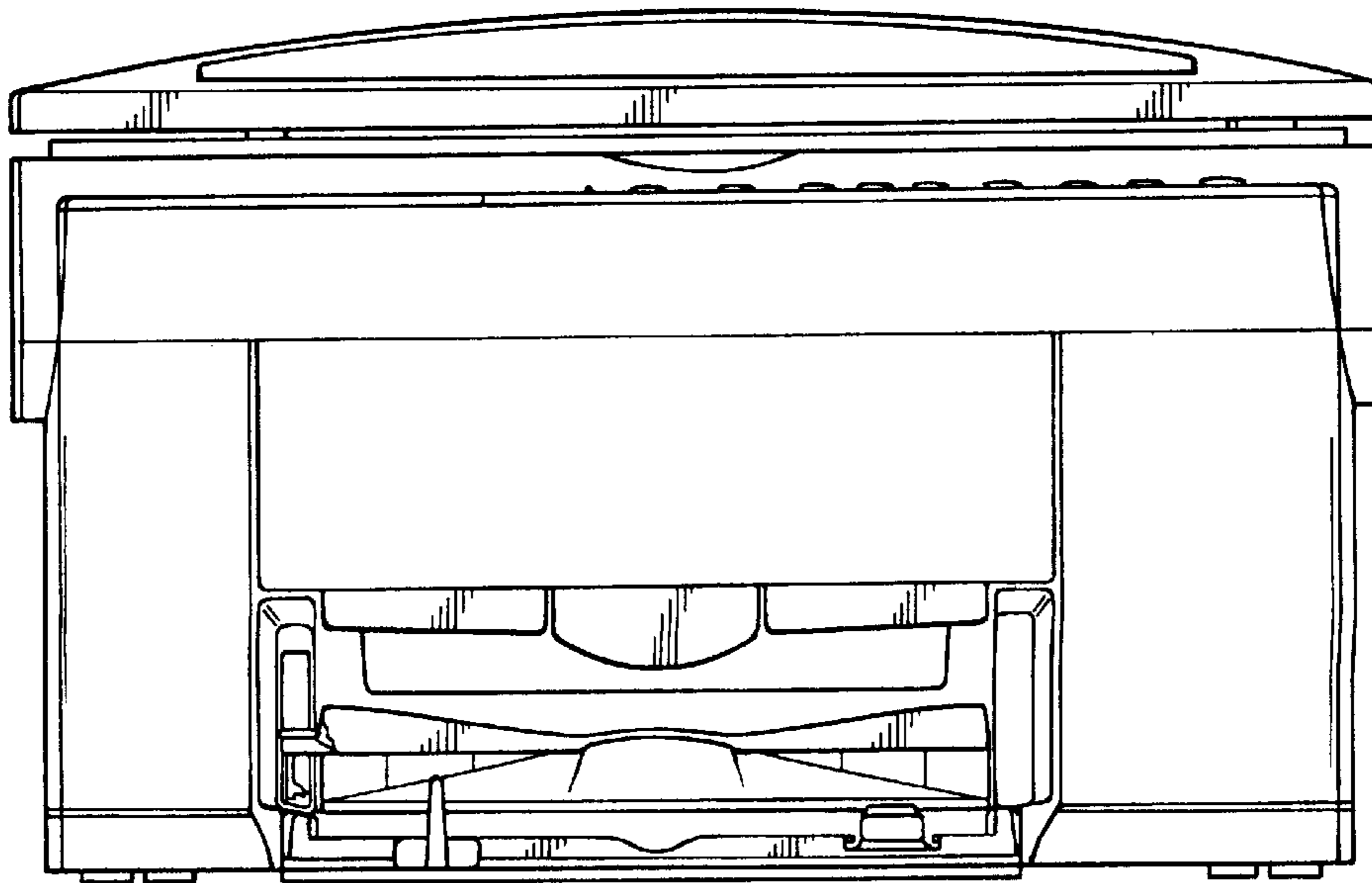


FIG. 4

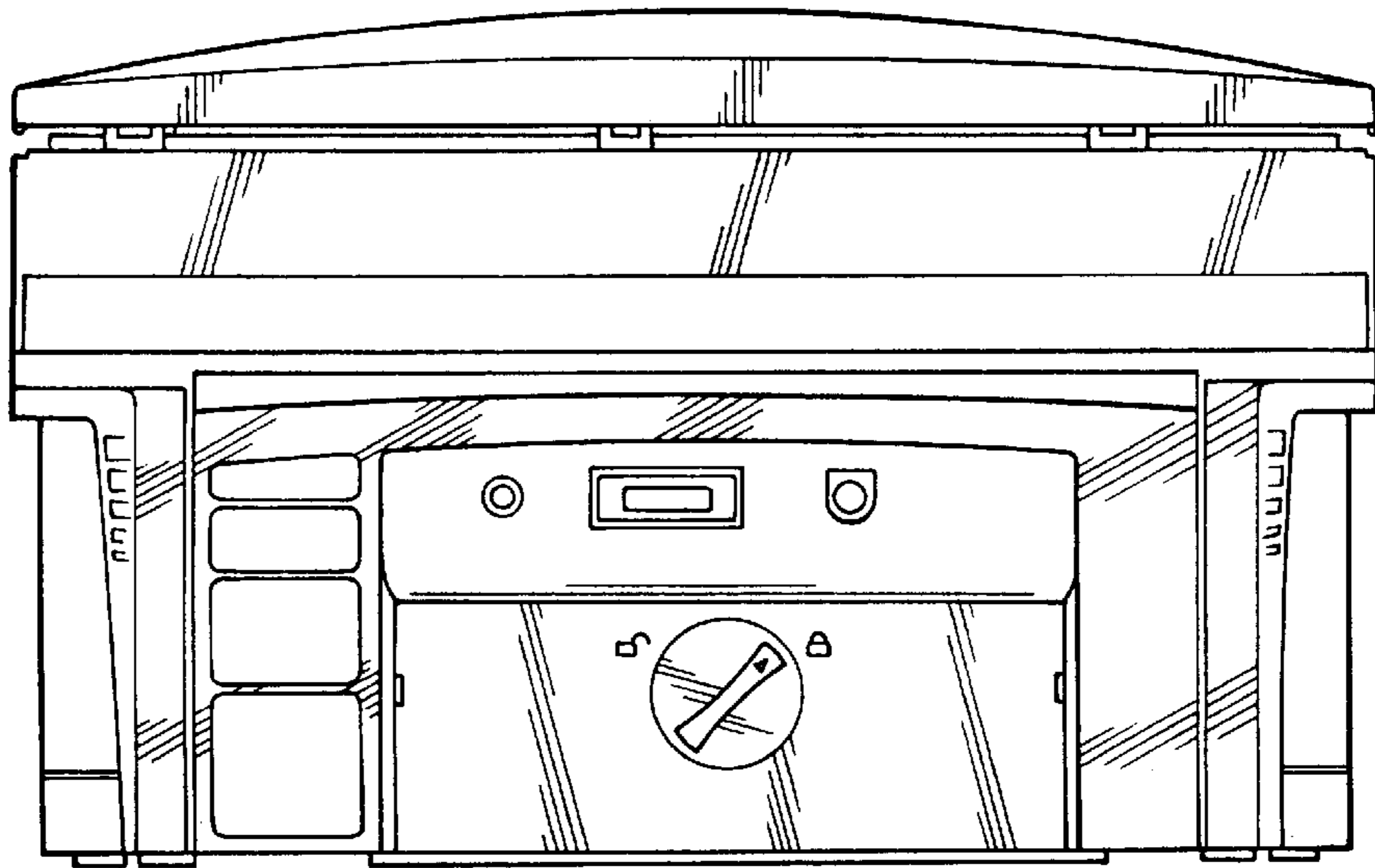


FIG. 5

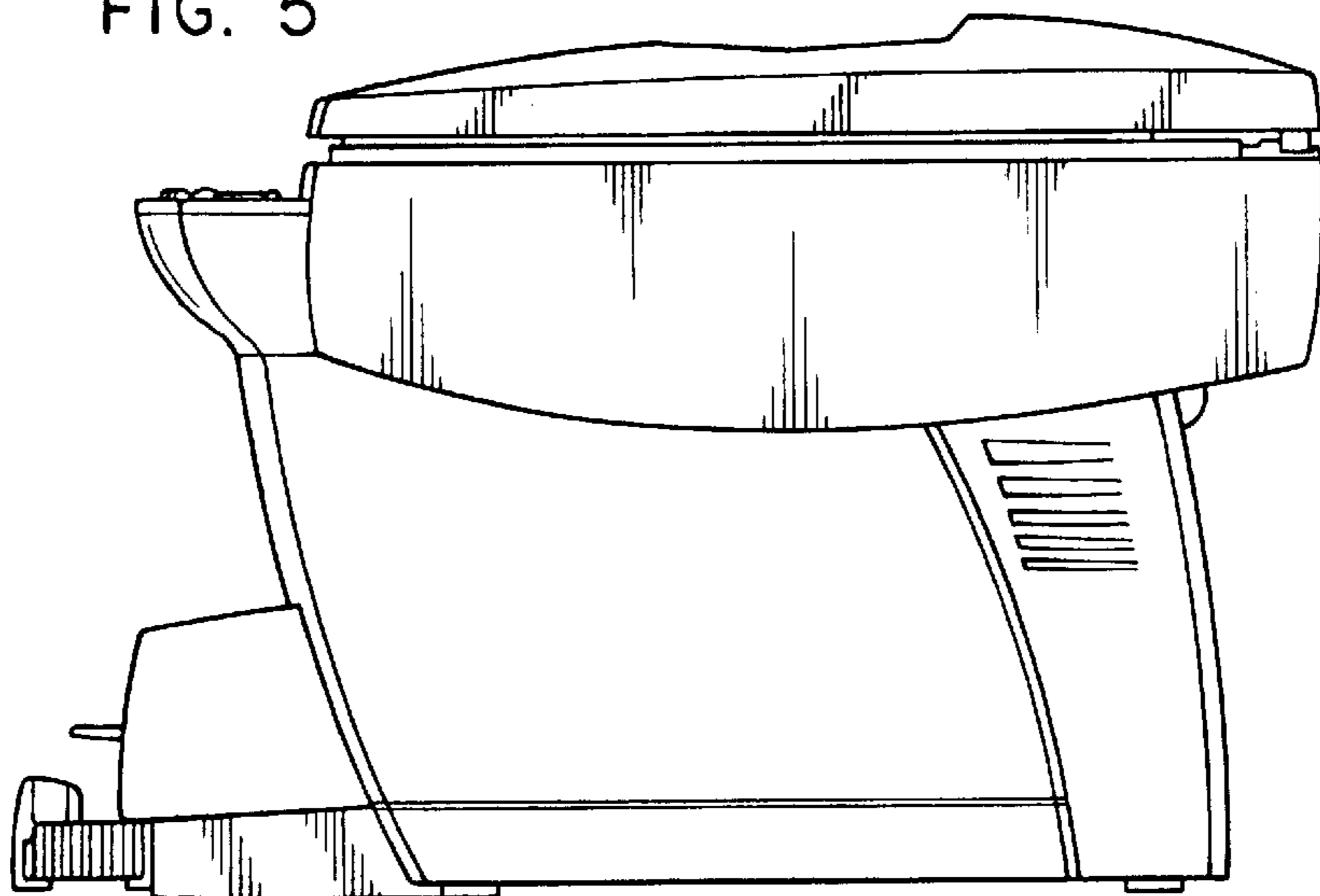


FIG. 6

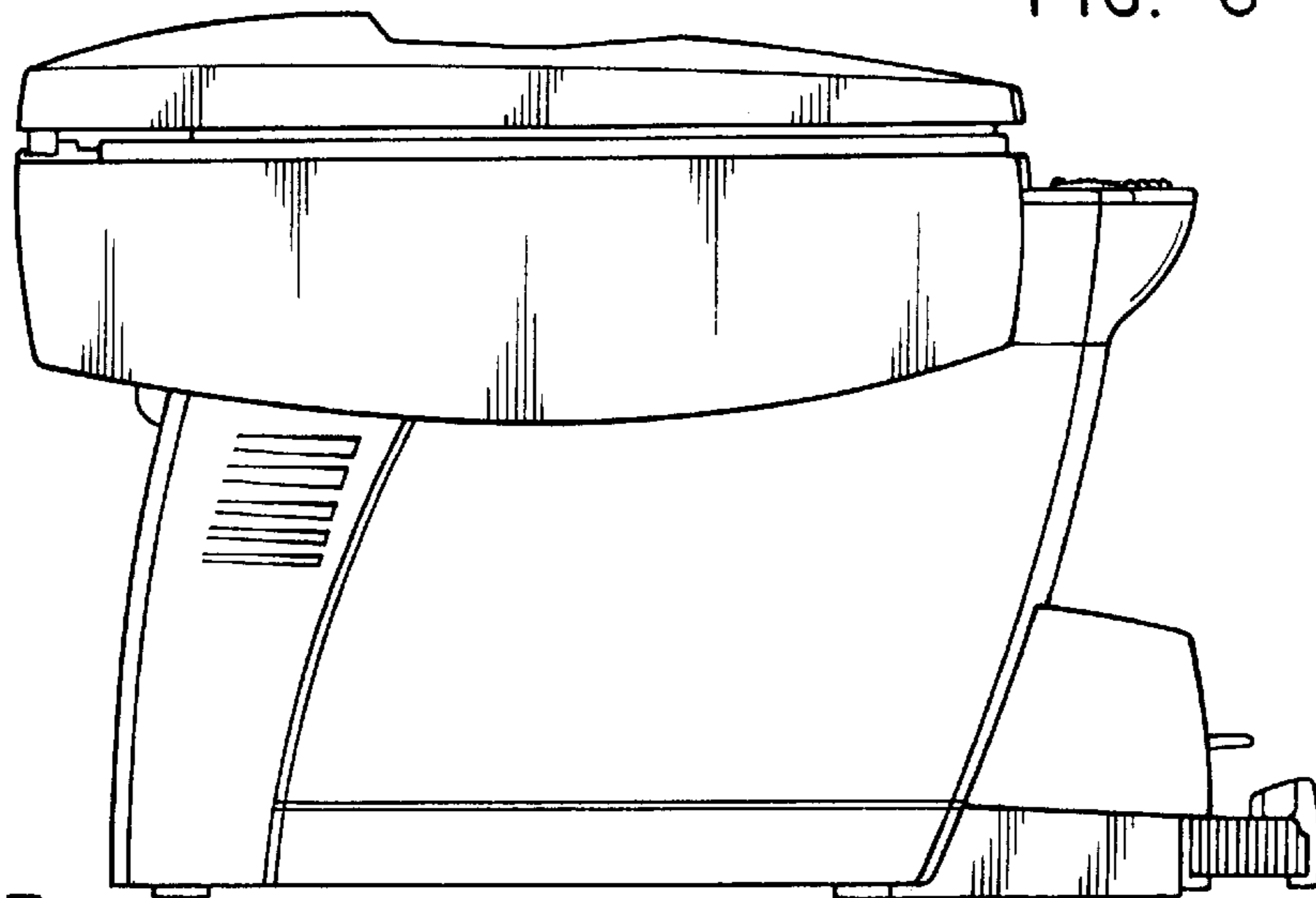


FIG. 7