



US00D434065S

United States Patent [19]
Morse

[11] **Patent Number: Des. 434,065**

[45] **Date of Patent: ** Nov. 21, 2000**

[54] **GUITAR SLIDE**

5,981,856 11/1999 Story 84/319

[76] Inventor: **Mark Morse**, 635 W. Garland,
Spokane, Wash. 99205

Primary Examiner—Adir Aronovich
Attorney, Agent, or Firm—David S. Thompson

[**] Term: **14 Years**

[57] **CLAIM**

[21] Appl. No.: **29/112,067**

The ornamental design for a guitar slide, as shown and described.

[22] Filed: **Oct. 12, 1999**

DESCRIPTION

[51] **LOC (7) Cl.** **17-03**

[52] **U.S. Cl.** **D17/20**

[58] **Field of Search** D17/14, 20, 99;
84/315, 318, 319, 453

FIG. 1 is an orthographic view of the bottom of the guitar slide.

FIG. 2 is an orthographic view of the rear end of the guitar slide.

FIG. 3 is an orthographic view of the top of the guitar slide.

FIG. 4 is an orthographic view of the side of the guitar slide.

FIG. 5 is a cross-sectional view taken along the lines 5—5 in FIG. 4;

FIG. 6 is an isometric view of the side, bottom and rear end of the guitar slide; and,

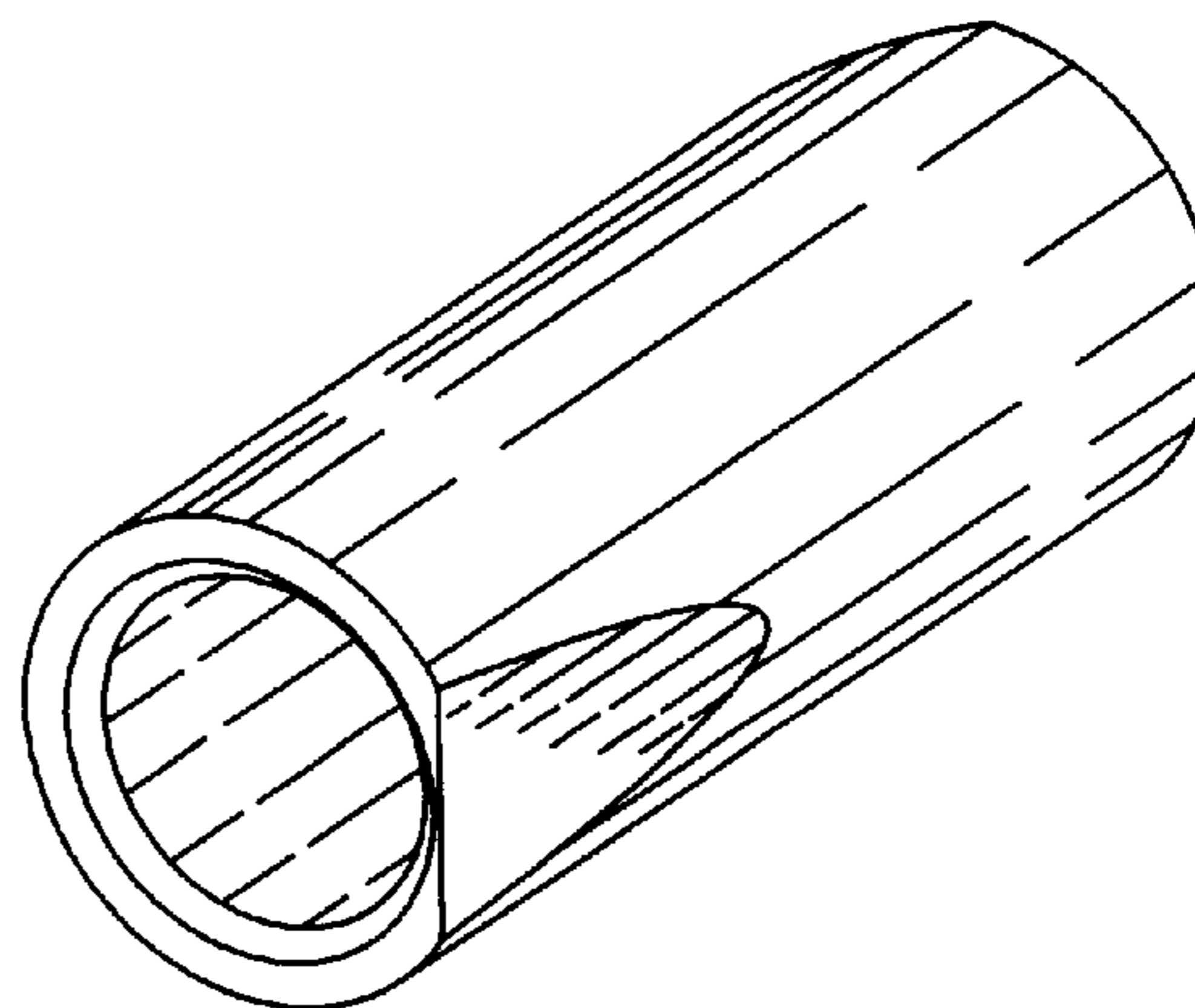
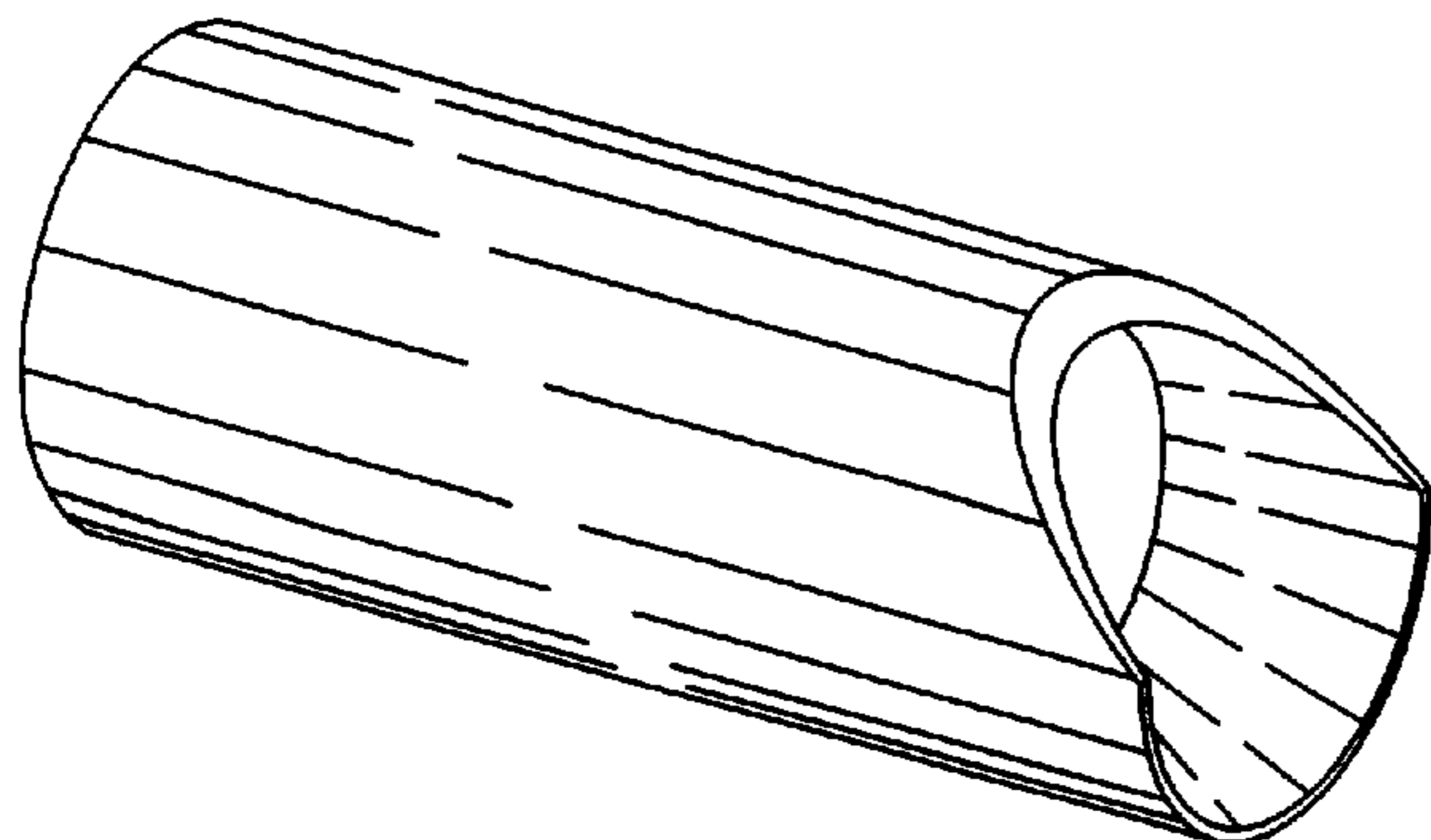
FIG. 7 is an isometric view of the side, top and front end of the guitar slide.

[56] **References Cited**

U.S. PATENT DOCUMENTS

D. 324,532	3/1992	Pearse	D17/20
3,638,525	2/1972	Sciurba	84/319
3,741,065	6/1973	Harris	84/319
4,817,488	4/1989	Santos	84/319
5,251,527	10/1993	Roberts	84/319
5,458,036	10/1995	Monaco	84/319
5,515,762	5/1996	Perkins et al.	84/315

1 Claim, 1 Drawing Sheet



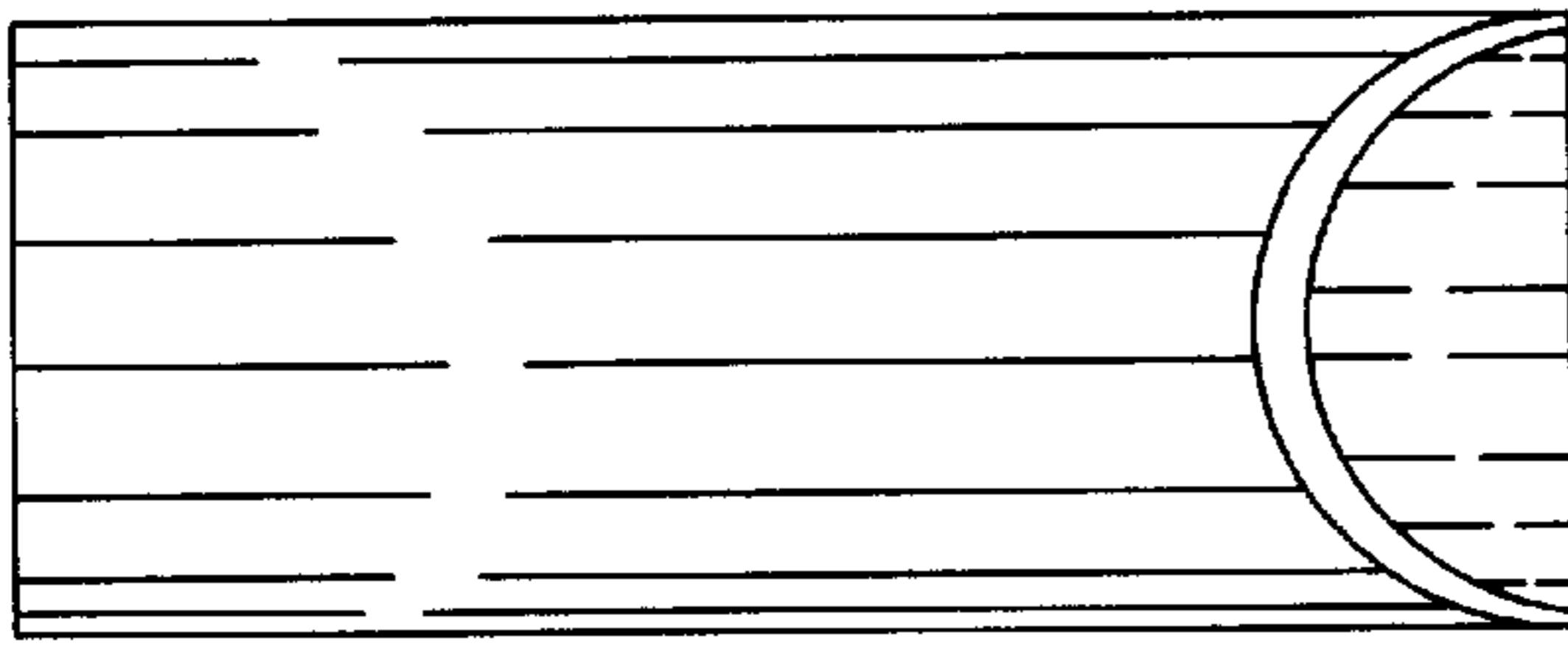


FIG. 1

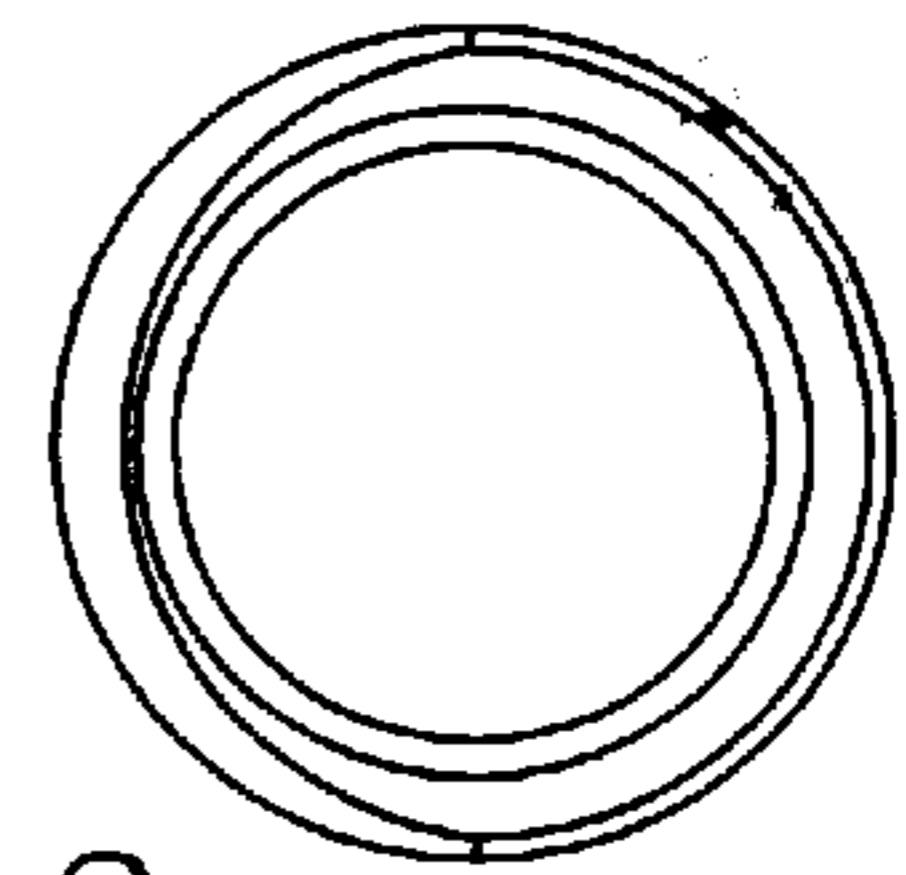


FIG. 2

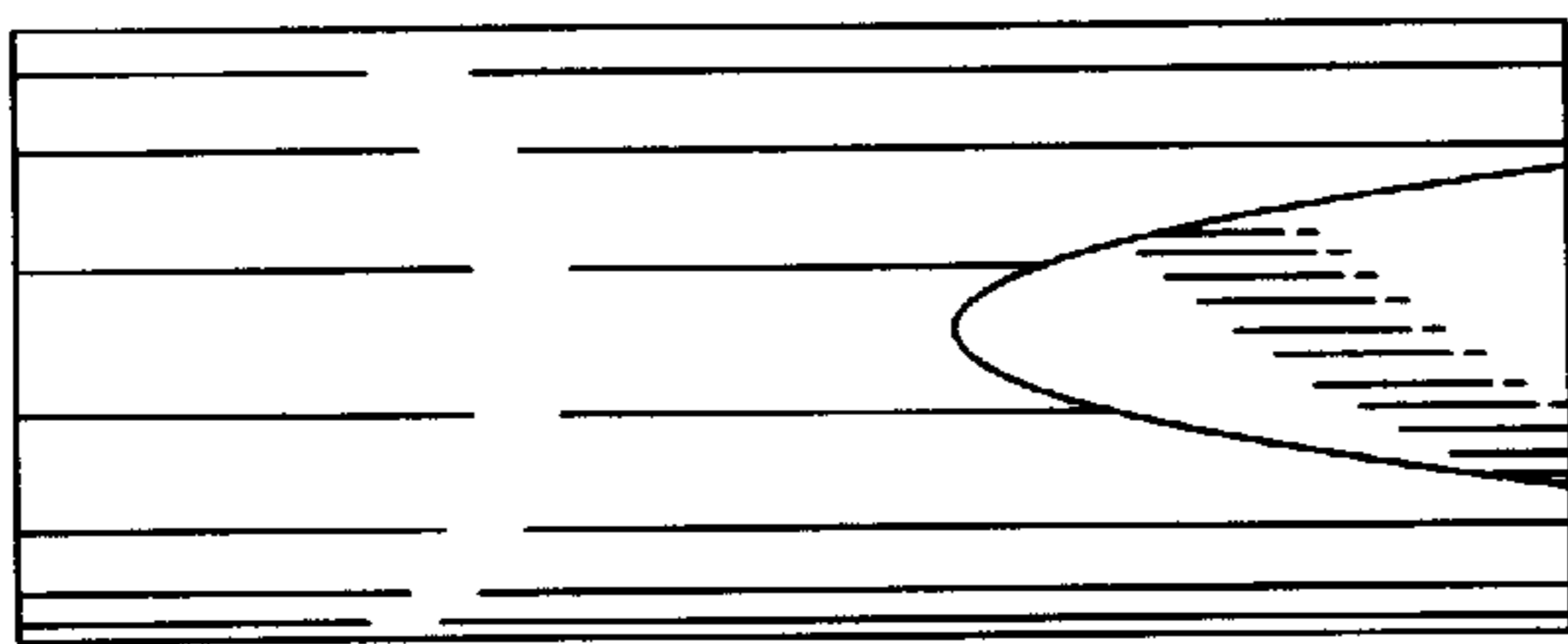


FIG. 3

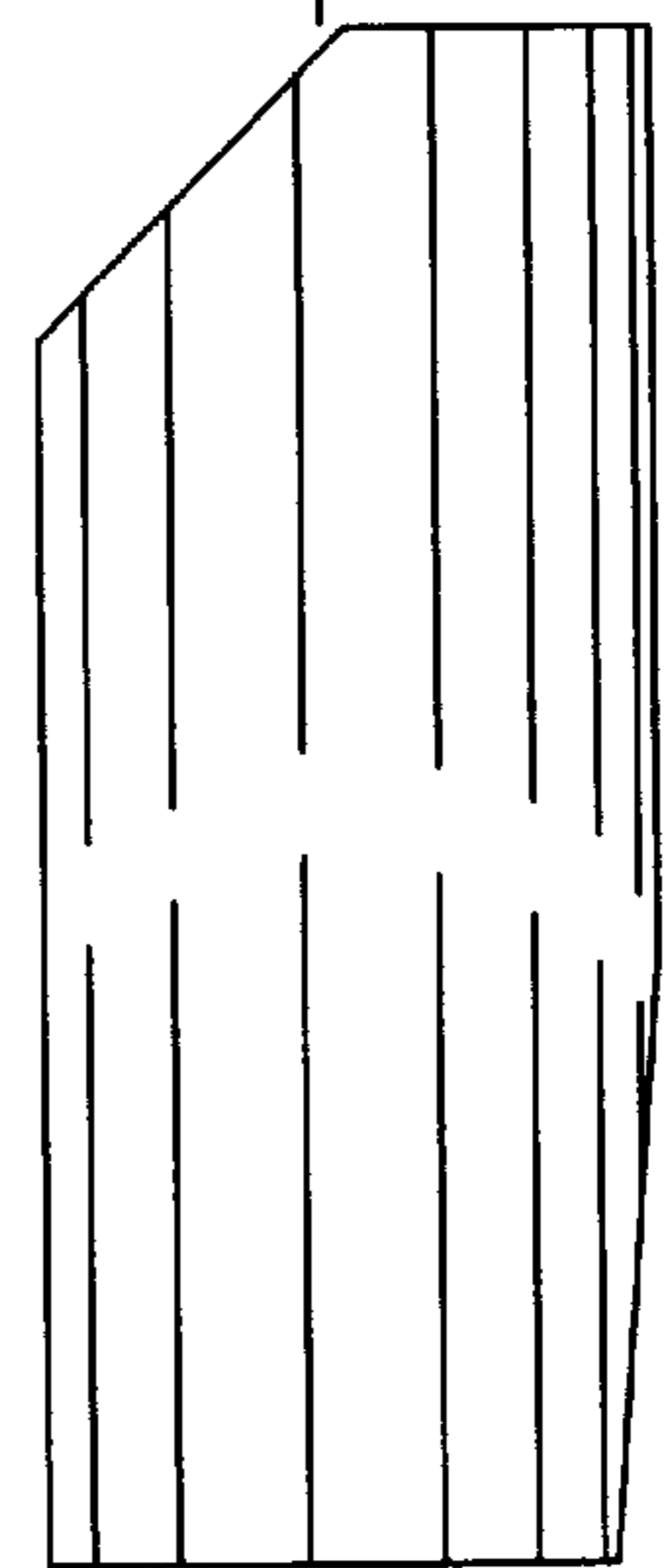
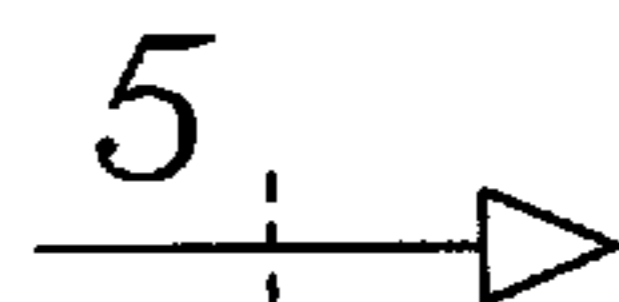


FIG. 4

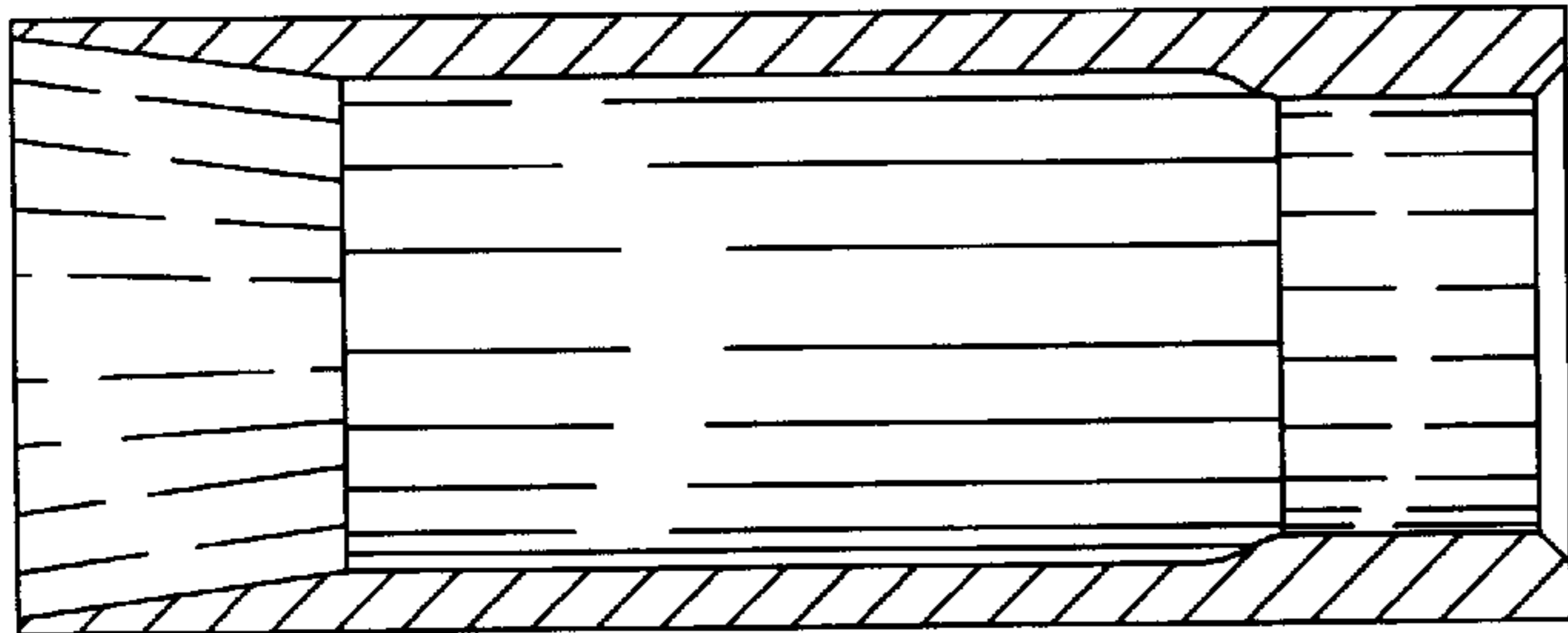
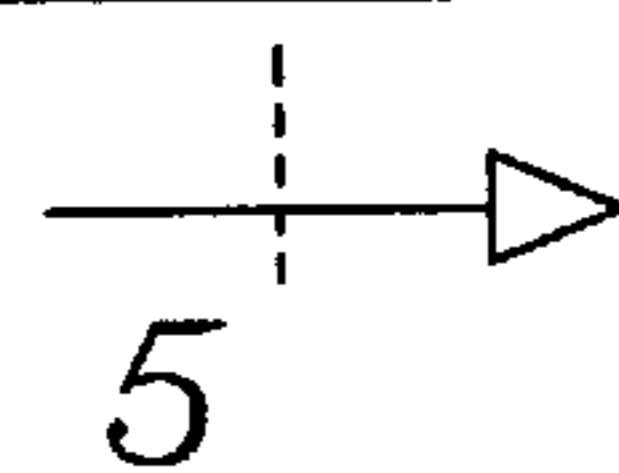


FIG. 5

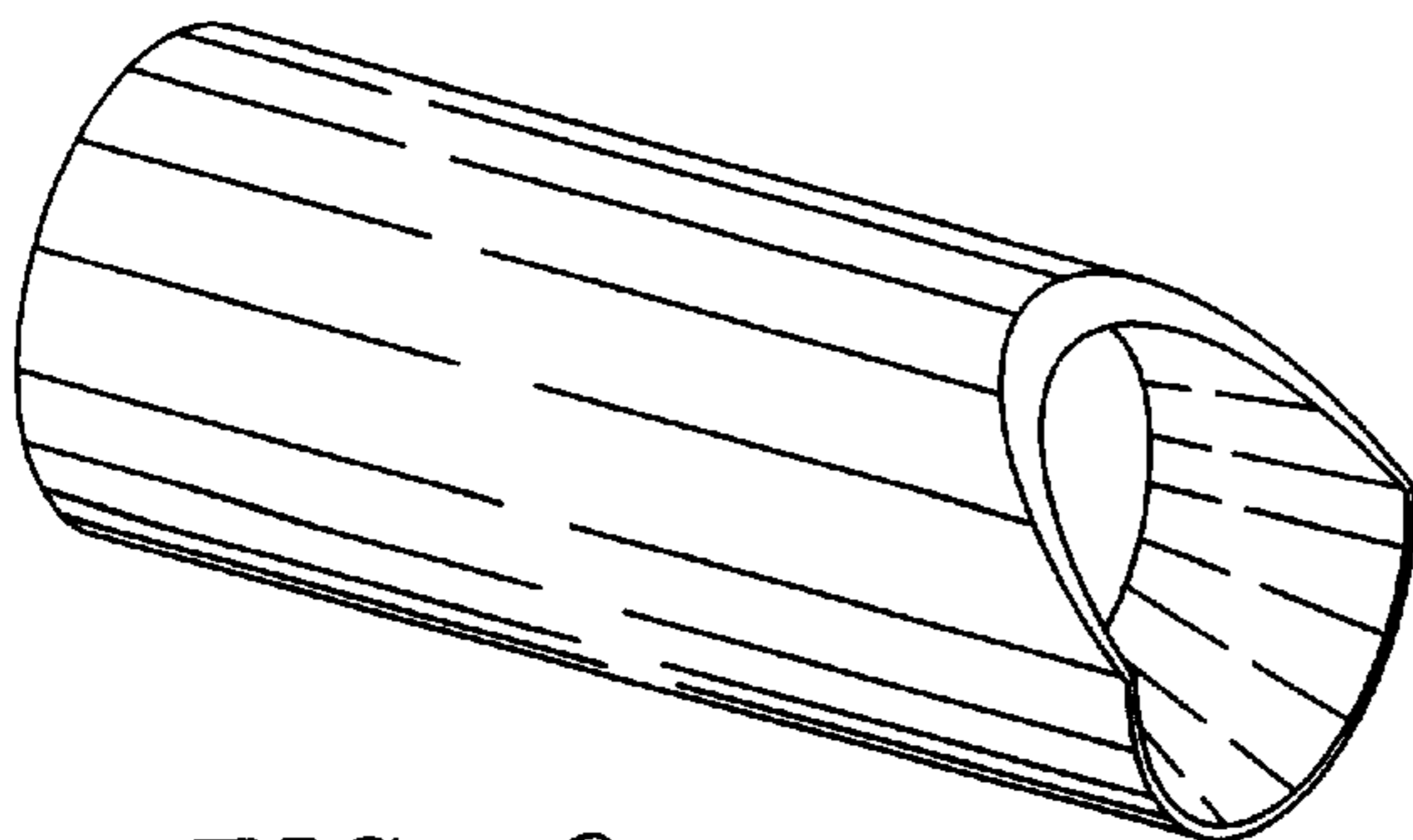


FIG. 6

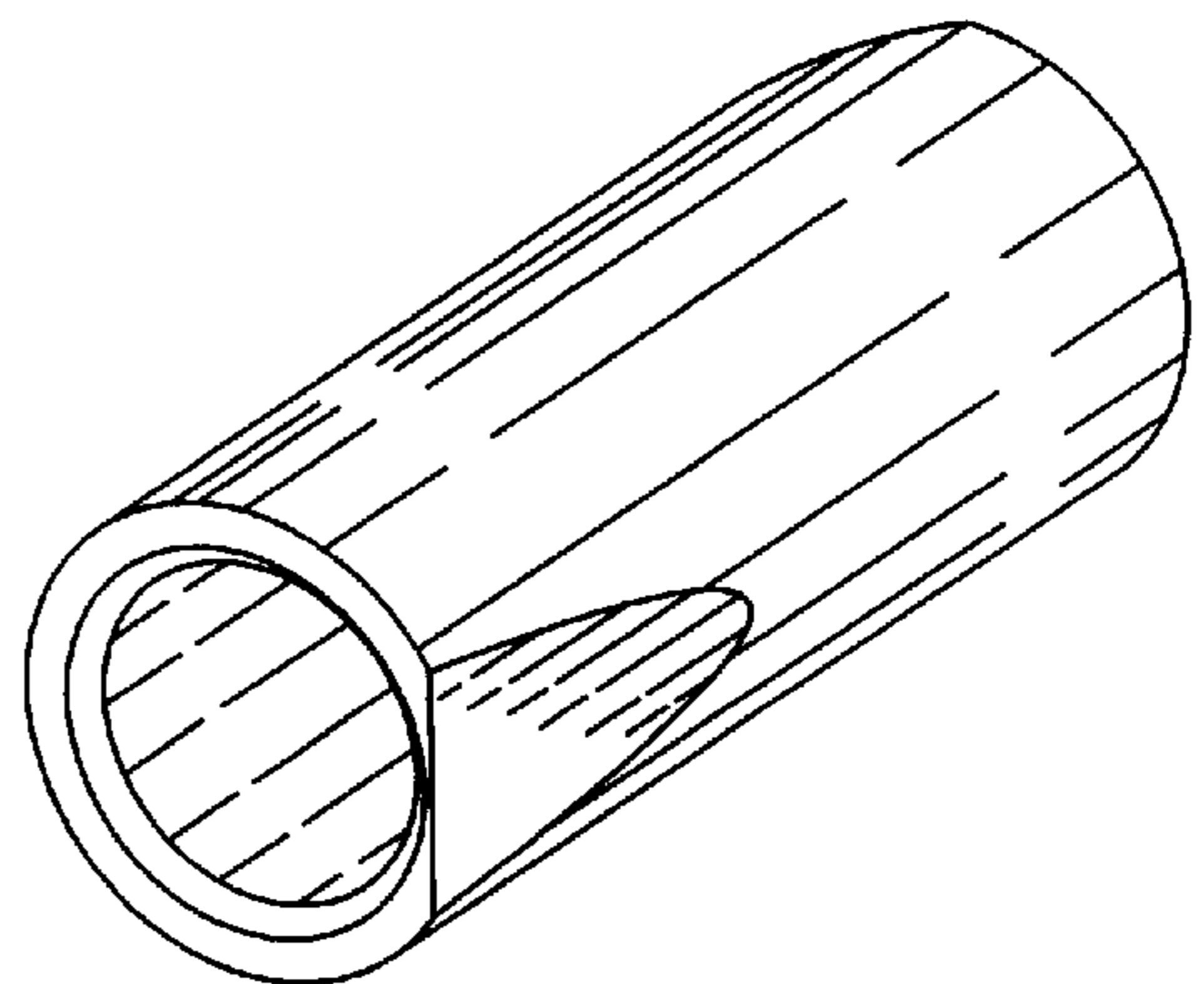


FIG. 7