



US00D434064S

United States Patent [19] Lane

[11] **Patent Number: Des. 434,064**

[45] **Date of Patent: ** Nov. 21, 2000**

[54] **EYEGLASSES**

[75] **Inventor: Henry Welling Lane, San Luis Obispo, Calif.**

[73] **Assignee: Dioptics Medical Products, Inc., San Luis Obispo, Calif.**

[**] **Term: 14 Years**

[21] **Appl. No.: 29/118,788**

[22] **Filed: Feb. 15, 2000**

Related U.S. Application Data

[62] Division of application No. 29/102,185, Mar. 17, 1999, abandoned.

[51] **LOC (7) Cl. 16-06**

[52] **U.S. Cl. D16/330; D16/315**

[58] **Field of Search D16/101, 300-330, D16/335; D29/109, 110; 351/41, 44, 51, 52, 103, 109, 111, 158; 2/447, 448**

[56] References Cited

U.S. PATENT DOCUMENTS

- D. 104,320 4/1937 Bouchard .
- D. 112,976 1/1939 Brunetti .
- D. 112,989 1/1939 Diodati .
- D. 191,229 8/1961 Boxer D57/1
- D. 195,311 5/1963 McNeill D57/1
- D. 201,920 8/1965 McCulloch D57/1
- D. 204,163 3/1966 Mitchell D57/1
- D. 204,320 4/1966 Carmichael D57/1
- D. 204,498 4/1966 Mitchell D57/1
- D. 204,816 5/1966 Boxer D57/1
- D. 205,246 7/1966 Mitchell D57/1
- D. 210,423 3/1968 Mitchell D57/1
- D. 212,198 9/1968 Bloch D57/1
- D. 220,291 3/1971 Bloch D57/1
- D. 235,164 5/1975 Shindler D57/1 A
- D. 270,165 8/1983 Burns D16/117
- D. 274,437 6/1984 Dianitsch D16/110
- D. 284,769 7/1986 MacWilliamson D16/118
- D. 285,020 8/1986 Schmidthaler D2/234

- D. 293,328 12/1987 Murphy et al. D14/102
- D. 293,450 12/1987 Jannard D16/102
- D. 294,833 3/1988 Holden D16/112
- D. 295,286 4/1988 Takeuchi D16/110

(List continued on next page.)

FOREIGN PATENT DOCUMENTS

- 124450 8/1995 Australia .
- 127863 9/1996 Australia .
- 1185637 8/1959 France .

OTHER PUBLICATIONS

Solarshields Advertisement in Parade Magazine, Washington Post, May 10, 1992.

Bollé Polarisant Collection, 1993 Catalog.

Fisherman Eyewear, 1996 Catalog.

Fisherman Eyewear, 1997 Catalog.

Costa Del Mar, 1997 Catalog.

Hobie Polarized Sunglasses, 1997 Catalog.

Ocean Waves Advertisement, no date.

USA Sport Advertisement for Adjustable Deluxe Series, no date.

Primary Examiner—Raphael Barkai

Attorney, Agent, or Firm—Haverstock & Owens LLP

[57] CLAIM

I claim the ornamental design for eyeglasses, as shown and described.

DESCRIPTION

FIG. 1 is a top perspective view of eyeglasses showing my new design;

FIG. 2 is a bottom perspective view thereof;

FIG. 3 is front elevational view thereof;

FIG. 4 is a rear elevational view thereof;

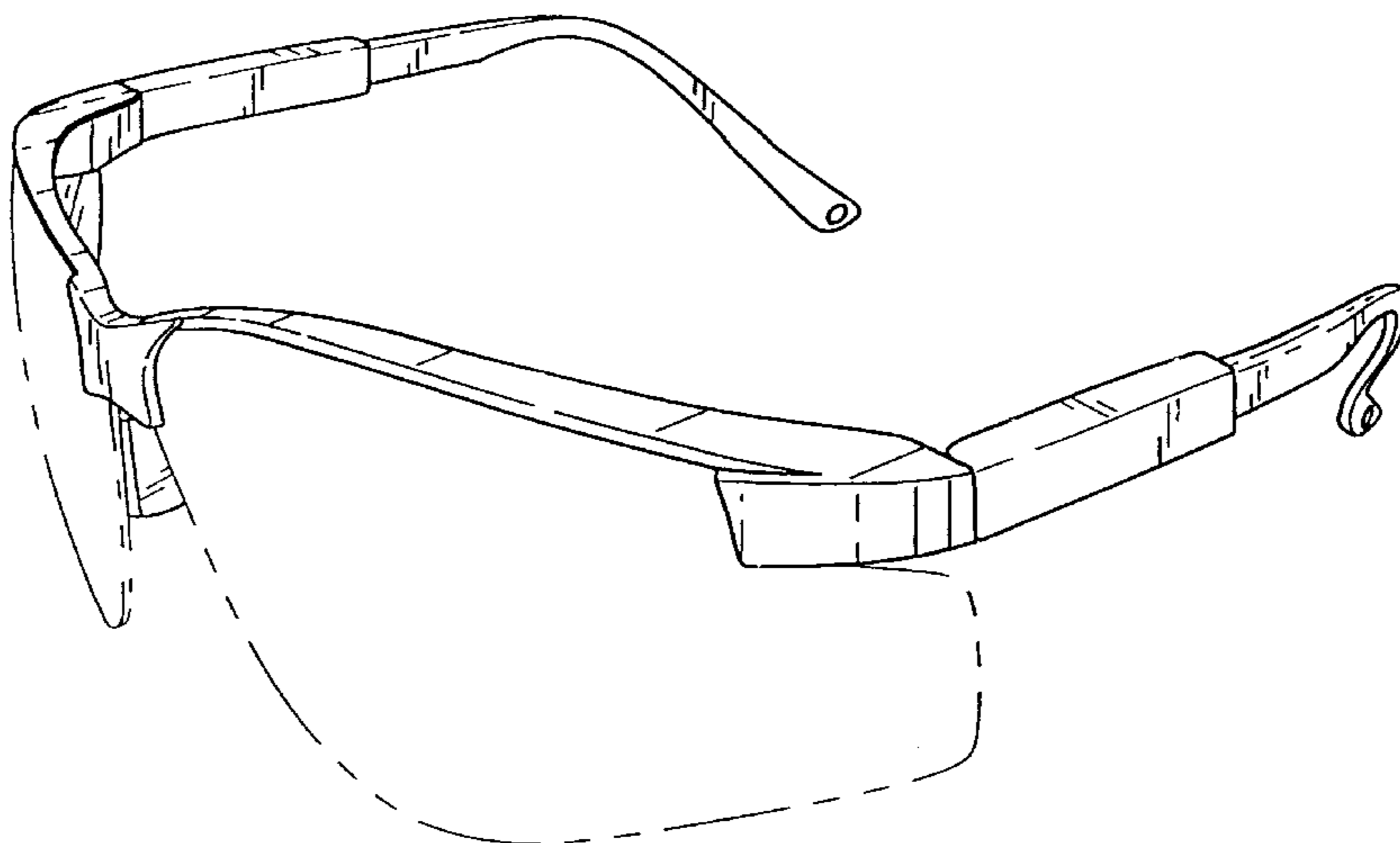
FIG. 5 is a right side elevational view thereof, the left side being a mirror image of the right side;

FIG. 6 is a top view thereof; and,

FIG. 7 is a bottom view thereof.

The broken line shown in FIGS. 1-7 is for illustrative purposes only and forms no part of the claimed design.

1 Claim, 4 Drawing Sheets



| U.S. PATENT DOCUMENTS | | | |
|-----------------------|---------|----------------|-------------------------------------|
| | | 3,233,249 | 2/1966 Baratelli et al. 2/14 |
| | | 3,395,406 | 8/1968 Smith 2/14 |
| | | 3,675,991 | 7/1972 Brenn 351/41 |
| | | 3,901,589 | 8/1975 Bienenfeld 351/47 |
| | | 3,932,031 | 1/1976 Johnston 351/47 |
| | | 4,217,037 | 8/1980 Lemelson 351/44 |
| | | 4,298,991 | 11/1981 Recenello 2/13 |
| | | 4,582,401 | 4/1986 Grindle 351/45 |
| | | 4,670,914 | 6/1987 Harris 2/436 |
| | | 4,701,962 | 10/1987 Simon 2/15 |
| | | 4,726,075 | 2/1988 Hinrichs 2/13 |
| | | 4,741,611 | 5/1988 Burns 351/44 |
| | | 4,751,746 | 6/1988 Rustin 2/13 |
| | | 4,797,956 | 1/1989 Boyce 2/431 |
| | | 4,810,080 | 3/1989 Grendol et al. 351/41 |
| | | 4,877,320 | 10/1989 Holden 351/44 |
| | | 4,955,708 | 9/1990 Kahaney 351/44 |
| | | 4,976,530 | 12/1990 Mackay et al. 351/44 |
| | | 5,000,558 | 3/1991 Blackstone 351/41 |
| | | 5,146,623 | 9/1992 Paysan et al. 2/12 |
| | | 5,164,749 | 11/1992 Shelton 351/47 |
| | | 5,218,385 | 6/1993 Lii 351/158 |
| | | 5,220,689 | 6/1993 Miller 2/12 |
| | | 5,264,875 | 11/1993 Cooper 351/44 |
| | | 5,300,963 | 4/1994 Tanaka 351/44 |
| | | 5,319,396 | 6/1994 Cesarczyk 351/62 |
| | | 5,321,443 | 6/1994 Huber et al. 351/47 |
| | | 5,357,292 | 10/1994 Wiedner 351/105 |
| | | 5,379,464 | 1/1995 Schleger et al. 2/431 |
| | | 5,388,269 | 2/1995 Griffin 2/13 |
| | | 5,394,567 | 3/1995 Vatterott 2/449 |
| | | 5,402,189 | 3/1995 Gill 351/44 |
| | | 5,422,684 | 6/1995 Keller 351/41 |
| | | 5,423,092 | 6/1995 Kawai 2/441 |
| | | 5,428,407 | 6/1995 Sheffield 351/58 |
| | | 5,438,706 | 8/1995 Lambur 2/13 |
| | | 5,463,428 | 10/1995 Lipton et al. 351/158 |
| | | 5,469,229 | 11/1995 Greenbaum 351/44 |
| | | 5,483,303 | 1/1996 Hirschman 351/118 |
| | | 5,488,438 | 1/1996 Cochran 351/45 |
| | | 5,502,515 | 3/1996 Sansalone 351/43 |
| | | 5,530,490 | 6/1996 Canavan 351/41 |
| | | 5,543,864 | 8/1996 Hirschman et al. 351/47 |
| | | 5,548,351 | 8/1996 Hirschman et al. 351/47 |
| | | 5,561,480 | 10/1996 Capes 351/45 |
| | | 5,598,230 | 1/1997 Quaresima 351/44 |
| | | 5,608,469 | 3/1997 Bollé 351/44 |
| | | 5,614,963 | 3/1997 Parker 351/47 |
| | | 5,619,750 | 4/1997 Allewalt 2/13 |
| | | 5,654,786 | 8/1997 Bylander 351/49 |
| D. 295,533 | 5/1988 | Wichers | D16/102 |
| D. 295,870 | 5/1988 | Laterre | D16/112 |
| D. 308,980 | 7/1990 | McGee | D16/112 |
| D. 313,236 | 12/1990 | Mackay | D16/102 |
| D. 317,771 | 6/1991 | Mackay | D16/102 |
| D. 323,335 | 1/1992 | Dalloz | D16/112 |
| D. 323,515 | 1/1992 | Arbez | D16/102 |
| D. 324,394 | 3/1992 | Jannard | D16/102 |
| D. 329,445 | 9/1992 | Jannard | D16/116 |
| D. 330,560 | 10/1992 | Dweck | D16/315 |
| D. 330,561 | 10/1992 | Wilson | D16/315 |
| D. 330,716 | 11/1992 | Jannard | D16/116 |
| D. 330,903 | 11/1992 | Jannard | D16/116 |
| D. 335,133 | 4/1993 | Langley | D16/102 |
| D. 335,135 | 4/1993 | Bolle | D16/112 |
| D. 339,596 | 9/1993 | Kopfer | D16/102 |
| D. 344,742 | 3/1994 | Jannard | D16/112 |
| D. 347,015 | 5/1994 | Saik | D16/112 |
| D. 354,972 | 1/1995 | Hirschman | D16/314 |
| D. 365,357 | 12/1995 | Jannard et al. | D16/335 |
| D. 365,837 | 1/1996 | Canavan | D16/325 |
| D. 366,056 | 1/1996 | Wolfe | D16/314 |
| D. 371,382 | 7/1996 | Berthet-Bondet | D16/326 |
| D. 371,384 | 7/1996 | Bonnemere | D16/330 |
| D. 374,025 | 9/1996 | Canavan | D16/330 |
| D. 376,613 | 12/1996 | Stepan et al. | D16/327 |
| D. 377,802 | 2/1997 | Leonardi | D16/313 |
| D. 379,633 | 6/1997 | Garneau | D16/315 |
| D. 380,003 | 6/1997 | Wiedner | D16/325 |
| D. 384,364 | 9/1997 | Yee | D16/330 |
| D. 385,897 | 11/1997 | Lin | D16/314 |
| D. 387,083 | 12/1997 | Stables | D16/321 |
| D. 388,453 | 12/1997 | Lin | D16/315 |
| D. 389,167 | 1/1998 | Bolle | D16/315 |
| D. 396,484 | 7/1998 | Stables | D16/326 |
| D. 397,132 | 8/1998 | Yee | D16/315 |
| D. 397,354 | 8/1998 | Kuo | D16/330 |
| D. 397,713 | 9/1998 | Brune et al. | D16/326 |
| D. 398,021 | 9/1998 | Bolle | D16/315 |
| D. 398,323 | 9/1998 | Bolle | D16/315 |
| D. 399,519 | 10/1998 | Yee | D16/314 |
| D. 401,607 | 11/1998 | Miniutti | D16/314 |
| D. 402,303 | 12/1998 | Simioni | D16/326 |
| D. 403,345 | 12/1998 | Flanagan | D16/327 |
| D. 404,054 | 1/1999 | Arnette et al. | D16/326 |
| D. 404,416 | 1/1999 | Wiedner | D16/315 |
| D. 415,186 | 10/1999 | Tabacchi | D16/315 |
| D. 421,449 | 3/2000 | Wolfe | D16/315 |
| 2,300,365 | 10/1942 | Wagner | 2/14 |

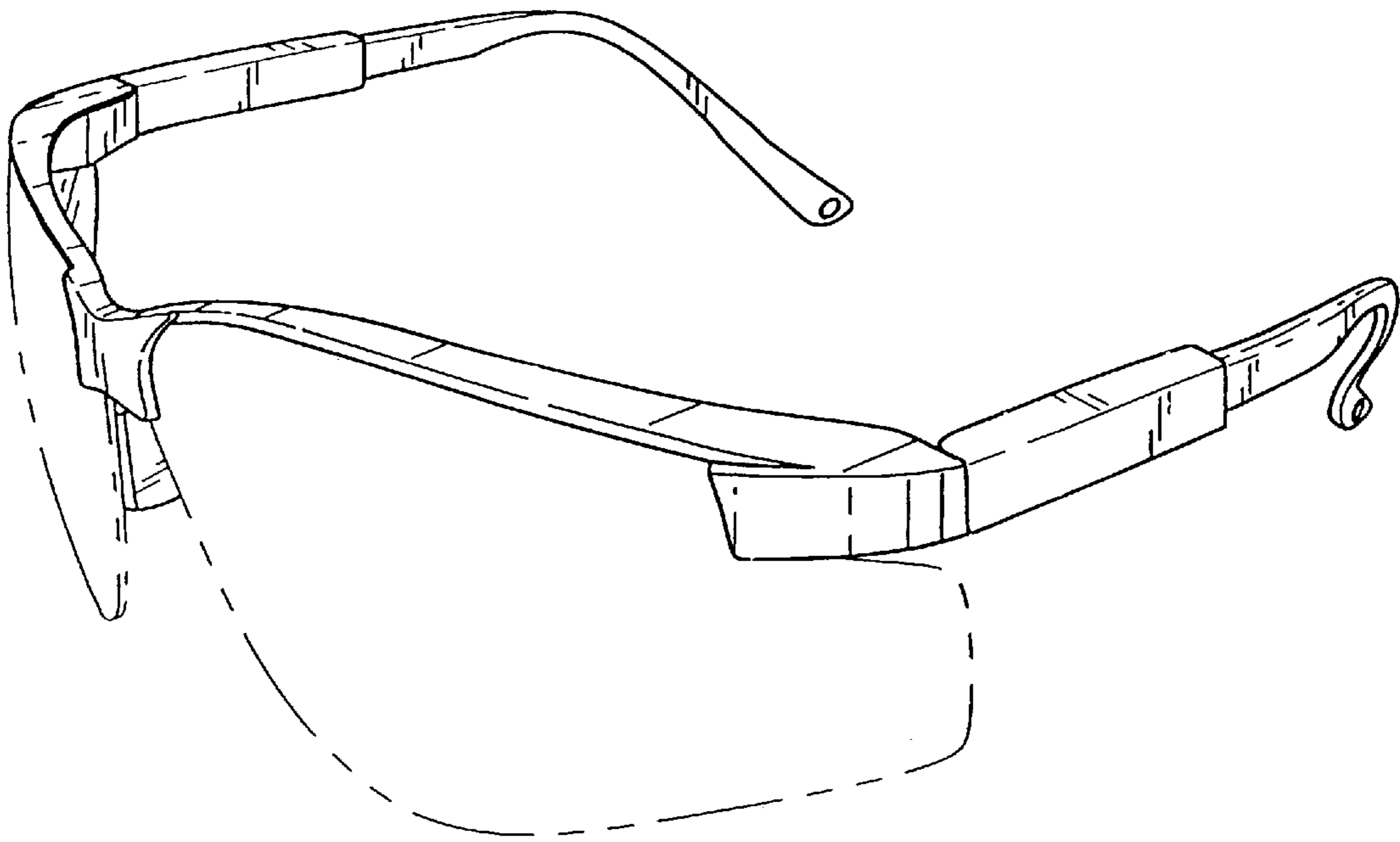


FIG. 1

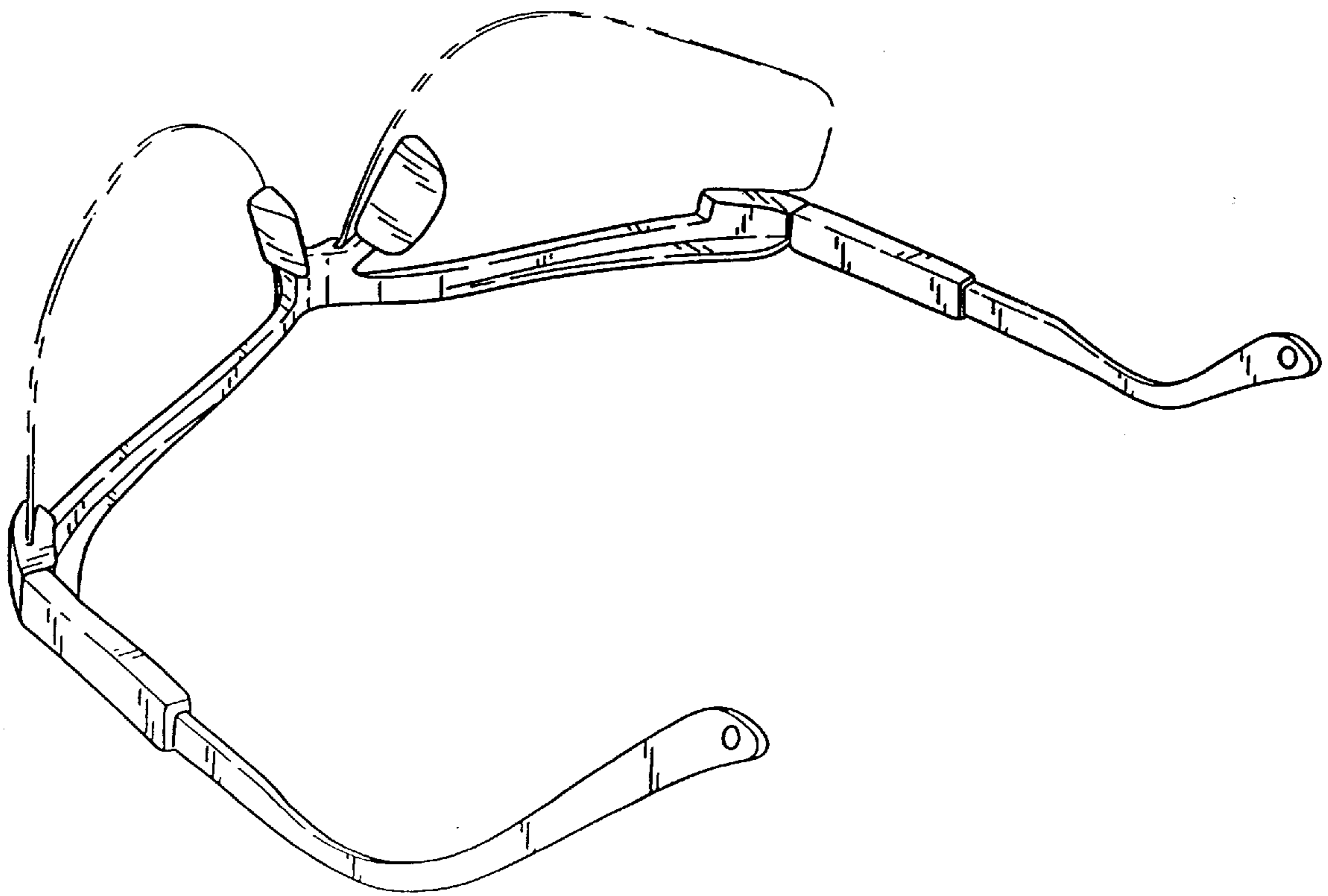


FIG. 2

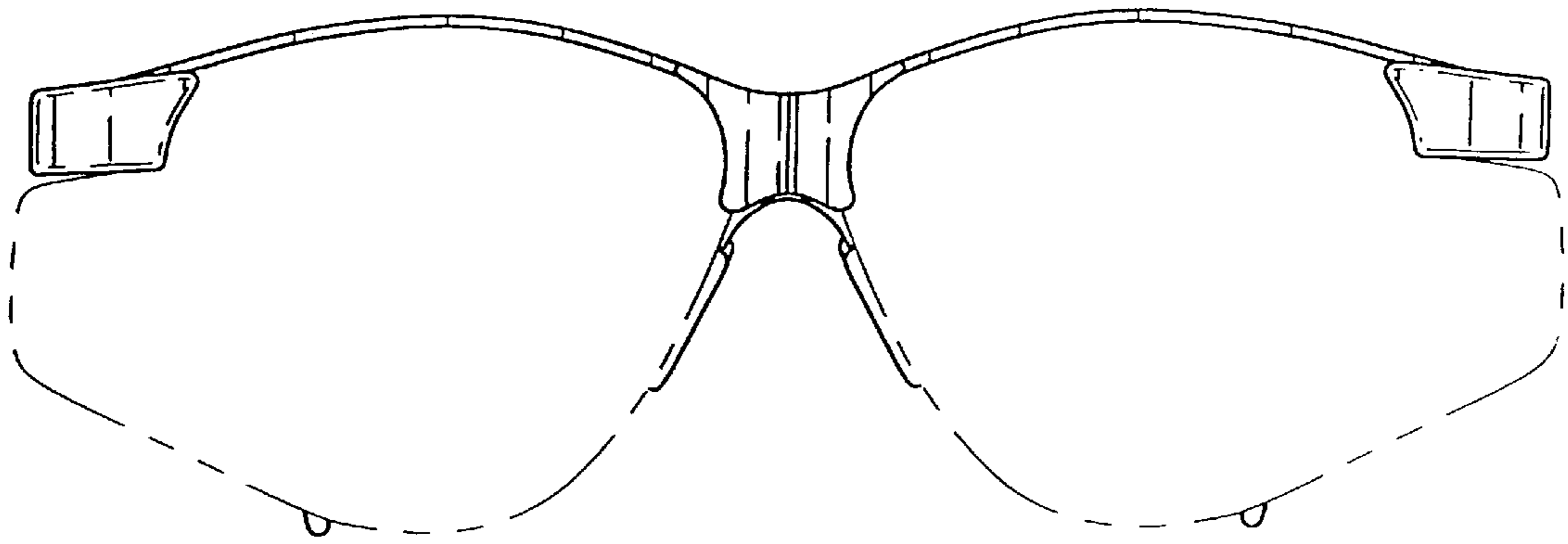


FIG. 3

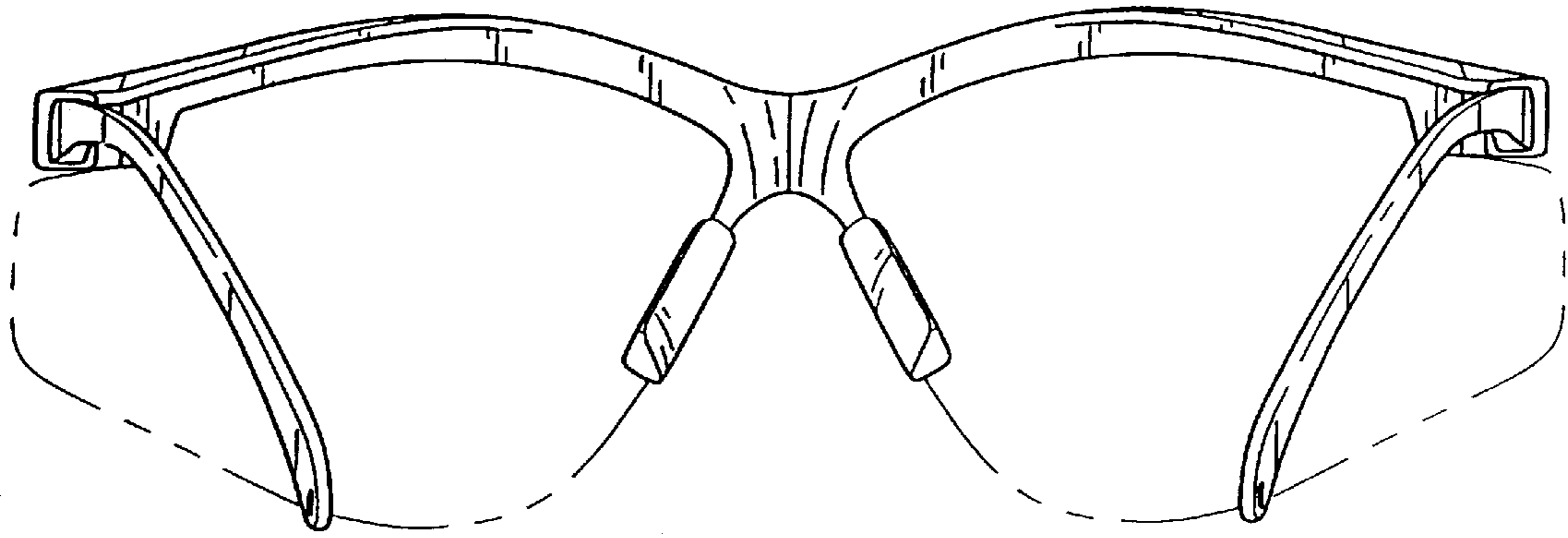


FIG. 4

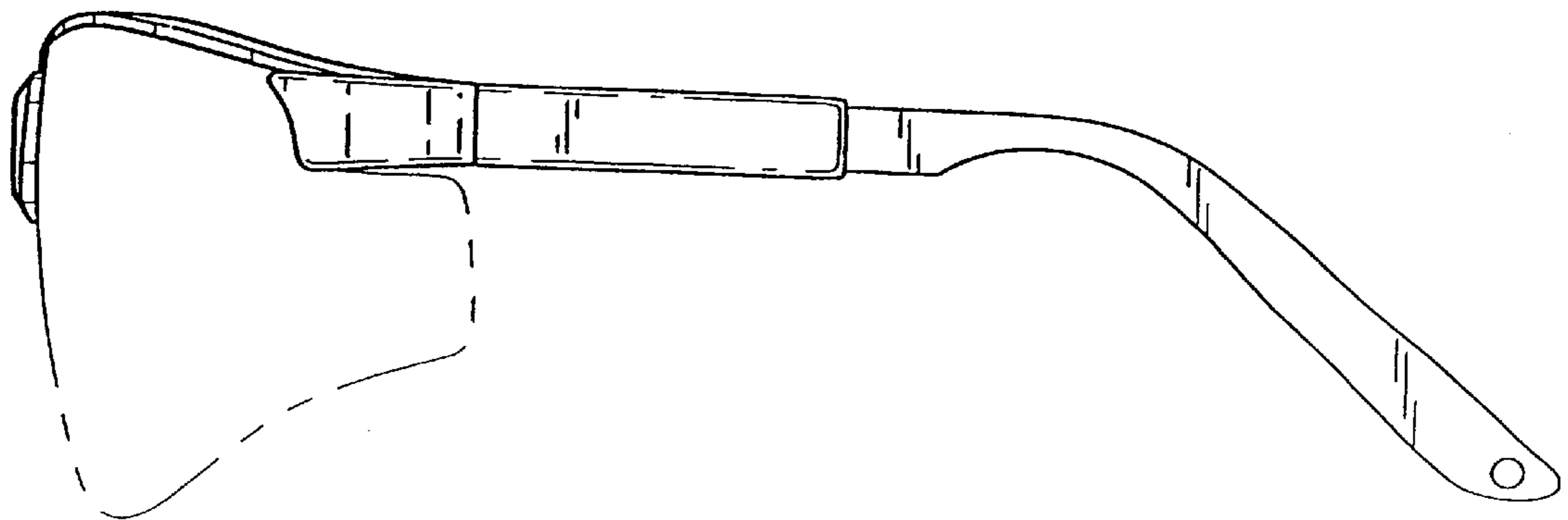


FIG. 5

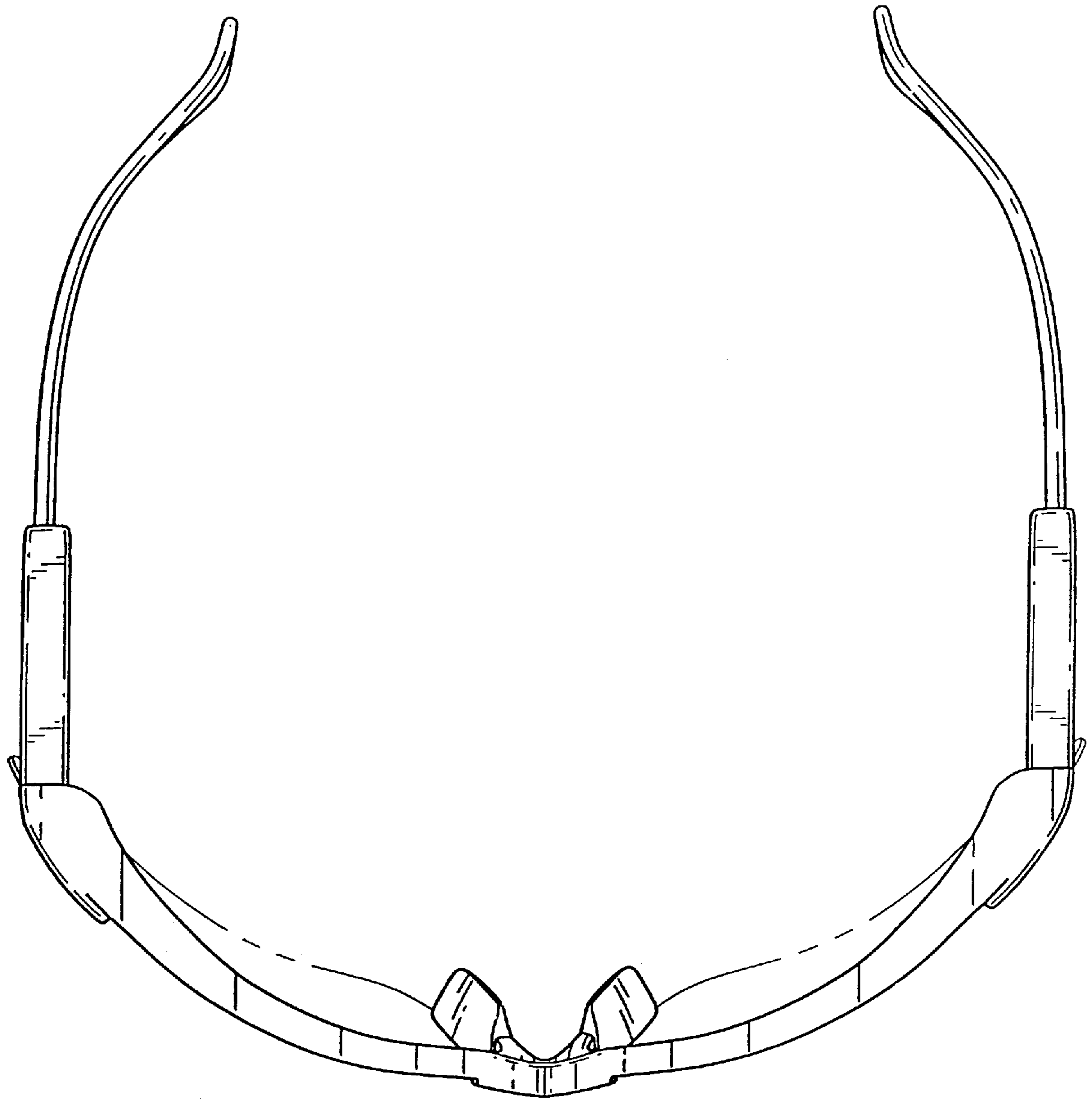


FIG. 6

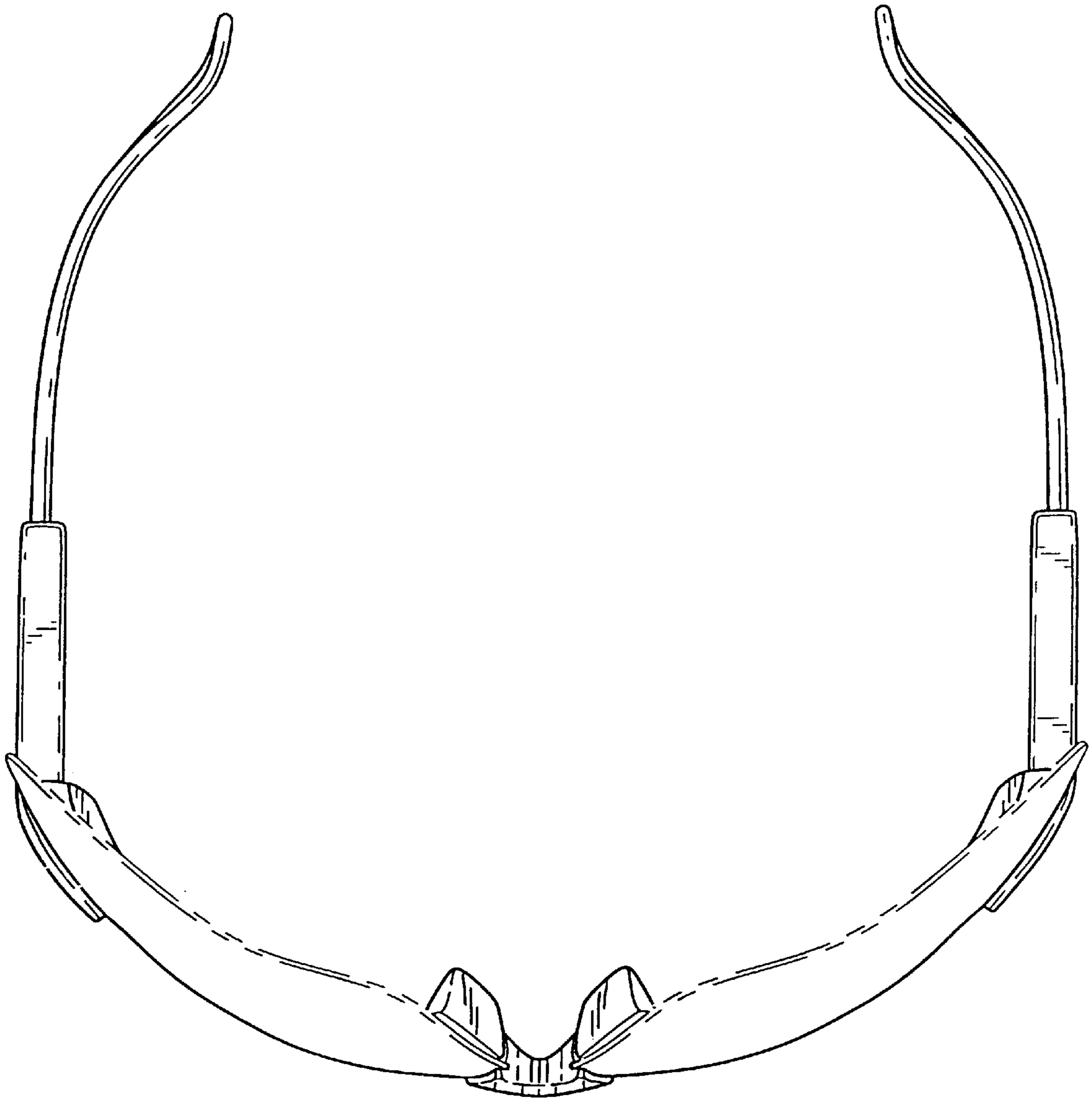


FIG. 7

UNITED STATES PATENT AND TRADEMARK OFFICE
CERTIFICATE OF CORRECTION

PATENT NO. : D434,064
DATED : November 21, 2000
INVENTOR(S) : Henry Welling Lane

It is certified that error appears in the above-identified patent and that said Letters Patent is hereby correct as shown below: ON THE TITLE PAGE

IN THE RELATED U.S. APPLICATION DATA [62]

After "...Mar. 17, 1999", delete "abandoned" and add "--now allowed--".

Signed and Sealed this
Eighth Day of May, 2001

Attest:



NICHOLAS P. GODICI

Attesting Officer

Acting Director of the United States Patent and Trademark Office