



US00D434058S

# United States Patent [19]

Shinohara et al.

[11] Patent Number: Des. 434,058

[45] Date of Patent: \*\* Nov. 21, 2000

[54] ELECTRONIC STILL CAMERA FACE

[75] Inventors: Noriyuki Shinohara; Norihiko Shimose, both of Takamatsu; Jun Konno; Nobuya Kawahata, both of Tokyo, all of Japan

[73] Assignees: Matsushita Electric Industrial Co., Ltd., Osaka; Nikon Corporation, Tokyo, both of Japan

[\*\*] Term: 14 Years

[21] Appl. No.: 29/093,486

[22] Filed: Sep. 11, 1998

### [30] Foreign Application Priority Data

Mar. 11, 1998 [JP] Japan ..... 10-6969

[51] LOC (7) Cl. .... 16-05

[52] U.S. Cl. .... D16/219; D16/208

[58] Field of Search ..... D16/200-206, D16/208, 209, 217, 218, 219; 358/906, 909.1; 348/373-376; 396/535-541, 373, 439

### [56] References Cited

#### U.S. PATENT DOCUMENTS

D. 266,331	9/1982	Schultes et al. ....	D16/209
D. 295,418	4/1988	Gotham .....	D16/209
D. 331,591	12/1992	Horiuchi et al. ....	D16/209
D. 349,125	7/1994	Wilson et al. ....	D16/208
D. 388,449	12/1997	Ohi et al. ....	D16/202
4,943,822	7/1990	Braunhut .....	396/373

#### OTHER PUBLICATIONS

Pamphlet "CAMEDIA C-820L and C-420L," Olympus Kogaku Kogyo Kabushiki Kaisha (Japan), (Feb. 11, 1998).  
Pamphlet "New Colorio CP-500," Epson Hannbai Kabushiki Kaisha (Japan), (Jun. 13, 1997).

Primary Examiner—Adir Aronovich

### [57] CLAIM

The ornamental design for an electronic still camera face, as shown and described.

### DESCRIPTION

FIG. 1 is a front perspective view of an electronic still camera face showing the new design, with the broken lines being for illustrative purposes only and forming no part of the claimed design;

FIG. 2 is a front view thereof;

FIG. 3 is a rear view thereof;

FIG. 4 is a top view thereof;

FIG. 5 is a bottom view thereof;

FIG. 6 is a left side view thereof;

FIG. 7 is a right side view thereof;

FIG. 8 is a front referential perspective view thereof where the electronic still camera face has been equipped with a stroboscope;

FIG. 9 is a rear referential perspective view thereof where the electronic still camera face has been equipped with a stroboscope;

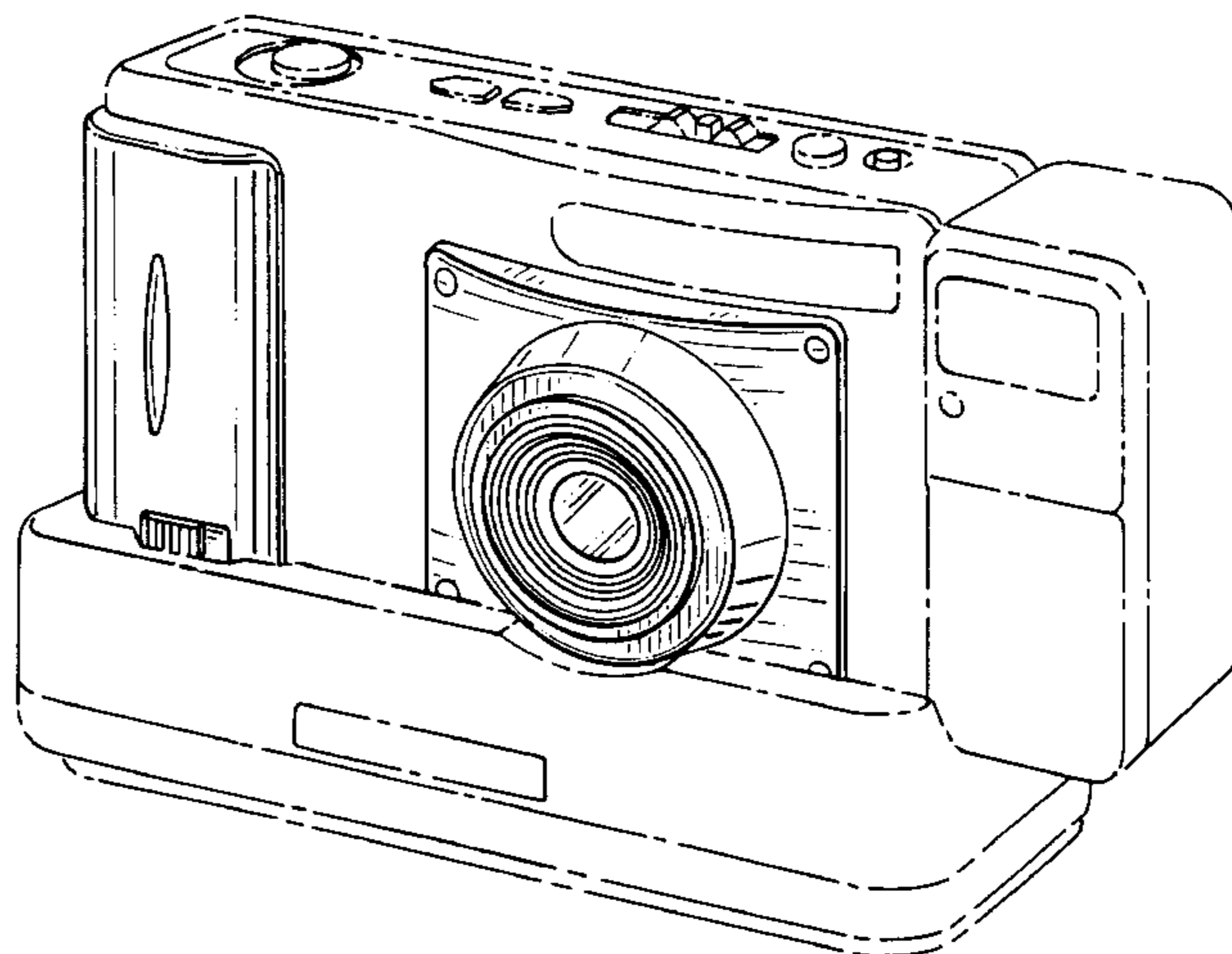
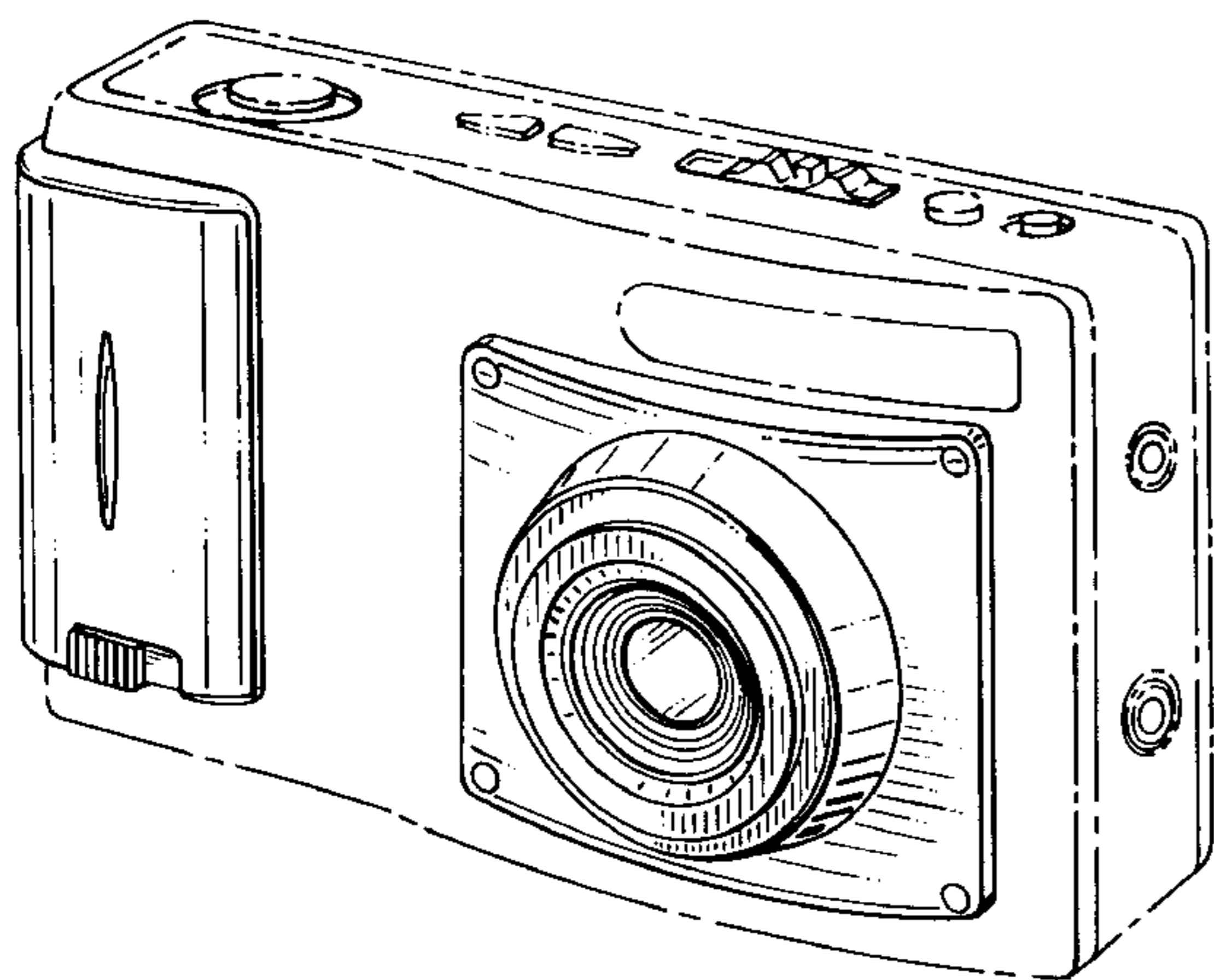
FIG. 10 is a front referential perspective view thereof where the electronic still camera face has been equipped with an adapter;

FIG. 11 is a rear referential perspective view thereof where the electronic still camera face has been equipped with an adapter; and,

FIG. 12 is a front referential perspective view thereof where the electronic still camera face has been equipped with an adapter and stroboscope.

The broken line showing of a stroboscope and adapter is for illustrative purposes only and forms no part of the claimed design.

1 Claim, 5 Drawing Sheets



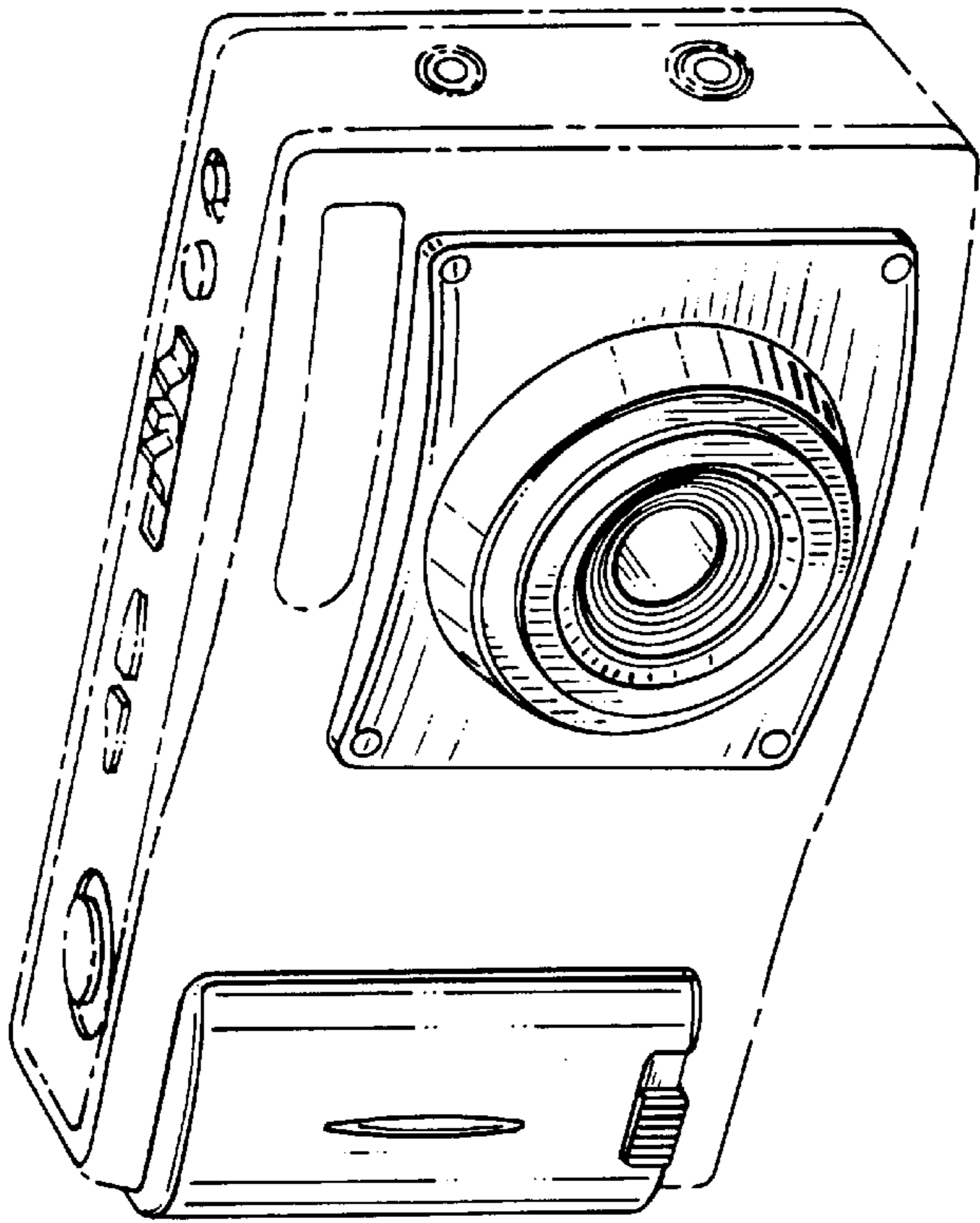


Fig. 1

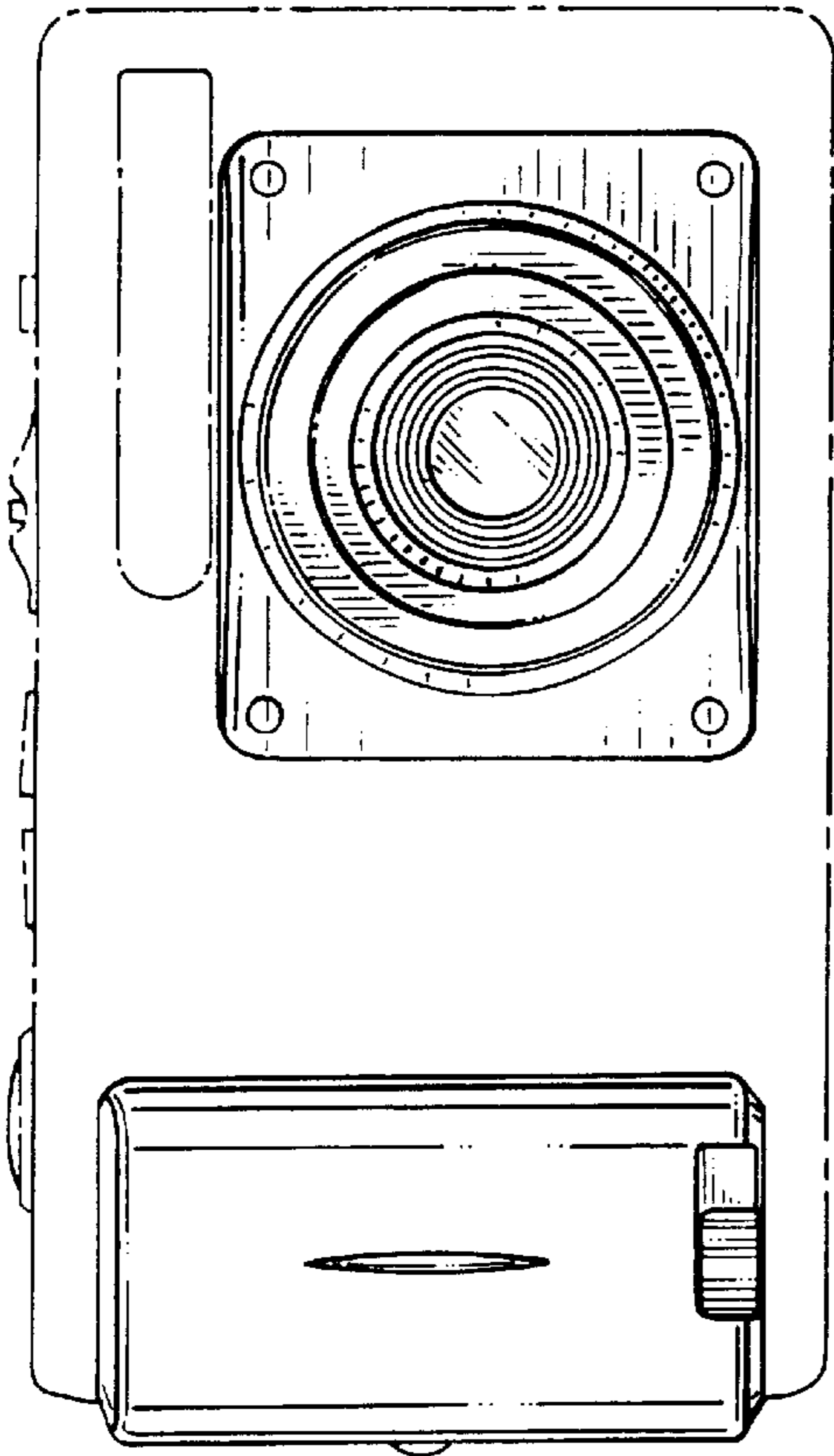


Fig. 2

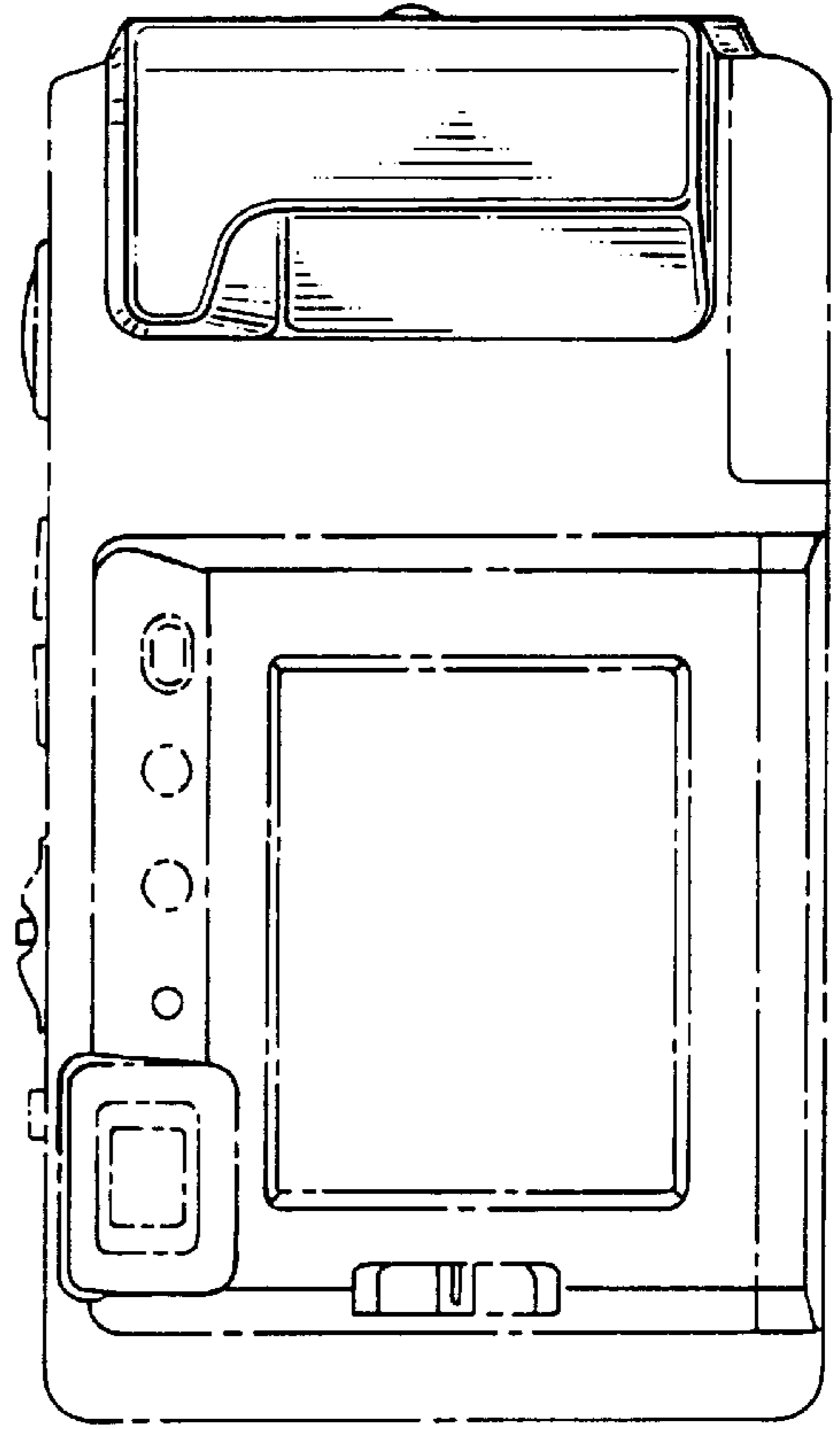
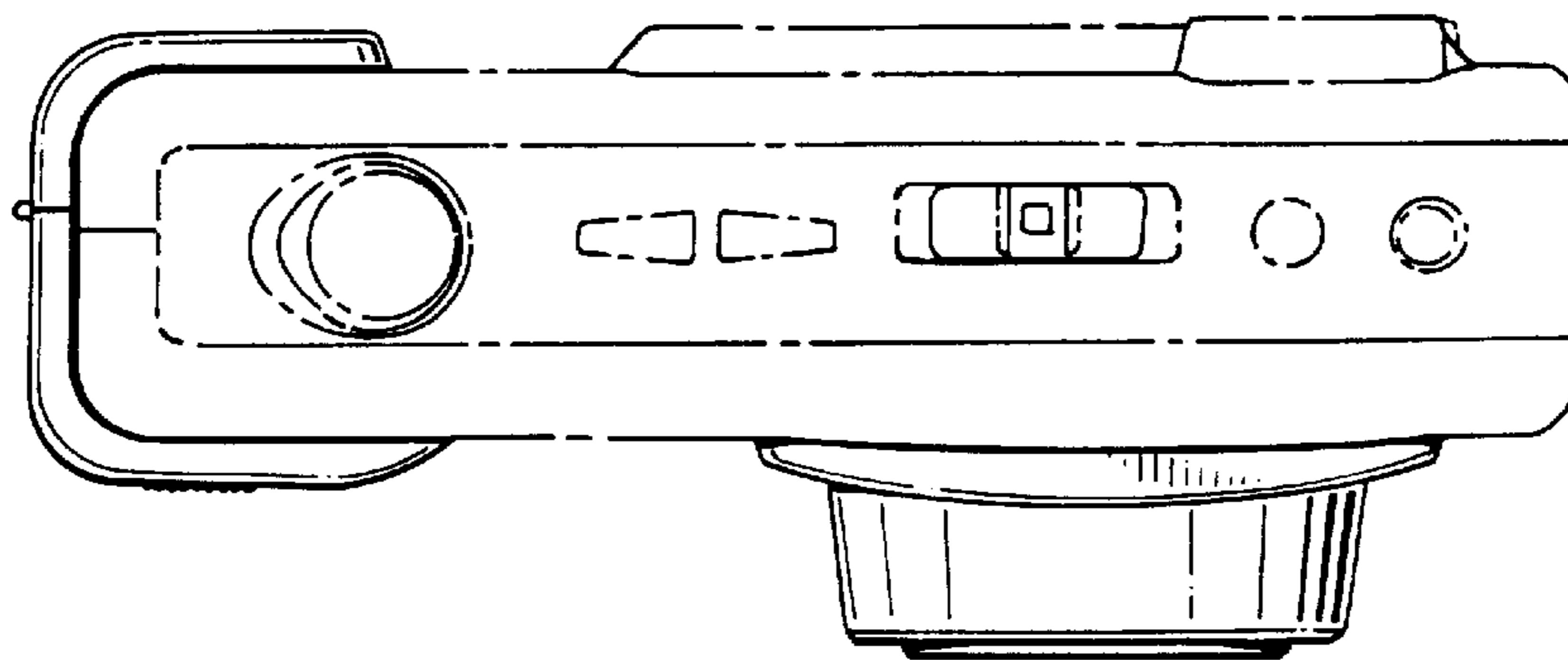
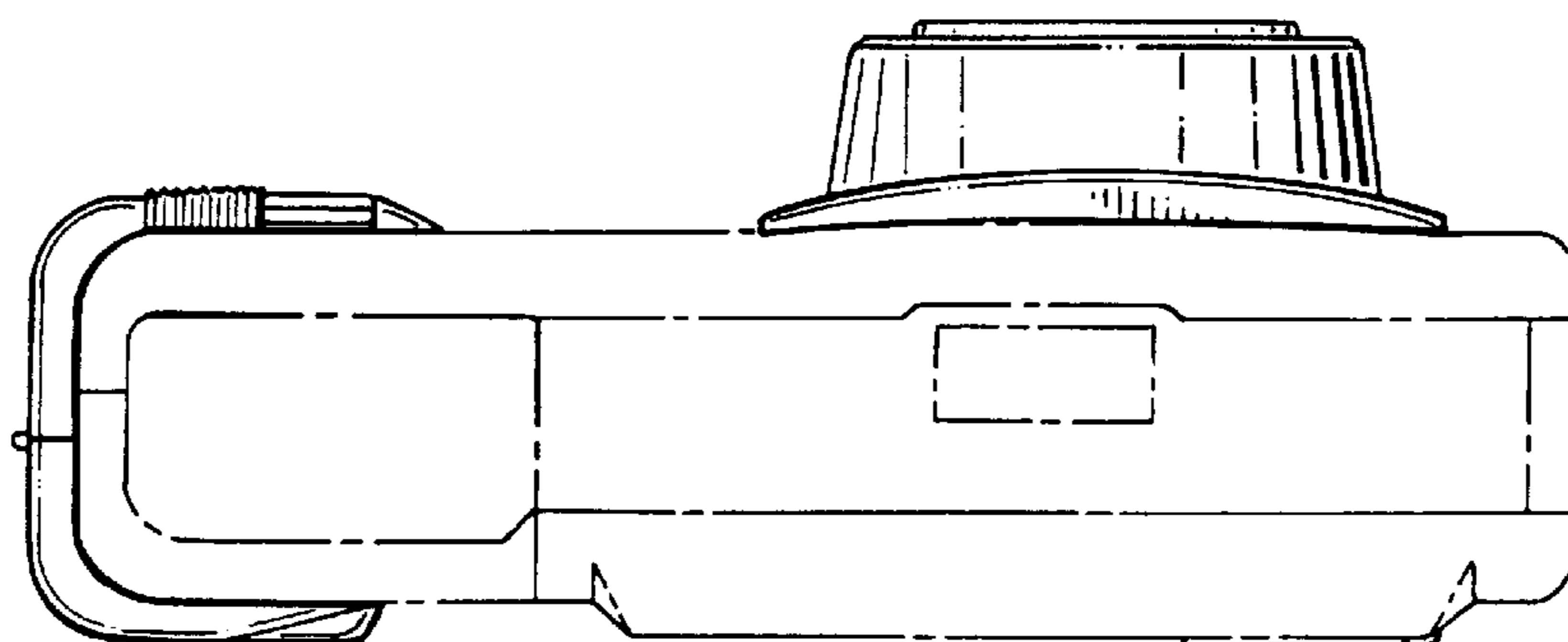


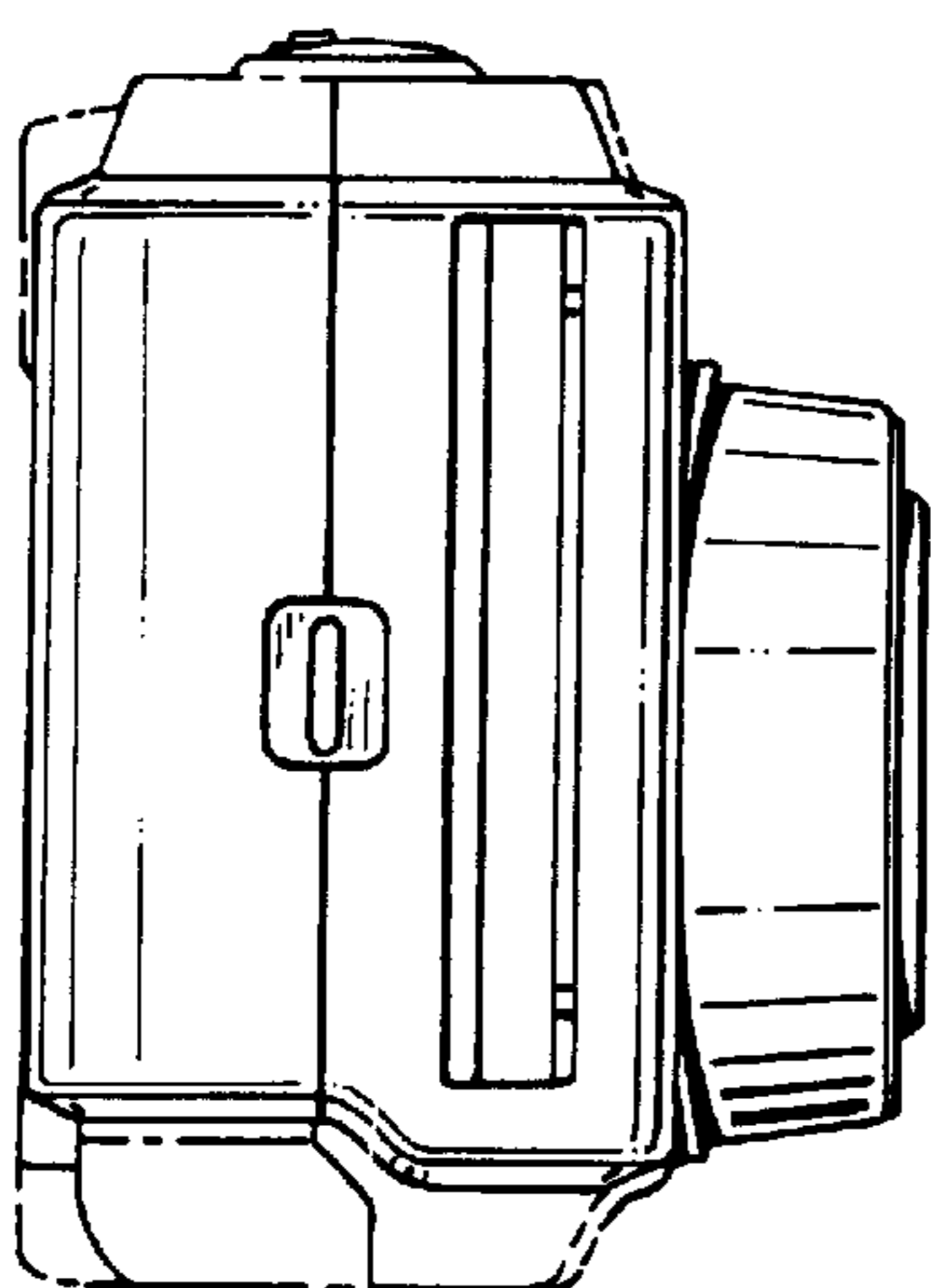
Fig. 3



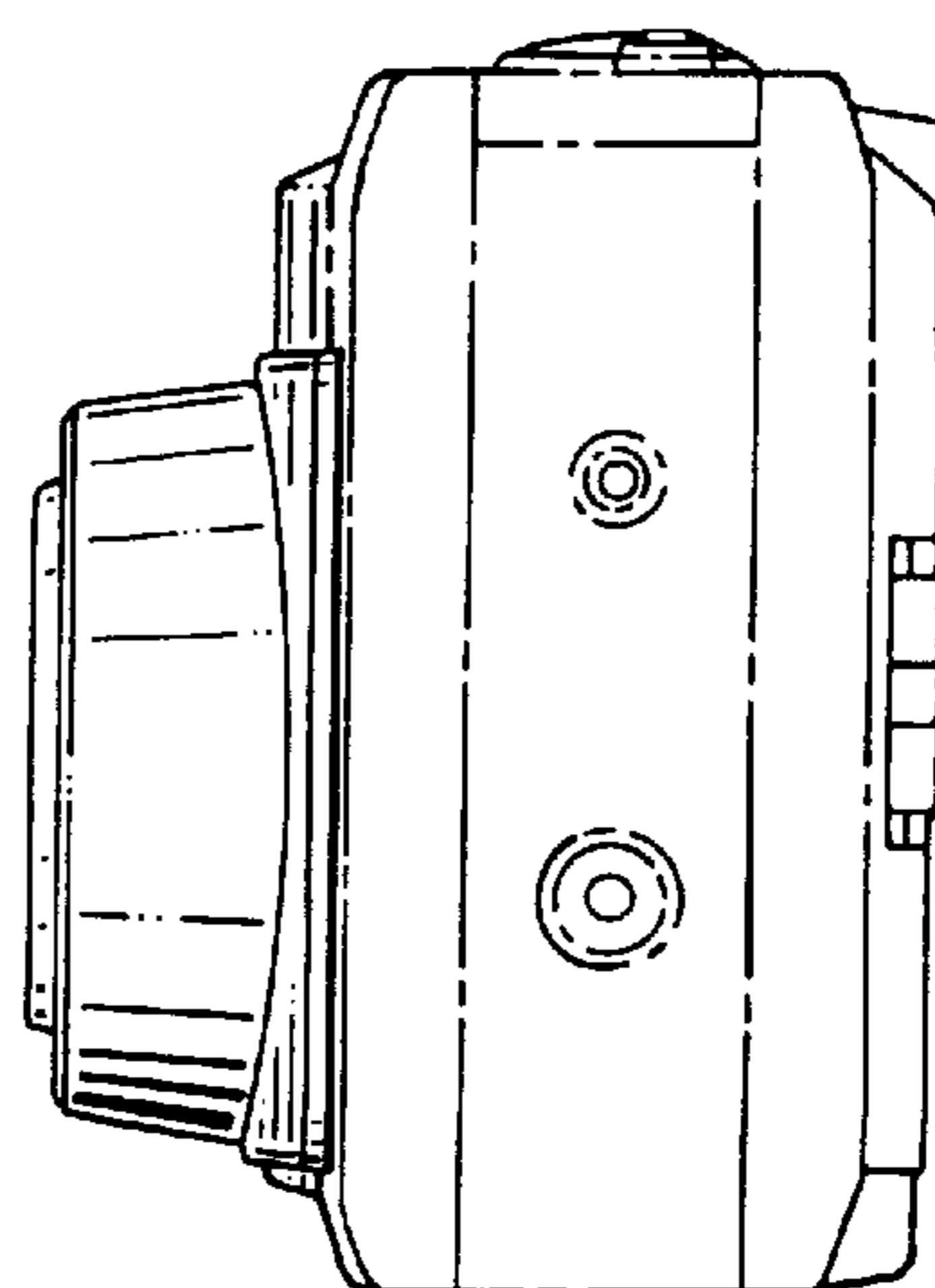
*Fig. 4*



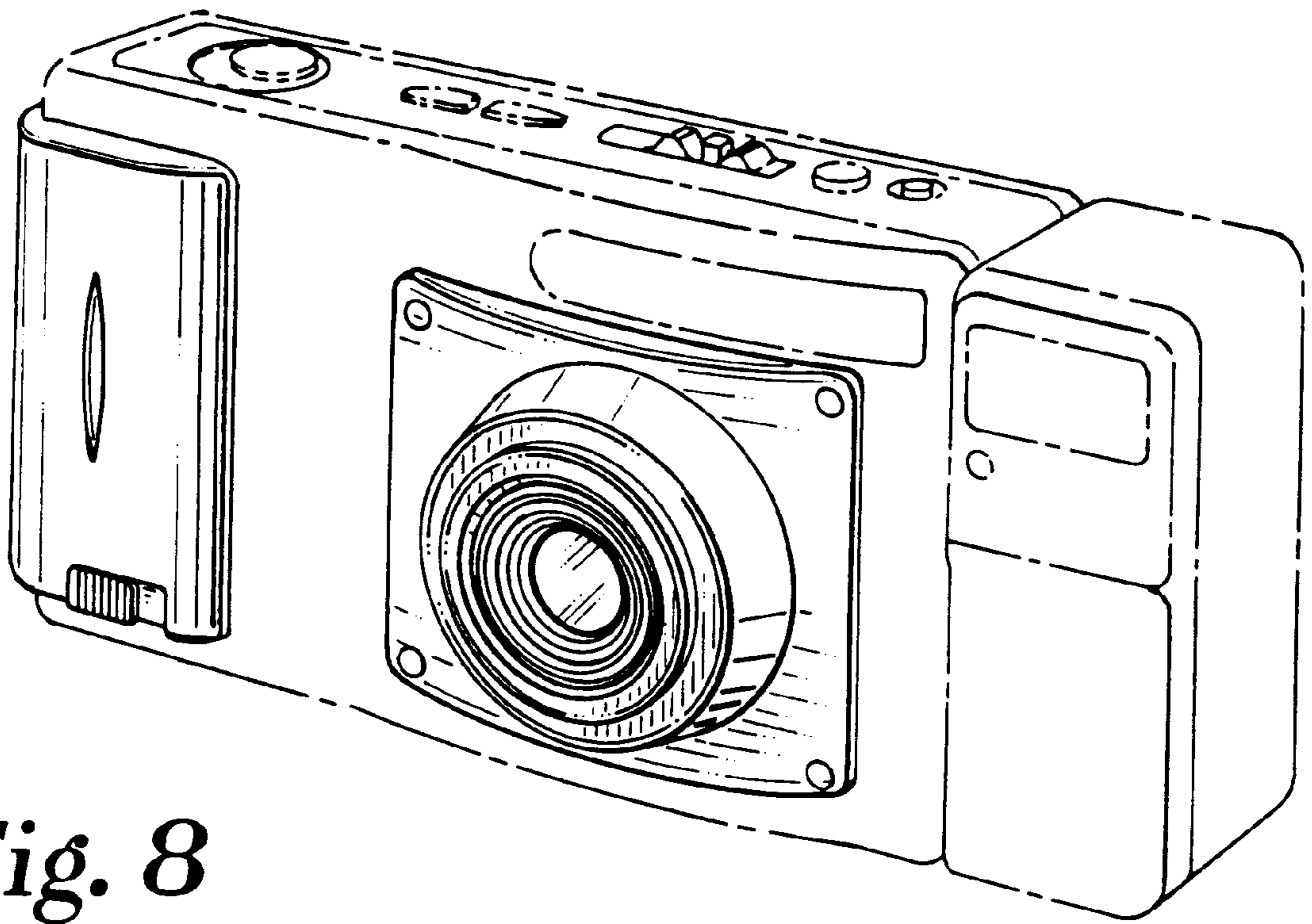
*Fig. 5*



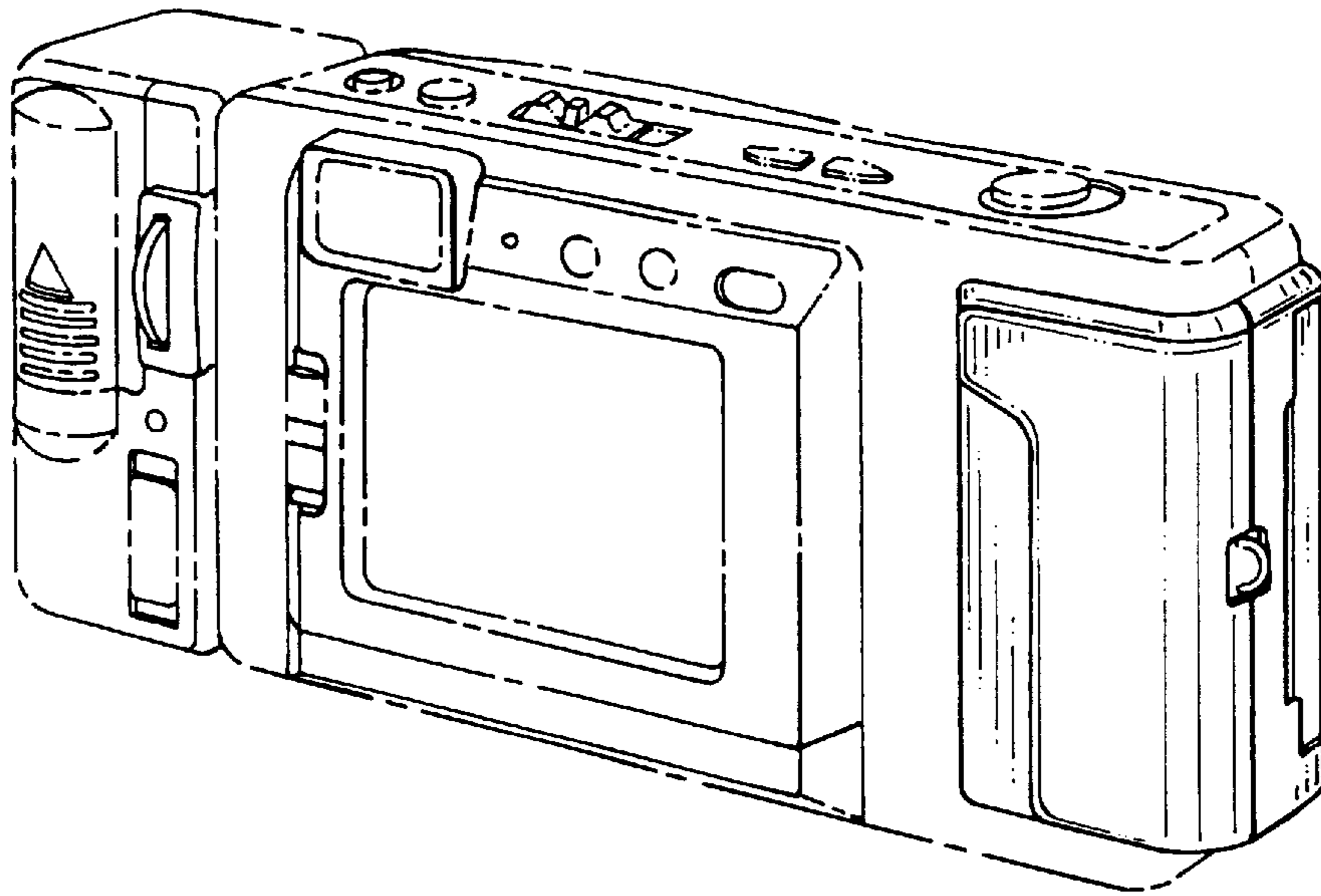
*Fig. 6*



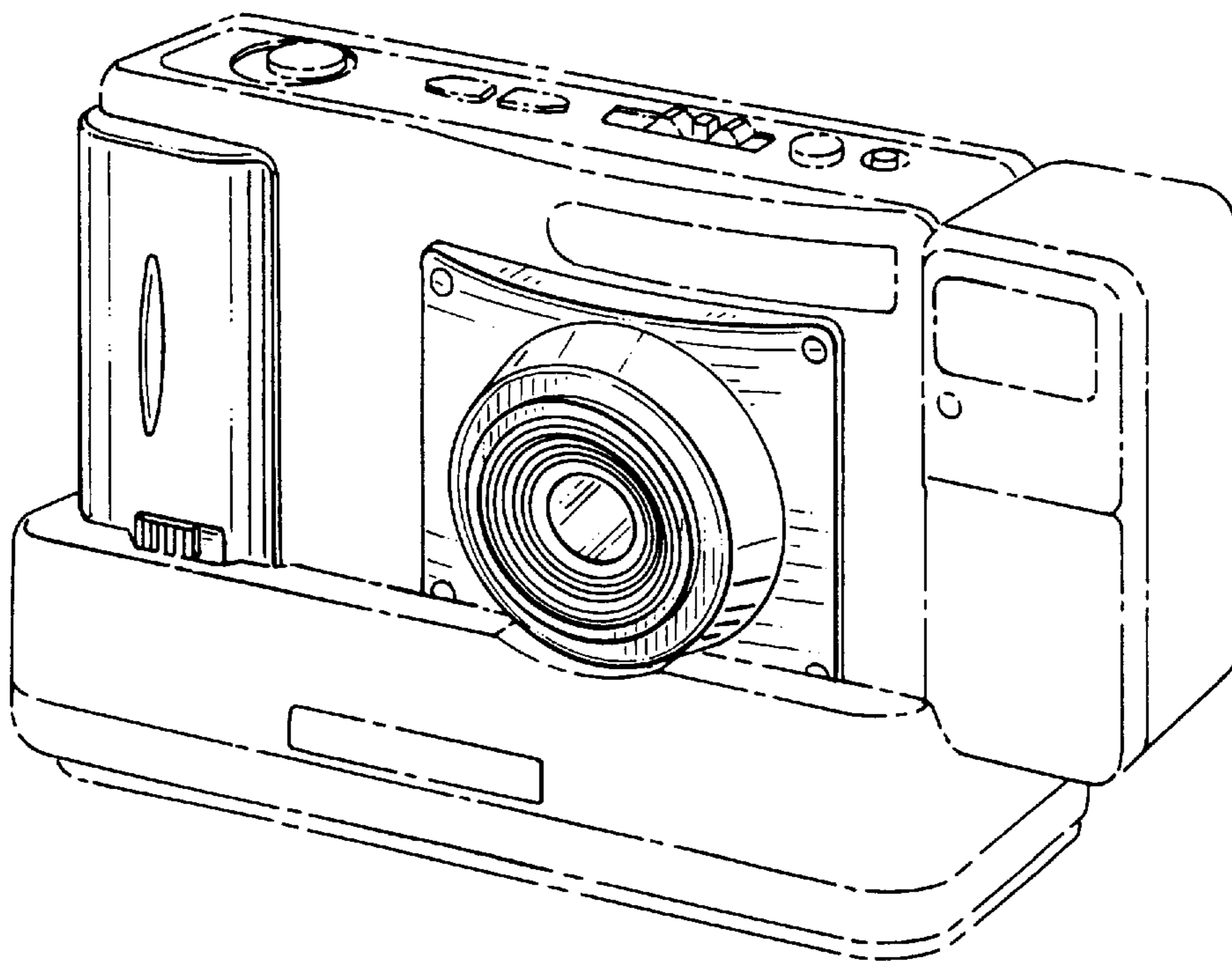
*Fig. 7*



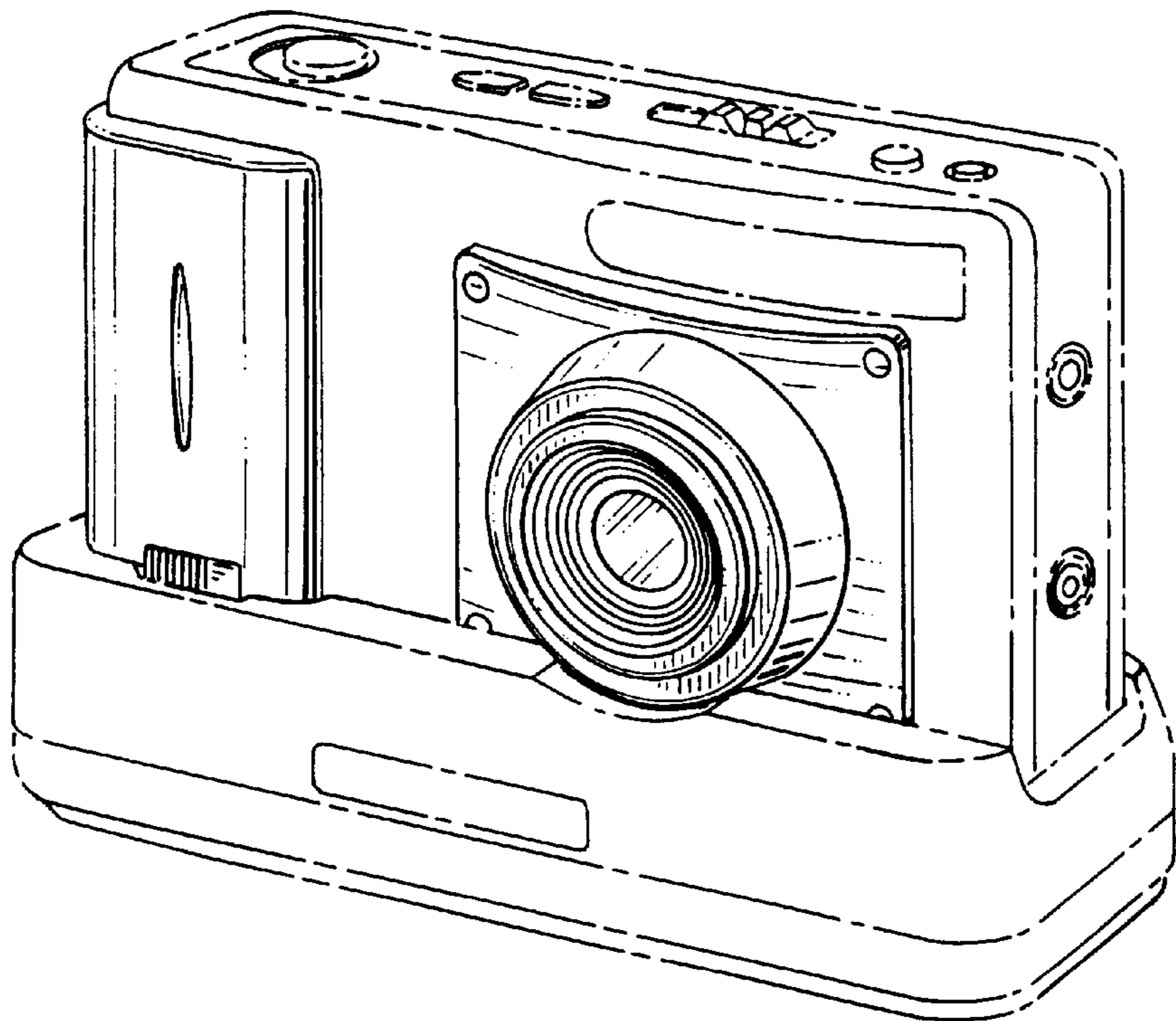
*Fig. 8*



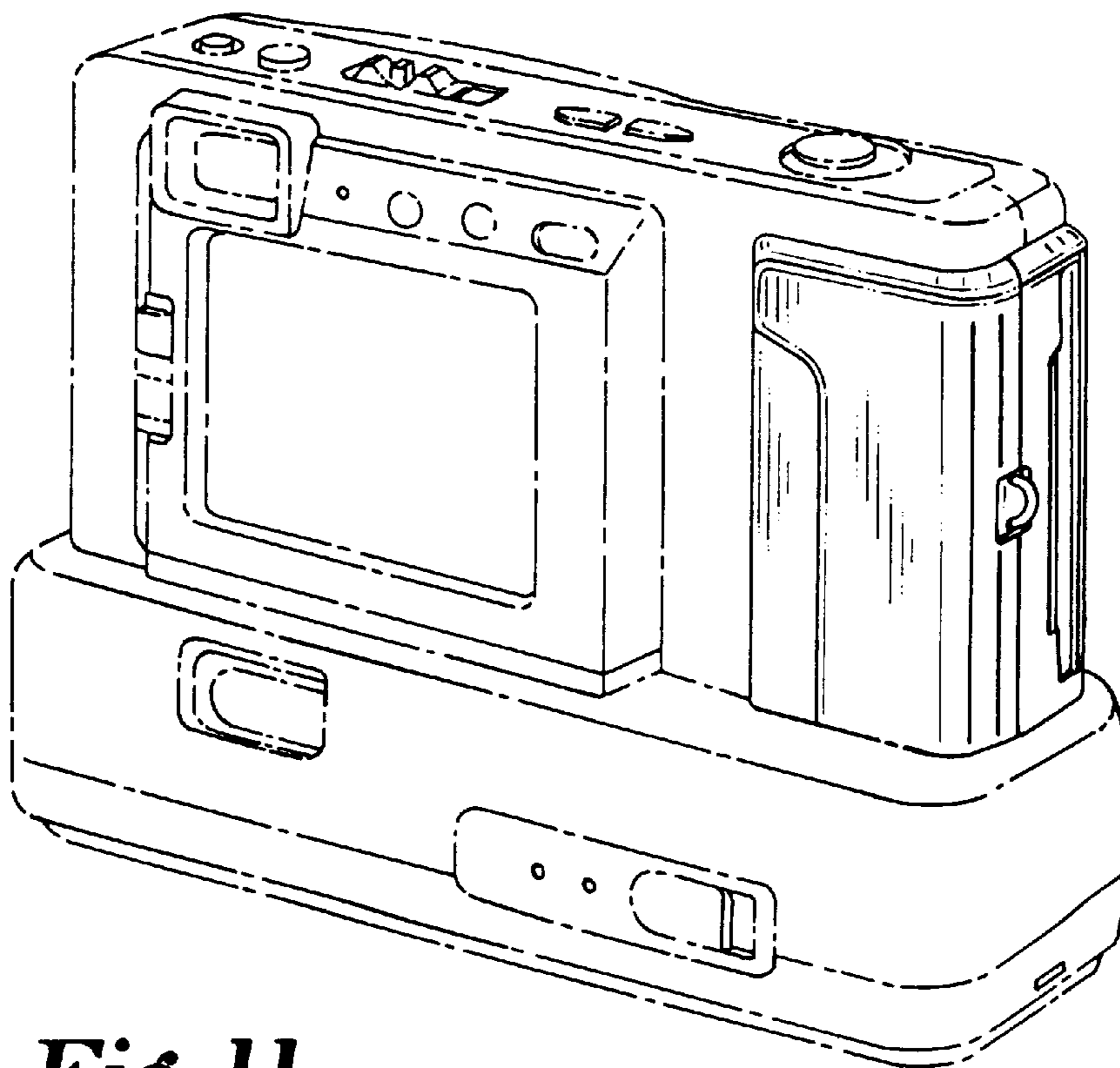
*Fig. 9*



*Fig. 12*



*Fig. 10*



*Fig. 11*