



US00D434053S

United States Patent [19]

[11] **Patent Number: Des. 434,053**

Fort et al.

[45] **Date of Patent: ** Nov. 21, 2000**

[54] **NOZZLE FOR DISPENSING ADHESIVES AND SEALANTS**

[75] Inventors: **Wesley C. Fort**, Norcross; **John M. Raterman**, Atlanta, both of Ga.

[73] Assignee: **Nordson Corporation**, Westlake, Ohio

[**] Term: **14 Years**

[21] Appl. No.: **29/108,691**

[22] Filed: **Aug. 2, 1999**

Related U.S. Application Data

[62] Division of application No. 29/092,589, Aug. 24, 1998, Pat. No. Des. 420,024.

[51] **LOC (7) Cl.** **15-09**

[52] **U.S. Cl.** **D15/144.1**

[58] **Field of Search** D15/144.1, 144.2; 239/11, 71, 536; 425/7; 427/208.2

[56] References Cited

U.S. PATENT DOCUMENTS

D. 366,051	1/1996	Lewis et al.	D15/144.1
3,543,332	12/1970	Wagner et al.	18/8
4,066,188	1/1978	Scholl et al.	222/146
4,346,848	8/1982	Malcolm	239/596
4,570,858	2/1986	Bintner et al.	239/71 X
5,265,803	11/1993	Thayer	239/71
5,277,344	1/1994	Jenkins	222/504
5,356,079	10/1994	Rahbar	239/590 X
5,544,813	8/1996	Giles et al.	239/71

OTHER PUBLICATIONS

Nordson Corporation, *Series H-200 Hot Melt Guns*, © 1993, 1995, 1997, 1998 Reissued Jun. 1998.

Nordson Corporation, *Controlled Fiberization™ Technology*, Brochure, Reissued Jun. 1996.

ITW, *ITW Dynatec EZ Nozzles*, May 21, 1998.

Slautterback Corp., *Automatic Extrusion Nozzles*, Jul. 1997.

Nordson Corporation, *Nordson Replacement Parts Work Better, Last Longer, and are Priced Right. Why Buy Anything Else?*, 1997.

Nordson Corporation, *1996 Adhesives and Sealants Equipment Catalog*, p. 10-4 & 10-8.

Primary Examiner—Antoine Duval Davis
Attorney, Agent, or Firm—Raymond J. Slattery, III

[57] CLAIM

The ornamental design for a nozzle for dispensing adhesives and sealants, as shown and described.

DESCRIPTION

FIG. 1 is a perspective view of one embodiment of the new design for a nozzle for dispensing adhesives and sealants;

FIG. 2 is a side elevational view of the nozzle of FIG. 1; and

FIG. 3 is a perspective view of a second the embodiment of the new design for a nozzle;

FIG. 4 is a side elevational view of the nozzle of FIG. 3 wherein each side is the same as that shown; and

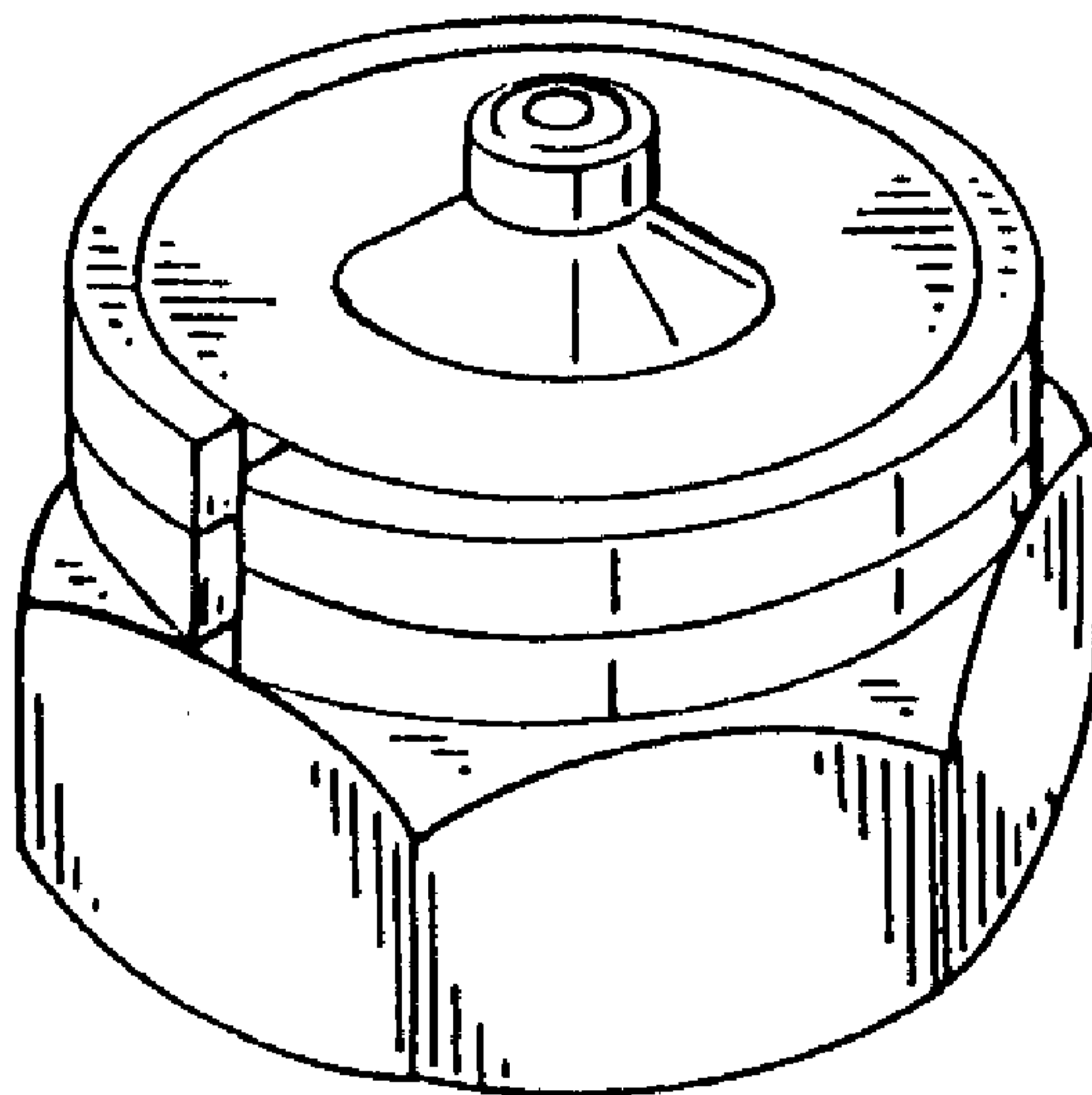
FIG. 5 is a perspective view of a third embodiment of the new design for a nozzle for dispensing adhesives and sealants;

FIG. 6 is a side elevational view of the nozzle of FIG. 5; and

FIG. 7 is a perspective view of a fourth embodiment of the new design for a nozzle; and,

FIG. 8 is a side elevational view of the nozzle of FIG. 7 wherein each side is the same as that shown.

1 Claim, 1 Drawing Sheet



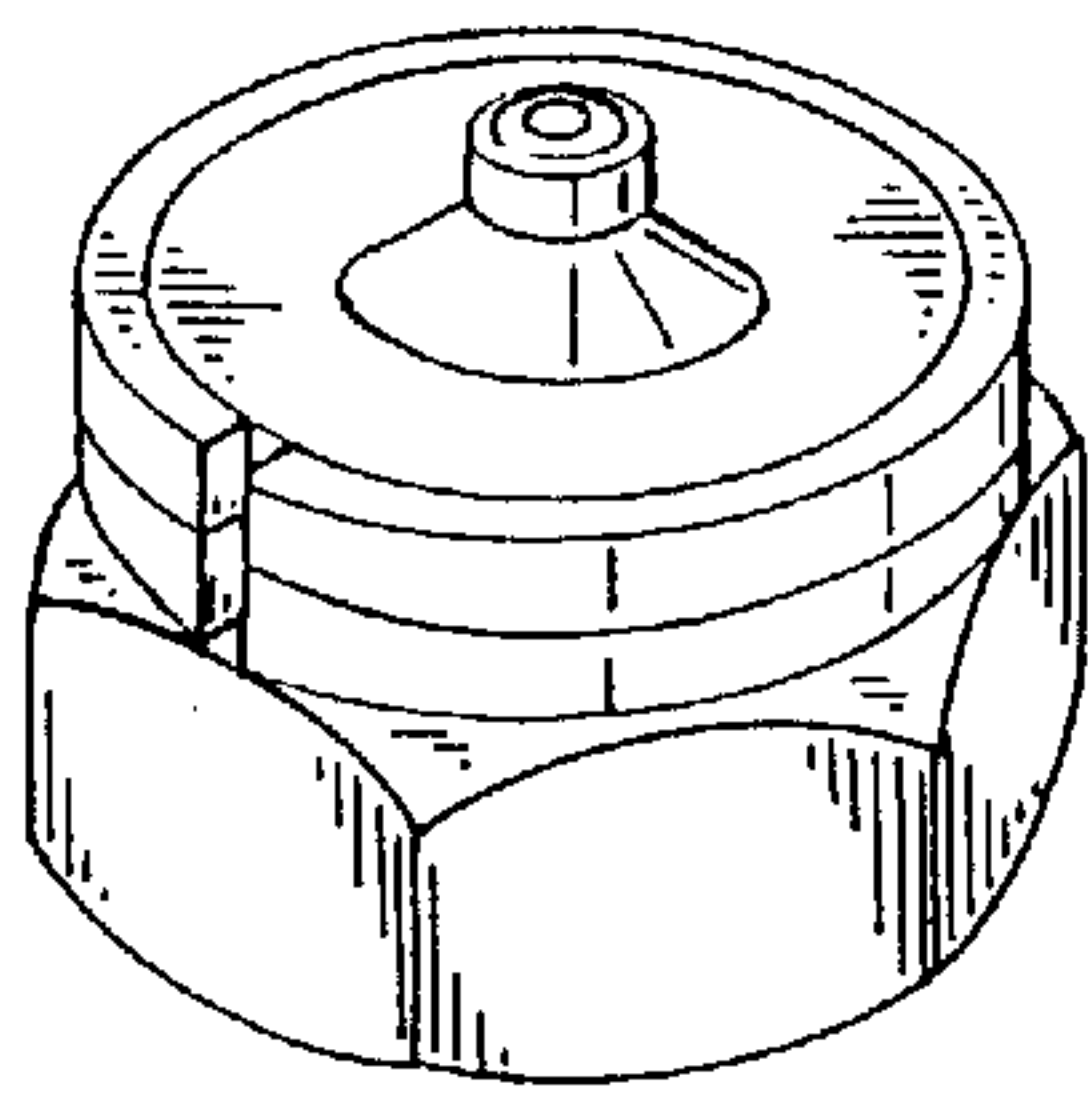


FIG. - 1

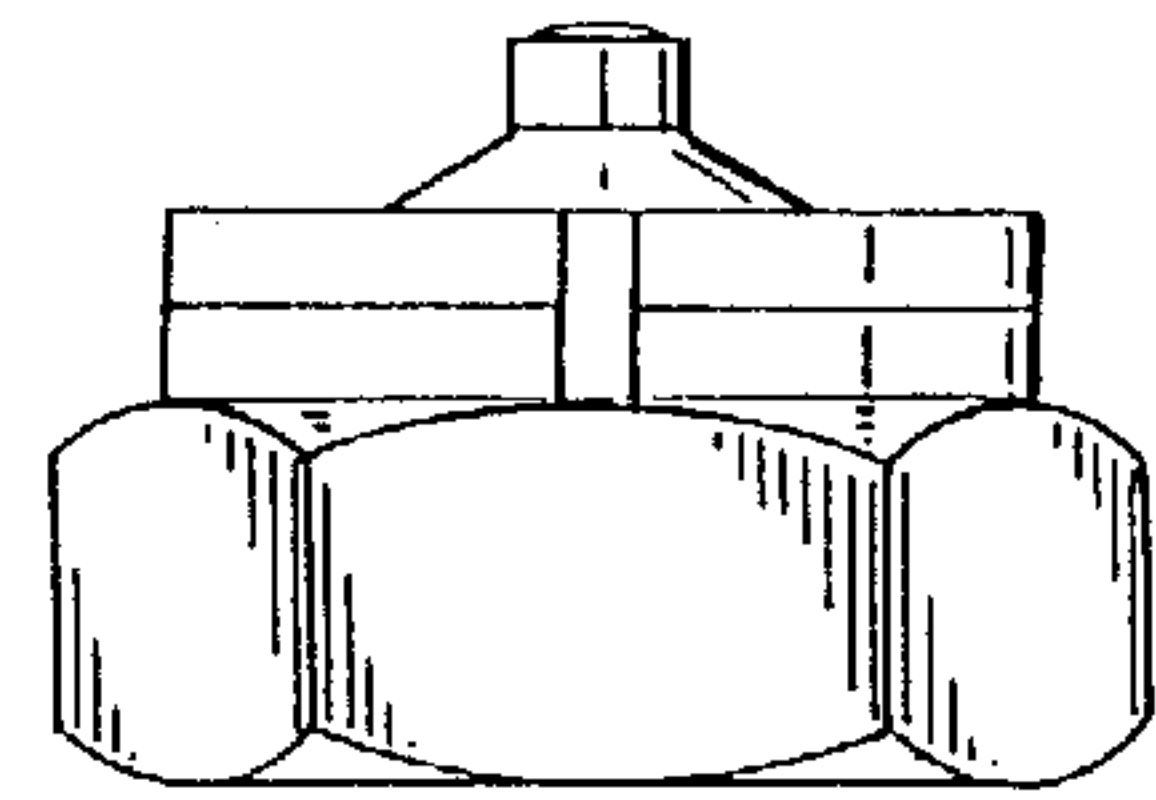


FIG. - 2

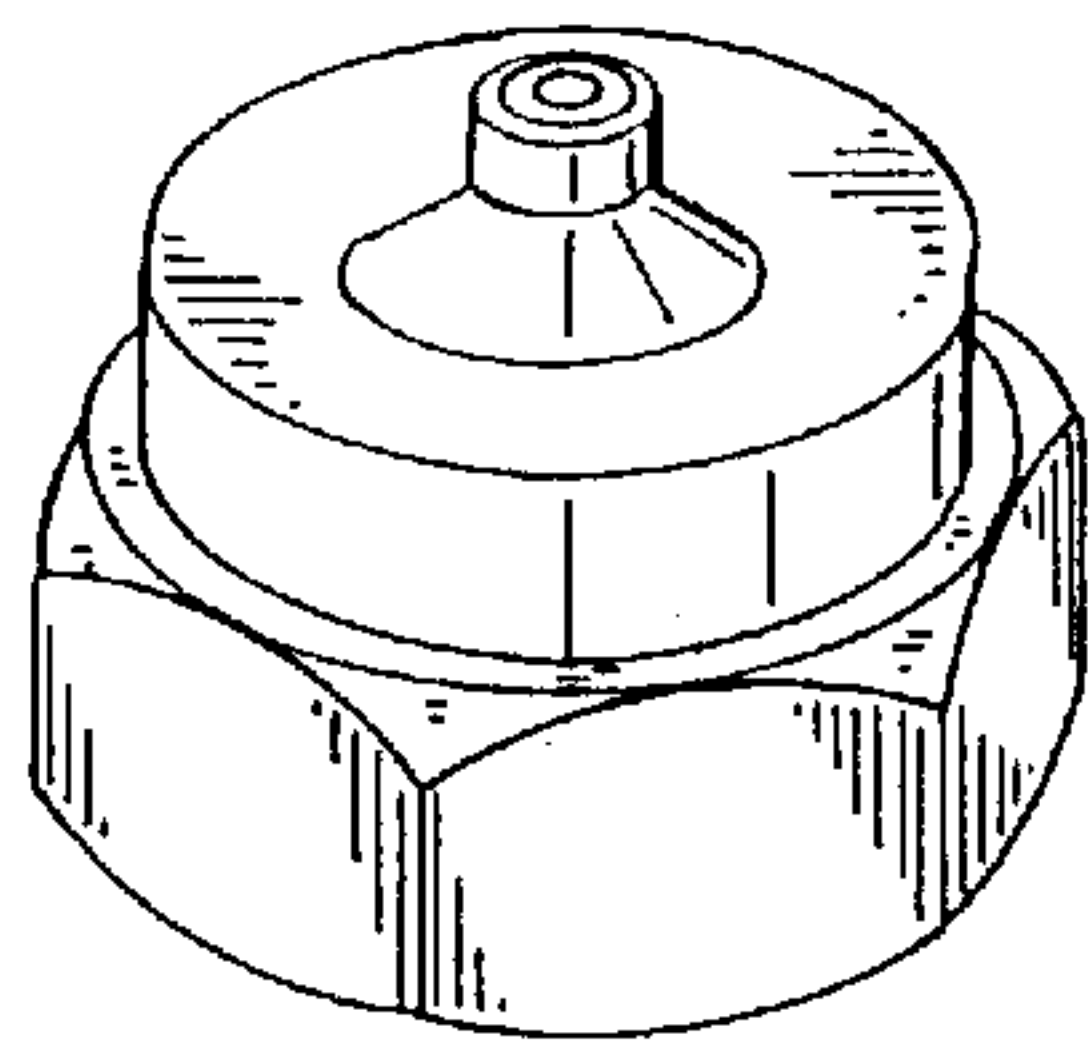


FIG. - 3

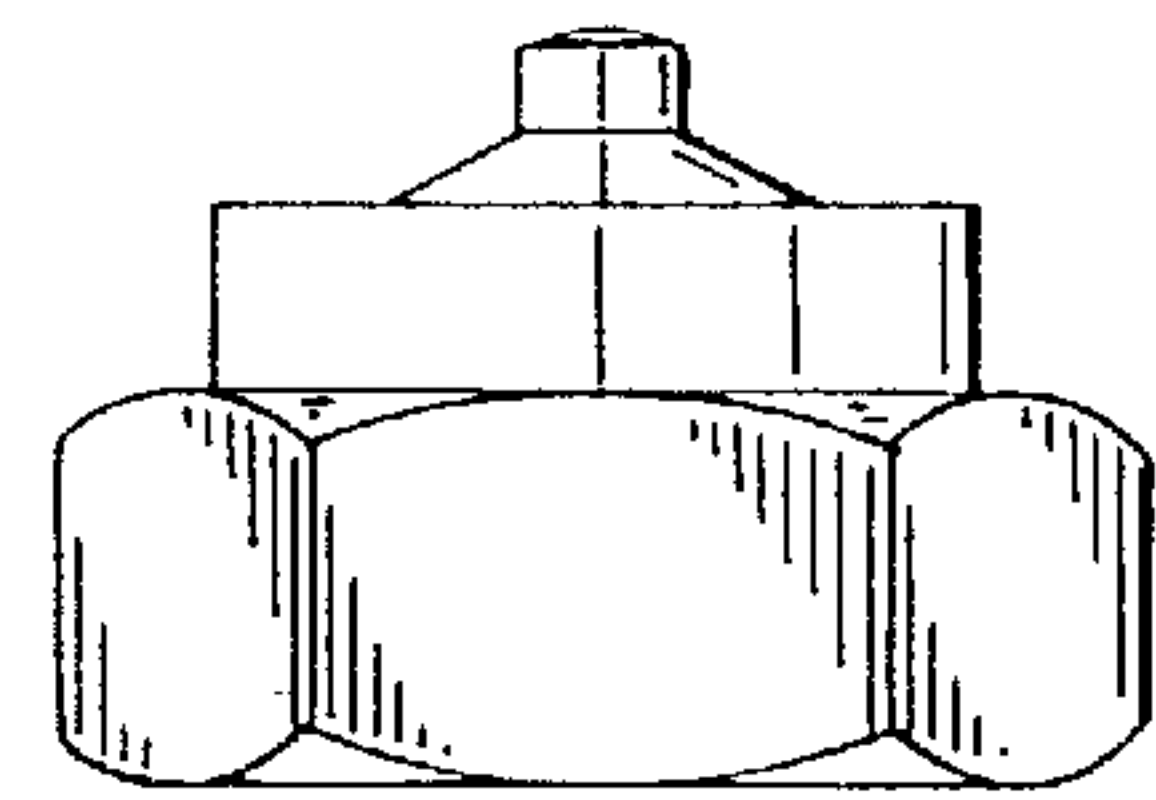


FIG. - 4

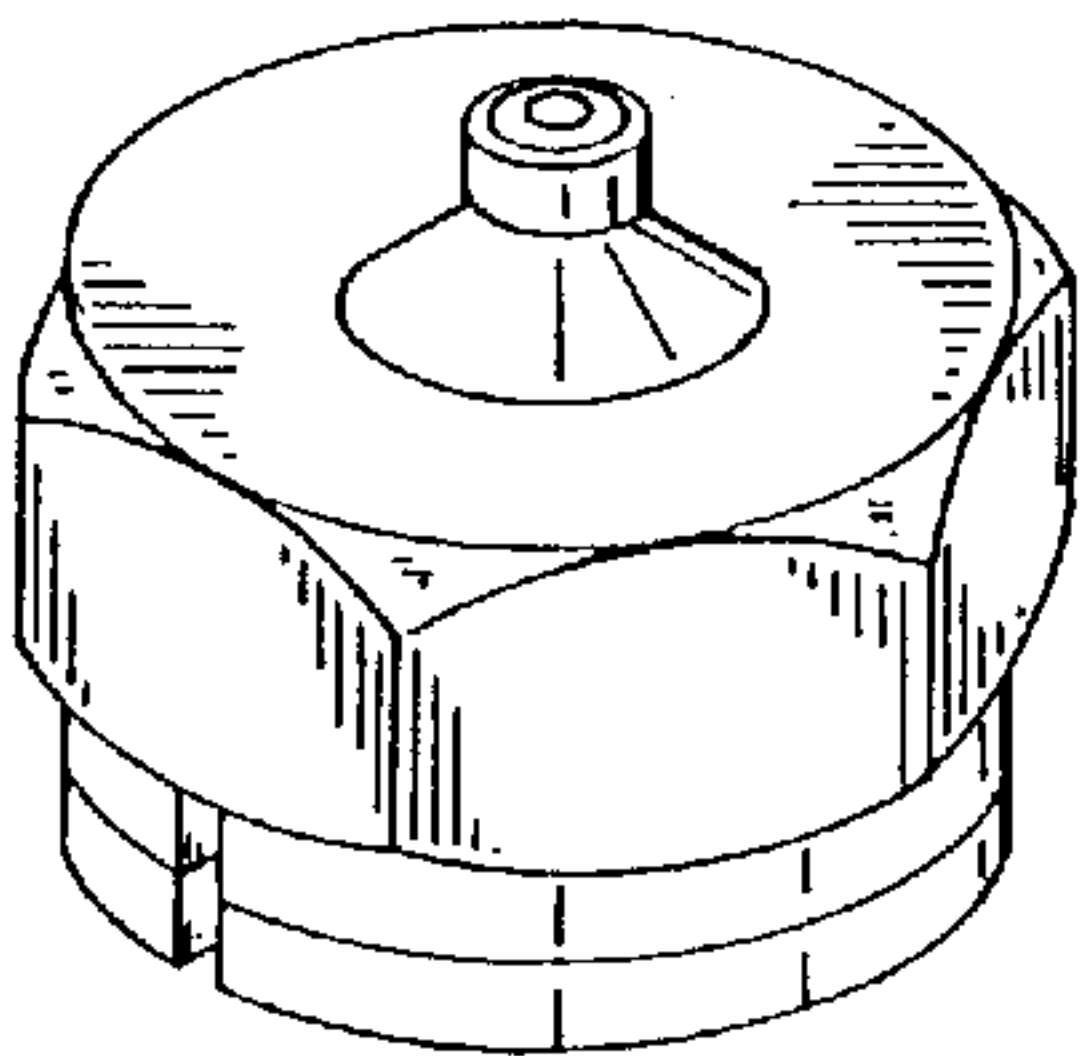


FIG. - 5

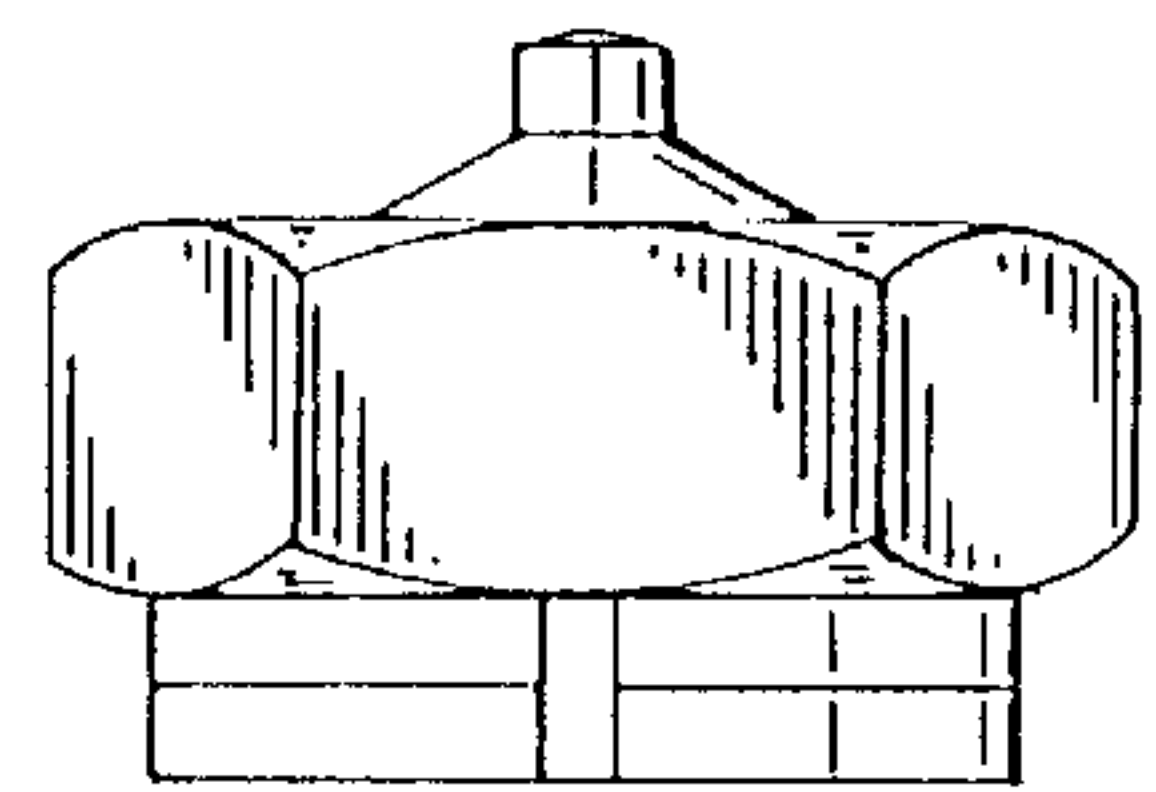


FIG. - 6

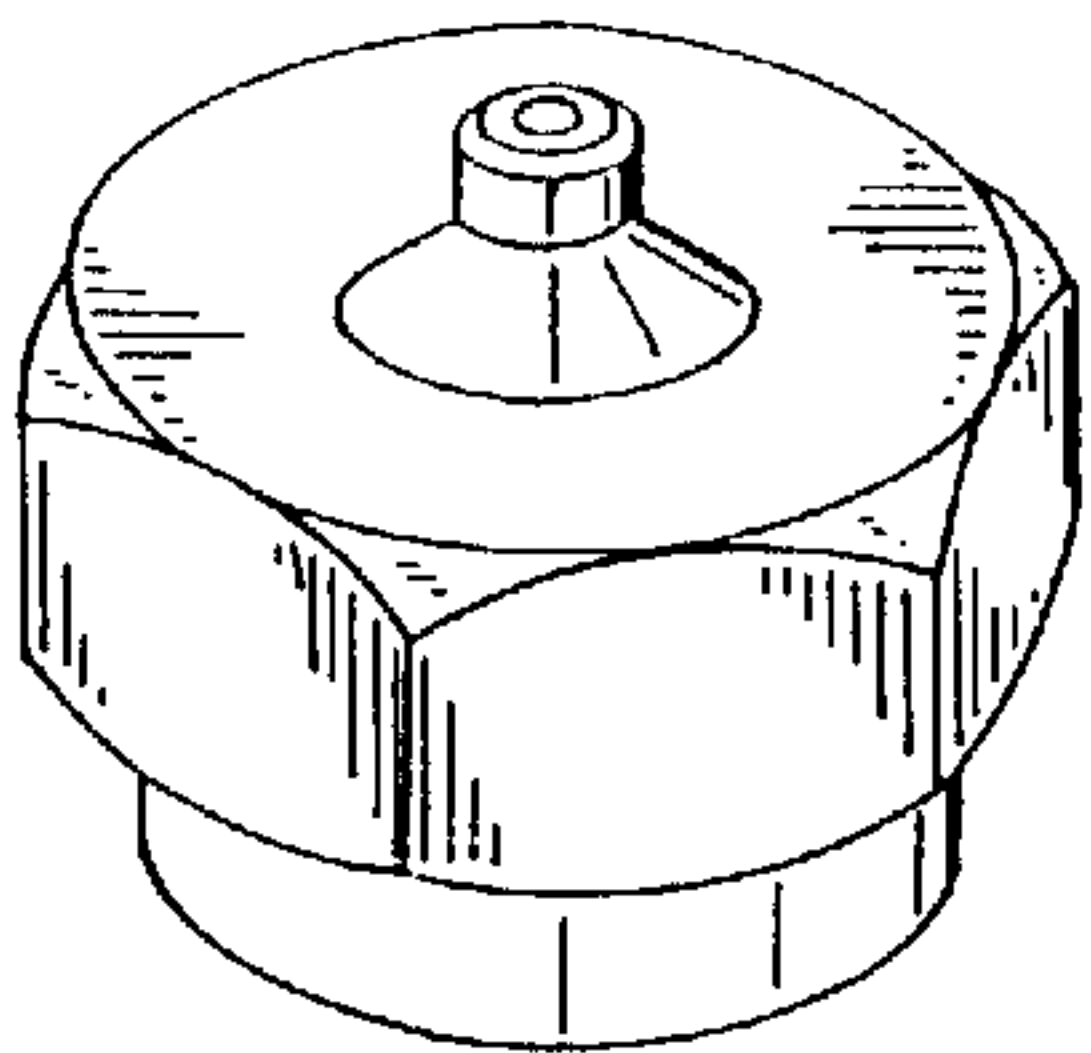


FIG. - 7

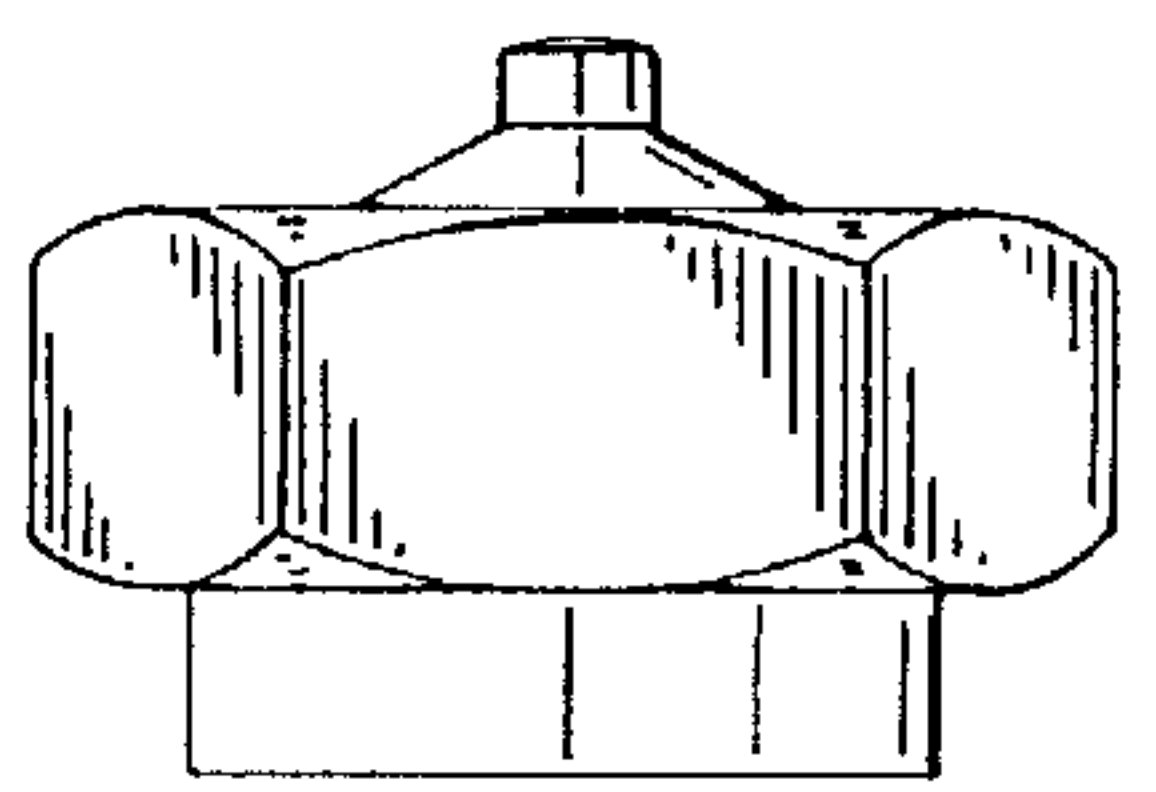


FIG. - 8