



US00D434052S

# United States Patent [19]

Swan et al.

[11] Patent Number: **Des. 434,052**

[45] Date of Patent: **\*\* Nov. 21, 2000**

- [54] **GRINDER BLADE ASSEMBLY**
- [75] Inventors: **Leo Swan, Jefferson; William Richard Harding**, Frederick, both of Md.
- [73] Assignee: **Equipment Development Company, Inc.**, Frederick, Md.
- [\*\*] Term: **14 Years**
- [21] Appl. No.: **29/113,818**
- [22] Filed: **Nov. 15, 1999**

4,758,050	7/1988	Peterson et al. ....	299/41.1
5,335,977	8/1994	Morrell et al. ....	299/107
5,409,299	4/1995	Holder .....	299/41.1
5,683,143	11/1997	Peterson et al. ....	299/41.1
5,685,373	11/1997	Collins et al. ....	125/5
6,021,771	2/2000	Swan et al. .	

*Primary Examiner*—Antoine Duval Davis

### Related U.S. Application Data

- [63] Continuation-in-part of application No. 09/148,335, Sep. 4, 1998, Pat. No. 6,021,771.
- [51] **LOC (7) Cl.** ..... **15-09**
- [52] **U.S. Cl.** ..... **D15/140**
- [58] **Field of Search** ..... D15/124, 140; 125/5; 299/41.1, 107; 451/485

### References Cited

#### U.S. PATENT DOCUMENTS

2,099,207	11/1937	Hill et al. ....	451/485
2,340,018	1/1944	Rickrode .....	451/485
4,634,188	1/1987	Persson .....	125/5

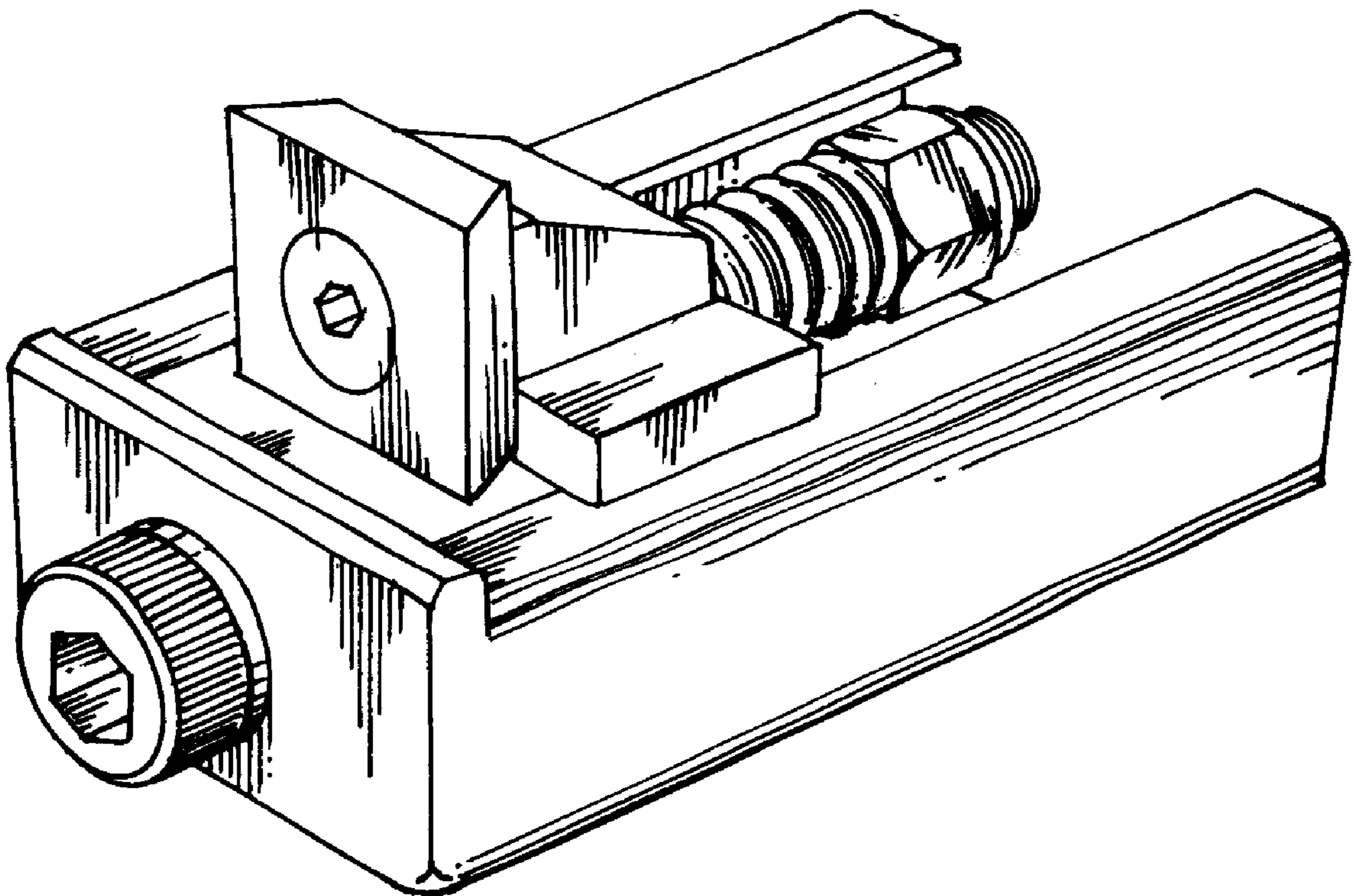
### [57] CLAIM

The ornamental design for a grinder blade assembly, as shown and described.

### DESCRIPTION

FIG. 1 is a right-front perspective view of the grinder blade assembly design of the present invention; FIG. 2 is a front elevational view of the grinder blade assembly design of FIG. 1; FIG. 3 is a right side elevational view of the grinder blade assembly design of FIG. 1; FIG. 4 is a rear elevational view of the grinder blade assembly design of FIG. 1; and, FIG. 5 is a top plan view of the grinder blade assembly design of FIG. 1. The left side view is identical to the right side view of FIG. 3 and the bottom is flat and unornamental.

**1 Claim, 2 Drawing Sheets**



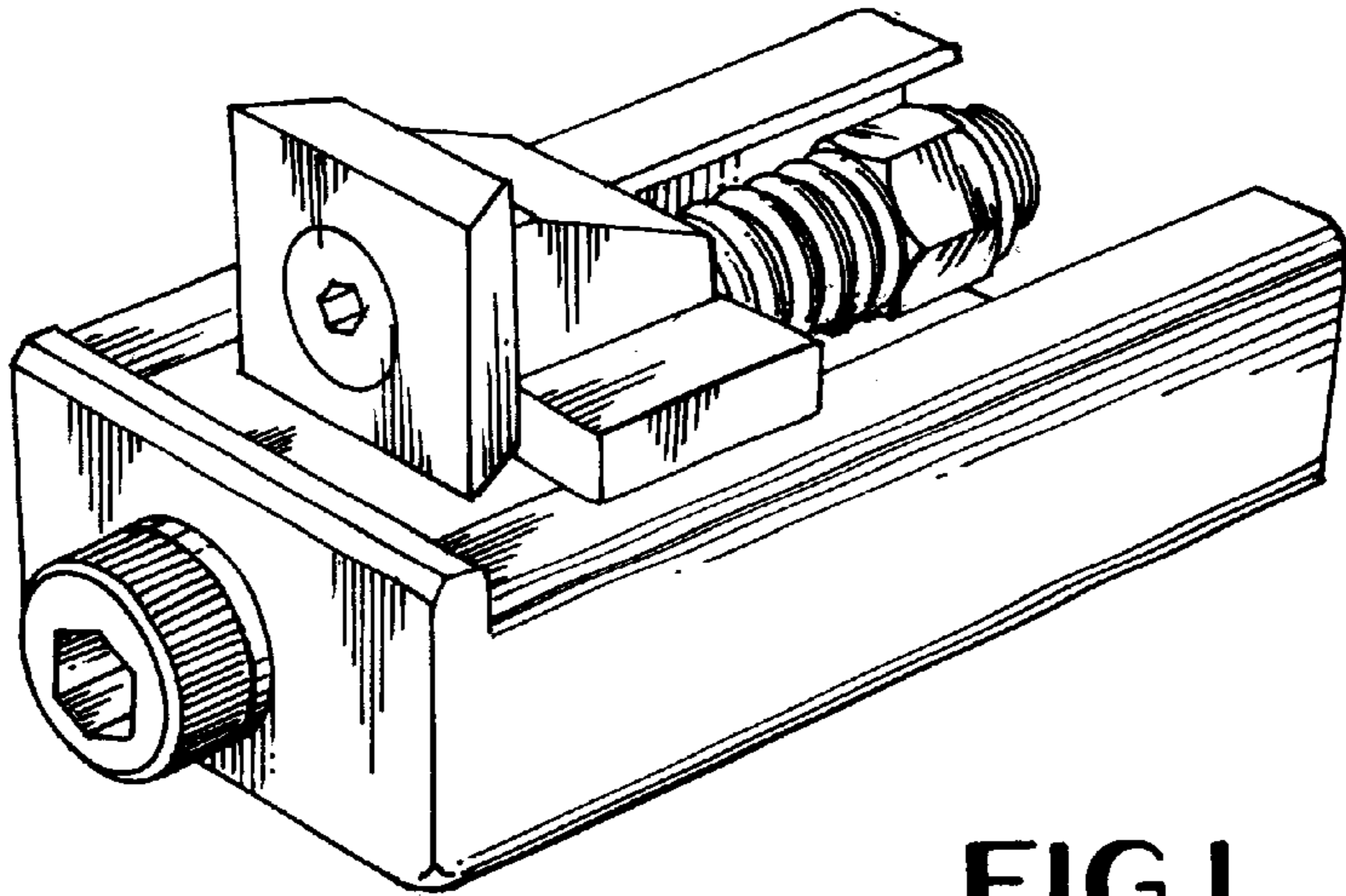


FIG. 1

FIG. 2

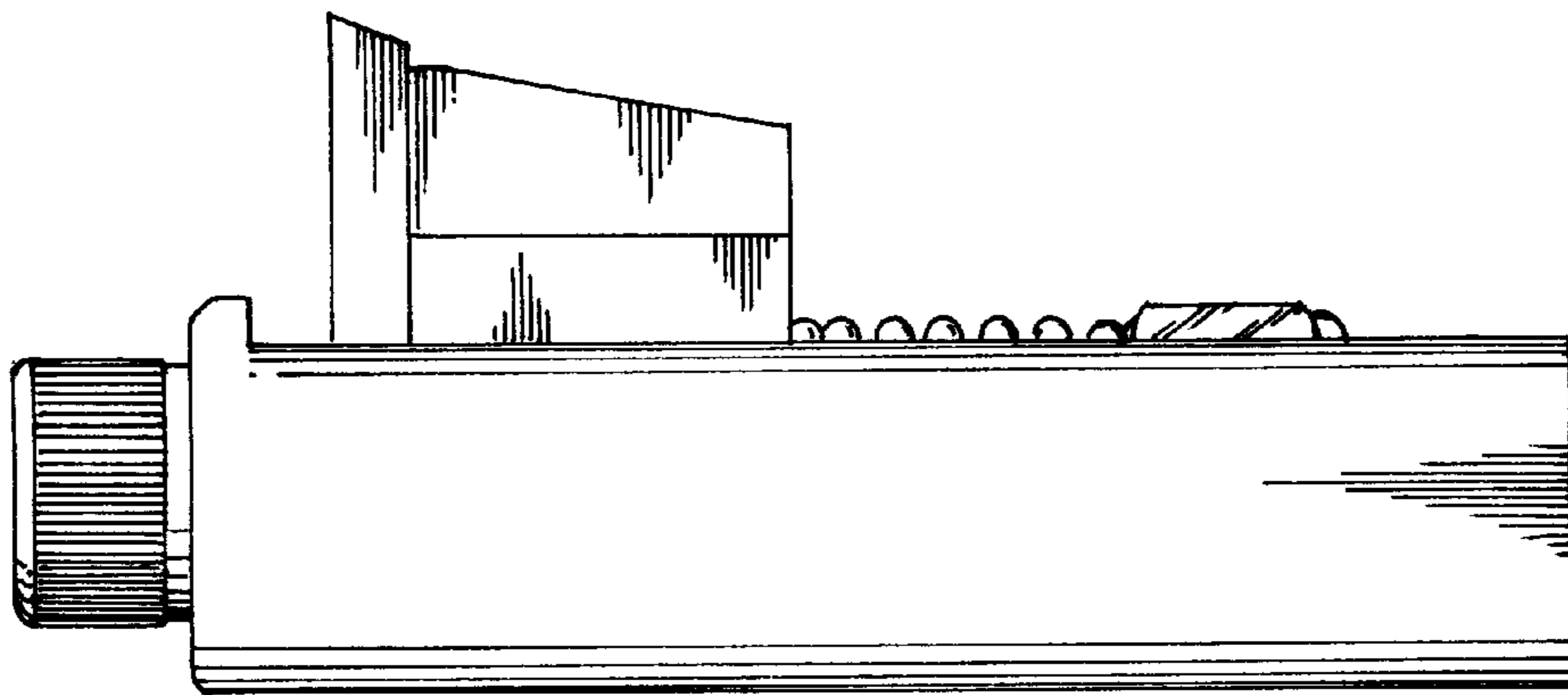
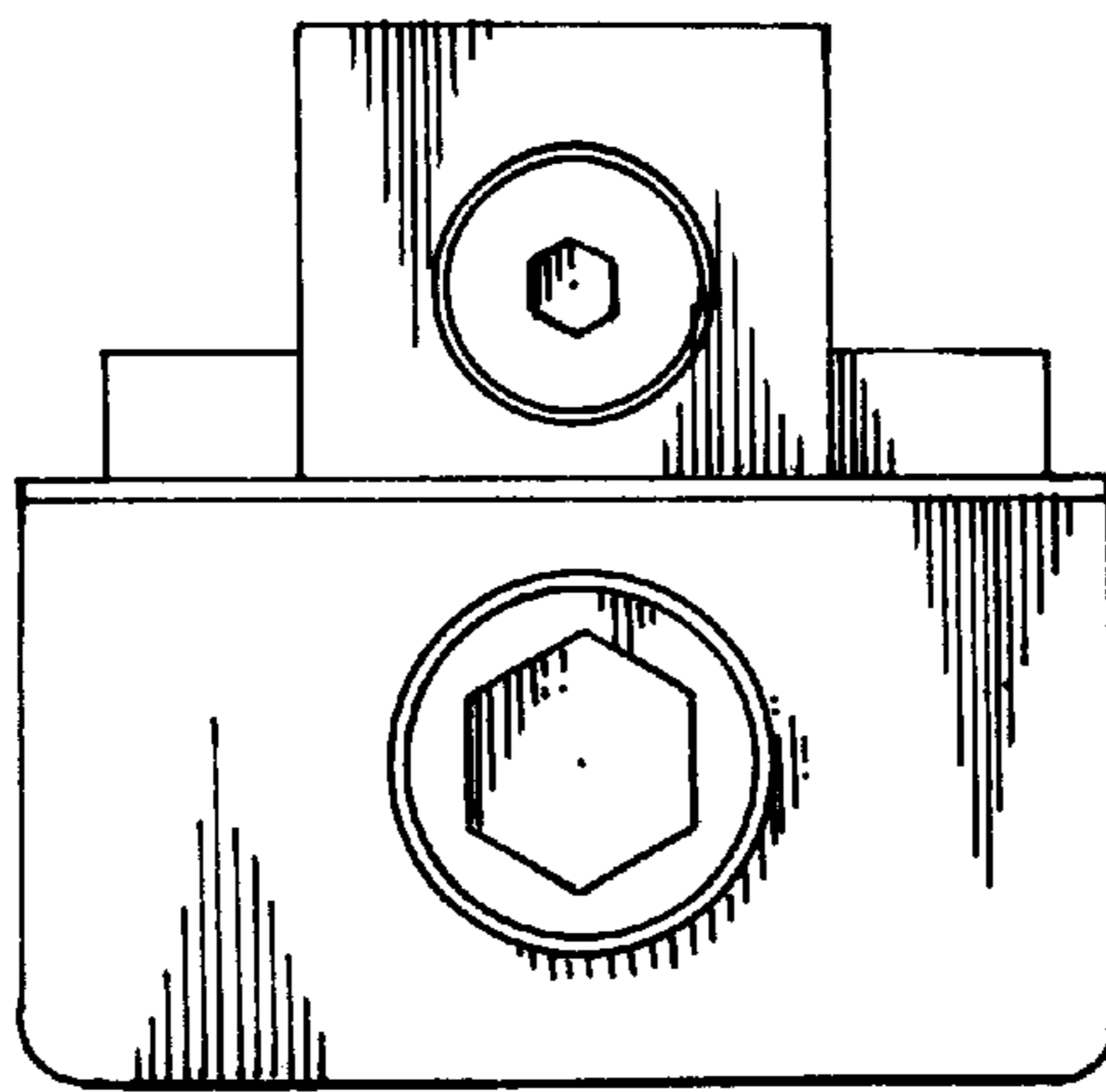


FIG. 3

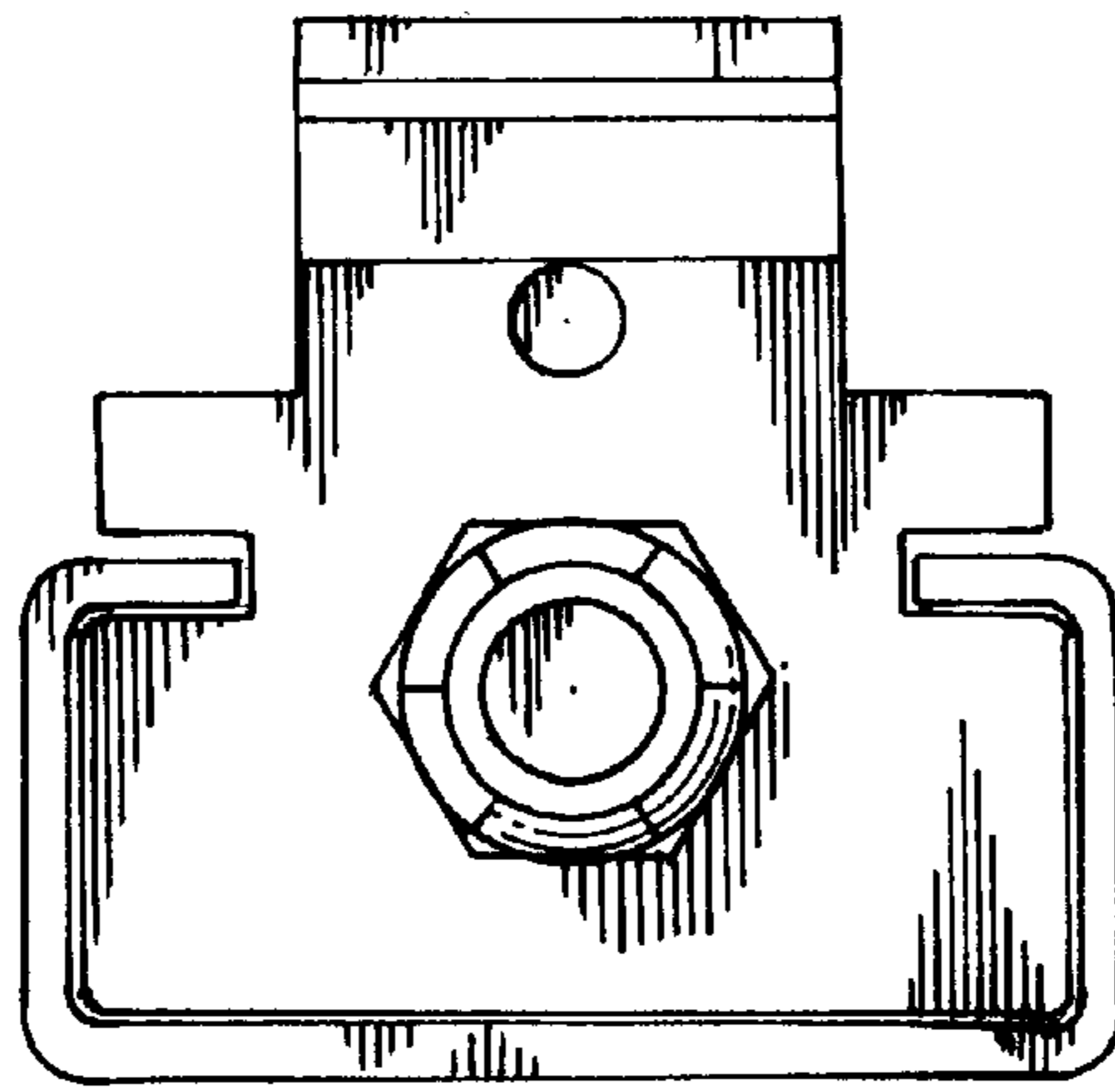


FIG. 4

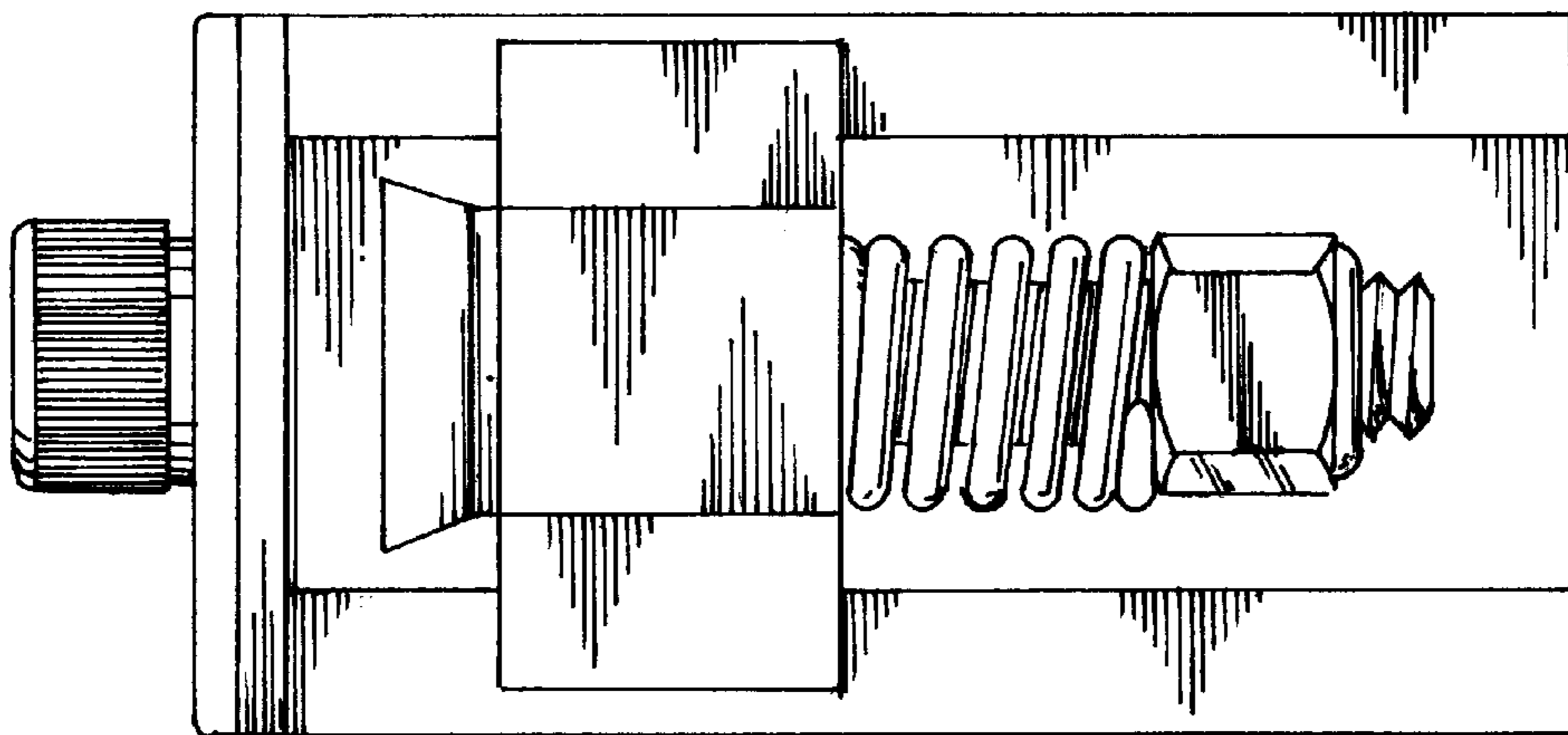


FIG. 5