



US00D434049S

United States Patent [19] Brazell

[11] Patent Number: **Des. 434,049**

[45] Date of Patent: **** Nov. 21, 2000**

[54] **BAND SAW**

[75] Inventor: **Kenneth M. Brazell**, Phoenix, Ariz.

[73] Assignee: **Ryobi North America, Inc.**, Anderson, S.C.

[**] Term: **14 Years**

[21] Appl. No.: **29/103,305**

[22] Filed: **Apr. 13, 1999**

[51] **LOC (7) Cl.** **15-09**

[52] **U.S. Cl.** **D15/134**

[58] **Field of Search** D15/134; 83/814-819, 83/72, 76.7

[56] **References Cited**

U.S. PATENT DOCUMENTS

- D. 185,061 5/1959 Brannan D15/134
- D. 286,537 11/1986 Yamamoto .
- D. 336,653 6/1993 Baird et al. .

- D. 389,495 1/1998 Chung .
- D. 395,438 6/1998 Armstrong .
- 4,491,047 1/1985 Butkiewicz et al. .
- 4,882,962 11/1989 Terpstra et al. .
- 5,345,850 9/1994 Neitzell .
- 5,802,939 9/1998 Wiand et al. .

Primary Examiner—Antoine Duval Davis
Attorney, Agent, or Firm—Brooks & Kushman P.C.

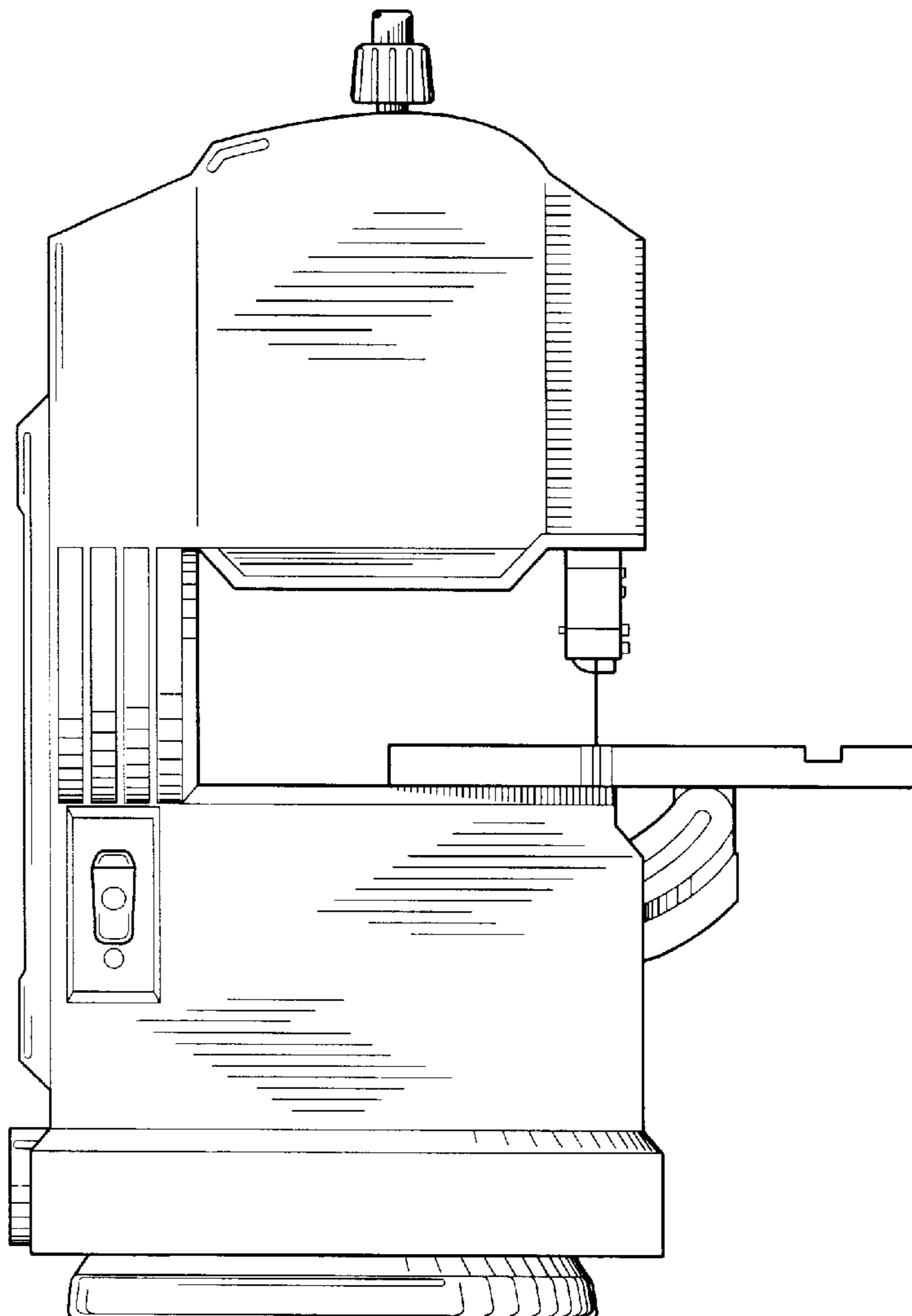
[57] **CLAIM**

The ornamental design for a band saw, as shown and described.

DESCRIPTION

FIG. 1 is an upper front side view of the band saw; FIG. 2 is a rear side perspective view; FIG. 3 is a right end view; FIG. 4 is a left end view; FIG. 5 is a top plan view; and, FIG. 6 is a bottom plan view.

1 Claim, 3 Drawing Sheets



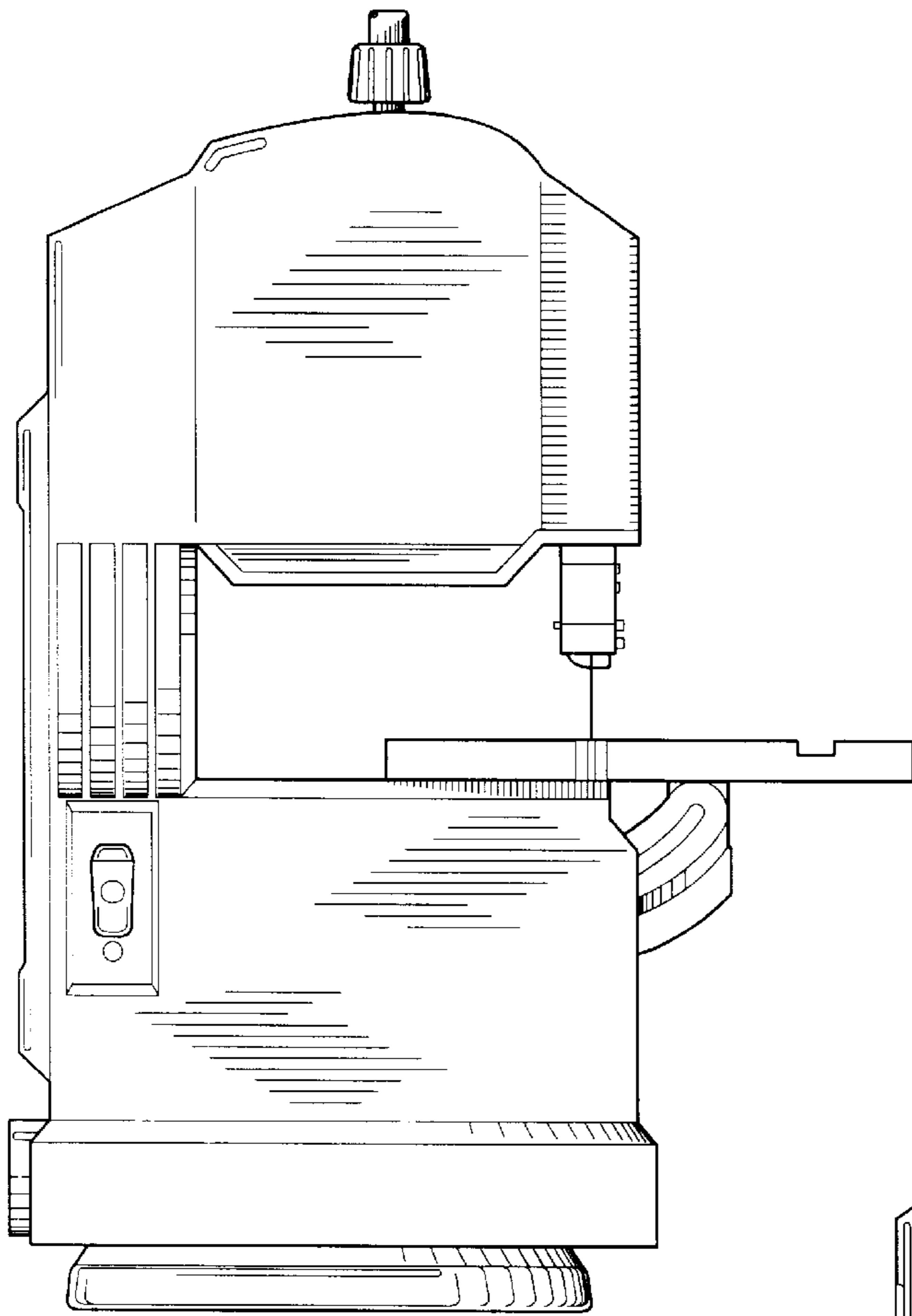


FIG. - 1

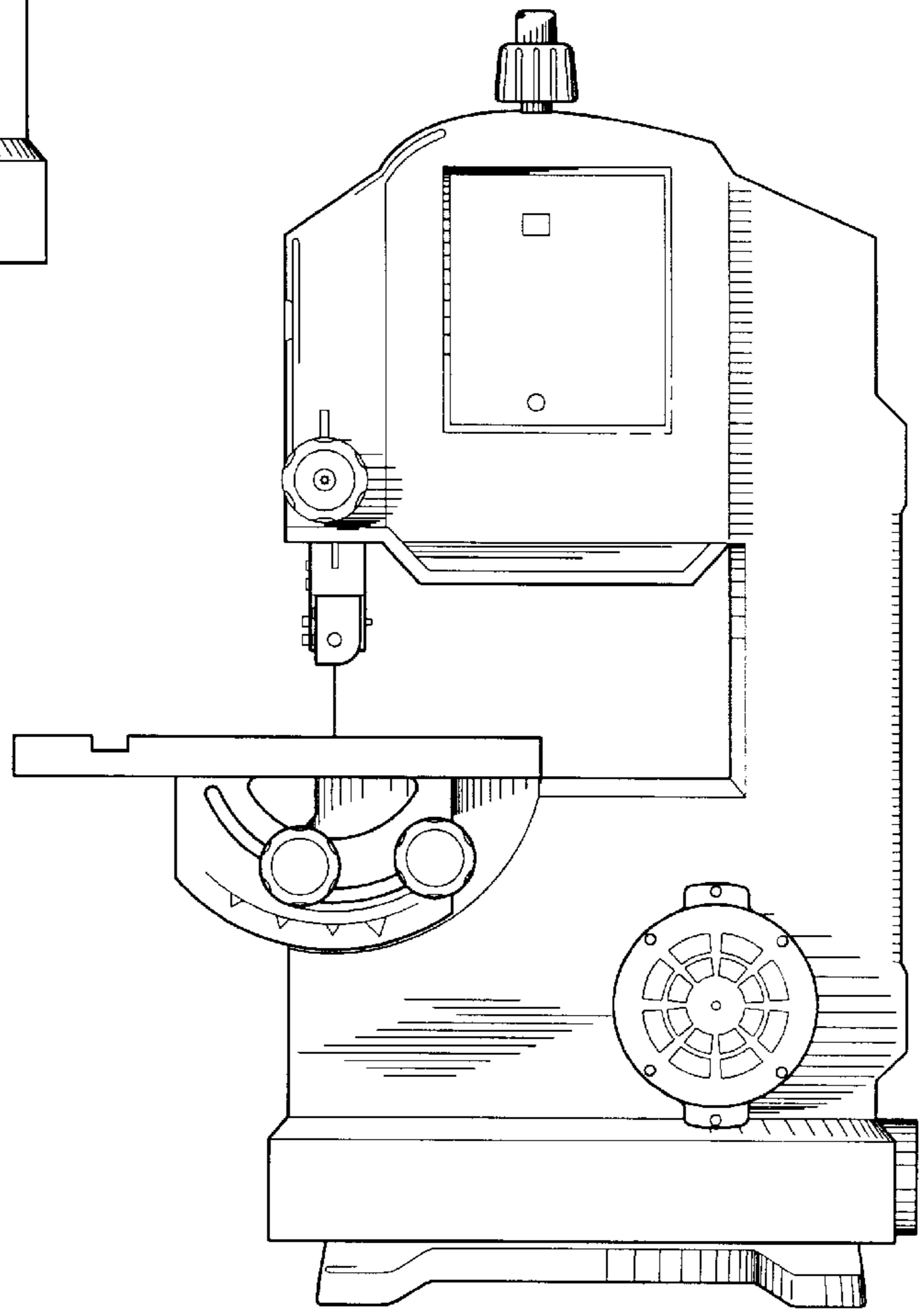


FIG. - 2

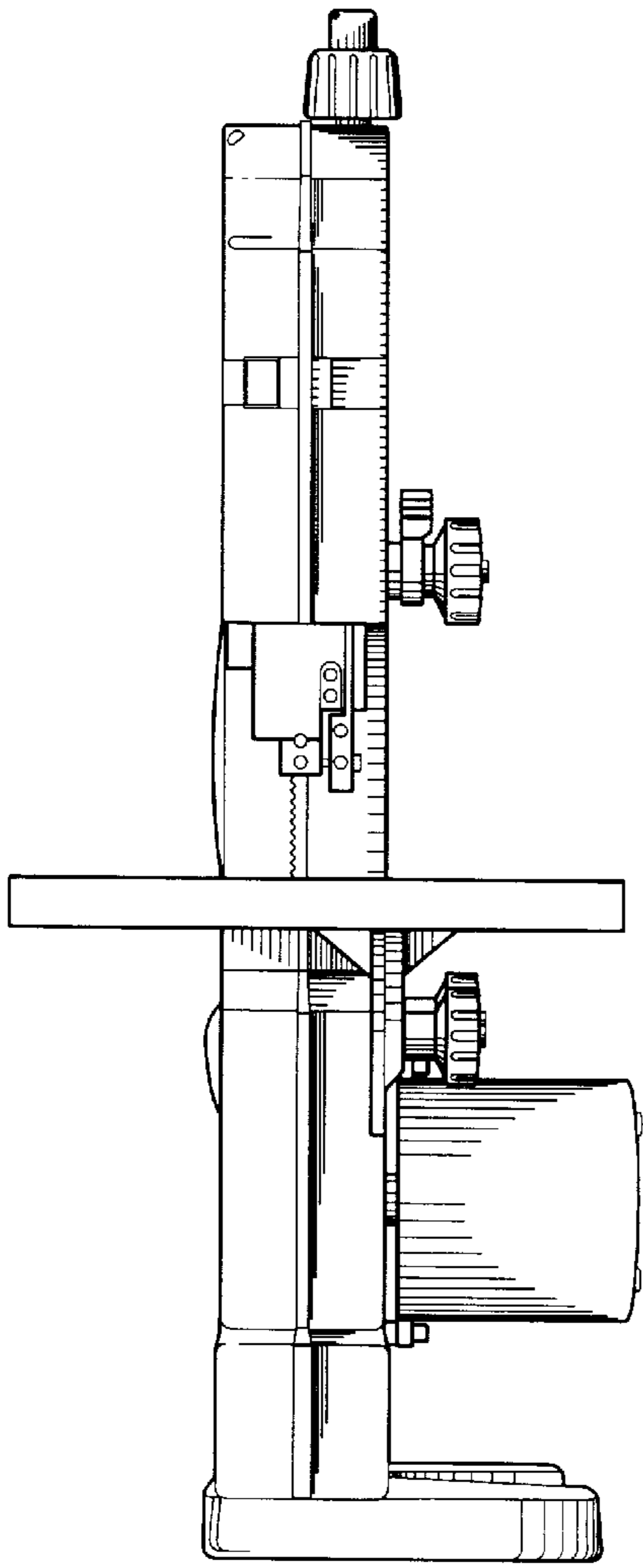


FIG. - 3

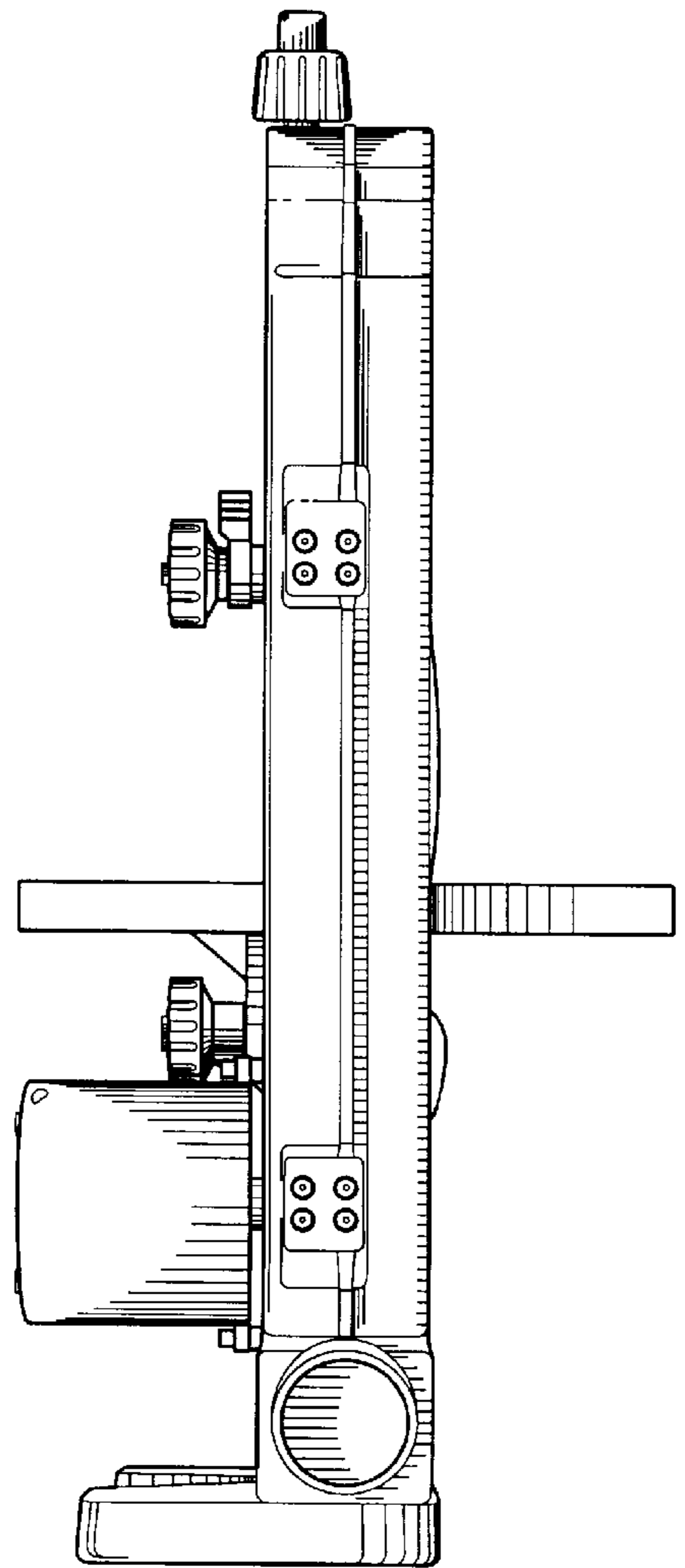


FIG. - 4

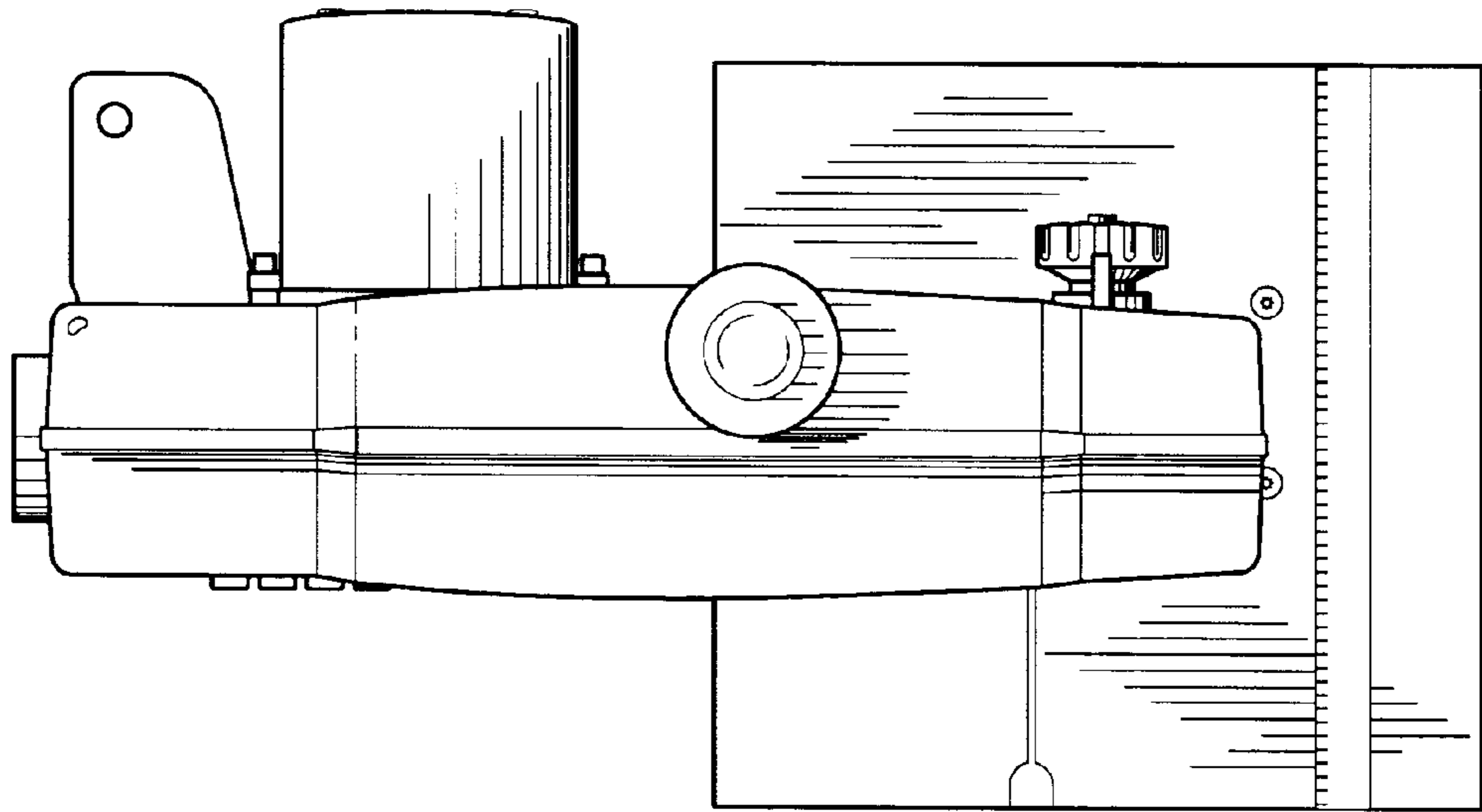


FIG. - 5

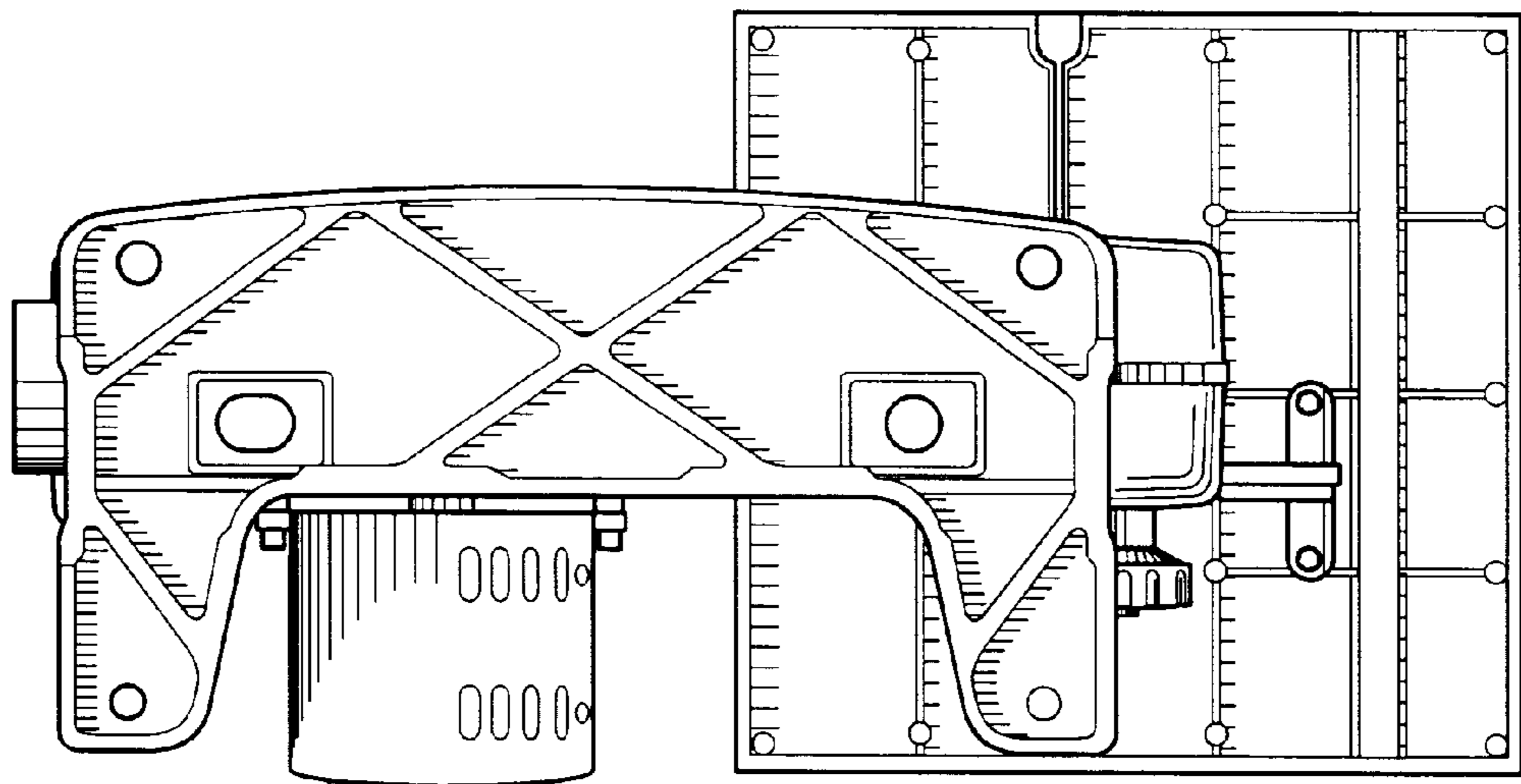


FIG. - 6