



US00D434045S

# United States Patent [19] Nakamura

[11] Patent Number: **Des. 434,045**

[45] Date of Patent: **\*\* Nov. 21, 2000**

[54] **FACSIMILE MACHINE**

[75] Inventor: **Masahiro Nakamura**, Osaka-fu, Japan

[73] Assignee: **Sharp Kabushiki Kaisha**, Osaka, Japan

[\*\*] Term: **14 Years**

[21] Appl. No.: **29/103,820**

[22] Filed: **Apr. 22, 1999**

[30] **Foreign Application Priority Data**

Oct. 23, 1998 [JP] Japan ..... 10-30831

[51] **LOC (7) Cl.** ..... **16-03**

[52] **U.S. Cl.** ..... **D14/466**

[58] **Field of Search** ..... D14/462-471,  
D14/496; 358/400, 401; D18/36, 37, 50

[56] **References Cited**

**U.S. PATENT DOCUMENTS**

- D. 332,094 12/1992 Sawada et al. .
- D. 339,333 9/1993 Sawada et al. .
- D. 355,178 2/1995 Sawada et al. .
- D. 355,179 2/1995 Sawada et al. .
- D. 357,677 4/1995 Sawada et al. .... D14/467
- D. 361,994 9/1995 Sawada et al. .

- D. 363,713 10/1995 Kanari et al. .... D14/468
- D. 368,259 3/1996 Bishop et al. .... D14/468
- D. 376,793 12/1996 Satoh et al. .
- D. 383,742 9/1997 Sawada et al. .
- D. 385,266 10/1997 Matsushima .
- D. 386,490 11/1997 Fujimoto ..... D14/468
- D. 407,083 3/1999 Yamamizu .
- D. 411,531 6/1999 Hatanaka ..... D14/468
- 5,172,243 12/1992 Hayashi et al. .... 358/400
- 5,337,165 8/1994 Rioussel et al. .... 358/401 X

*Primary Examiner*—Prabhakar Deshmukh  
*Attorney, Agent, or Firm*—Nixon & Vanderhye

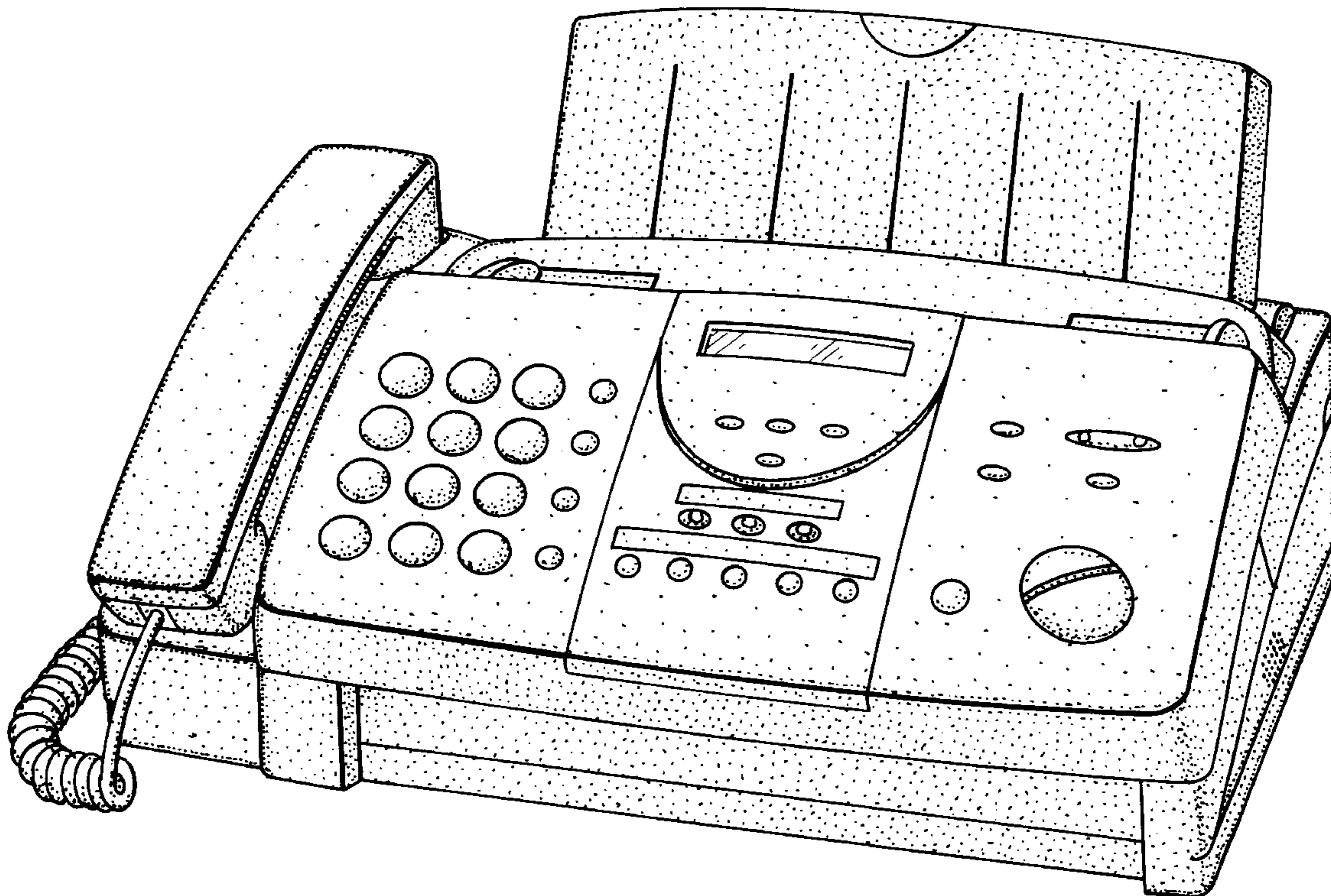
[57] **CLAIM**

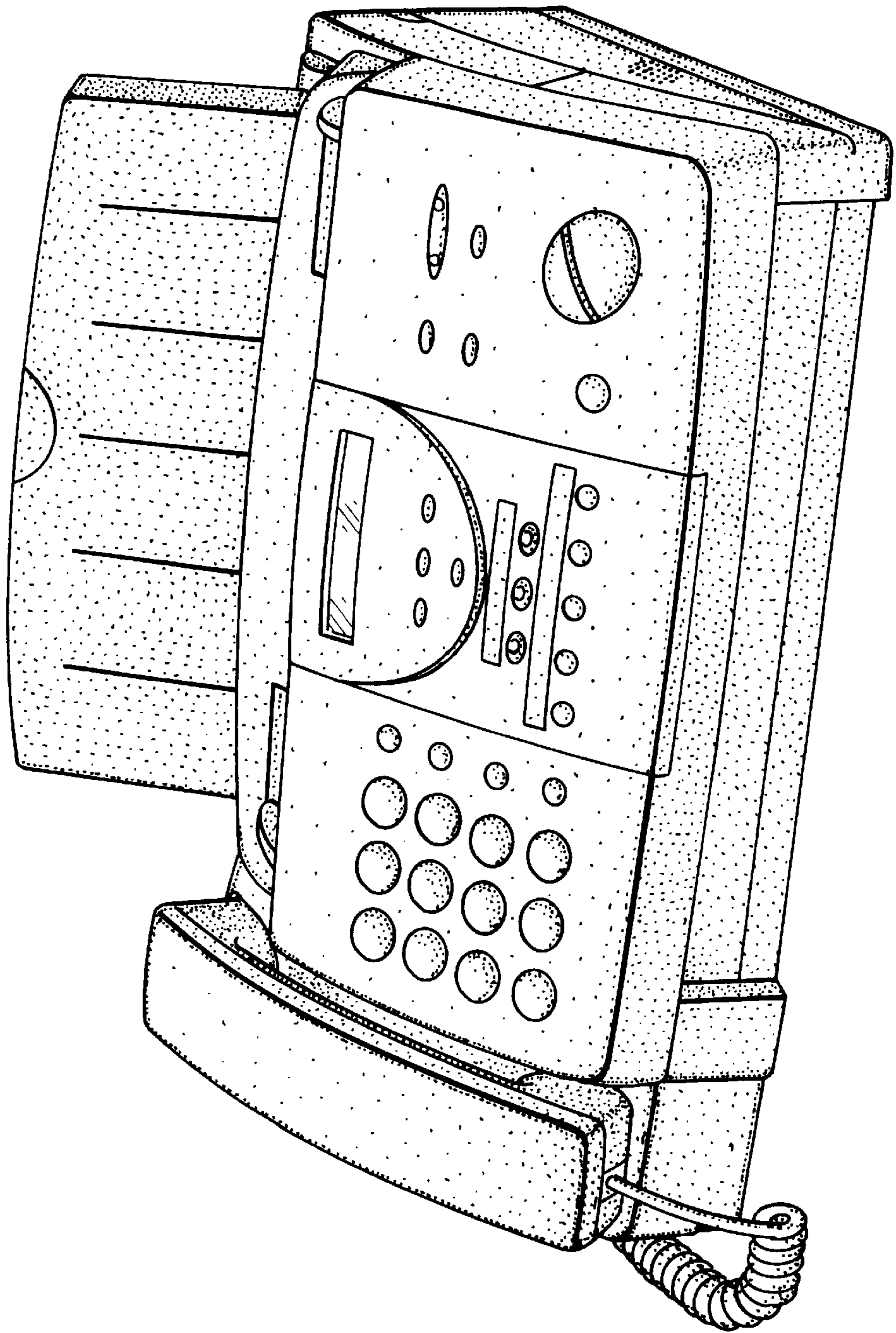
The ornamental design for a facsimile machine, as shown and described.

**DESCRIPTION**

FIG. 1 is a top, front and right side perspective view of a facsimile machine according to my design;  
FIG. 2 is a top plan view thereof;  
FIG. 3 is a front elevational view thereof;  
FIG. 4 is a right side elevational view thereof;  
FIG. 5 is a left side elevational view thereof;  
FIG. 6 is a rear elevational view thereof; and,  
FIG. 7 is a bottom plan view thereof.

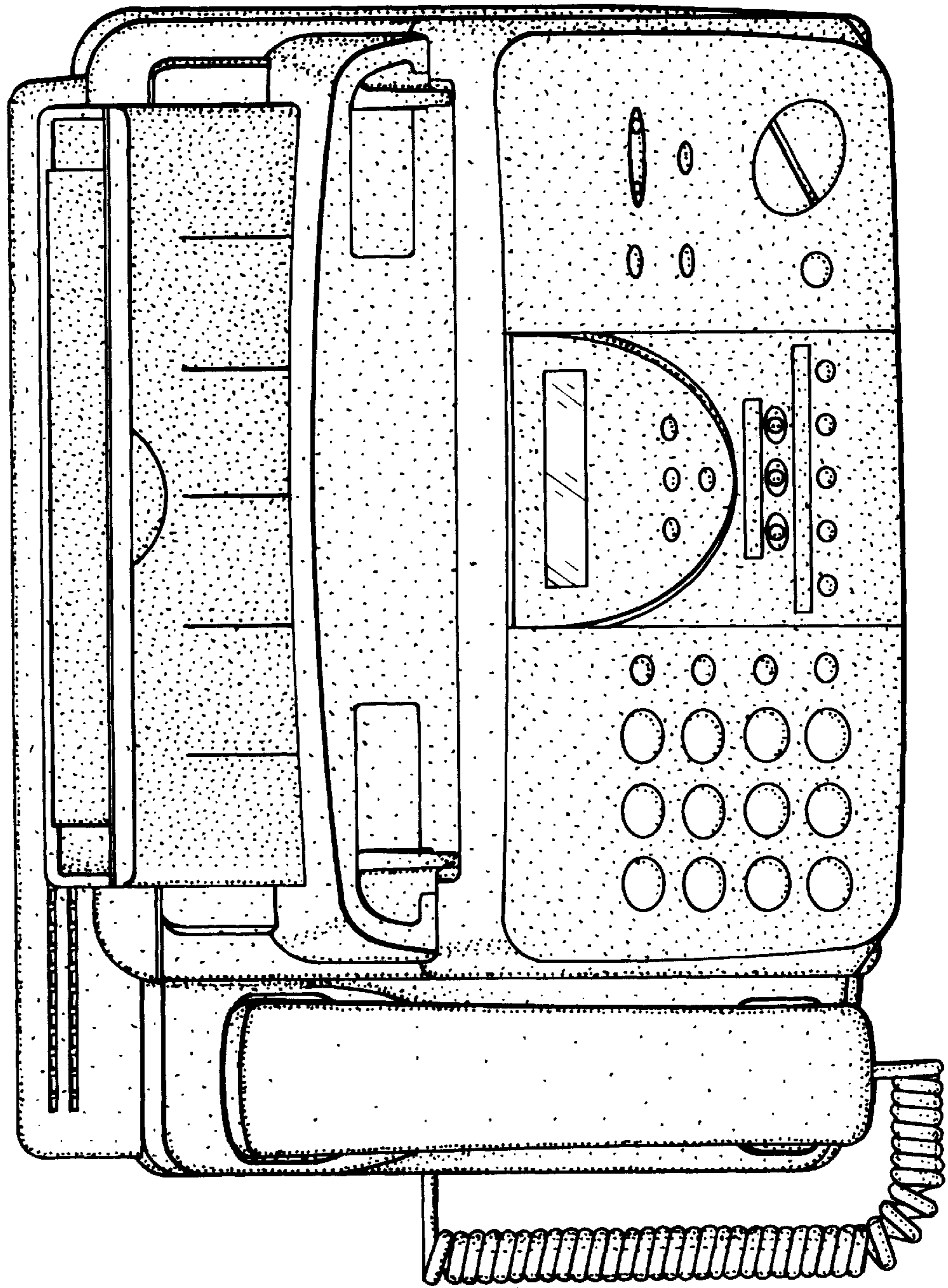
**1 Claim, 6 Drawing Sheets**



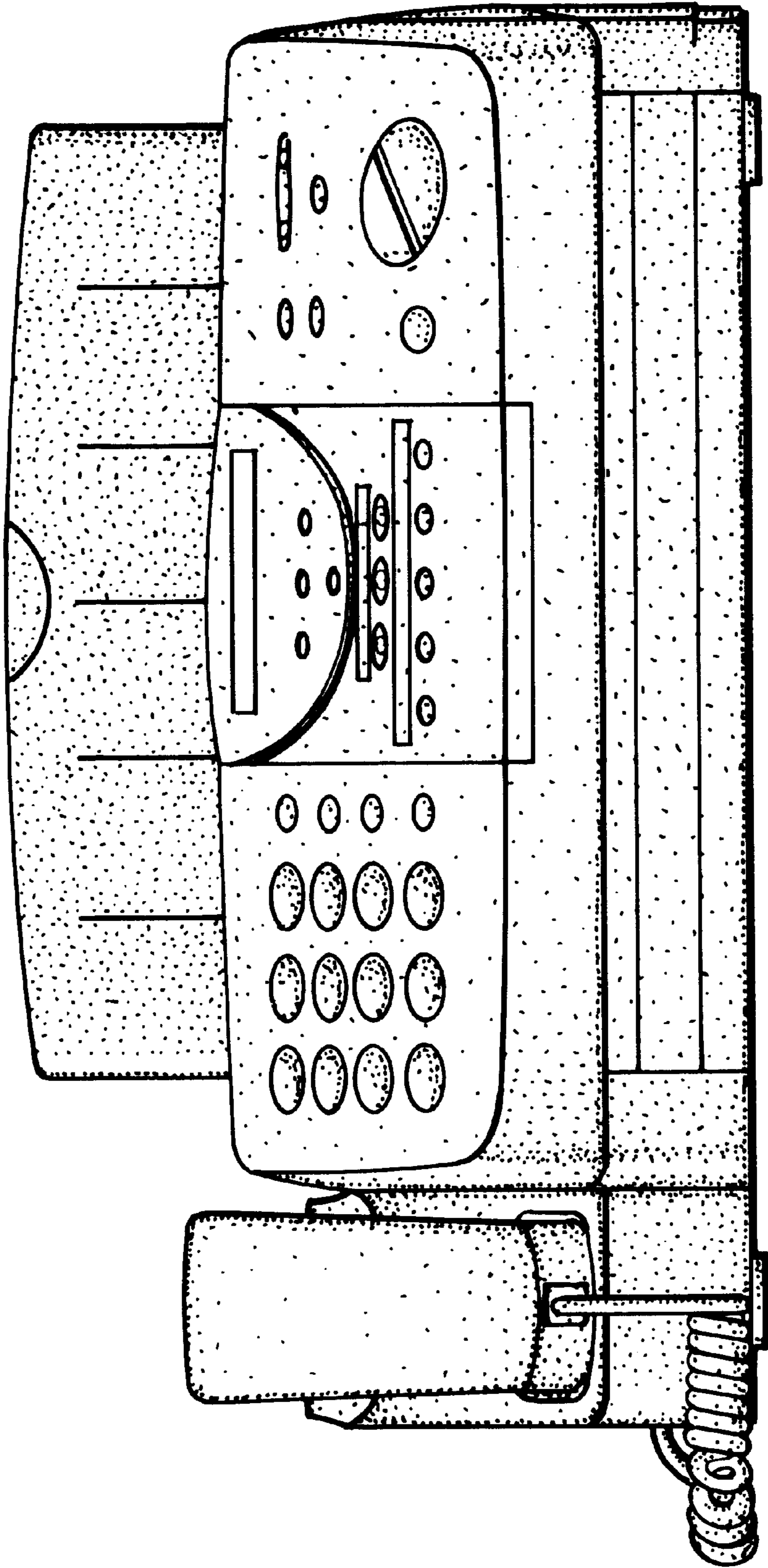


**FIG. 1**

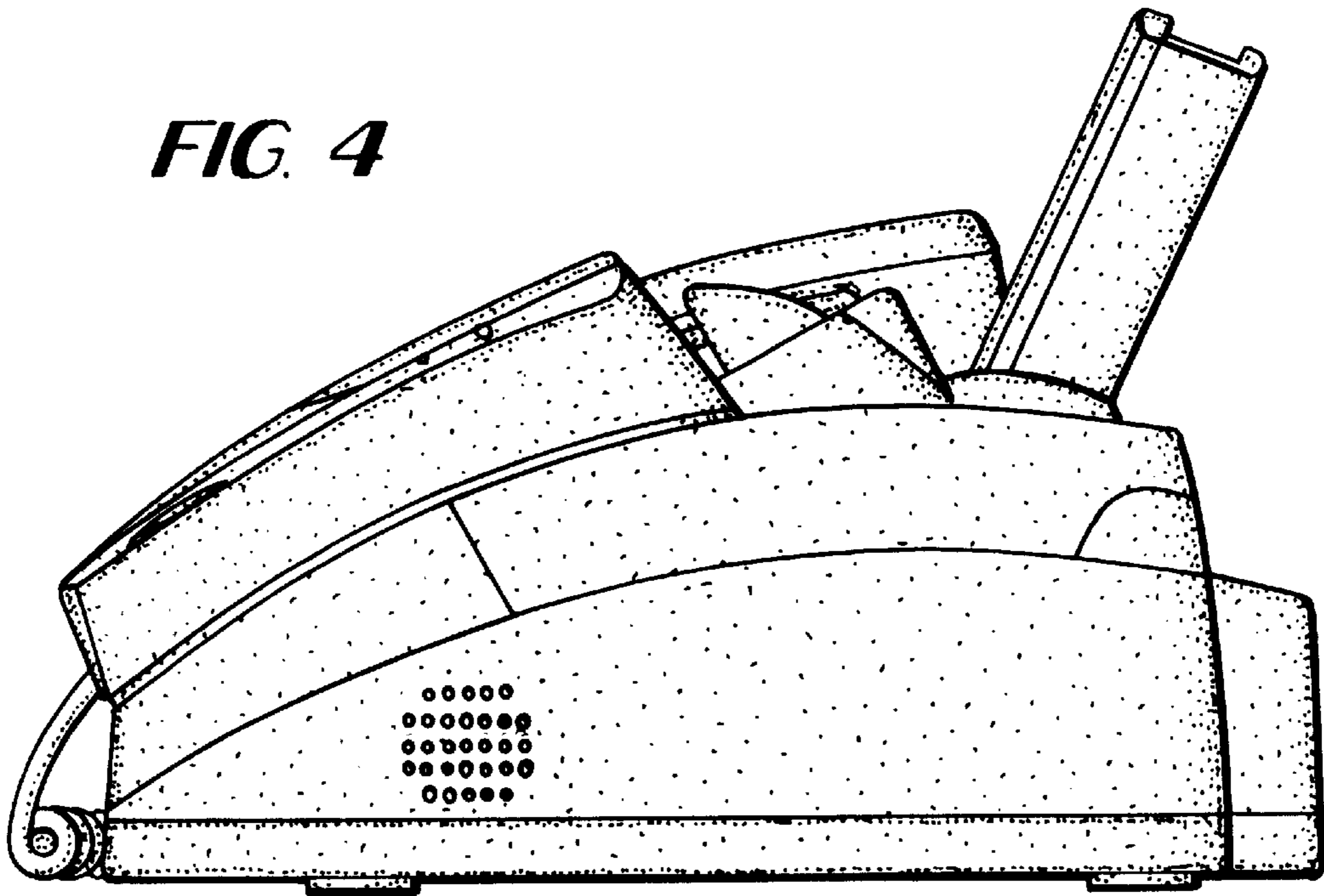
FIG. 2



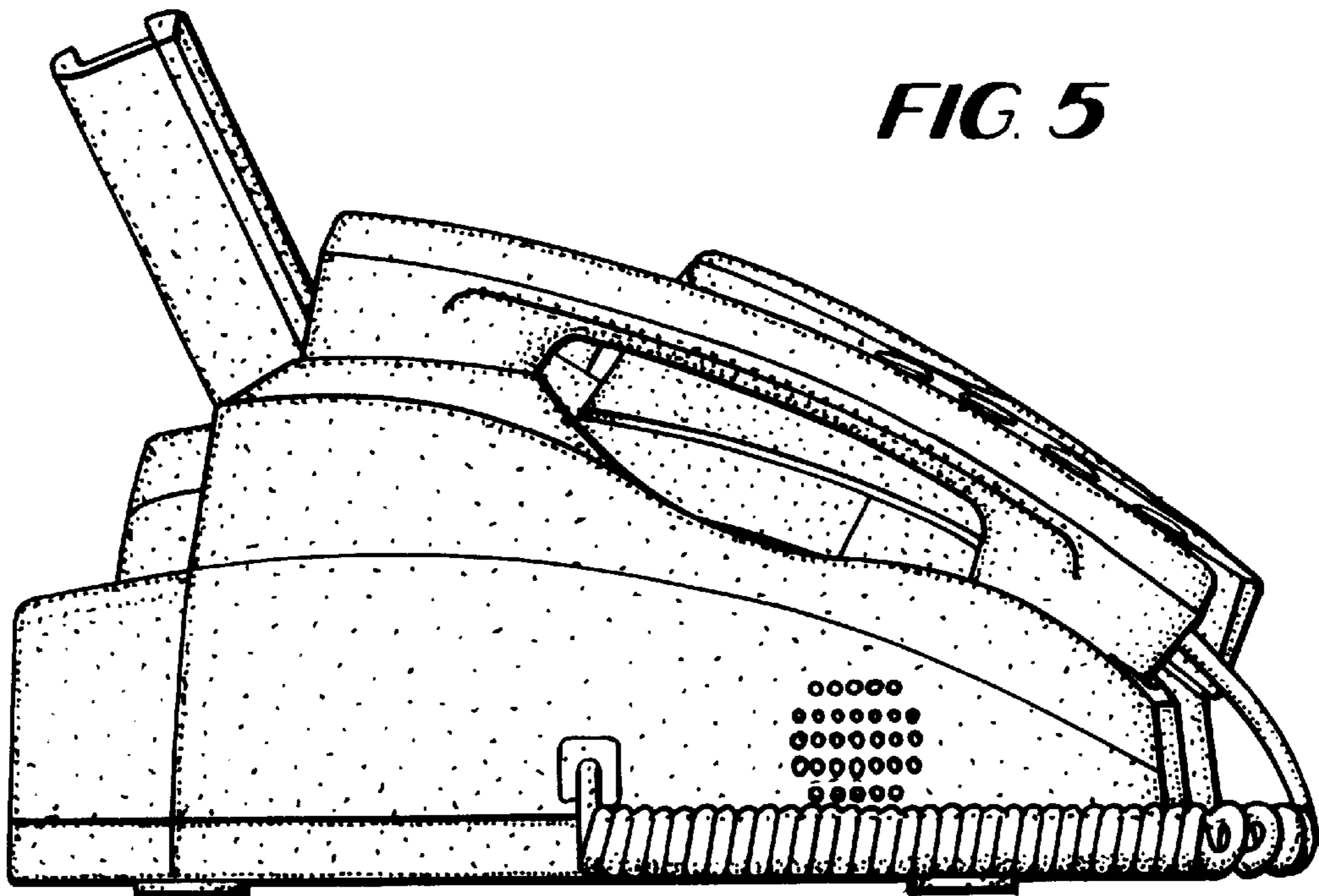
**FIG. 3**



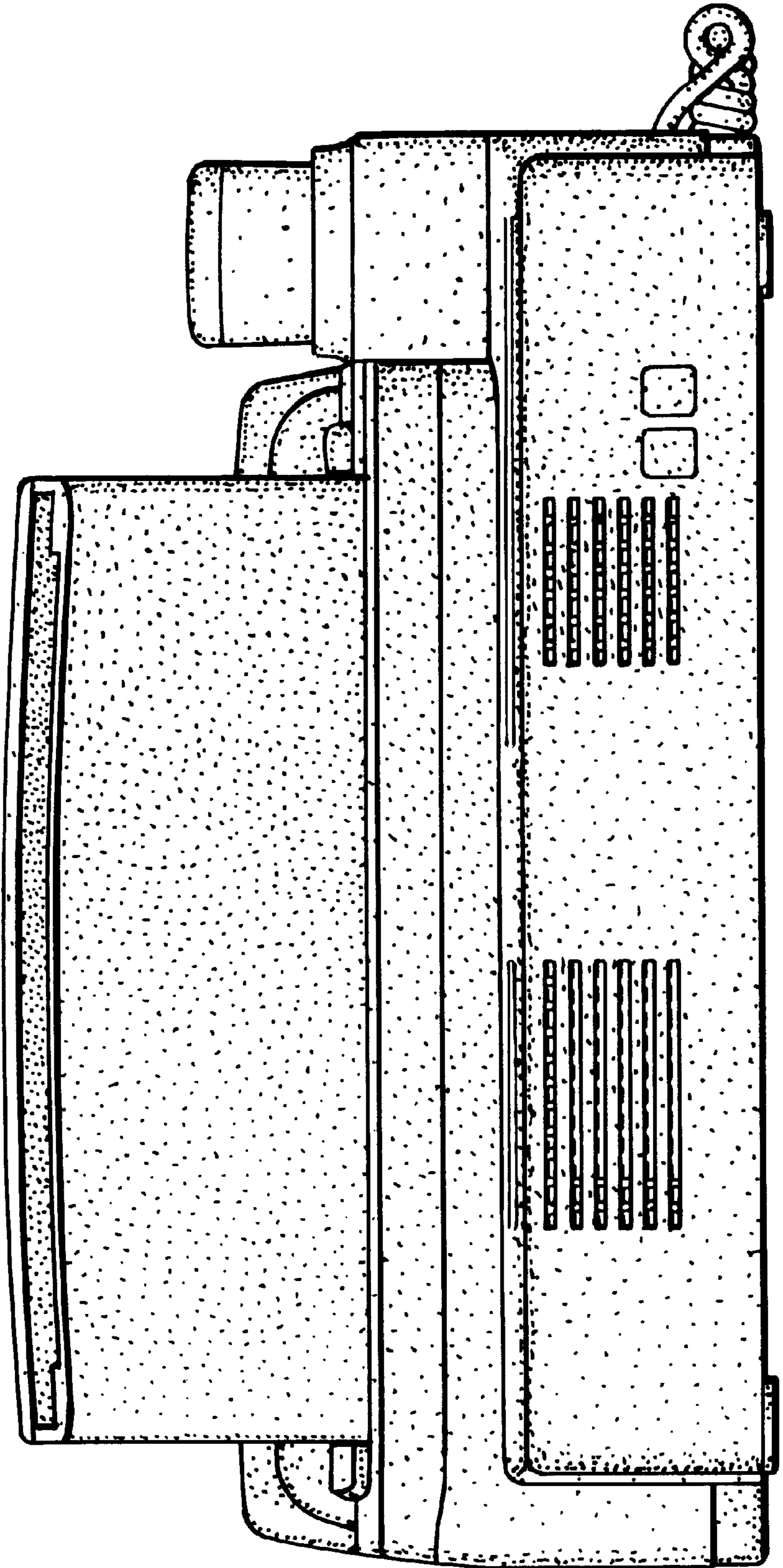
**FIG. 4**



**FIG. 5**



*FIG. 6*



*FIG. 7*

