



US00D434037S

# United States Patent [19] Chang

[11] Patent Number: **Des. 434,037**

[45] Date of Patent: **\*\* Nov. 21, 2000**

[54] **LCD MONITOR**

[75] Inventor: **Hsien-Chun Chang**, Taoyuan Hsien, Taiwan

[73] Assignee: **Acer Communications and Multimedia Inc.**, Taoyuan, Taiwan

[\*\*] Term: **14 Years**

[21] Appl. No.: **29/116,343**

[22] Filed: **Dec. 30, 1999**

[30] **Foreign Application Priority Data**

Nov. 16, 1999 [TW] Taiwan ..... 088307509

[51] **LOC (7) Cl.** ..... **14-02**

[52] **U.S. Cl.** ..... **D14/375**

[58] **Field of Search** ..... D14/371, 374, D14/375, 379, 124-129; 345/104, 133, 156, 168, 173; 348/180, 184, 325, 739; 248/917-924; 349/1, 2, 11, 62

[56] **References Cited**

**U.S. PATENT DOCUMENTS**

D. 391,934 3/1998 Uehara et al. .... D14/375

D. 398,911 9/1998 Lin ..... D14/375  
D. 401,575 11/1998 Chuo ..... D14/375  
D. 413,586 9/1999 Kondo ..... D14/375  
D. 413,870 9/1999 Kuo ..... D14/375

*Primary Examiner*—Freda Nunn  
*Attorney, Agent, or Firm*—Ladas & Parry

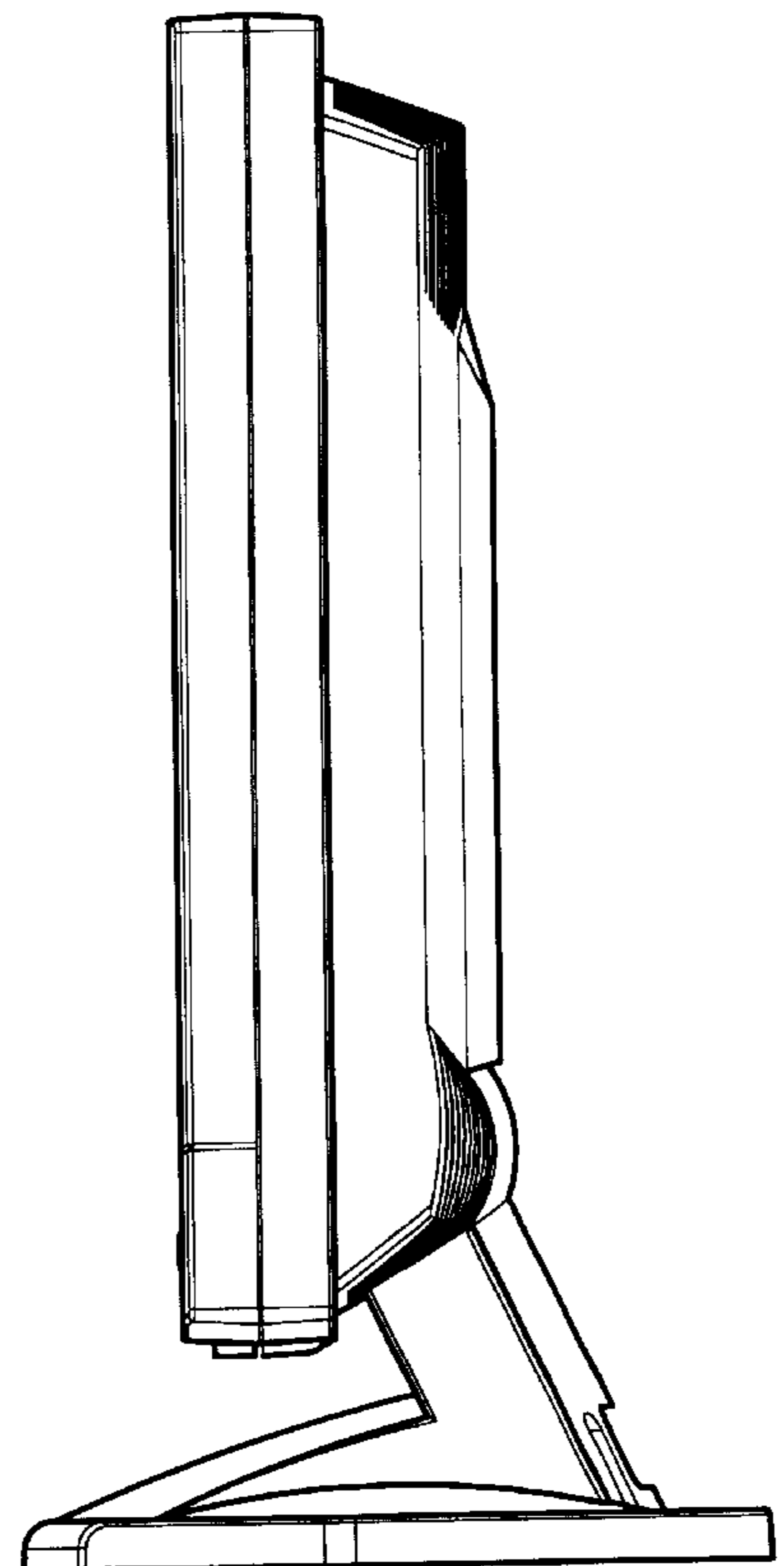
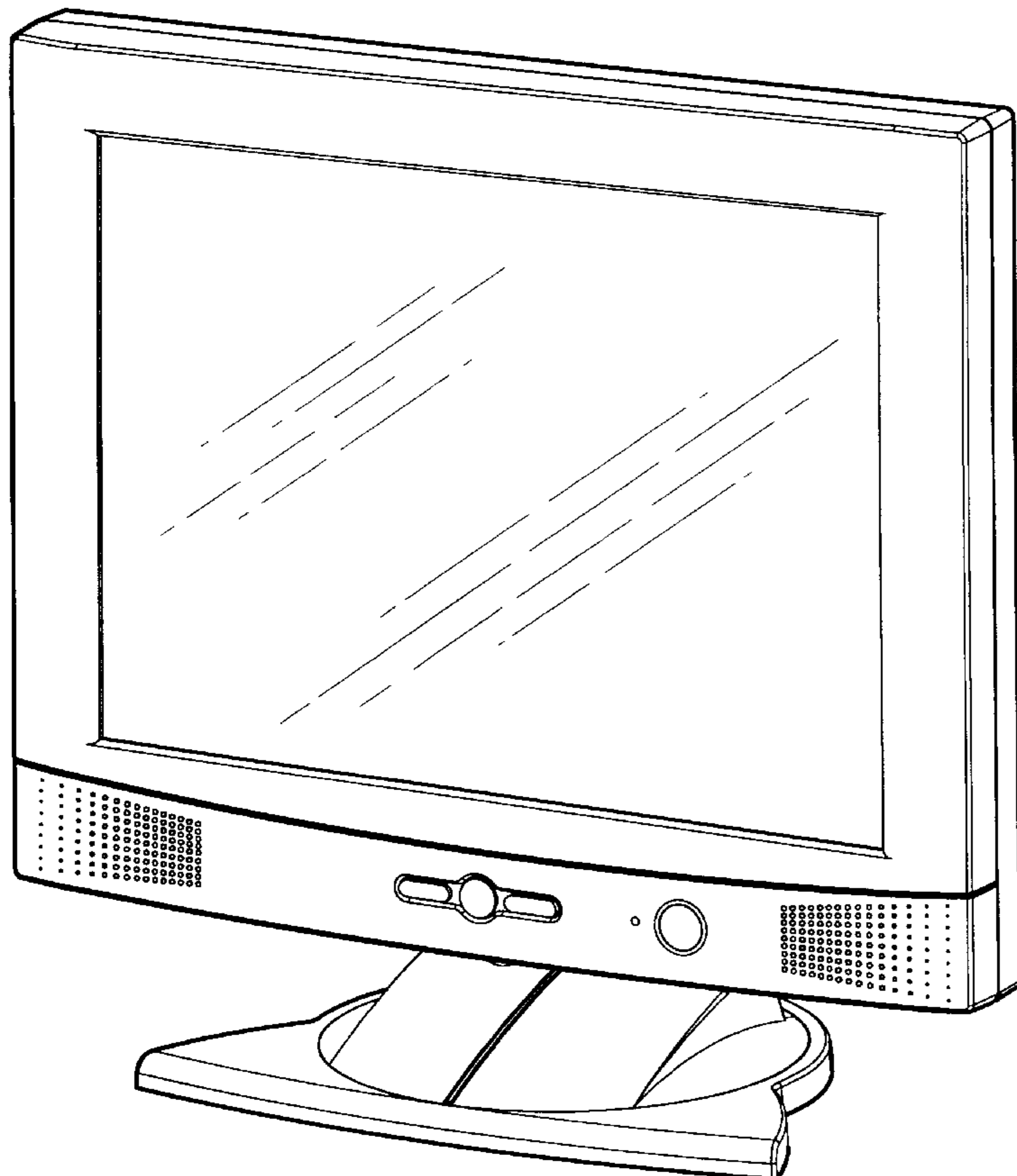
[57] **CLAIM**

The ornamental design for a LCD monitor, as shown and described.

**DESCRIPTION**

FIG. 1 is a perspective view of a LCD monitor showing my new design;  
FIG. 2 is a right side elevational view thereof;  
FIG. 3 is a top plan view thereof; and  
FIG. 4 is a front elevational view thereof;  
FIG. 5 is a bottom plan view thereof.  
FIG. 6 is a left side elevational view thereof; and,  
FIG. 7 is a rear elevational view thereof.

**1 Claim, 6 Drawing Sheets**



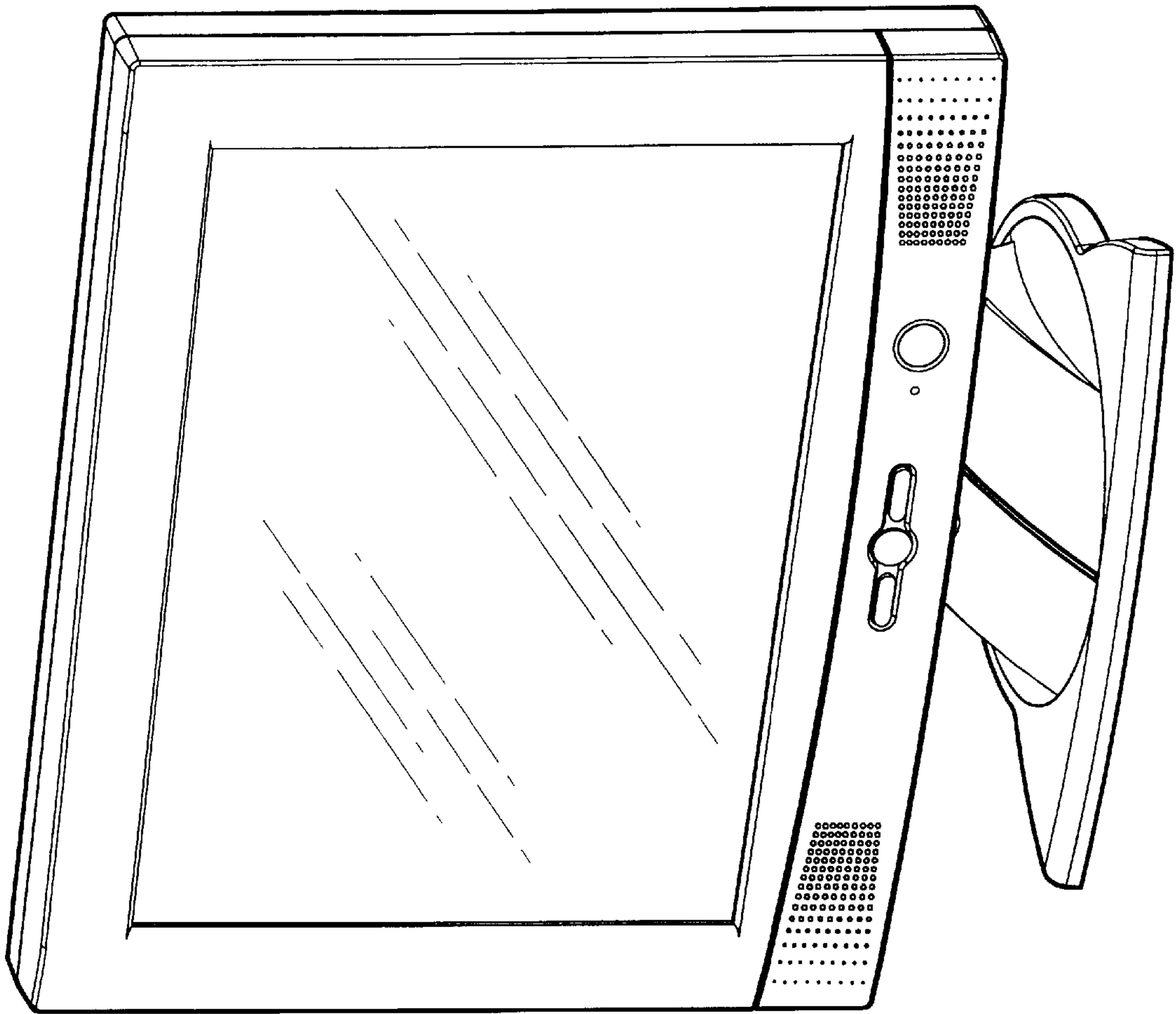


FIG. 1

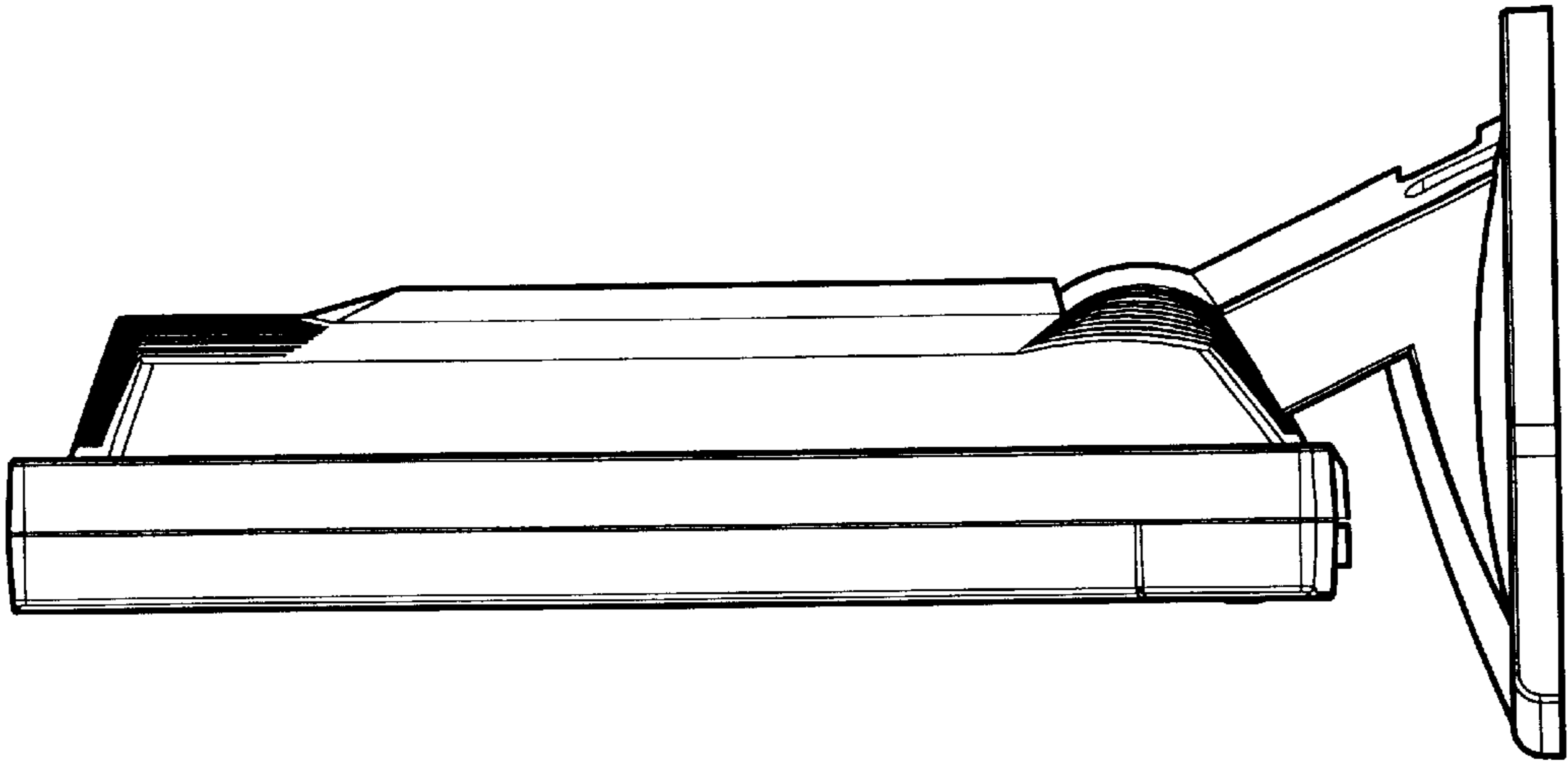


FIG. 2

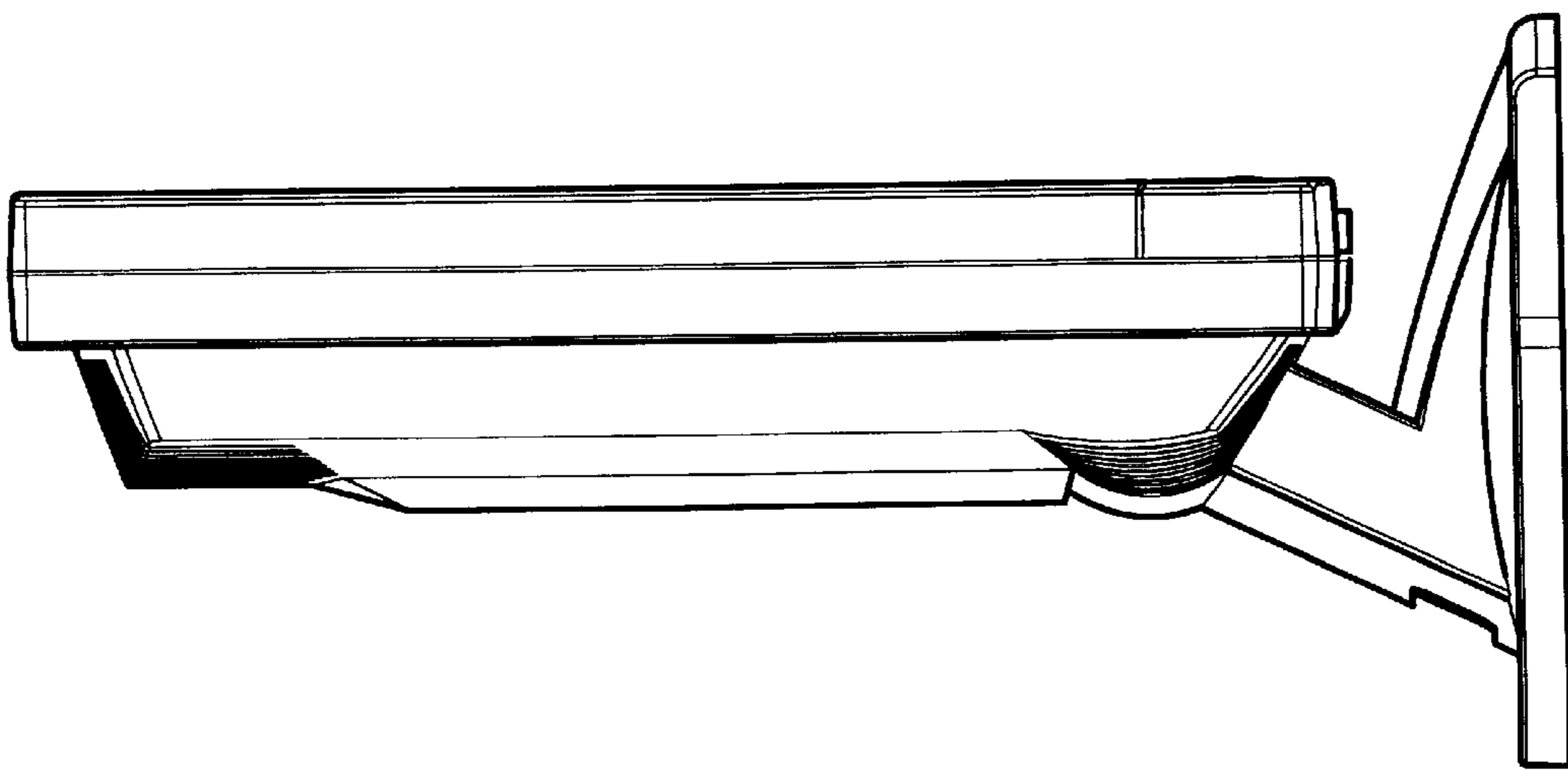


FIG. 6

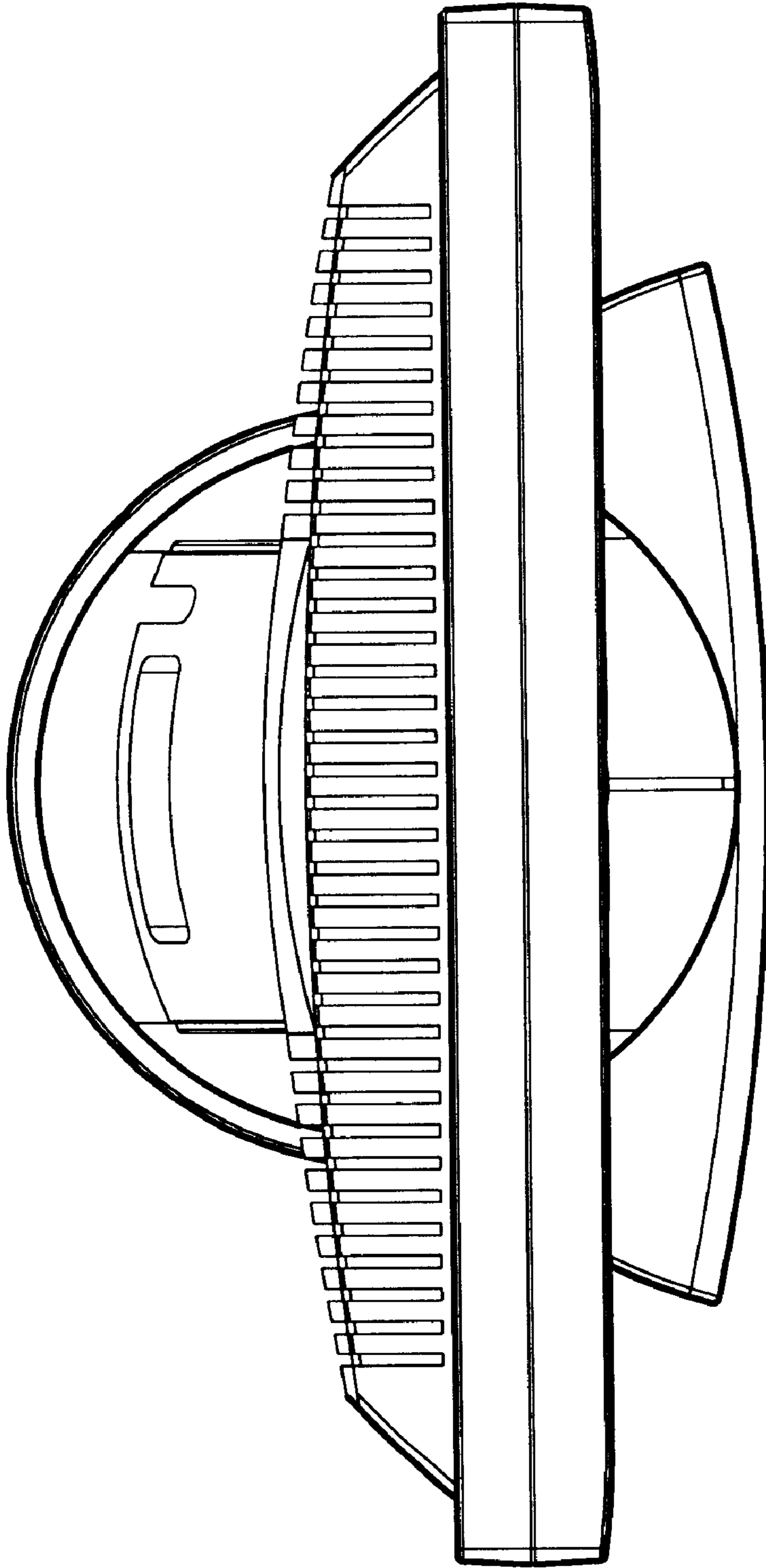


FIG. 3

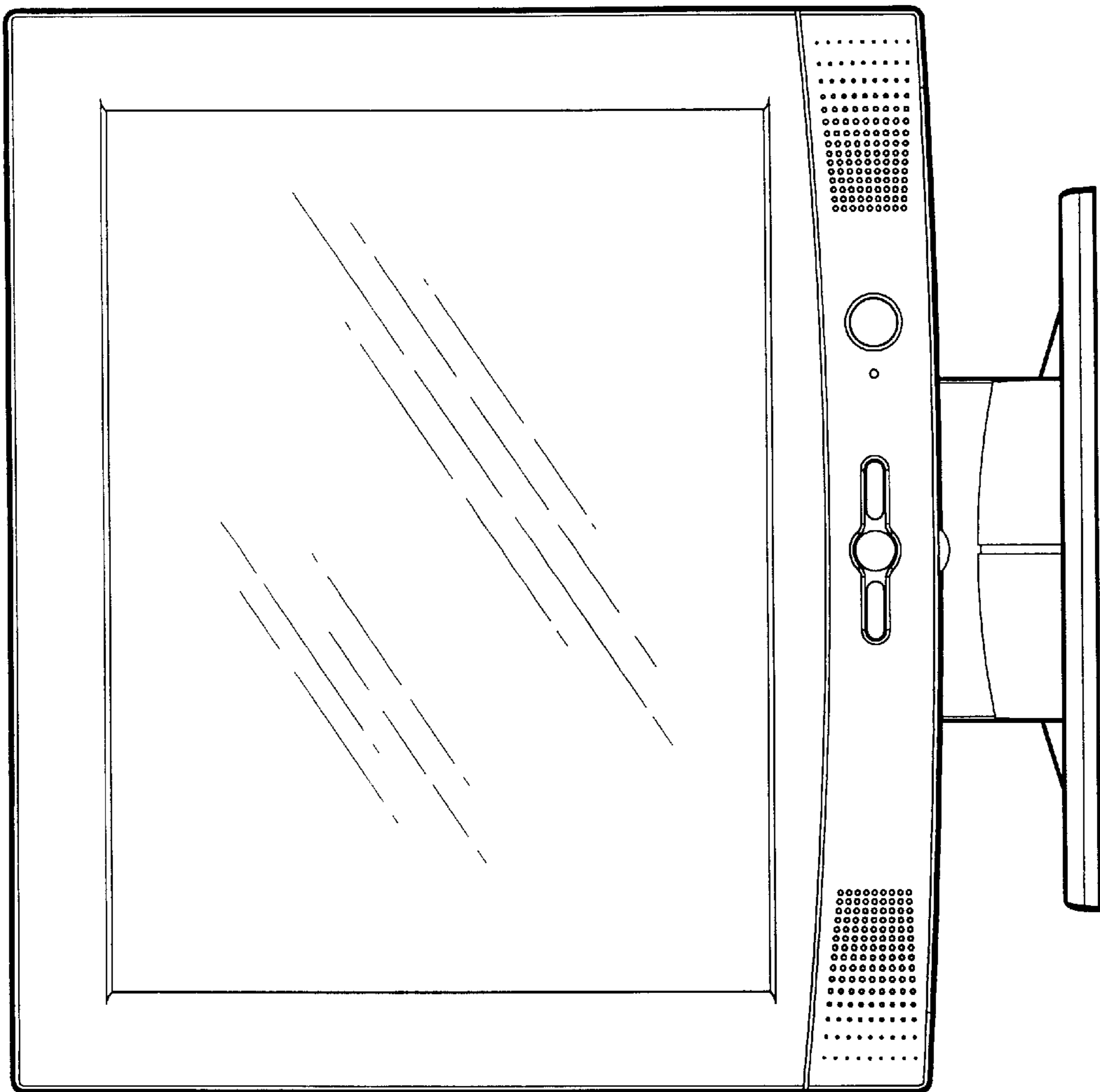


FIG. 4

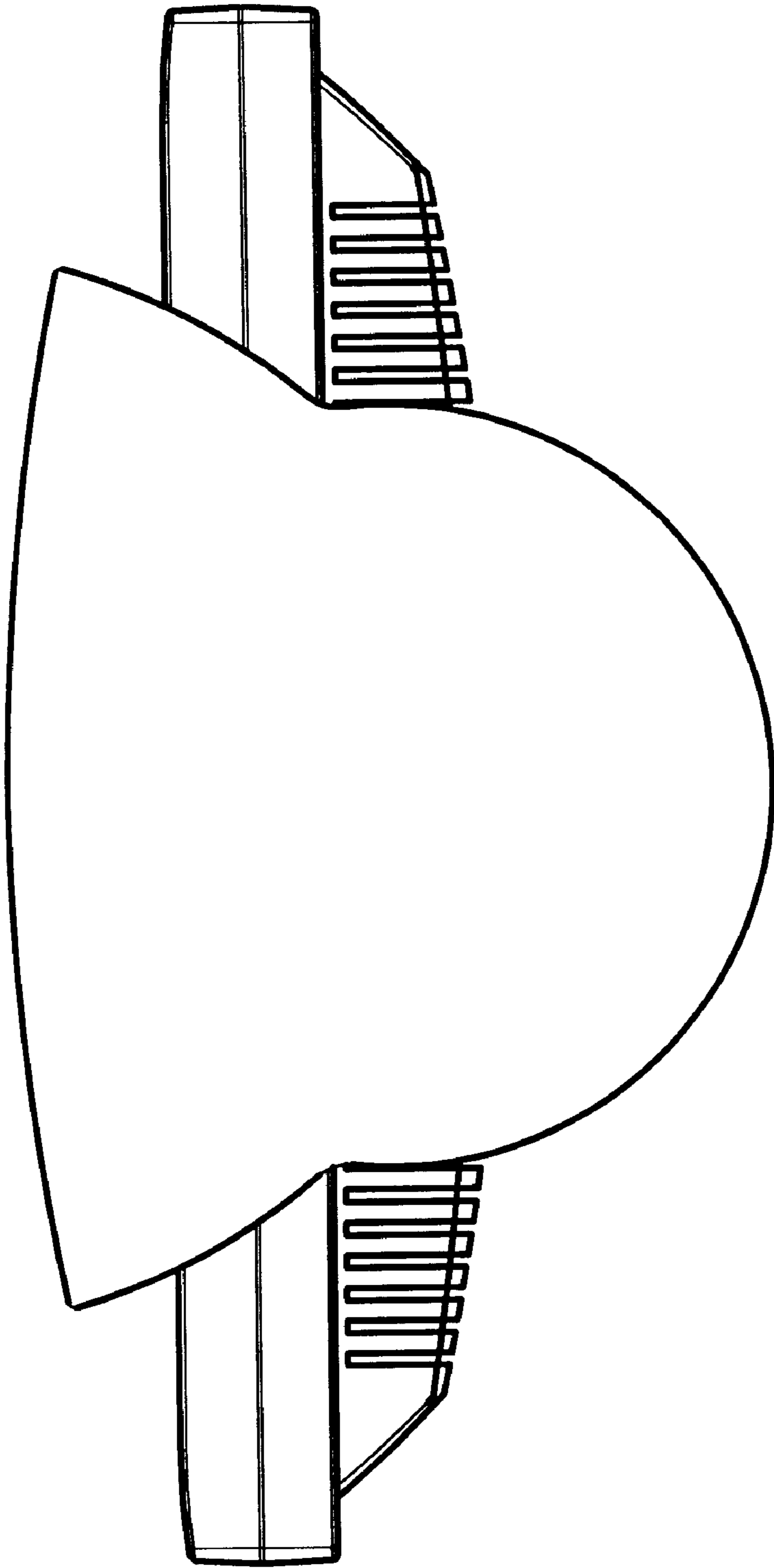


FIG. 5

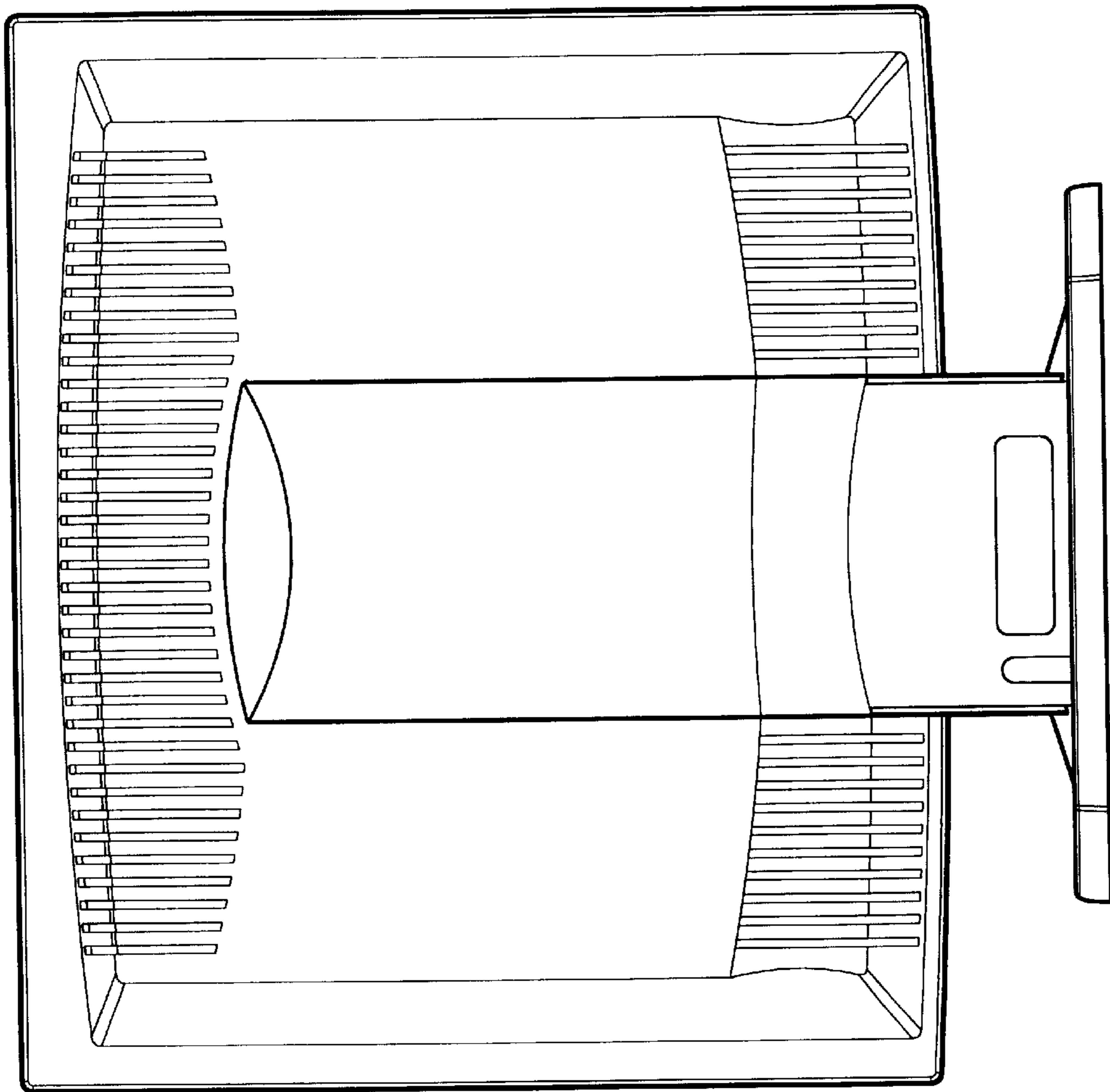


FIG. 7