



US00D434028S

United States Patent [19] DeFazio

[11] Patent Number: Des. 434,028

[45] Date of Patent: ** Nov. 21, 2000

[54] SURROUND-SOUND SPEAKER STAND

4,787,585 11/1988 Tedham et al. 248/153 X

[76] Inventor: William P. DeFazio, 787 Charing Cross Cir., Lake Mary, Fla. 32746

Primary Examiner—Nanda Bondade
Attorney, Agent, or Firm—Elsie C. Turner

[**] Term: 14 Years

[57] CLAIM

[21] Appl. No.: 29/113,810

The ornamental design for a surround-sound speaker stand, as shown and described.

[22] Filed: Nov. 15, 1999

DESCRIPTION

[51] LOC (7) Cl. 14-01

[52] U.S. Cl. D14/224

[58] Field of Search D6/458, 462; D14/224, D14/229; 248/127, 153, 163.1, 175

FIG. 1 is a perspective view of a surround-sound speaker stand, showing my new design; FIG. 2 is a front elevational view thereof; FIG. 3 is a rear elevational view thereof; FIG. 4 is a left side elevational view thereof; FIG. 5 is a right side elevational view thereof; FIG. 6 is a top plan view thereof; and, FIG. 7 is a bottom plan view thereof.

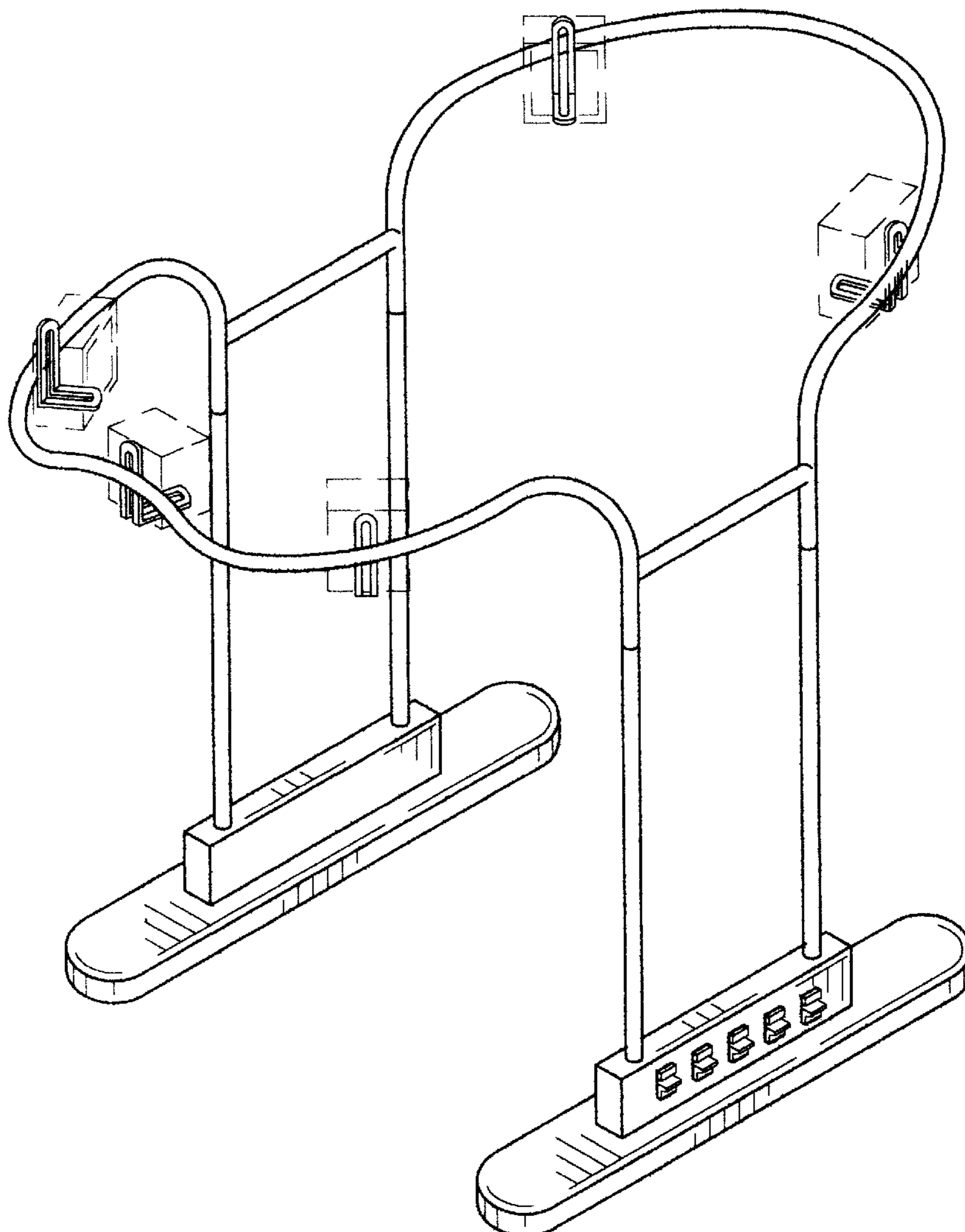
[56] References Cited

U.S. PATENT DOCUMENTS

| | | | | |
|------------|---------|----------|-------|---------|
| D. 156,934 | 1/1950 | Burgess | | D6/462 |
| D. 223,616 | 5/1972 | Woods | | D6/462 |
| D. 259,562 | 6/1981 | Schoenig | | D14/224 |
| D. 263,141 | 2/1982 | Konopka | | D14/224 |
| D. 399,671 | 10/1998 | Arvans | | D6/462 |

The broken line showing of the speakers on FIGS. 1-7 and the armchair on FIGS. 4 and 6, is for illustrative purposes only and forms no part of the claimed design.

1 Claim, 3 Drawing Sheets



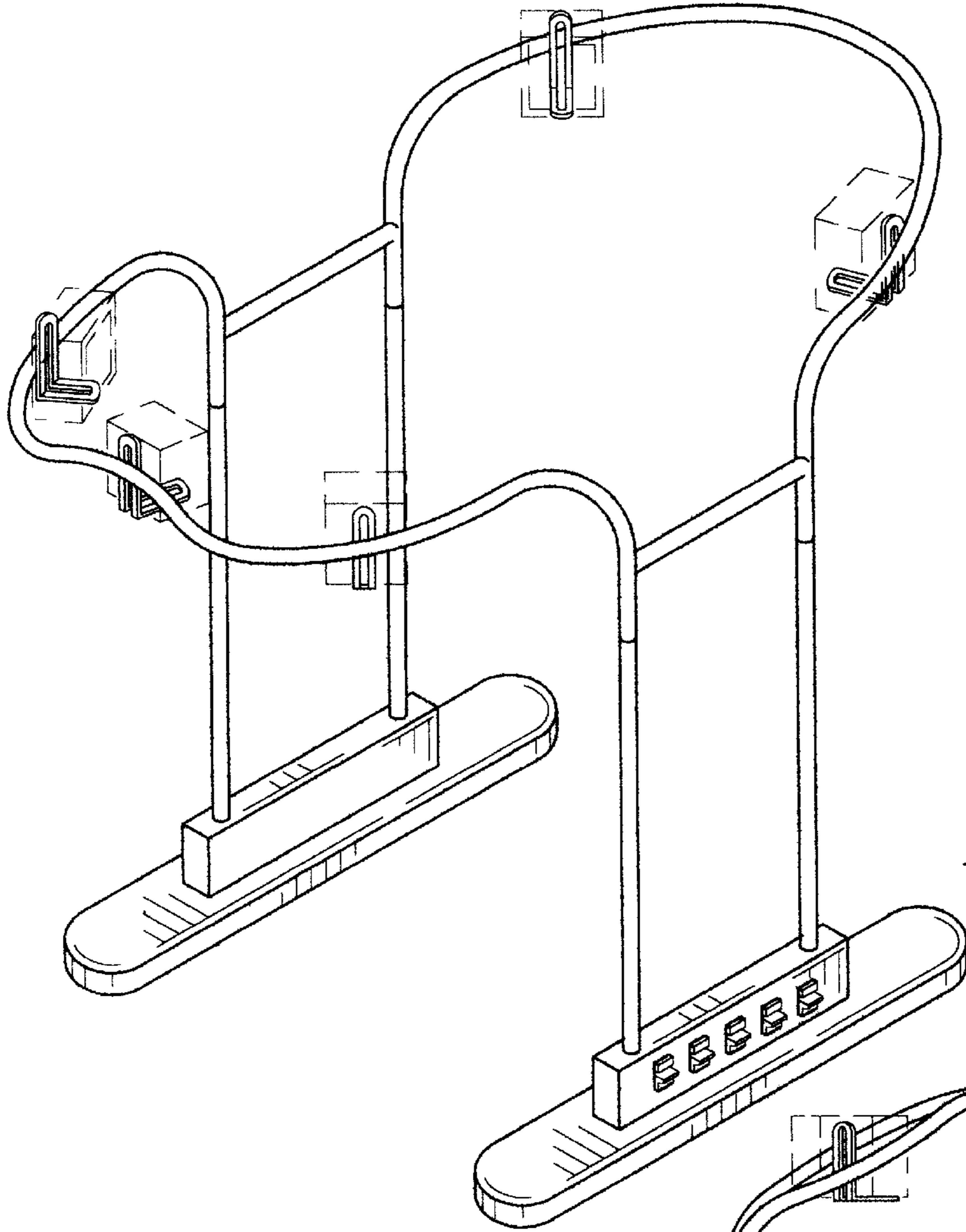
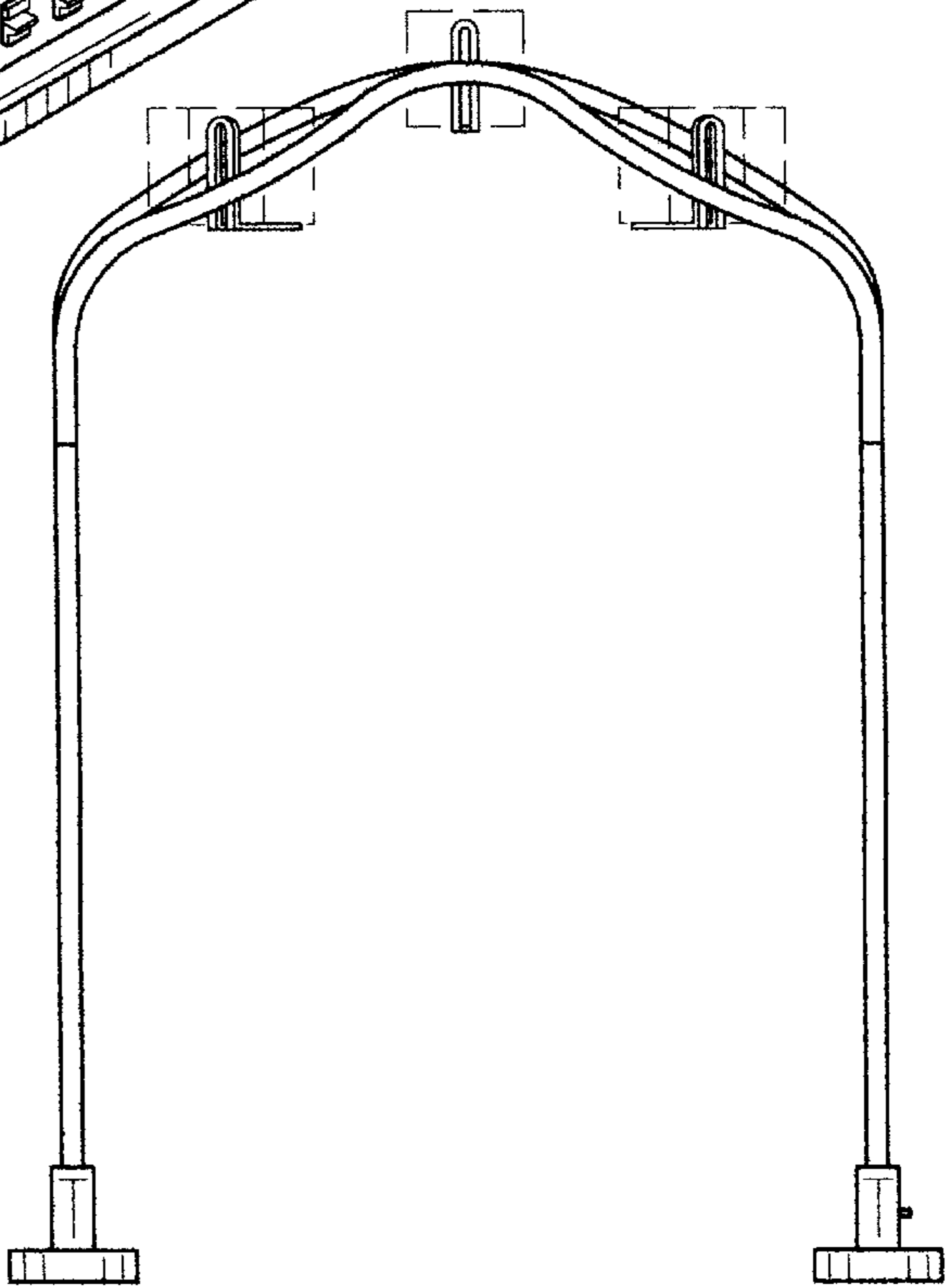


FIG. 1

FIG. 2



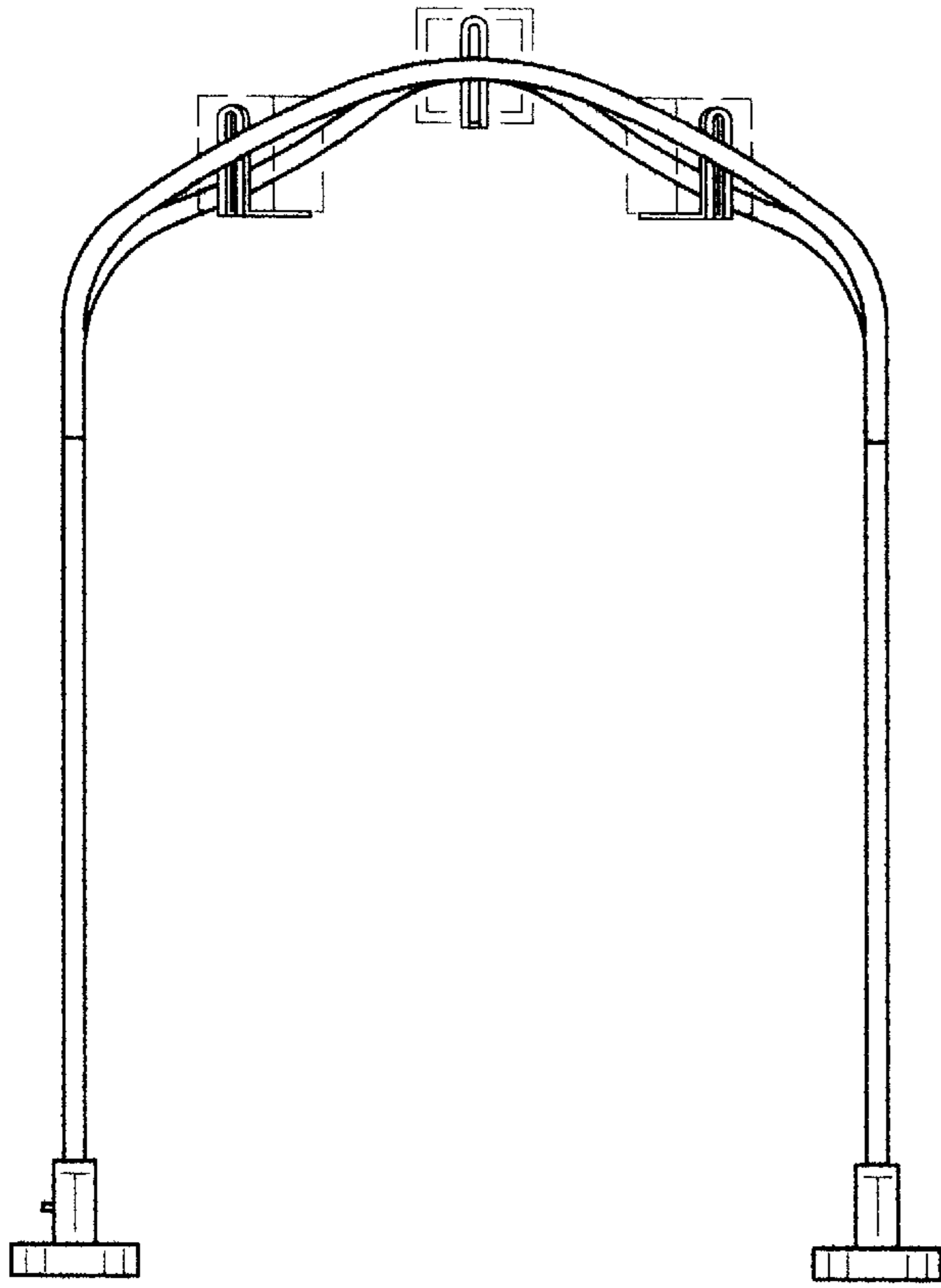


FIG. 3

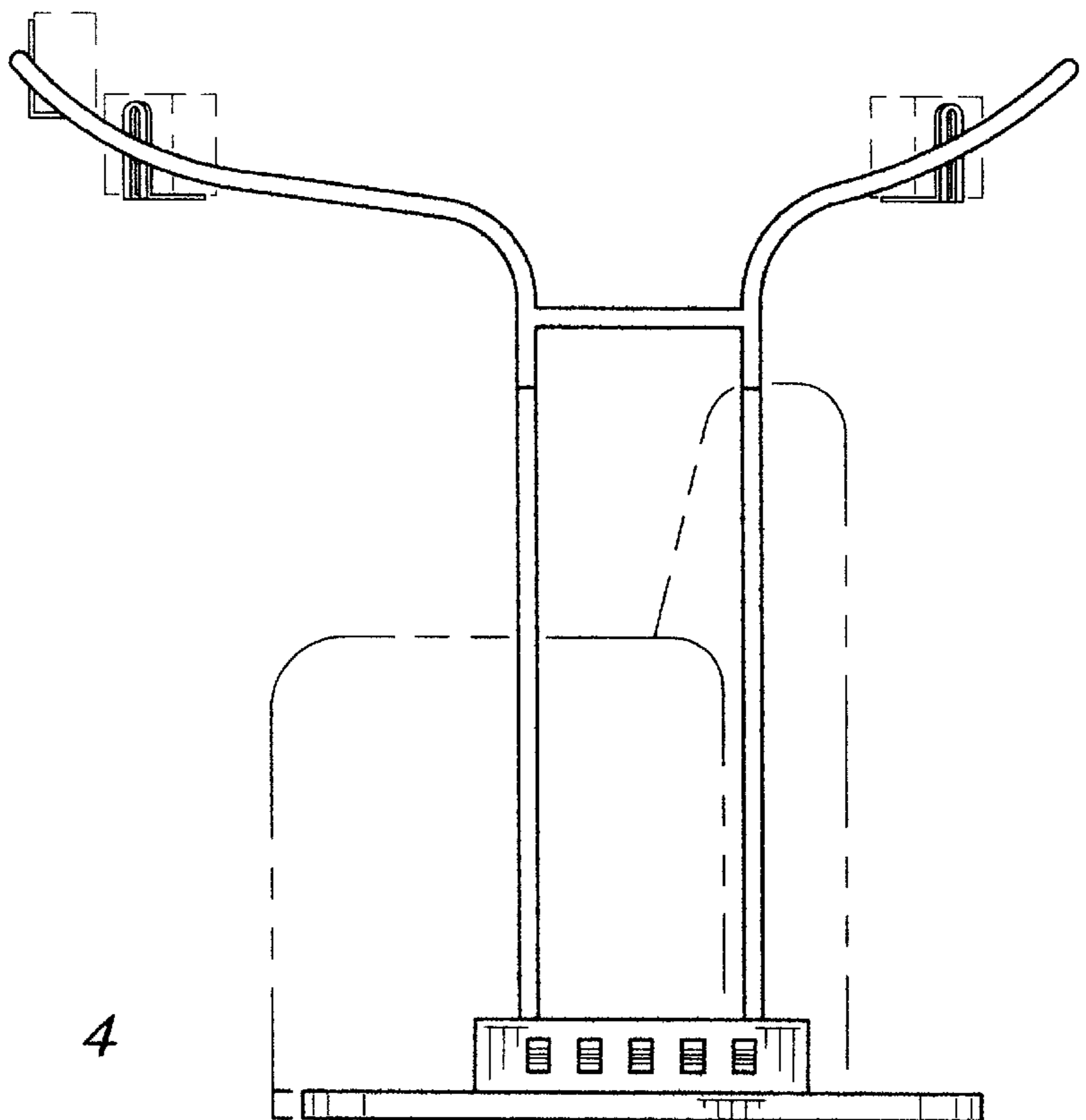


FIG. 4

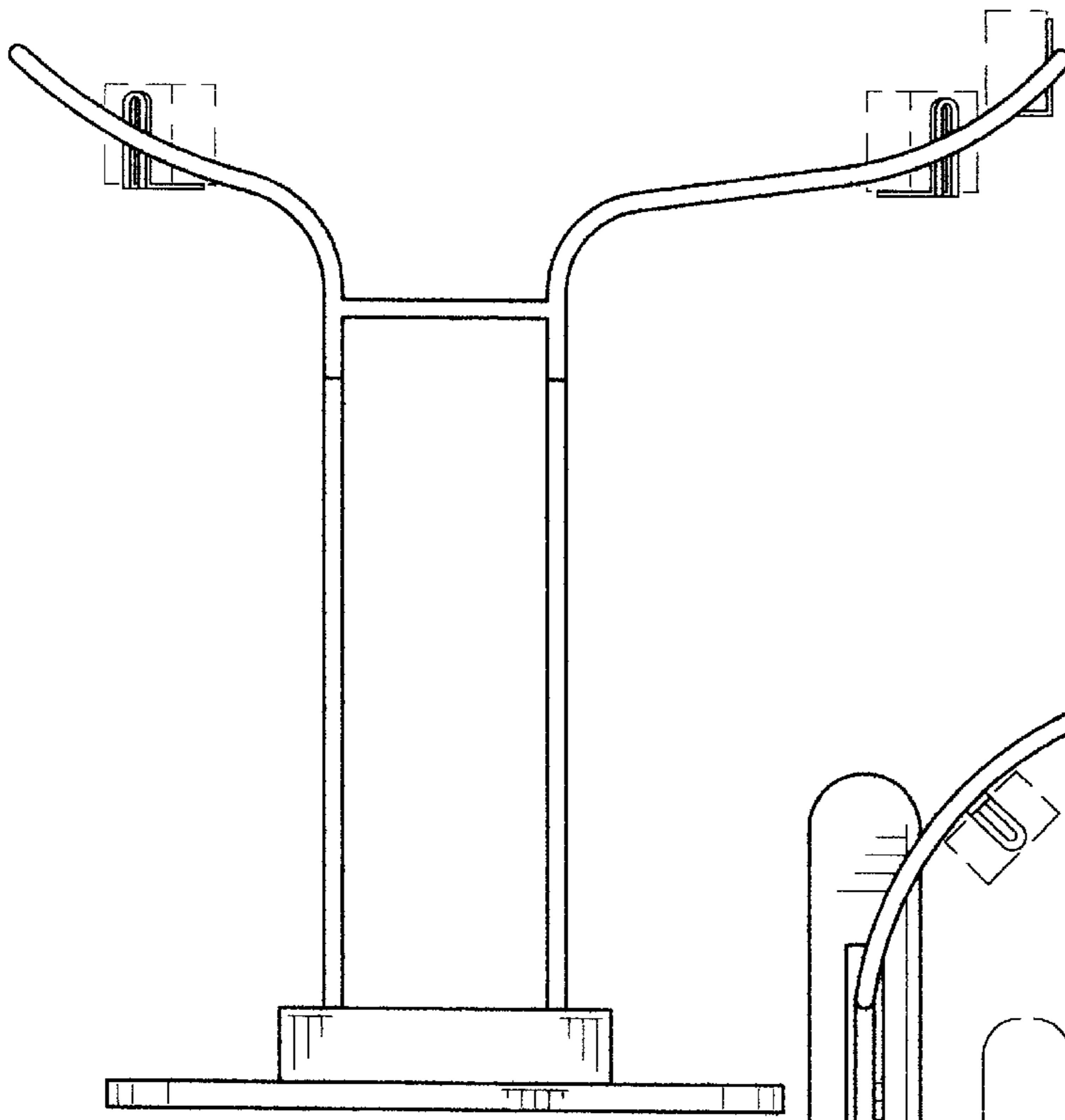


FIG. 5

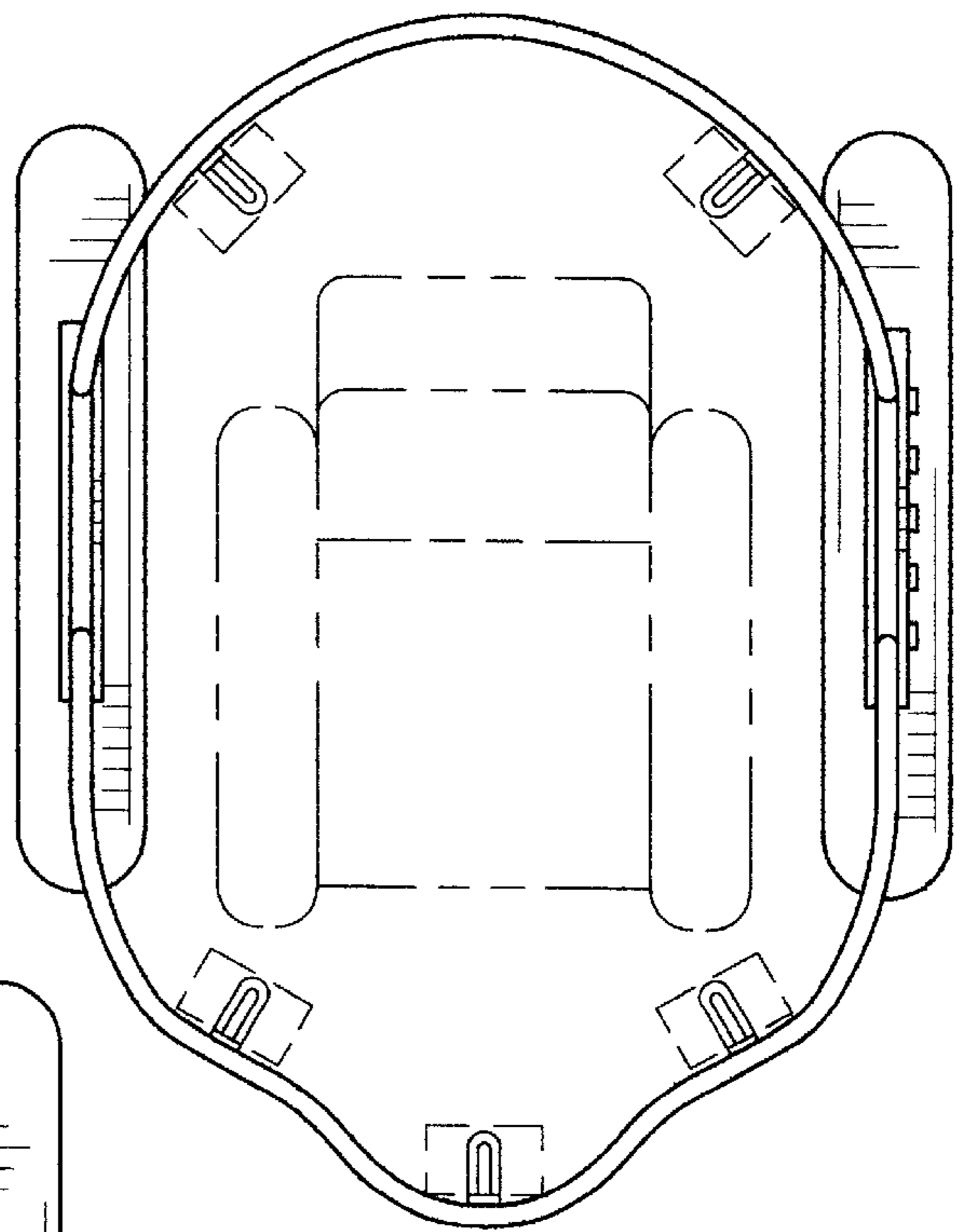


FIG. 6

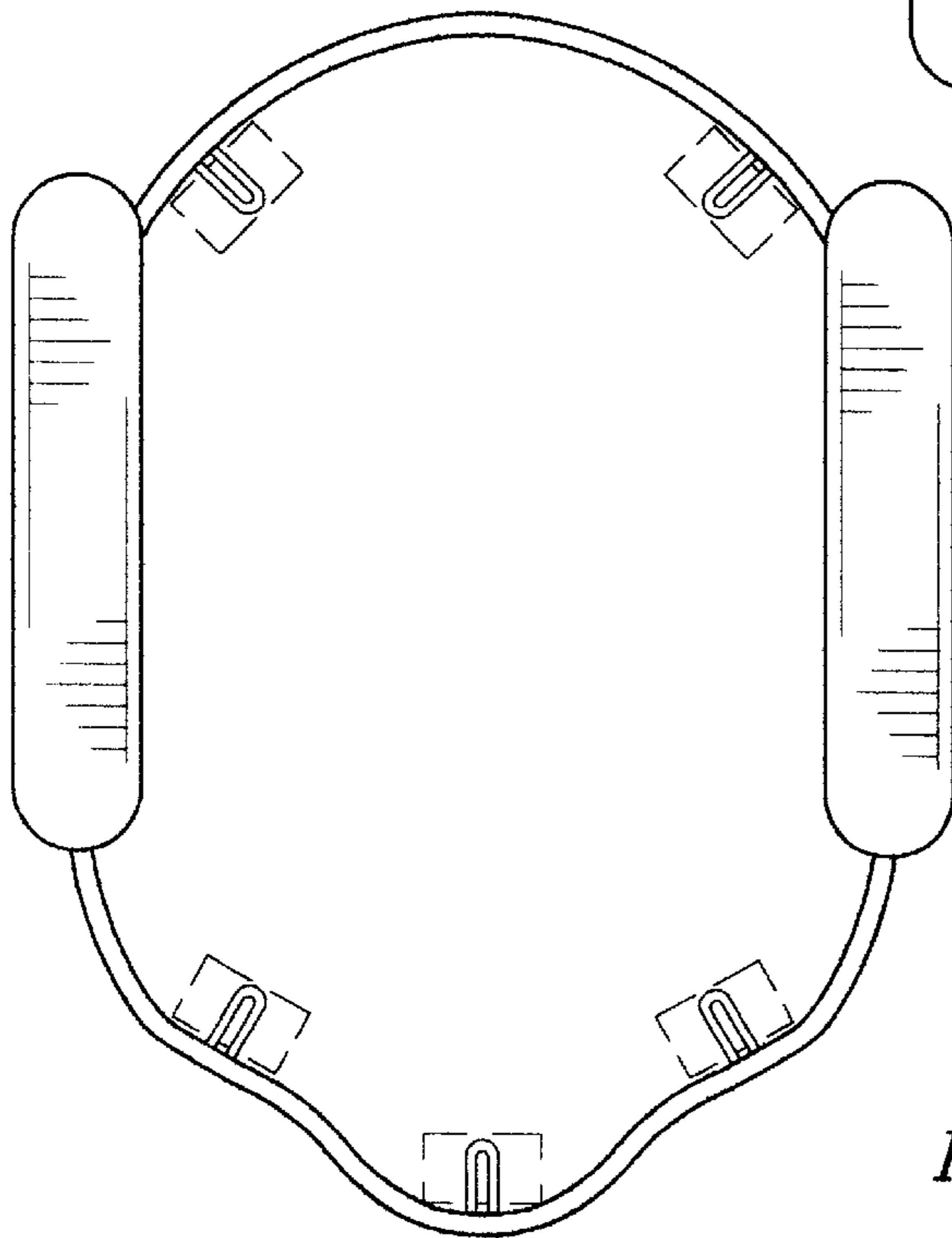


FIG. 7