

US00D434026S

# United States Patent [19]

Lewis

[11] **Patent Number: Des. 434,026**

[45] **Date of Patent: \*\* Nov. 21, 2000**

[54] **LOUDSPEAKER**

[75] Inventor: **David Lewis**, Copenhagen, Denmark

[73] Assignee: **Bang & Olufsen Holding A/S**, Struer, Denmark

[\*\*] Term: **14 Years**

[21] Appl. No.: **29/110,703**

[22] Filed: **Sep. 9, 1999**

### [30] Foreign Application Priority Data

Mar. 12, 1999 [DK] Denmark ..... 1999 00286

[51] **LOC (7) Cl.** ..... **14-01**

[52] **U.S. Cl.** ..... **D14/211; D14/216**

[58] **Field of Search** ..... D14/204, 210-216, D14/219; 181/144-148, 150, 152, 198-199; 381/89, 182, 300-302, 307, 359, 361, 386, 395

### [56] References Cited

#### U.S. PATENT DOCUMENTS

D. 229,565 12/1973 Legorju ..... D14/212

- D. 305,893 2/1990 Maloney ..... D14/216 X
- D. 343,231 1/1994 Lim ..... D14/210 X
- D. 354,750 1/1995 Lewis ..... D14/211 X
- D. 364,871 12/1995 Esslinger ..... D14/211 X
- D. 402,660 12/1998 Swansey ..... D14/216

*Primary Examiner*—Nanda Bondade  
*Attorney, Agent, or Firm*—Darby & Darby

### [57] CLAIM

The ornamental design for a loudspeaker, as shown and described.

### DESCRIPTION

FIG. 1 is a top perspective of the loudspeaker;  
 FIG. 2 is a bottom perspective view thereof;  
 FIG. 3 is a side view of the loudspeaker seen from the right side;  
 FIG. 4 is a front view of the loudspeaker;  
 FIG. 5 is a side view of the loudspeaker seen from the left side;  
 FIG. 6 is a back view of the loudspeaker;  
 FIG. 7 is a top view of the loudspeaker; and,  
 FIG. 8 is a bottom view of the loudspeaker.

**1 Claim, 3 Drawing Sheets**

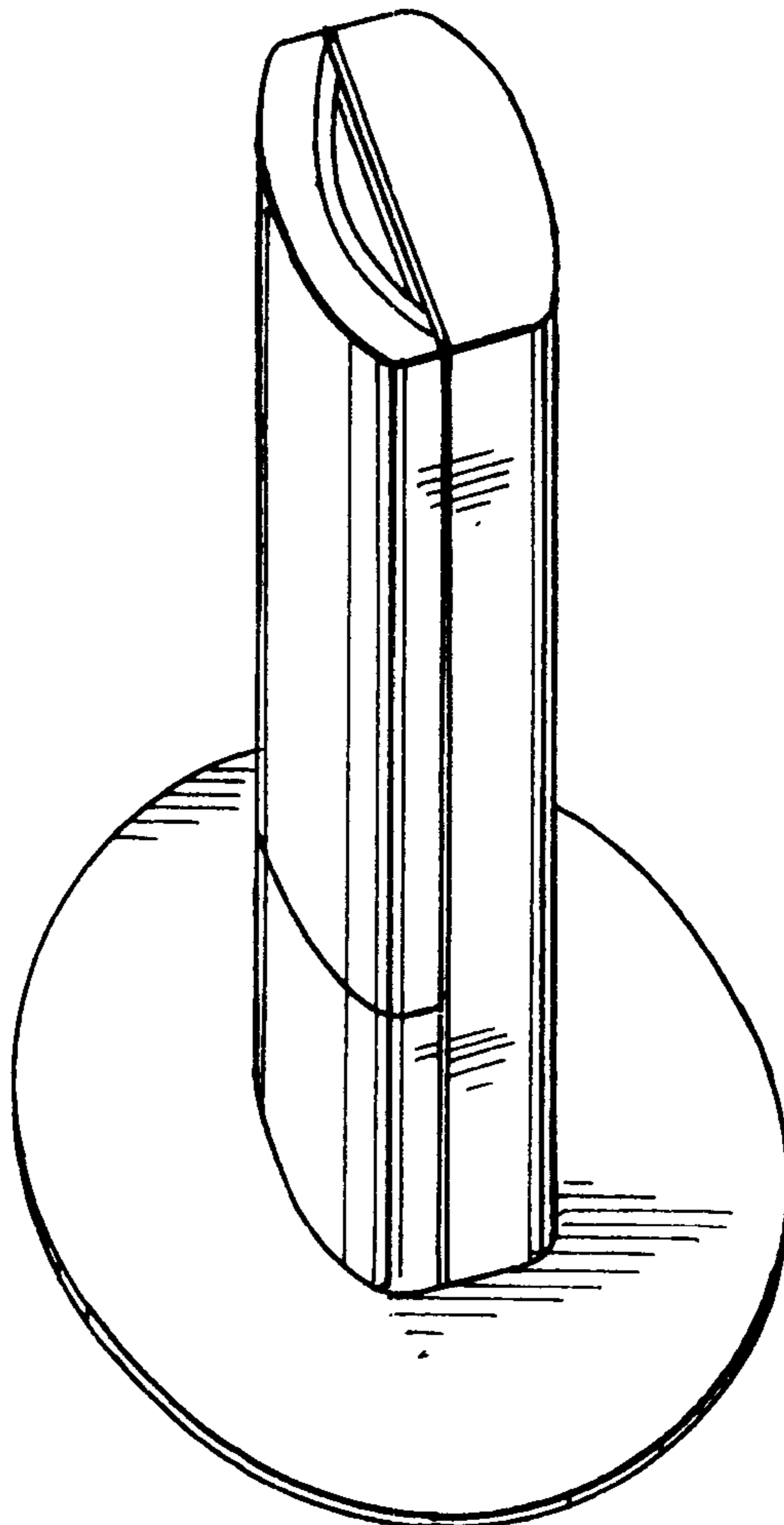


FIG. 1

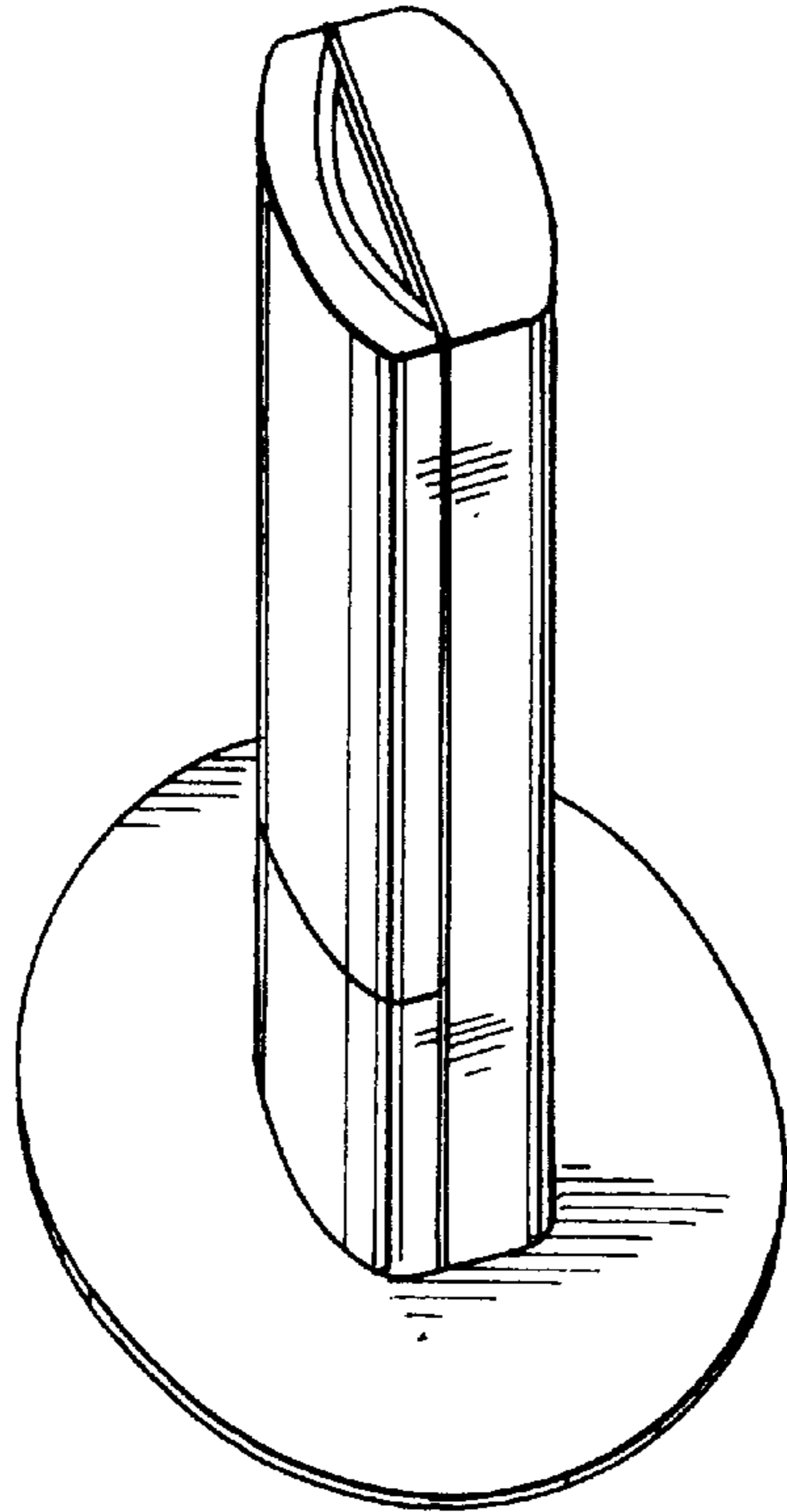


FIG. 2

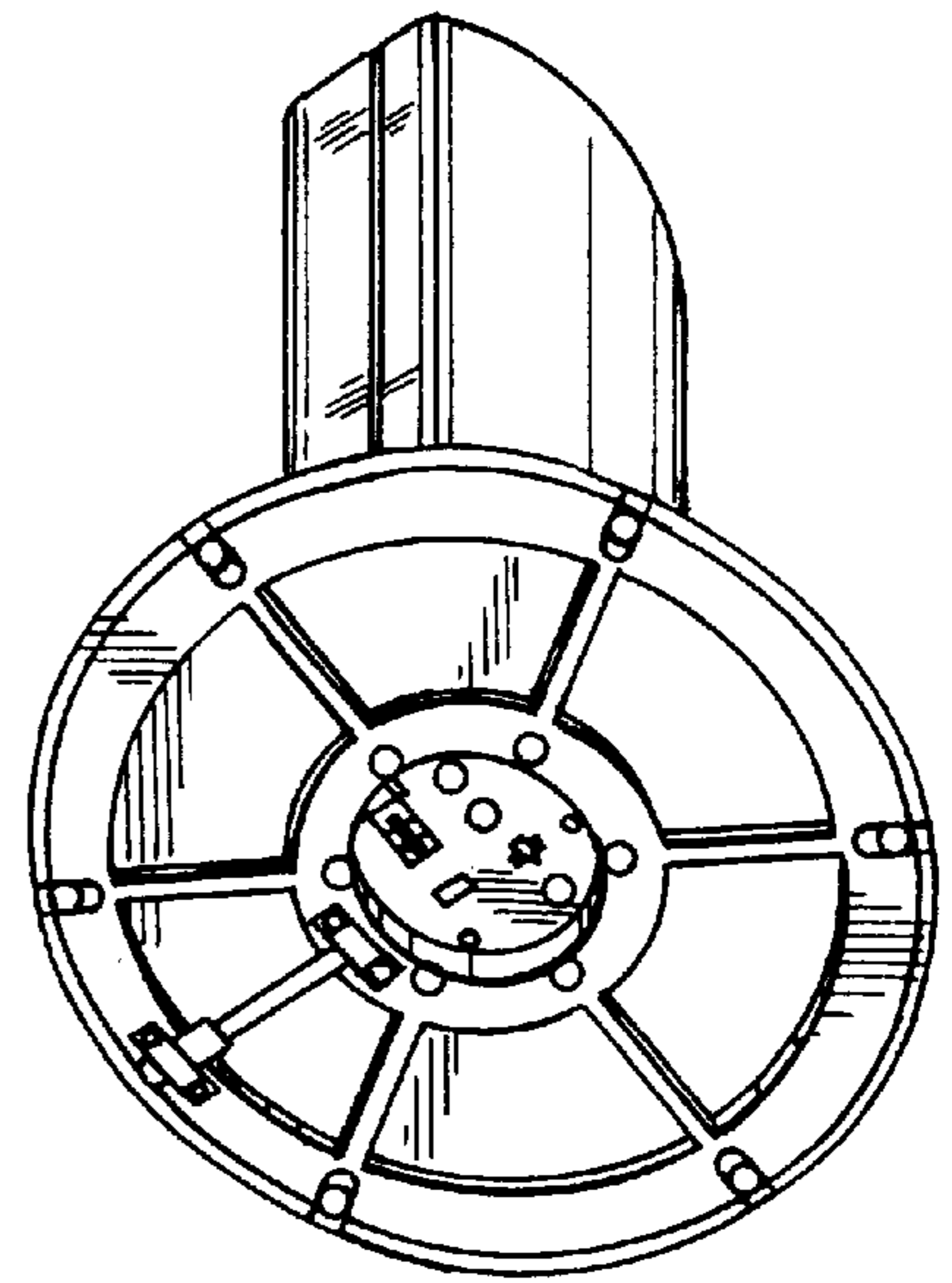


FIG. 7

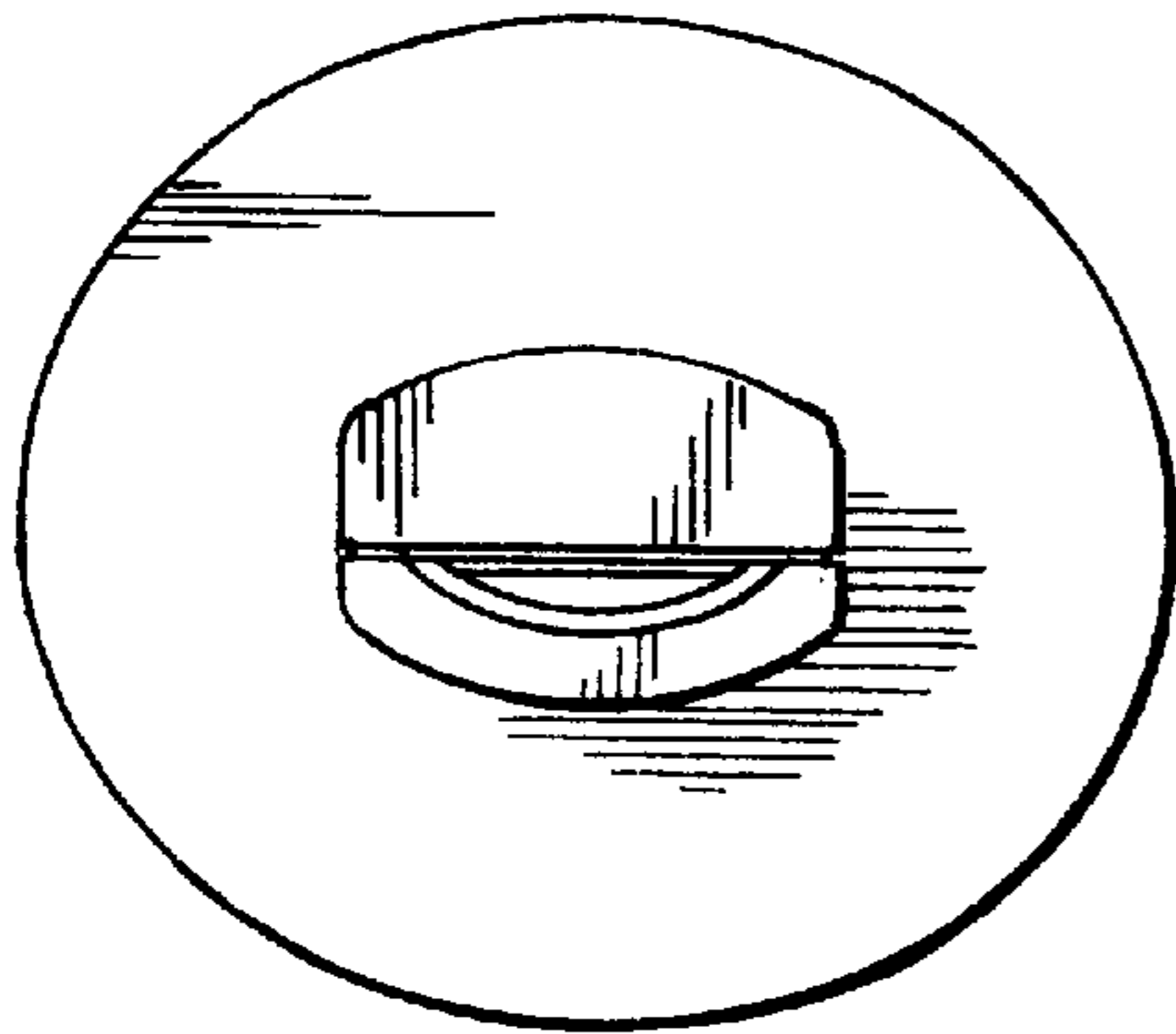


FIG. 8

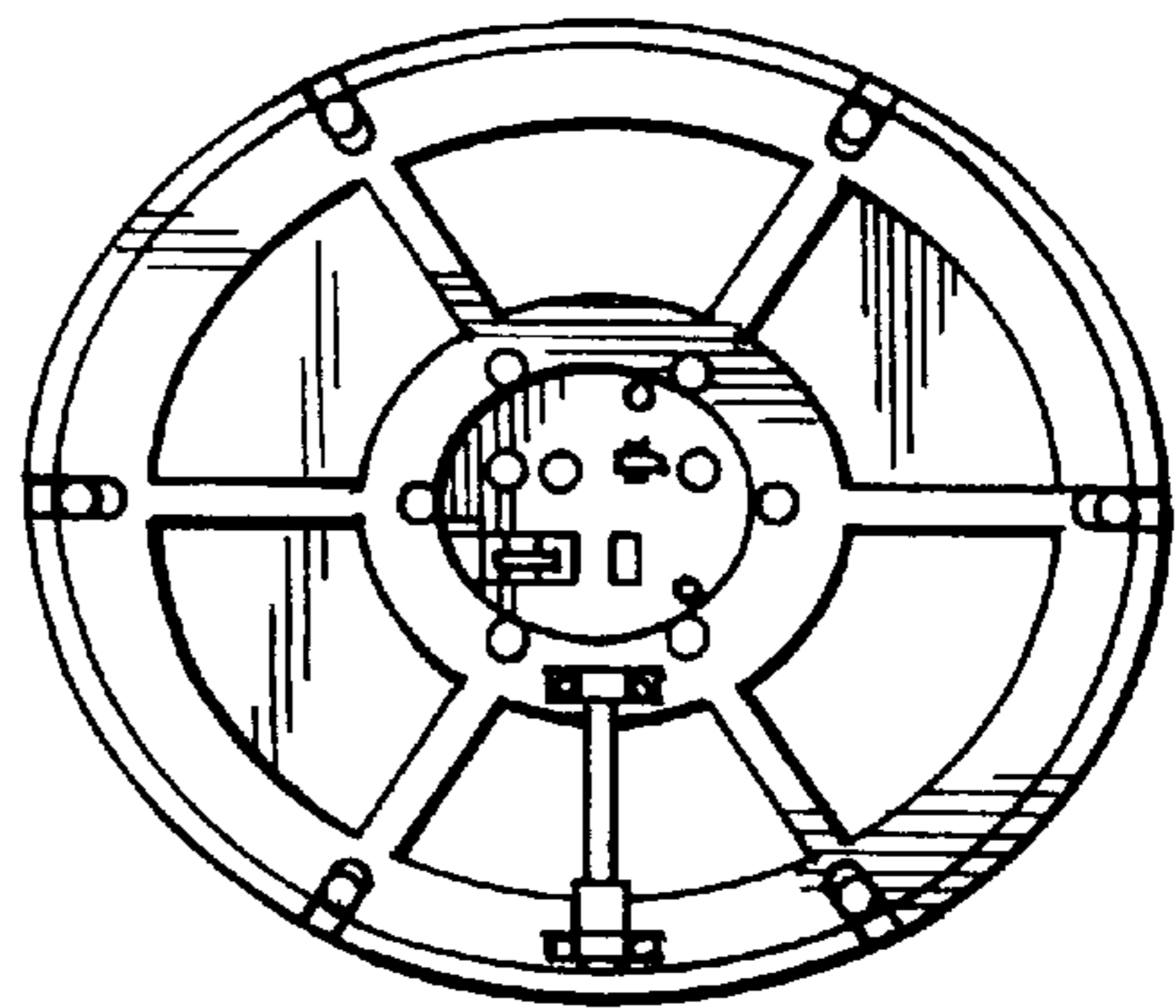


FIG. 3

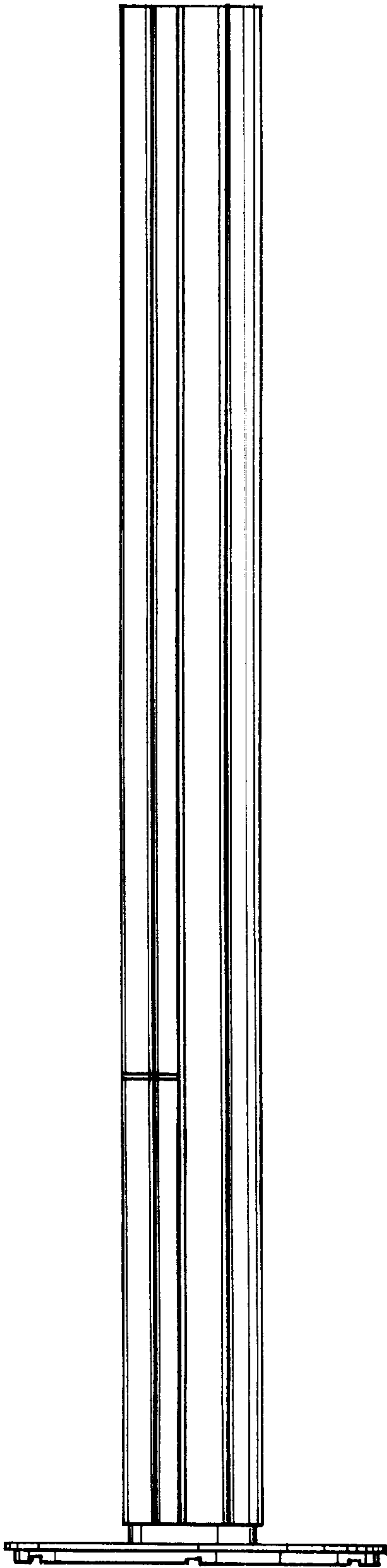


FIG. 4

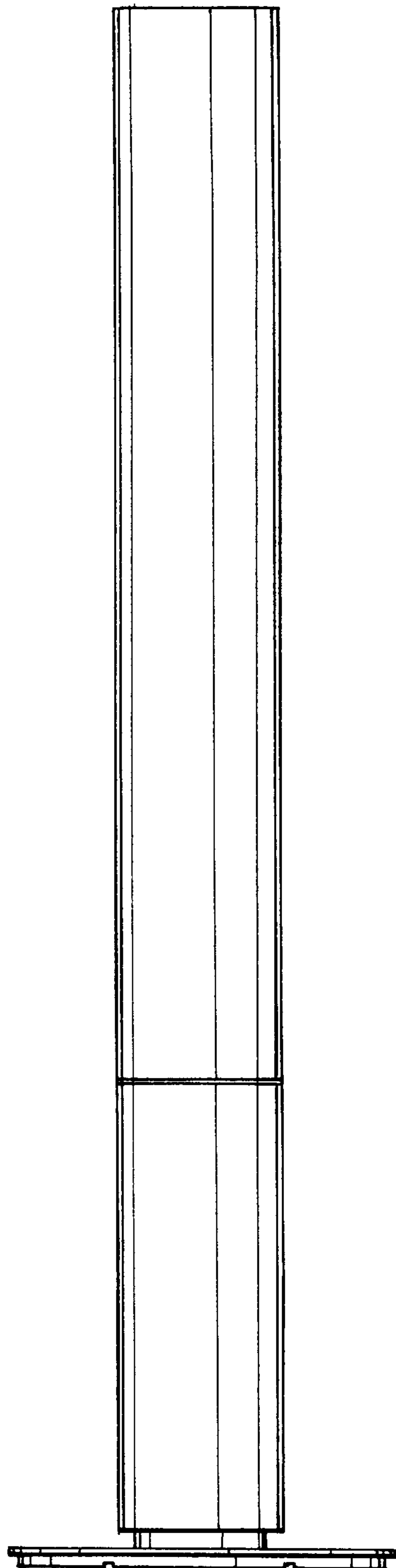


FIG. 5

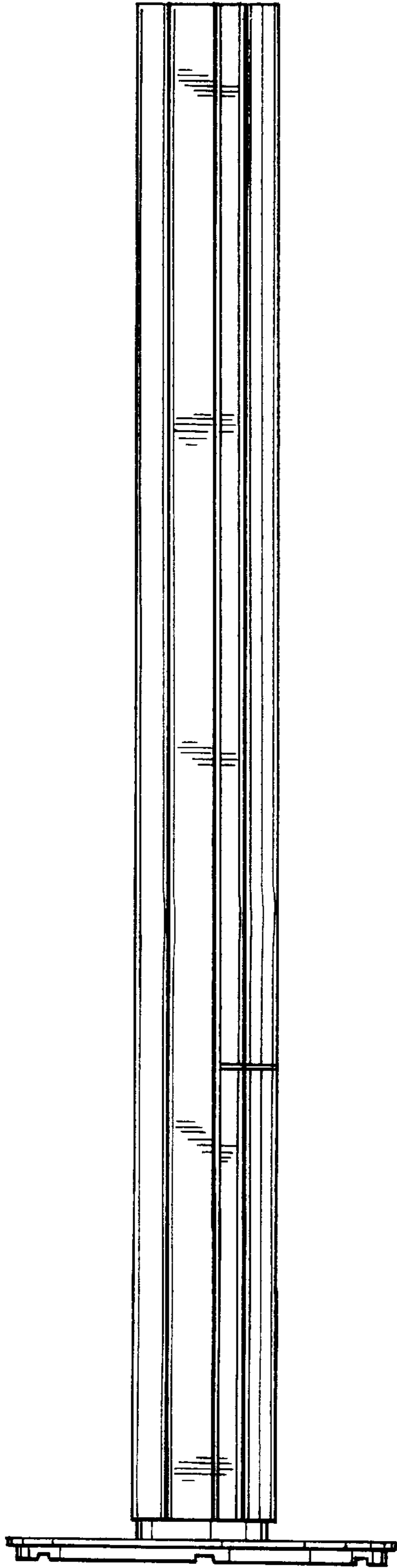


FIG. 6

