



US00D434025S

United States Patent [19]
Zeitman

[11] **Patent Number: Des. 434,025**

[45] **Date of Patent: ** Nov. 21, 2000**

[54] **COMBINED RADIO, CASSETTE AND CD
PLAYER**

[75] Inventor: **Josh Zeitman**, Brooklyn, N.Y.

[73] Assignee: **Lenox Electronics Corp.**, Brooklyn,
N.Y.

[**] Term: **14 Years**

[21] Appl. No.: **29/114,048**

[22] Filed: **Nov. 18, 1999**

[51] **LOC (7) Cl.** **14-01**

[52] **U.S. Cl.** **D14/168**

[58] **Field of Search** D14/124, 160-165,
D14/167-168, 188, 193-198; 455/344,
347, 350, 351

[56] **References Cited**

U.S. PATENT DOCUMENTS

D. 329,852 9/1992 Lee D14/168 X

D. 367,053 2/1996 Ogasawara et al. D14/165 X
D. 376,801 12/1996 Hanig et al. D14/171
D. 378,590 3/1997 Zeitman D14/165
D. 406,843 3/1999 Zeitman D14/162

Primary Examiner—Nanda Bondade
Attorney, Agent, or Firm—Burns, Doane, Swecker &
Mathis, L.L.P.

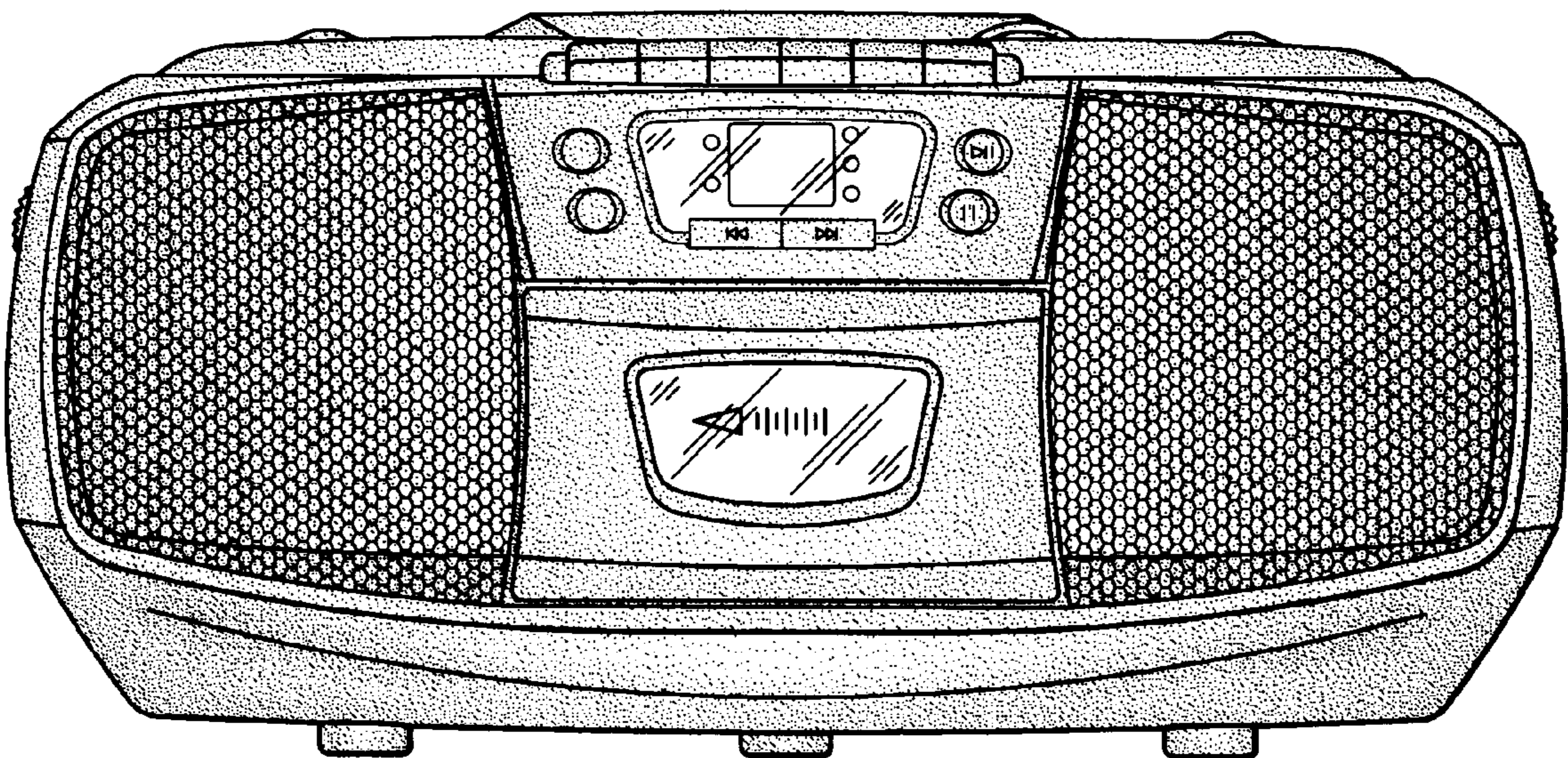
[57] **CLAIM**

The ornamental design of a “combined radio, cassette and CD player”, as shown and described.

DESCRIPTION

FIG. 1 is a front view of a “combined radio, cassette and CD player” showing my design;
FIG. 2 is a back view thereof;
FIG. 3 is a left side view thereof, shown with the handle in an alternate position;
FIG. 4 is a right side view of FIG. 1;
FIG. 5 is a top plan view thereof; and,
FIG. 6 is a bottom view thereof.

1 Claim, 3 Drawing Sheets



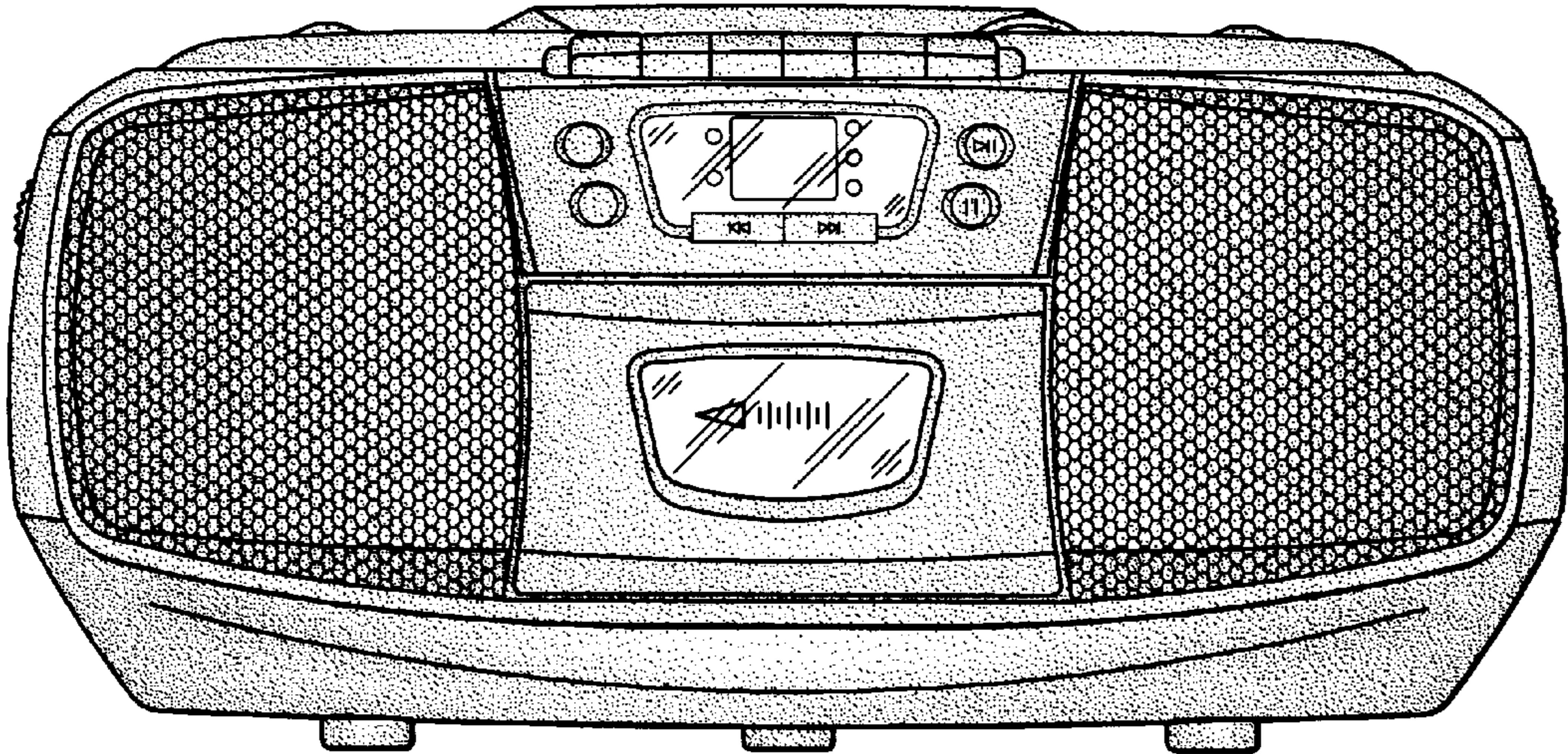


FIG. 1

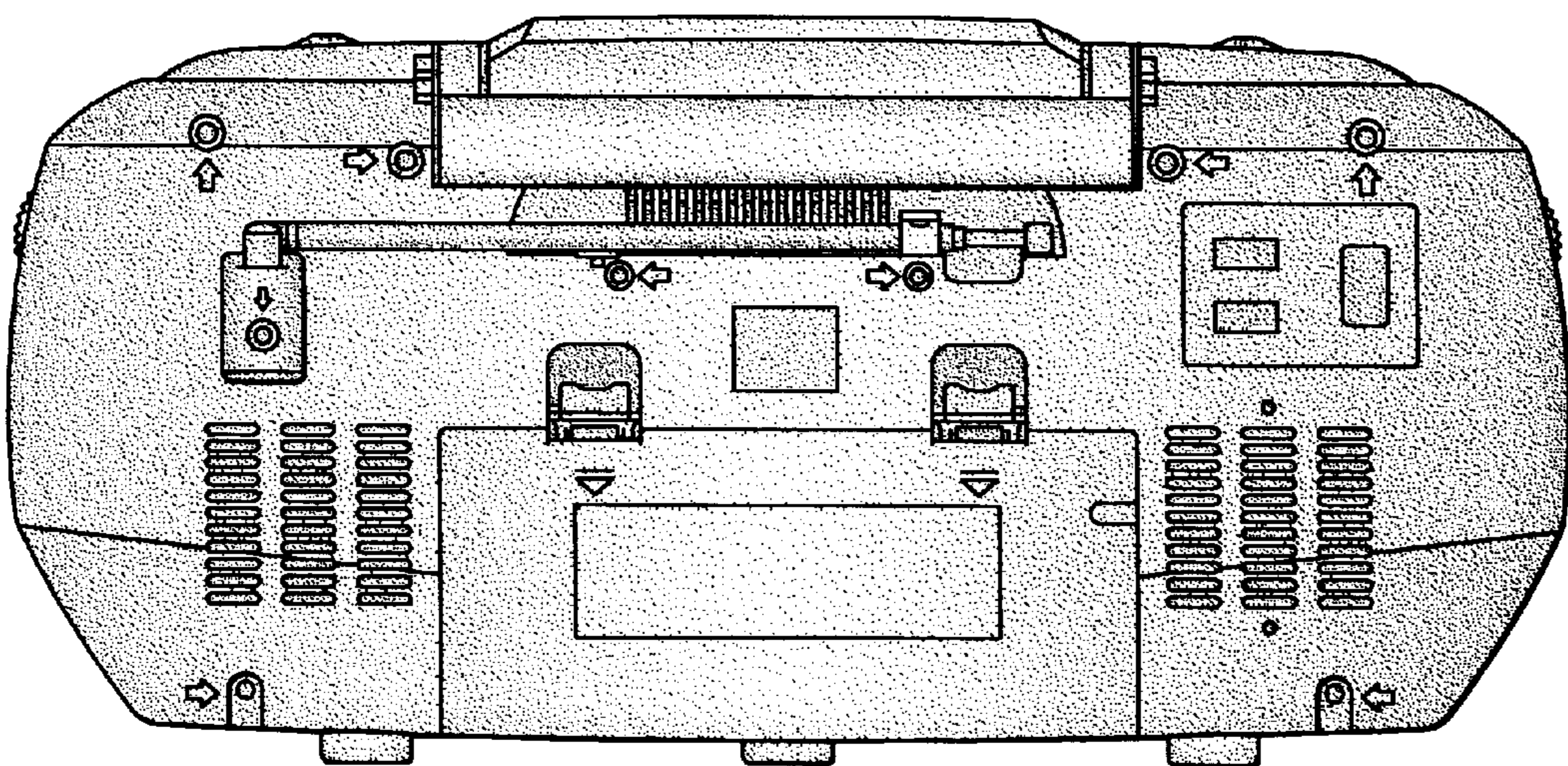


FIG. 2

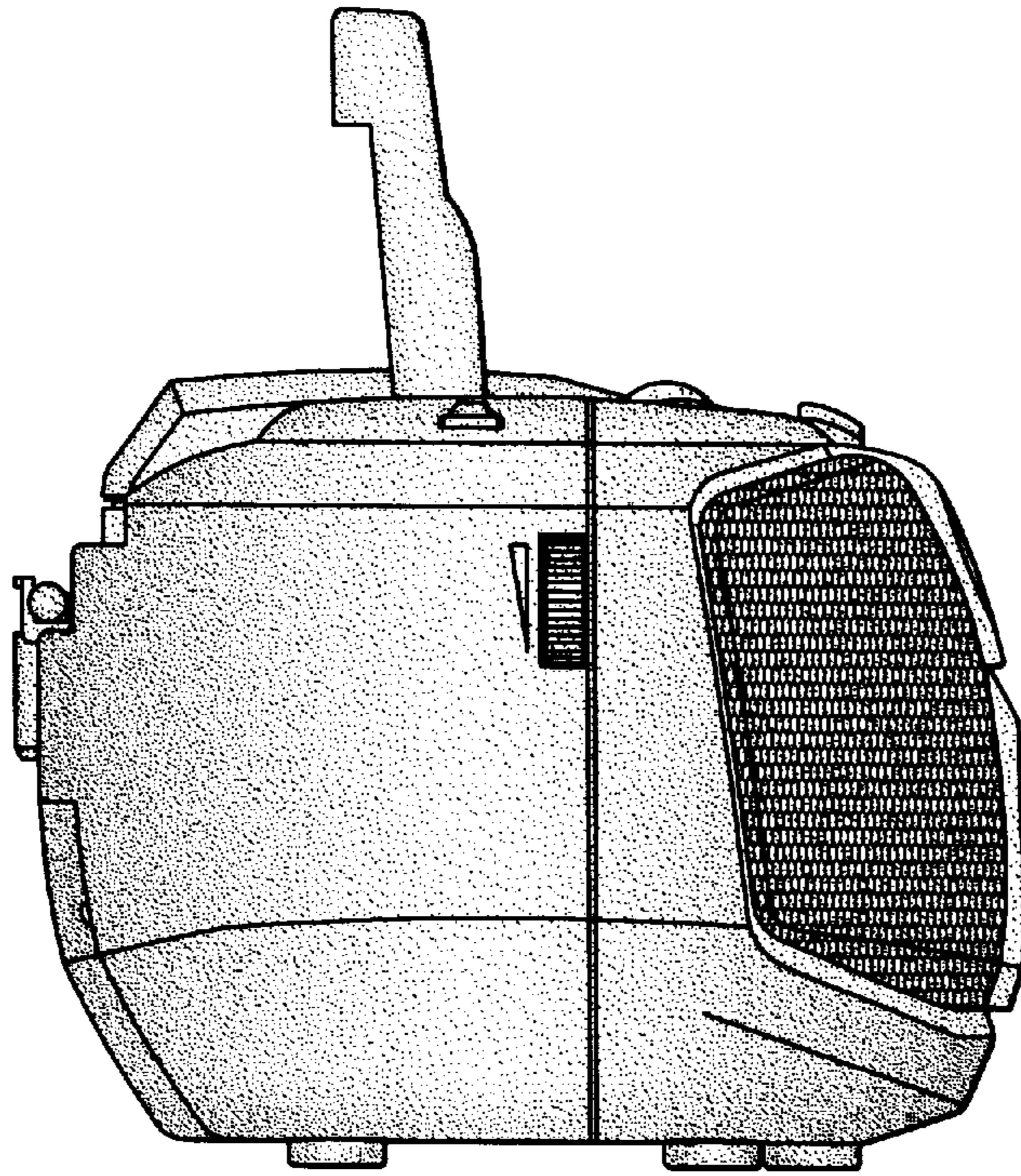


FIG. 3

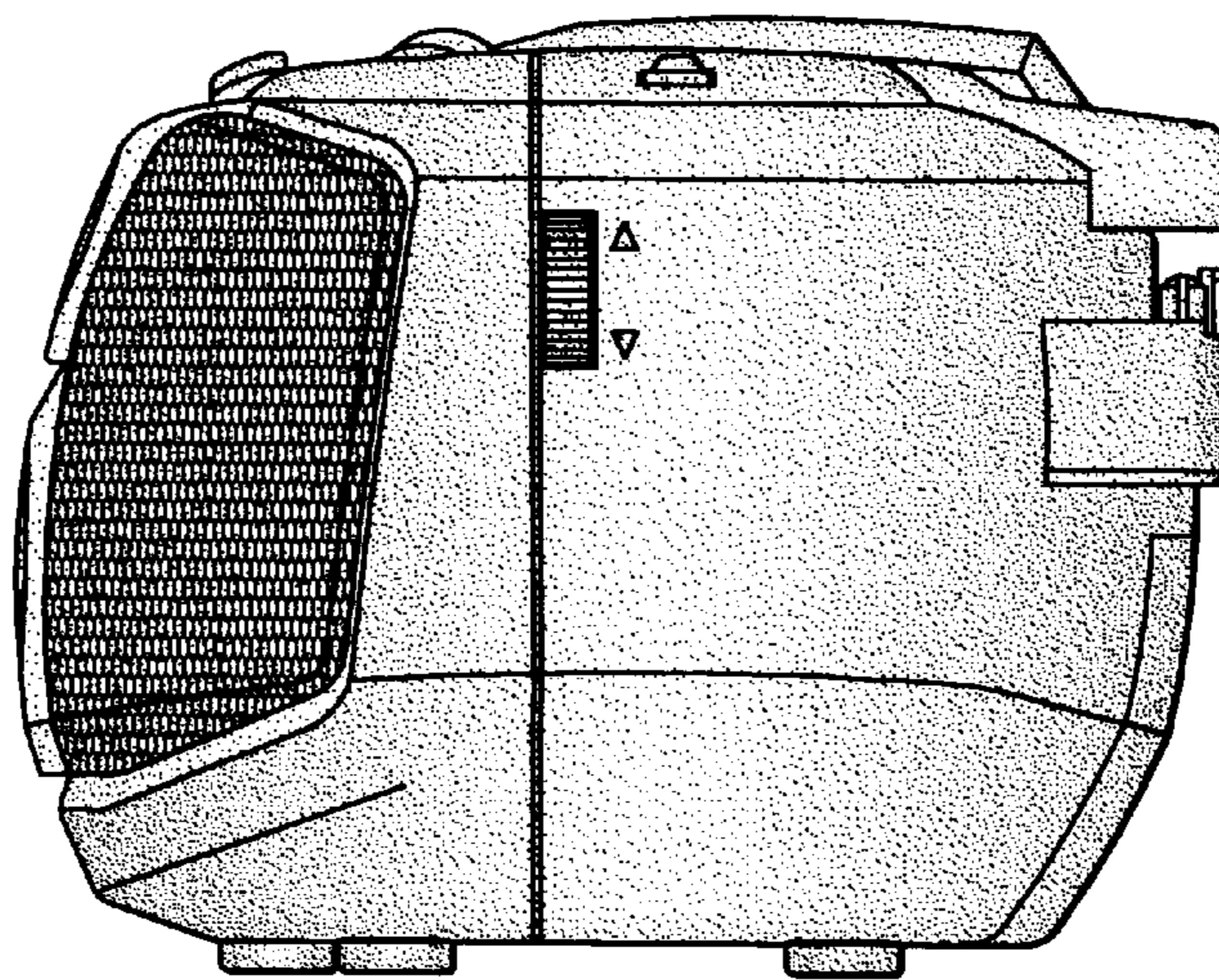


FIG. 4

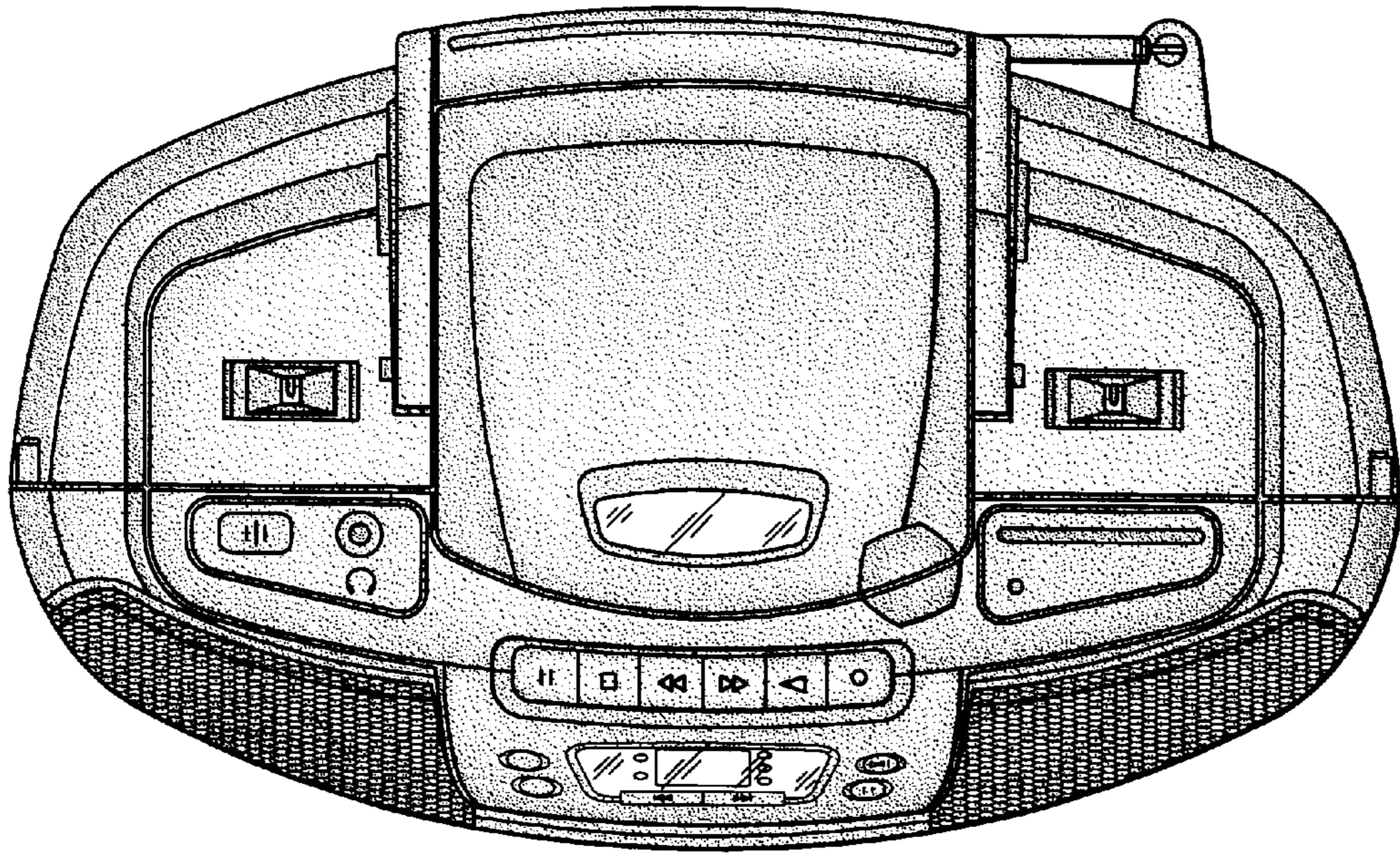


FIG. 5

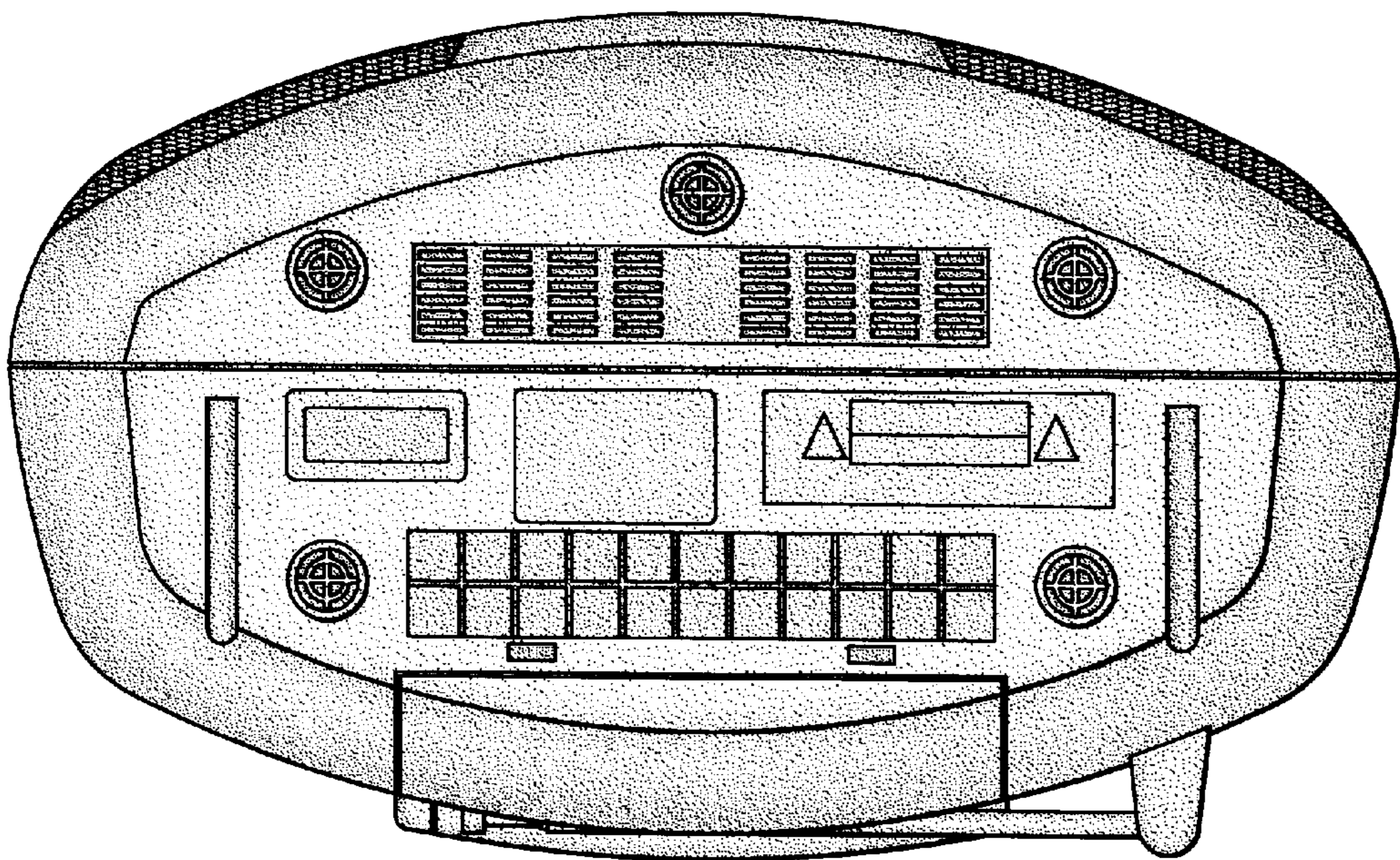


FIG. 6