



US00D434024S

United States Patent [19]
Zeitman

[11] **Patent Number: Des. 434,024**

[45] **Date of Patent: ** Nov. 21, 2000**

[54] **COMBINED RADIO, CASSETTE AND COMPACT DISC PLAYER**

D. 350,960 9/1994 Sakata et al. D14/156 X
5,146,618 9/1992 Wenner D14/168 X

[75] Inventor: **Josh Zeitman**, Brooklyn, N.Y.

Primary Examiner—Nanda Bondade
Attorney, Agent, or Firm—Burns, Doane, Swecker & Mathis, L.L.P.

[73] Assignee: **Lenox Electronics Corp.**, Brooklyn, N.Y.

[57] **CLAIM**

[**] Term: **14 Years**

The ornamental design for “combined radio, cassette and compact disc player”, as shown and described.

[21] Appl. No.: **29/097,982**

DESCRIPTION

[22] Filed: **Dec. 18, 1998**

FIG. 1 is a front view of “combined radio, cassette and compact disc player” showing my design;
FIG. 2 is a rear view thereof;
FIG. 3 is a top plan view thereof;
FIG. 4 is a bottom plan view thereof;
FIG. 5 is a left side view of the main unit thereof, shown separately for clarity of illustration;
FIG. 6 is a right side view of the main unit thereof, shown separately for clarity of illustration; and,
FIG. 7 is a side view of the speaker unit thereof, shown separately for clarity of illustration, the opposite side being a mirror image thereof.

[51] **LOC (7) Cl.** **14-01**

[52] **U.S. Cl.** **D14/168**

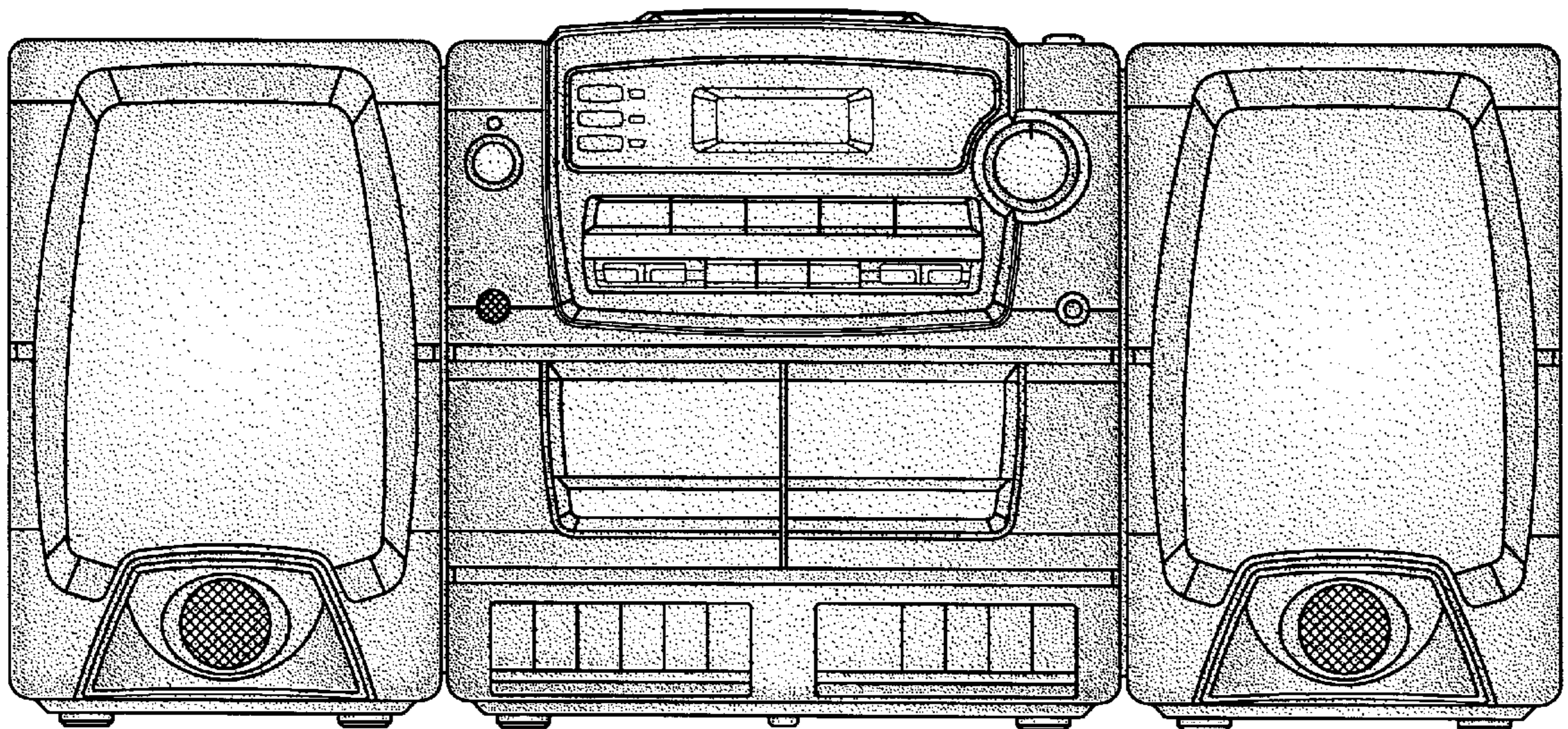
[58] **Field of Search** D14/124, 156,
D14/160–168, 188, 193–198, 204, 209–216;
455/344, 345, 347–351; 181/144–145, 147–148,
150, 153, 157, 198–199; 381/24, 88, 90,
153, 159, 186, 188

[56] **References Cited**

U.S. PATENT DOCUMENTS

D. 313,598 1/1991 Mori D14/163
D. 339,345 9/1993 Fuke D14/168

1 Claim, 3 Drawing Sheets



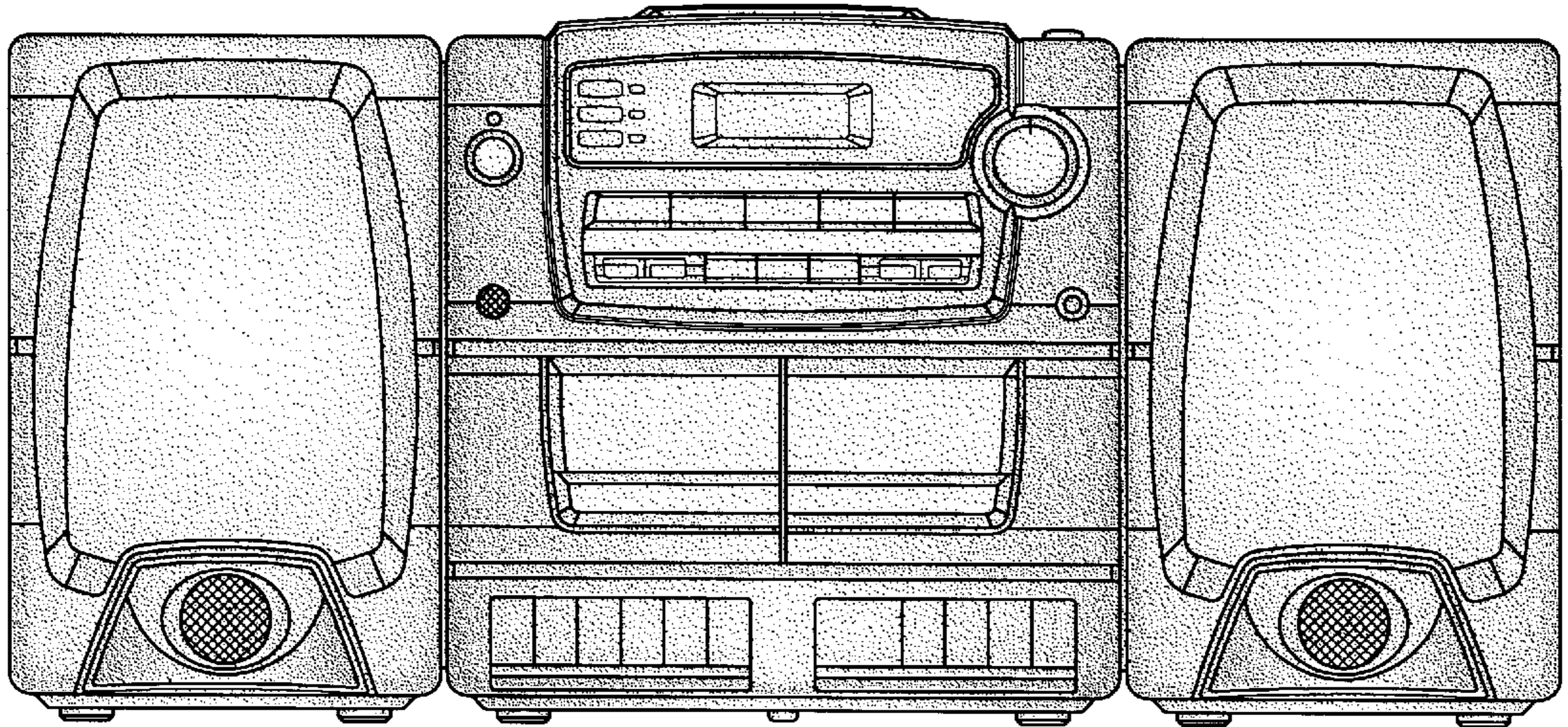


FIG. 1

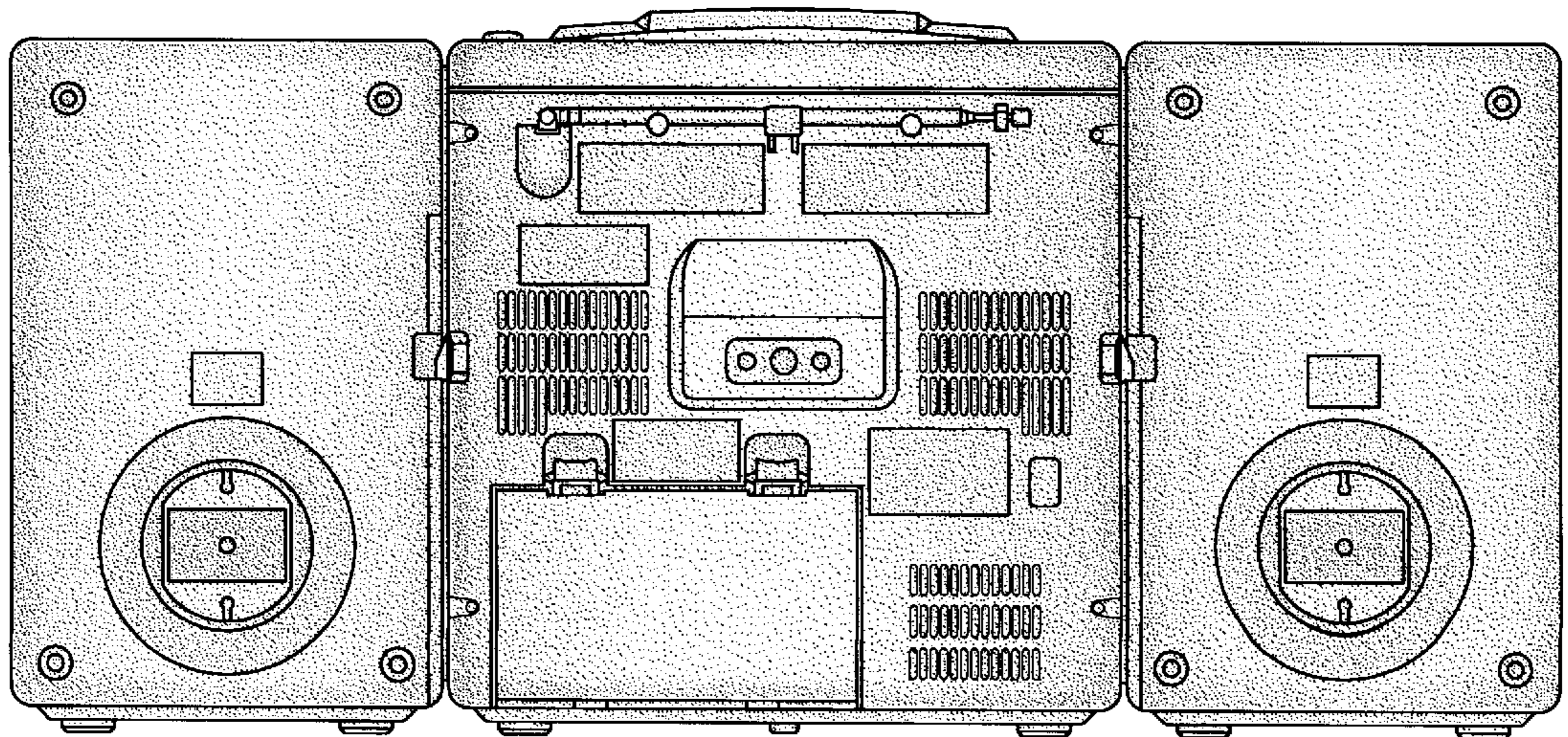


FIG. 2

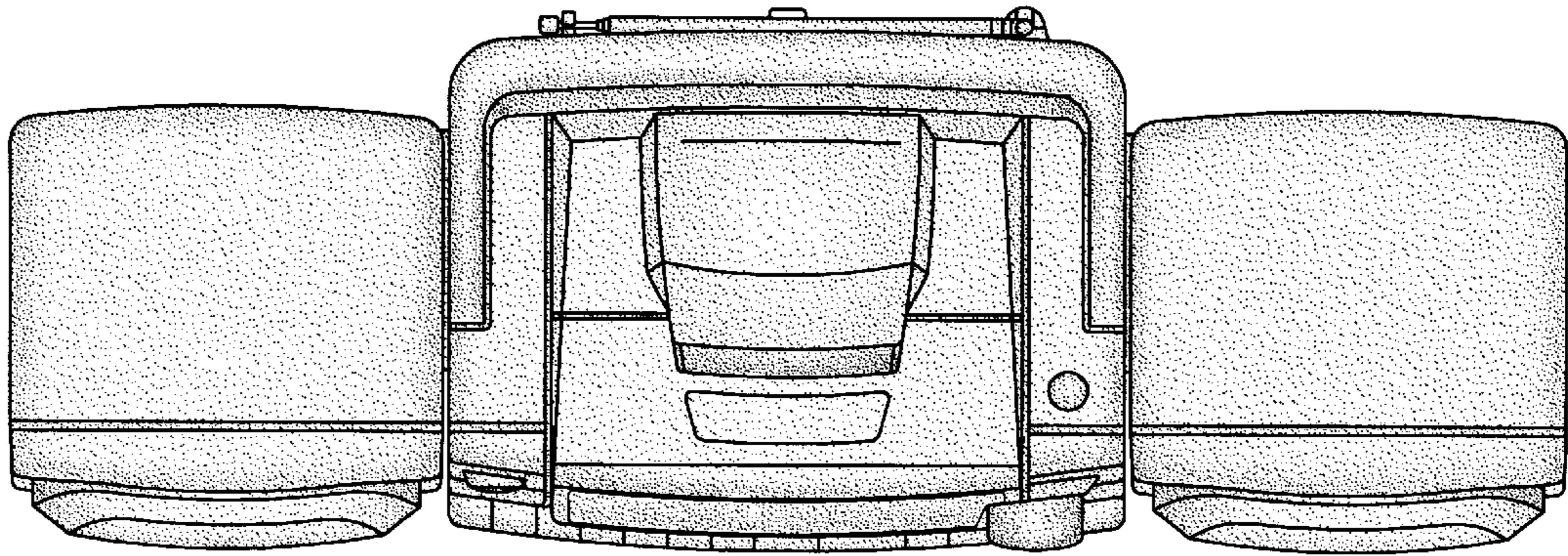


FIG. 3

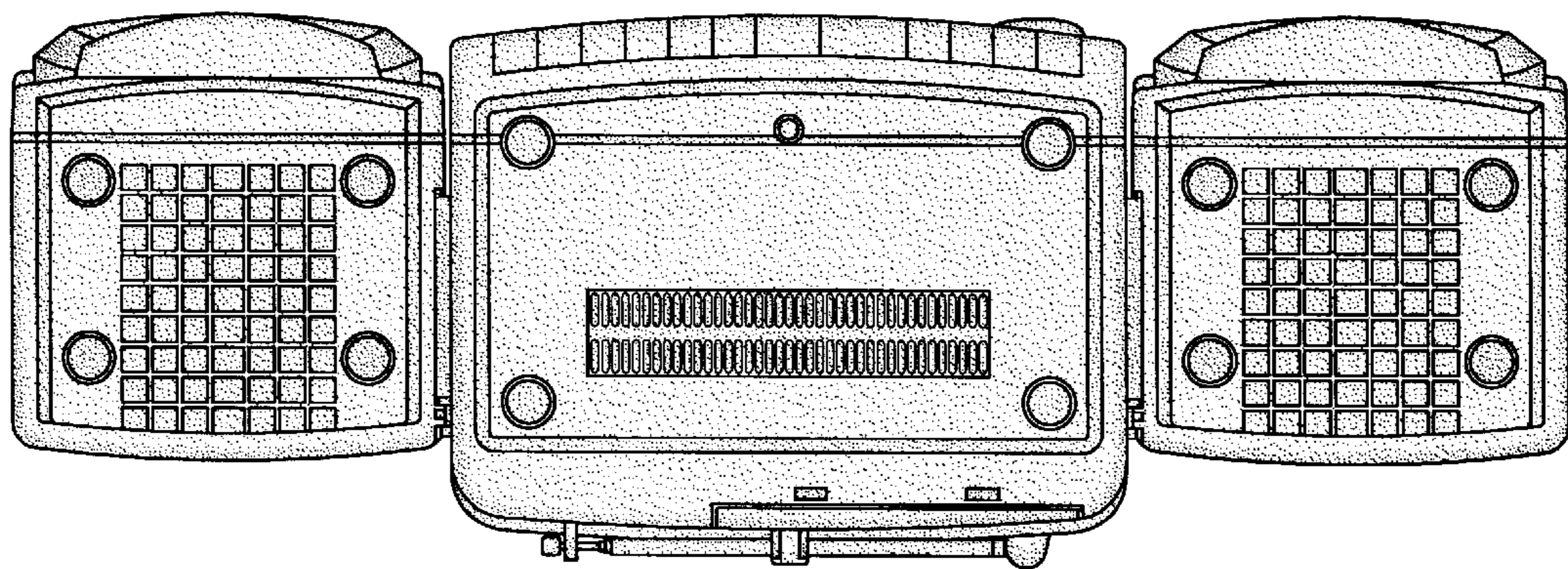


FIG. 4

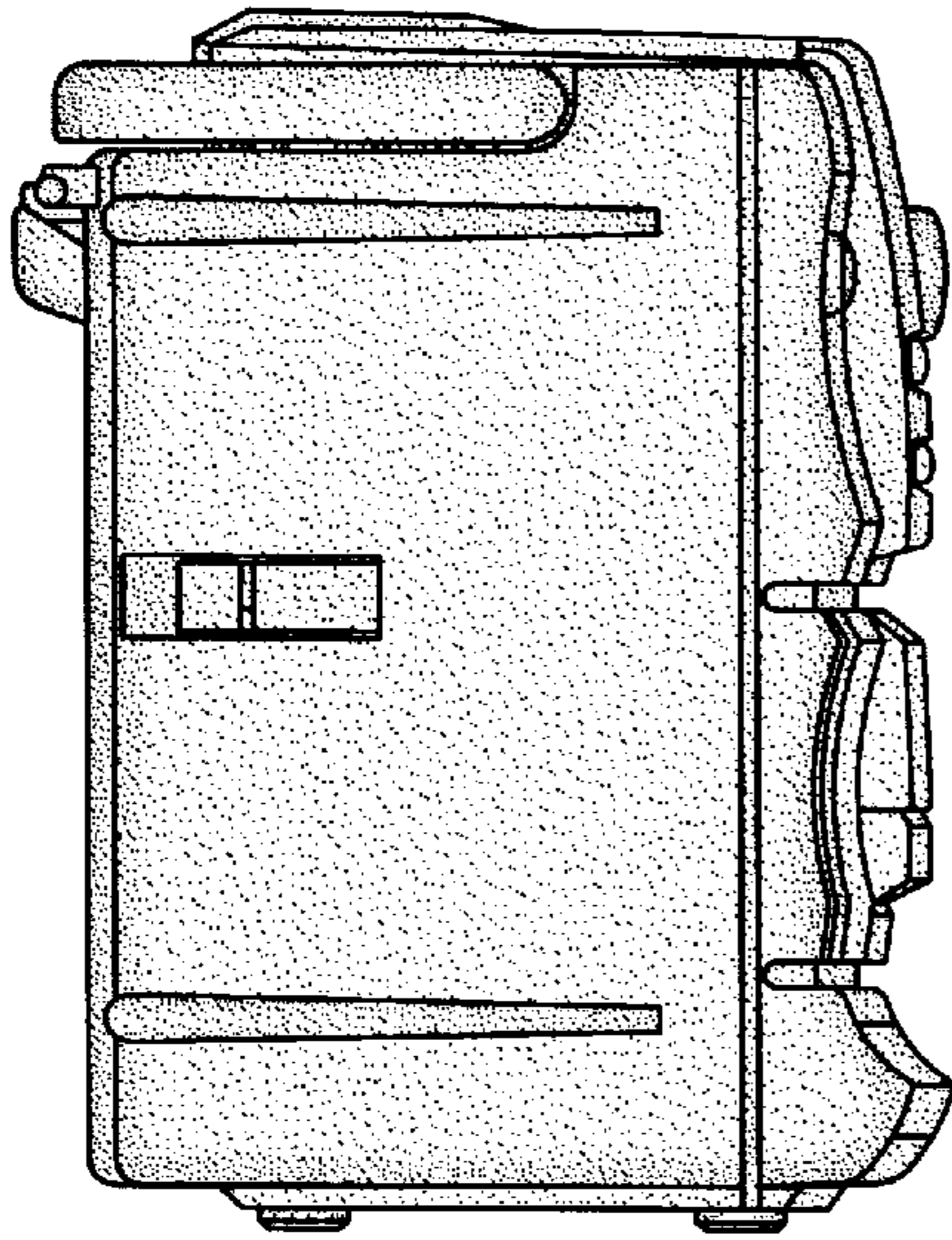


FIG. 5

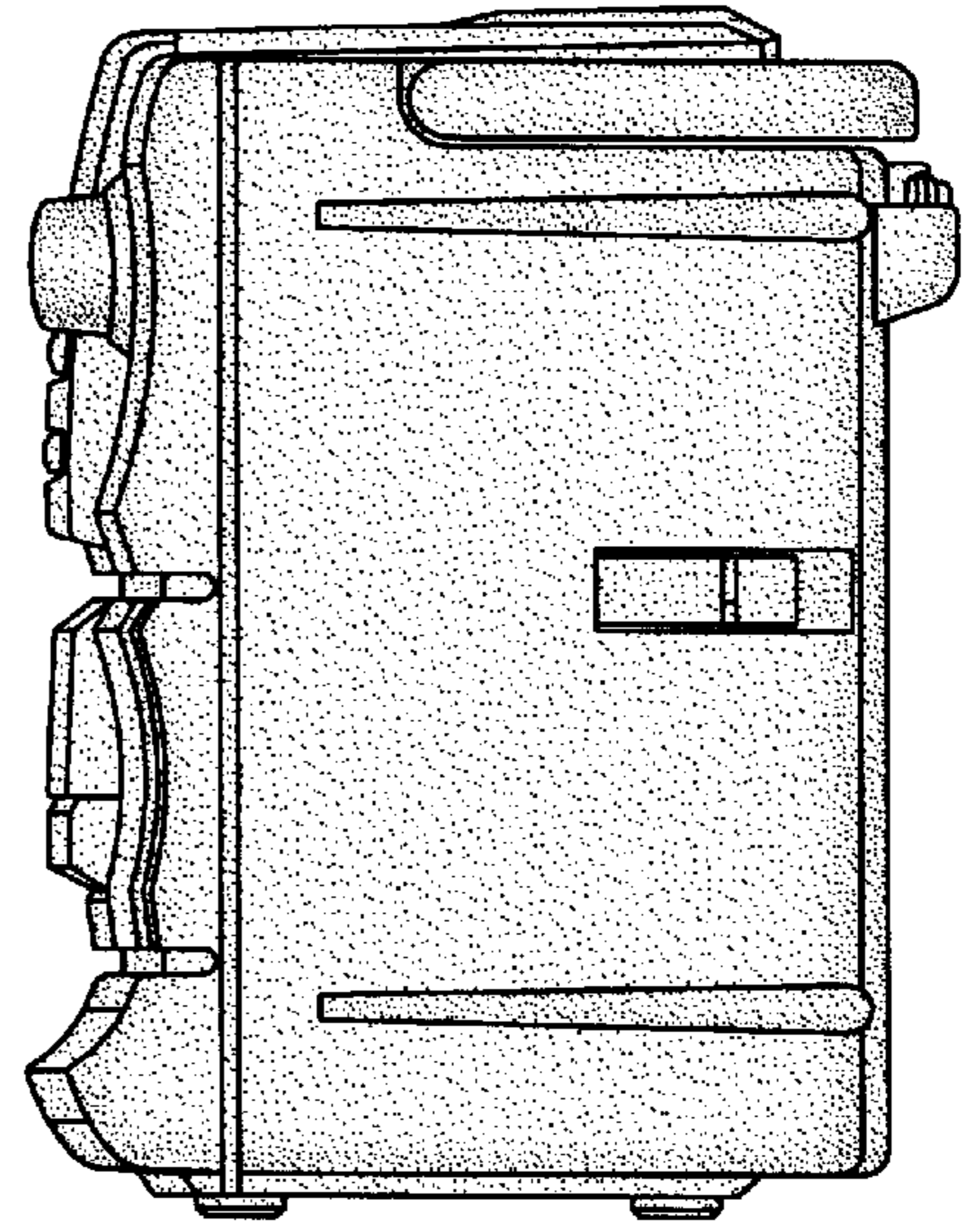


FIG. 6

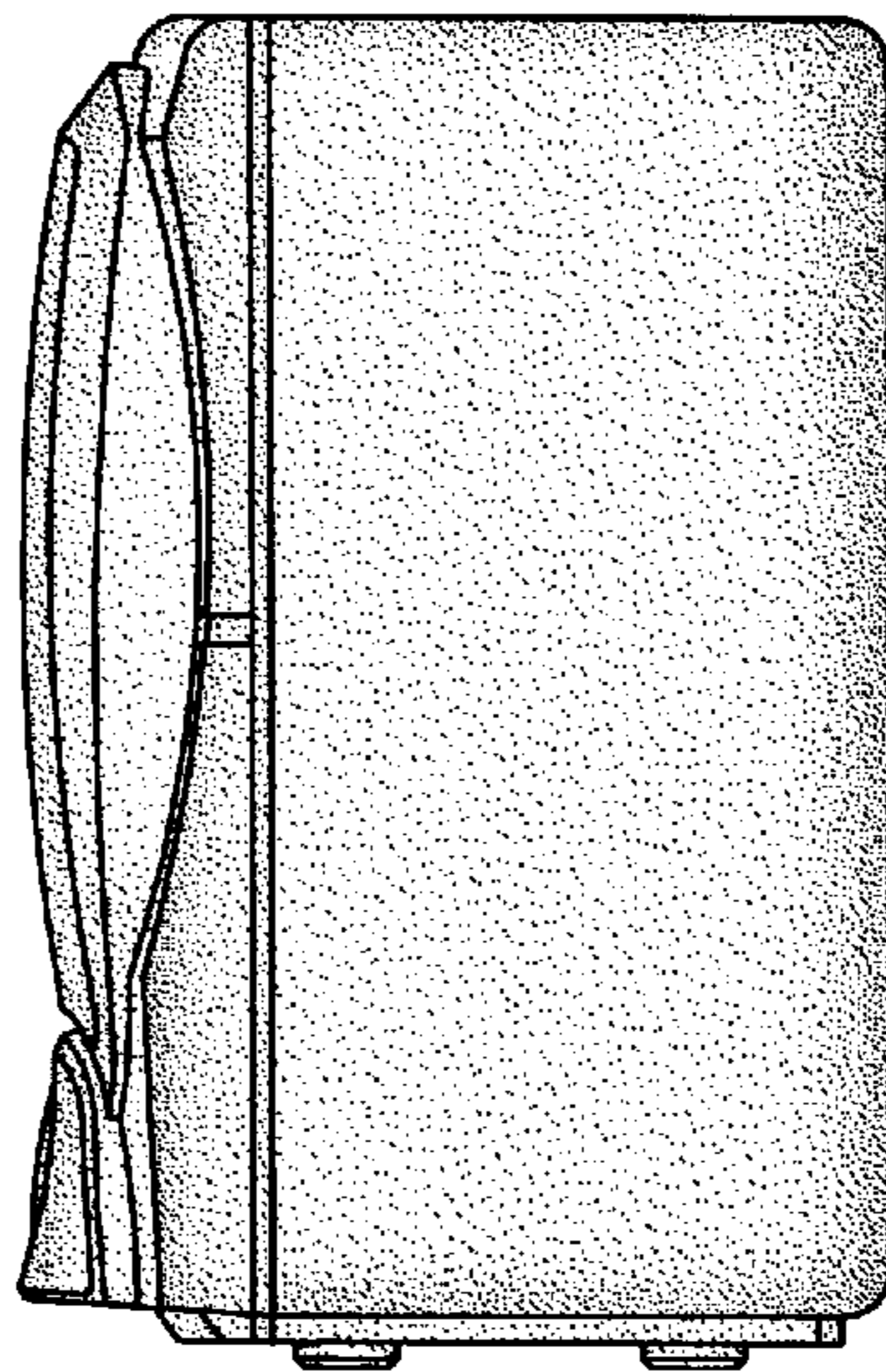


FIG. 7