



US00D434022S

United States Patent [19] Takahashi

[11] **Patent Number: Des. 434,022**

[45] **Date of Patent: ** Nov. 21, 2000**

[54] **DISC PLAYER**

[75] Inventor: **Hitoshi Takahashi**, Tokyo, Japan

[73] Assignee: **Sony Corporation**, Japan

[**] Term: **14 Years**

[21] Appl. No.: **29/102,792**

[22] Filed: **Mar. 31, 1999**

[51] **LOC (7) Cl. 14-01**

[52] **U.S. Cl. D14/156**

[58] **Field of Search** D14/107, 135-136,
D14/156, 160, 162, 164, 167, 168, 197-198,
257, 258; 369/75.1, 75.2, 77.1, 77.2

[56] **References Cited**

U.S. PATENT DOCUMENTS

D. 288,923	3/1987	Miyashita	D14/135
D. 307,898	5/1990	Shim	D14/135
D. 319,237	8/1991	Ito et al.	D14/164
D. 394,260	5/1998	Ito et al.	D14/168 X
5,177,730	1/1993	Utsugi	369/75.1
5,617,396	4/1997	Choi	369/77.2

OTHER PUBLICATIONS

Catalog, "90," pp. 115, 119, 125, 126 and 140, Sony (Nov. 1998).

Catalog, "Sony Style," 3 sheets Sony (Fall/Winter 1998).

Primary Examiner—Nanda Bondade
Attorney, Agent, or Firm—Rader, Fishman & Grauer

[57] **CLAIM**

The ornamental design for a disc player, as shown and described.

DESCRIPTION

FIG. 1 is a perspective view of a first embodiment of a disc player showing my new design;

FIG. 2 is a top plan view thereof;

FIG. 3 is a bottom plan view thereof;

FIG. 4 is a front elevational view thereof;

FIG. 5 is a rear elevational view thereof;

FIG. 6 is a left side elevational view thereof;

FIG. 7 is a right side elevational view thereof;

FIG. 8 is another perspective view thereof, wherein the main lid portion is in the open position; and,

FIG. 9 is yet another perspective view thereof, wherein the lower lid portion is in the open position.

The broken line showing of the inside of the disc player on FIGS. 8 and 9 is for illustrative purposes only and forms no part of the claimed design.

1 Claim, 6 Drawing Sheets

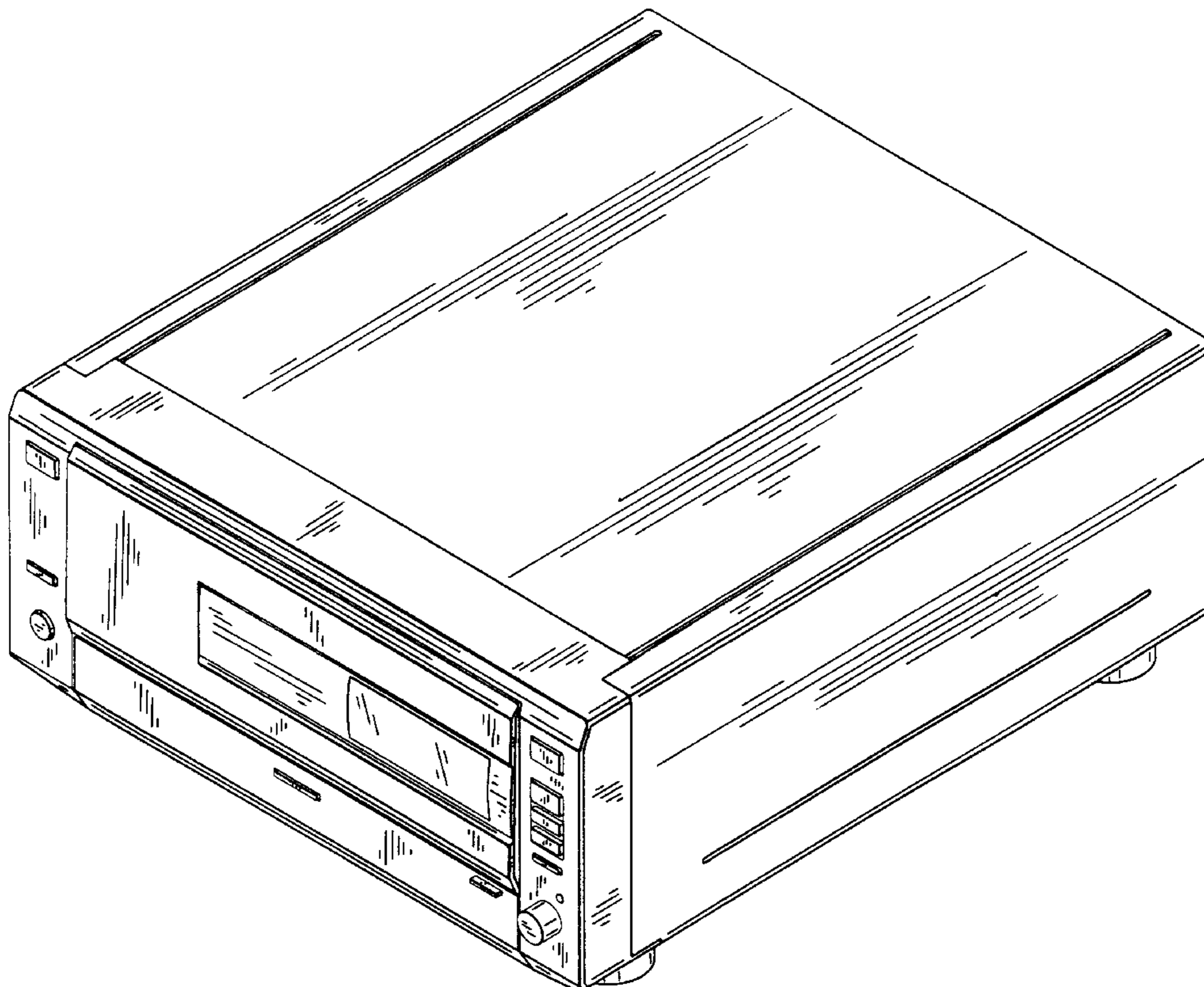


FIG. 1

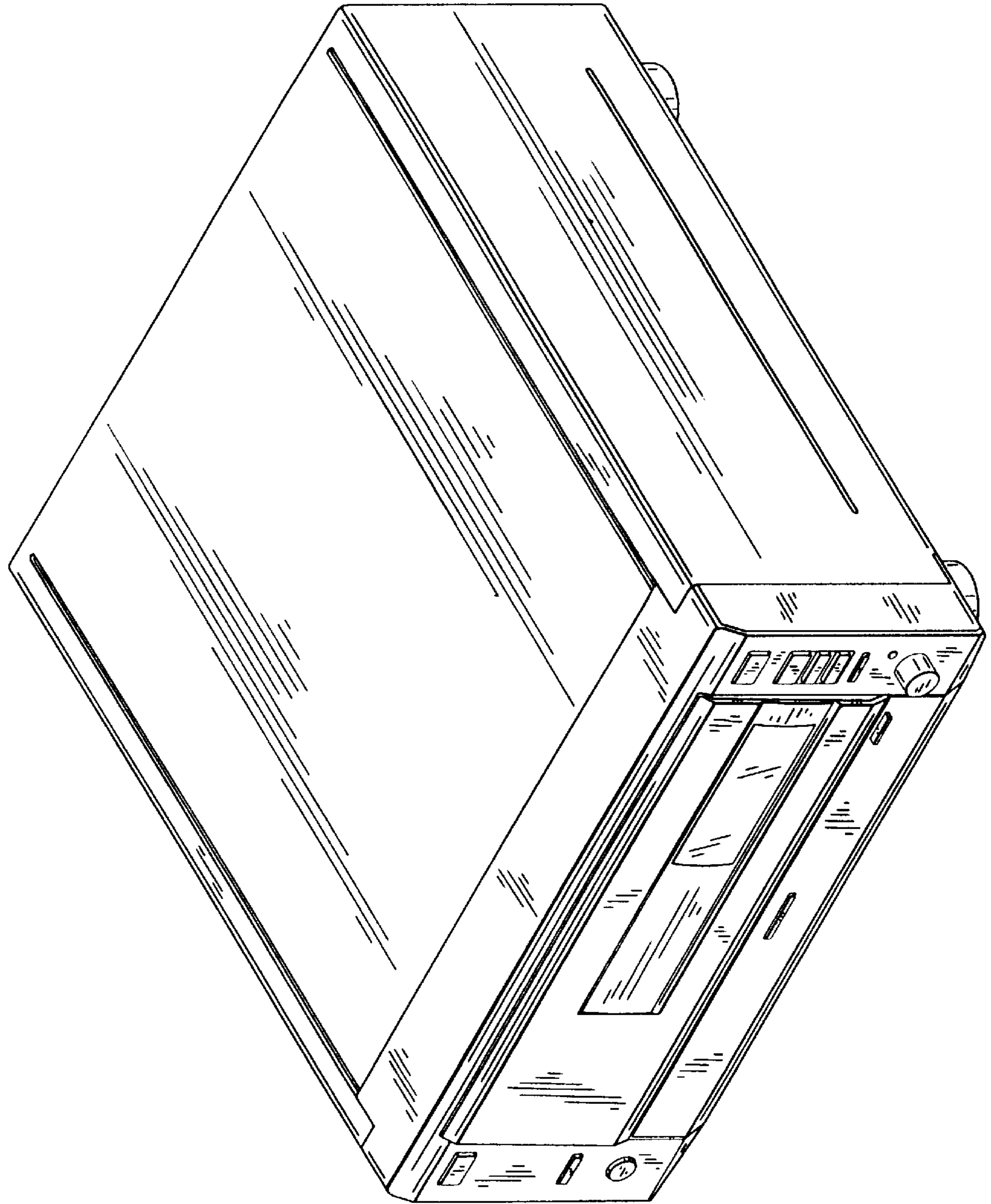


FIG. 3

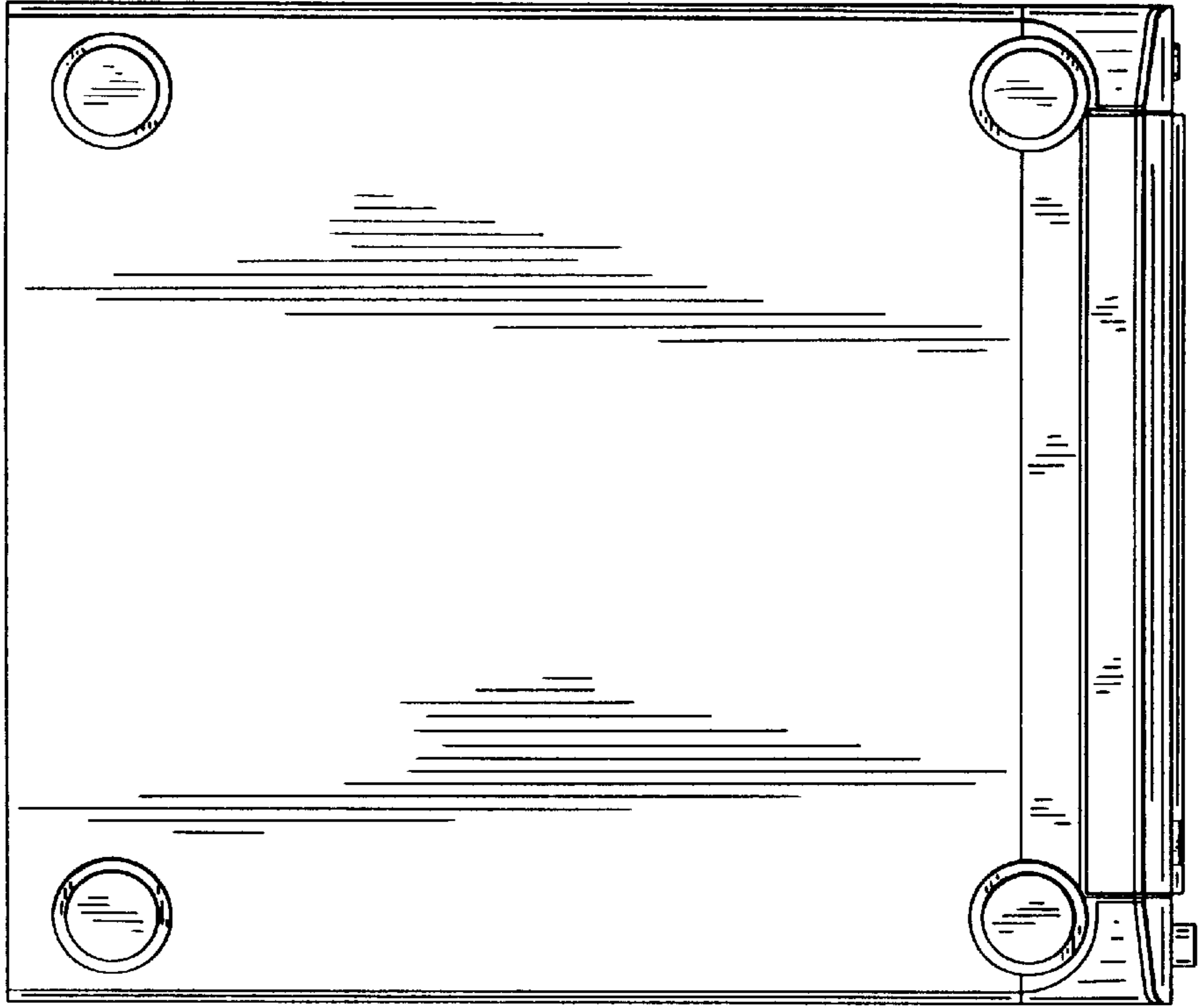


FIG. 2

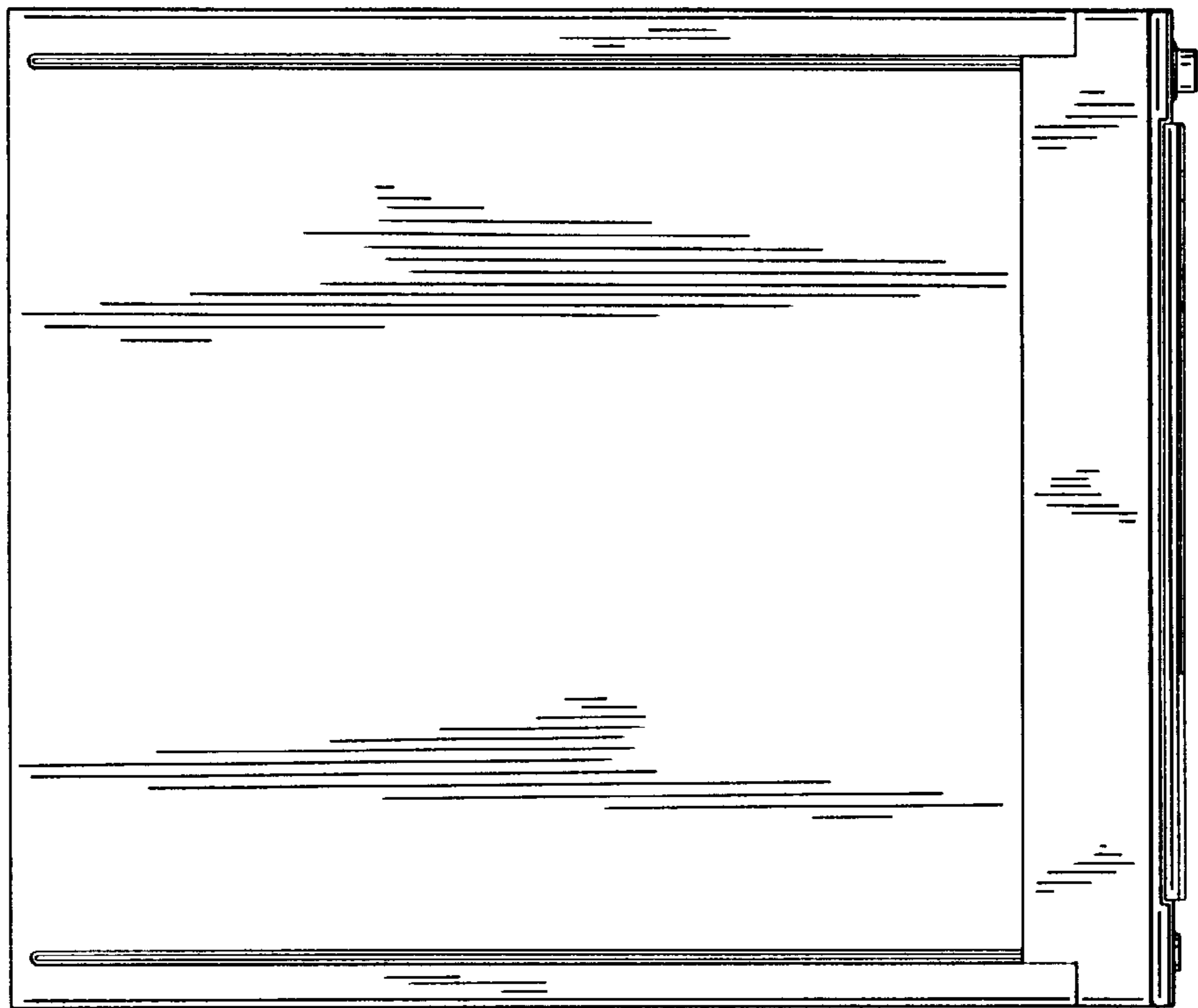


FIG. 5

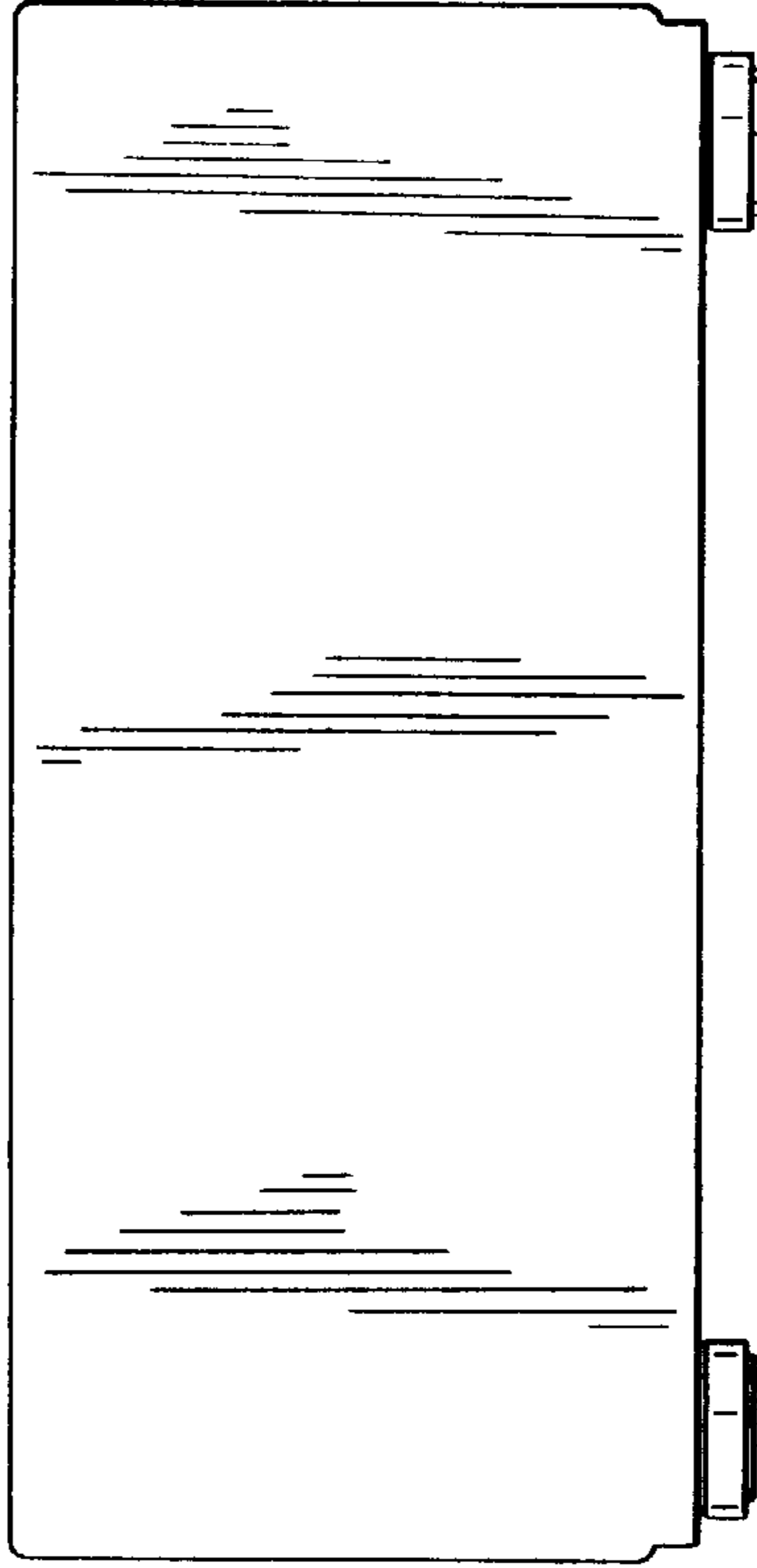


FIG. 4

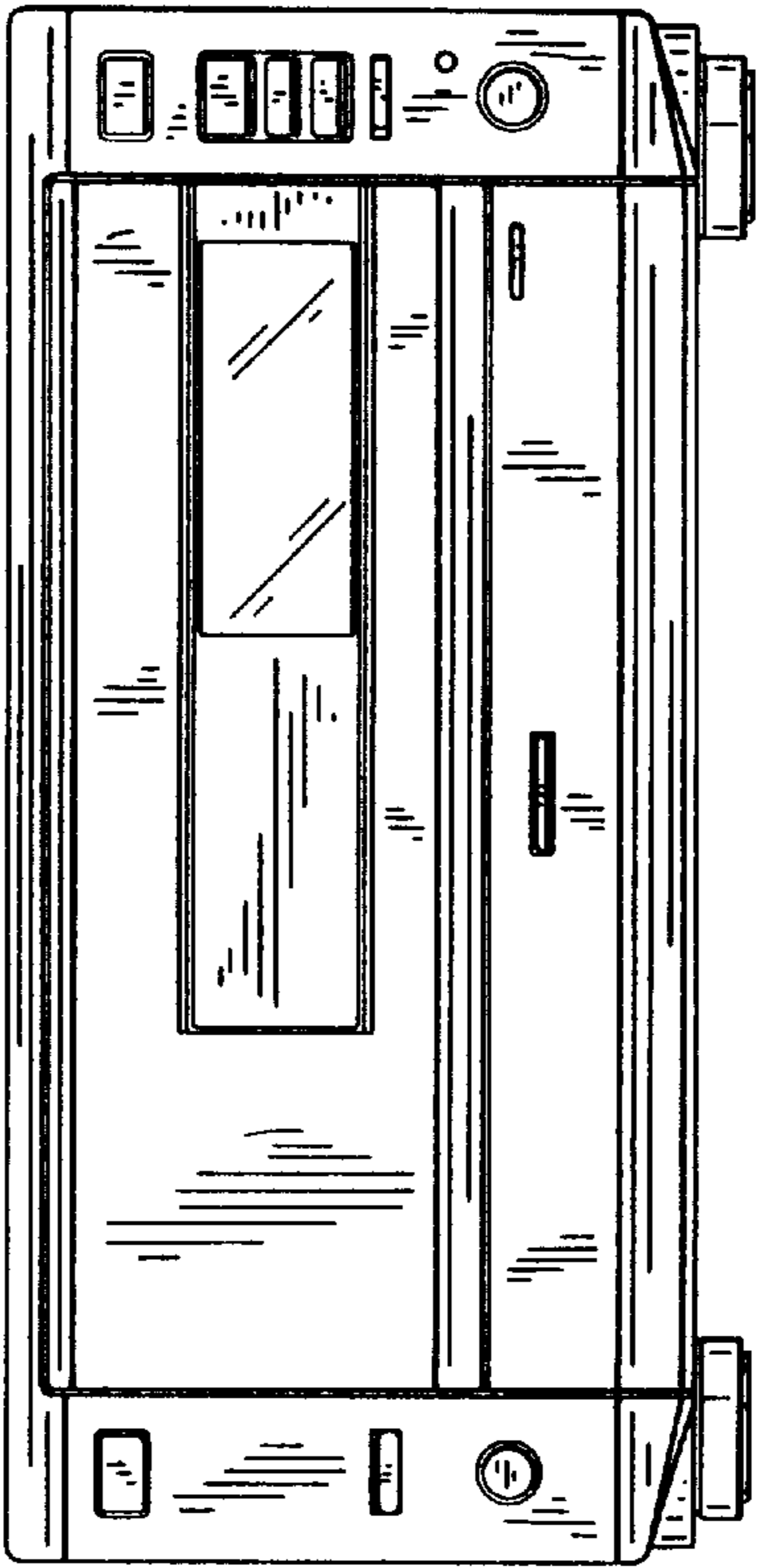


FIG. 7

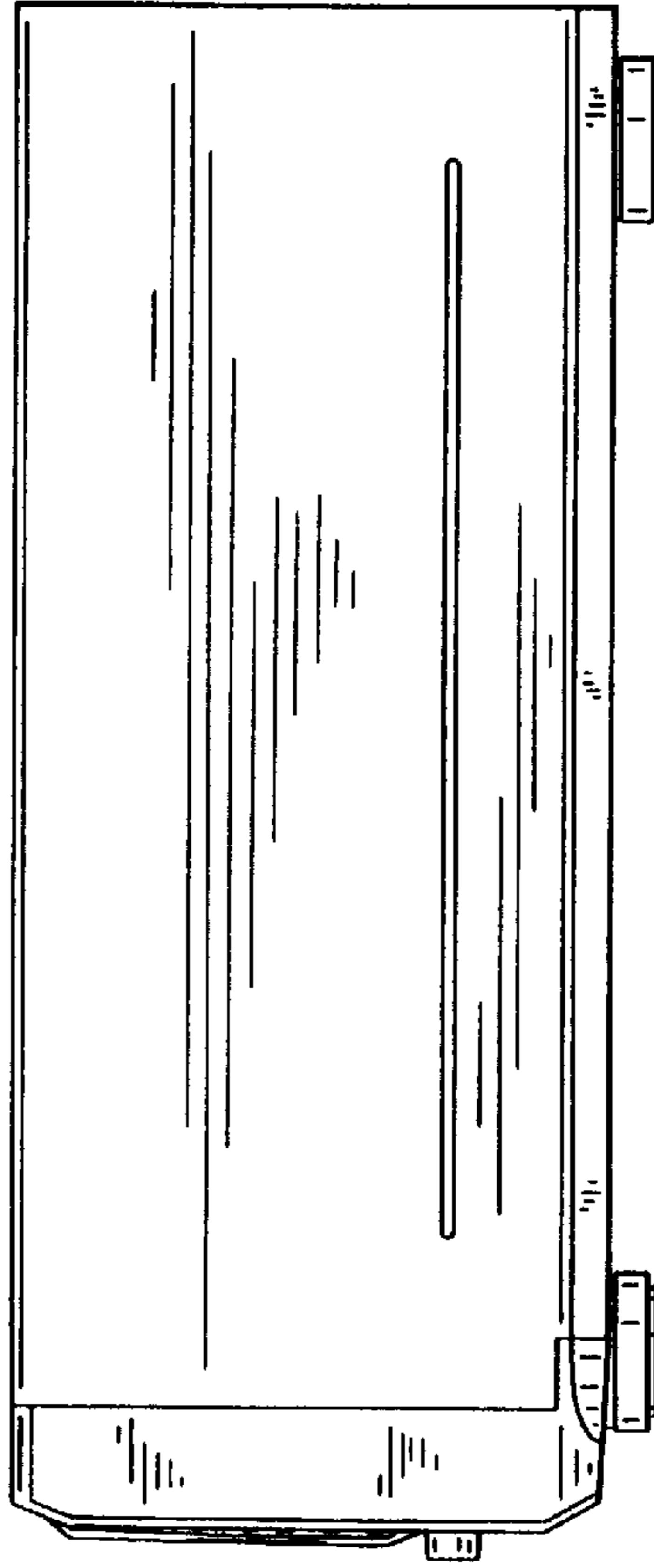


FIG. 6

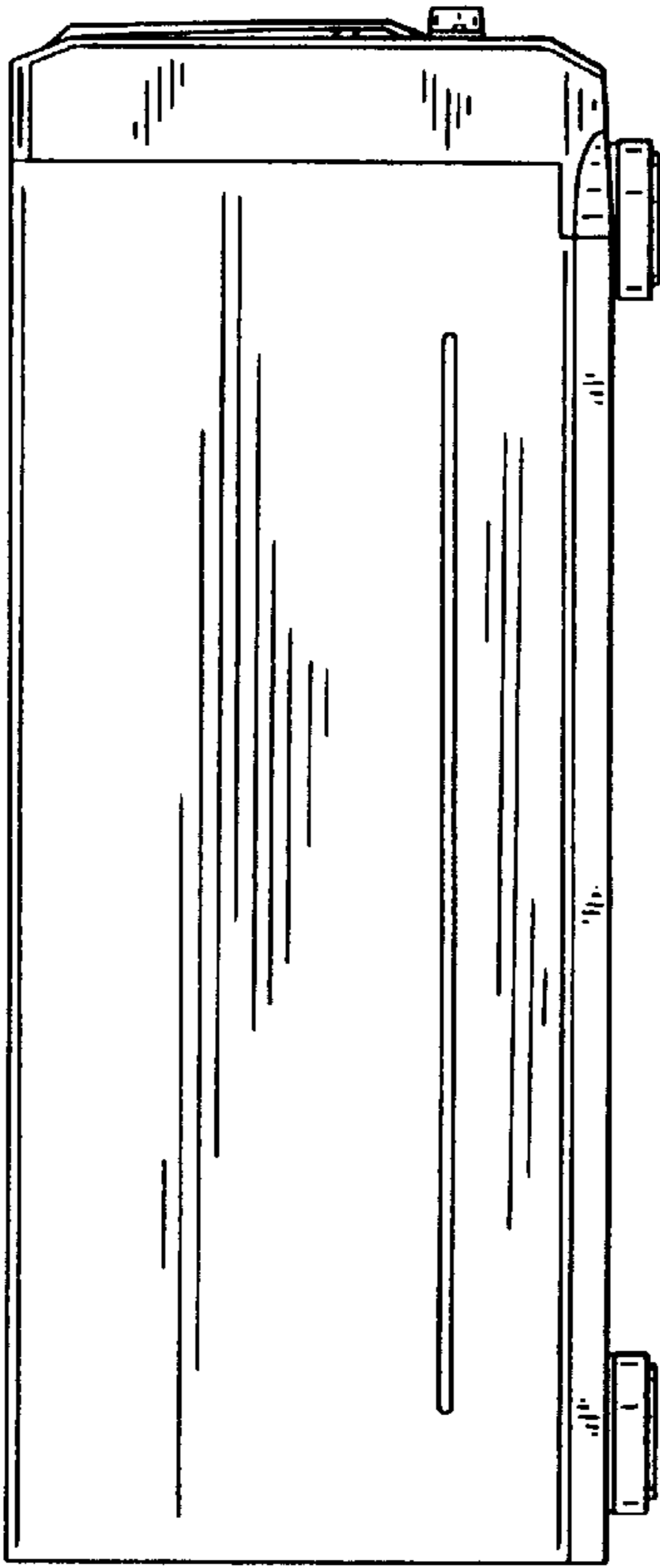


FIG. 8

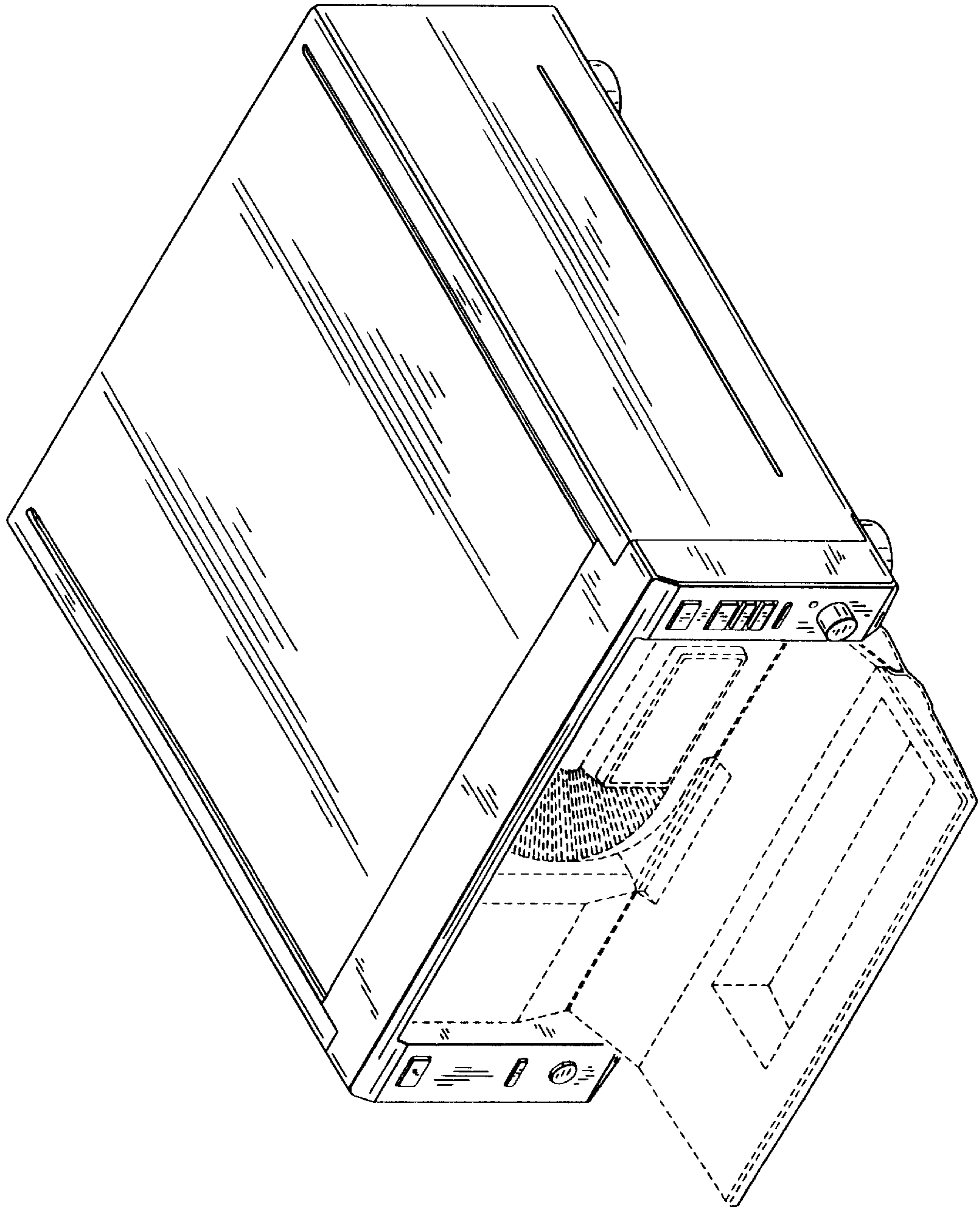


FIG. 9

