



US00D434012S

United States Patent [19]

Krieser, Sr.

[11] Patent Number: Des. 434,012

[45] Date of Patent: ** Nov. 21, 2000

[54] REMOTE CONTROL ELECTRICAL SHUT-OFF DEVICE

5,722,452 3/1998 Gilmore .
5,813,655 9/1998 Pinchott et al. .

[76] Inventor: Bill Krieser, Sr., 389 Willow Grove Dr., Pewaukee, Wis. 53072

Primary Examiner—Brian N. Vinson

[**] Term: 14 Years

[57] CLAIM

The ornamental design for a remote control electrical shut-off device, as shown and described.

[21] Appl. No.: 29/112,078

DESCRIPTION

[22] Filed: Oct. 8, 1999

[51] LOC (7) Cl. 14-03

[52] U.S. Cl. D13/168

[58] Field of Search D13/168; D10/106; D14/174, 191, 218; D21/324; 200/293-293.1, 298, 330-331; 340/825.22-825.23, 825.69, 825.72; 341/176; 455/128

FIG. 1 is a front elevational view of the remote control electrical shut-off device of the present invention; FIG. 2 is a rear elevational view of the remote control electrical shut-off device of FIG. 1; FIG. 3 is a left side elevational view of the remote control electrical shut-off device of FIG. 1, the right view being a mirror image thereof; FIG. 4 is a right side elevational view of the remote control electrical shut-off device of FIG. 1, the left view being a mirror image thereof; FIG. 5 is a top plan view of the remote control electrical shut-off device of FIG. 1; and, FIG. 6 is a bottom plan view of the remote control electrical shut-off device of FIG. 1.

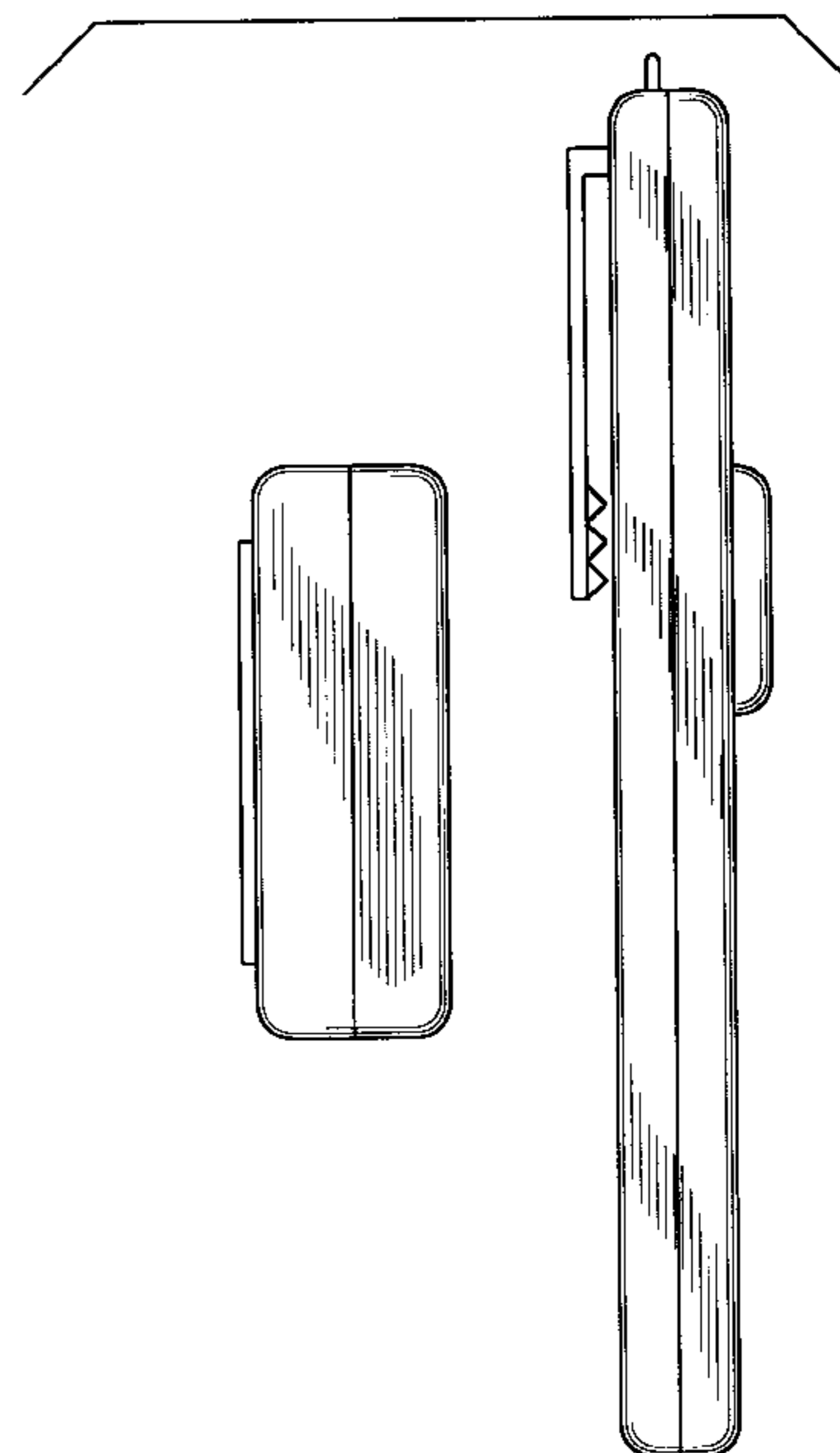
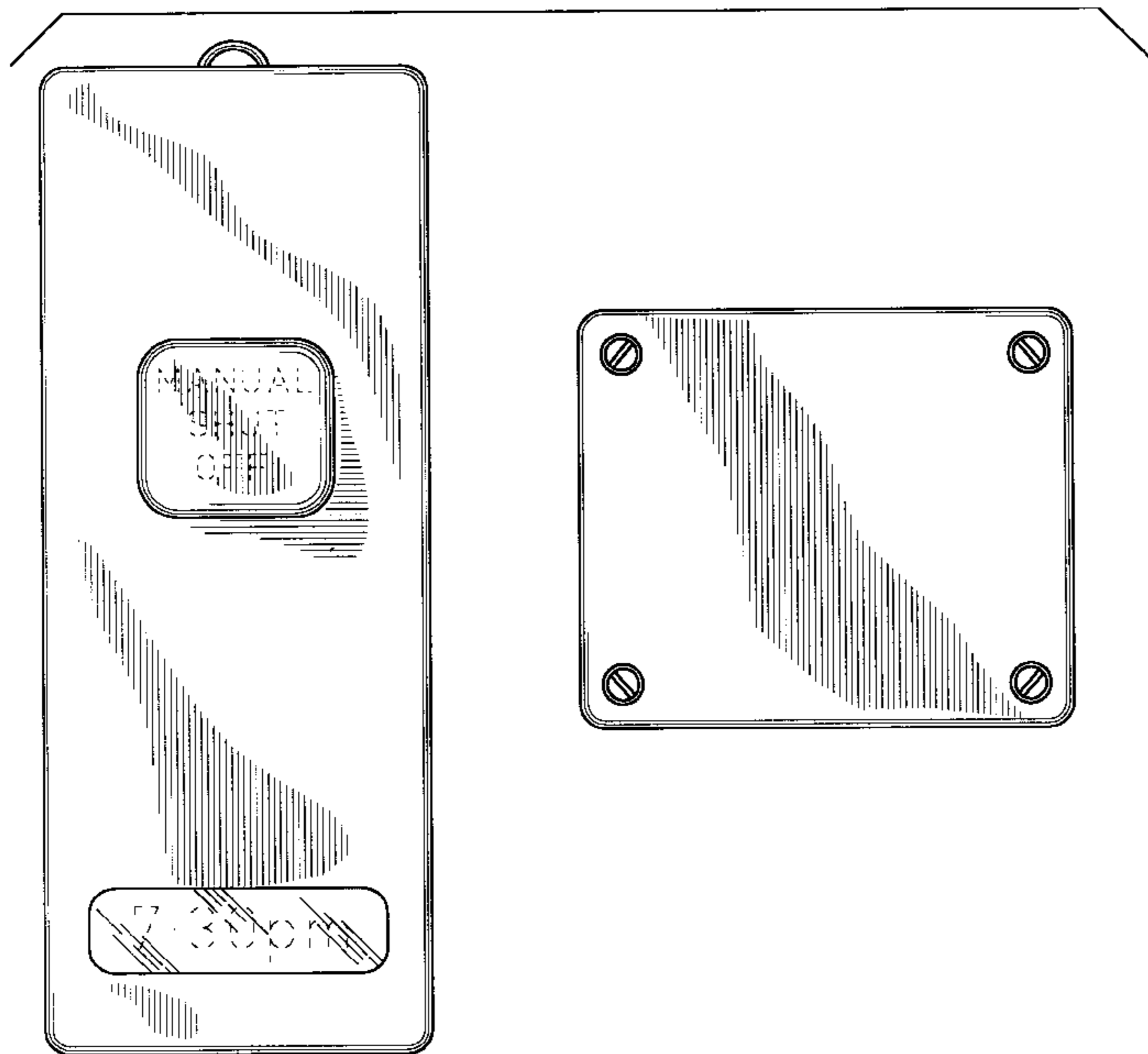
[56] References Cited

U.S. PATENT DOCUMENTS

D. 322,244	12/1991	Bishai	D13/168
D. 405,424	2/1999	Winkler et al.	D13/168
D. 413,579	9/1999	Mullet et al.	D13/168
D. 420,982	2/2000	Yuyama	D13/158
3,580,353	5/1971	Thompson	.	
4,380,796	4/1983	Ostby	.	
5,381,962	1/1995	Teague	.	
5,588,636	12/1996	Eichholz et al.	.	
5,721,550	2/1998	Lopez	.	

The broken lines showing of a number and letters in FIG. 1 are for illustrative purposes only and form no part of the claimed design

1 Claim, 3 Drawing Sheets



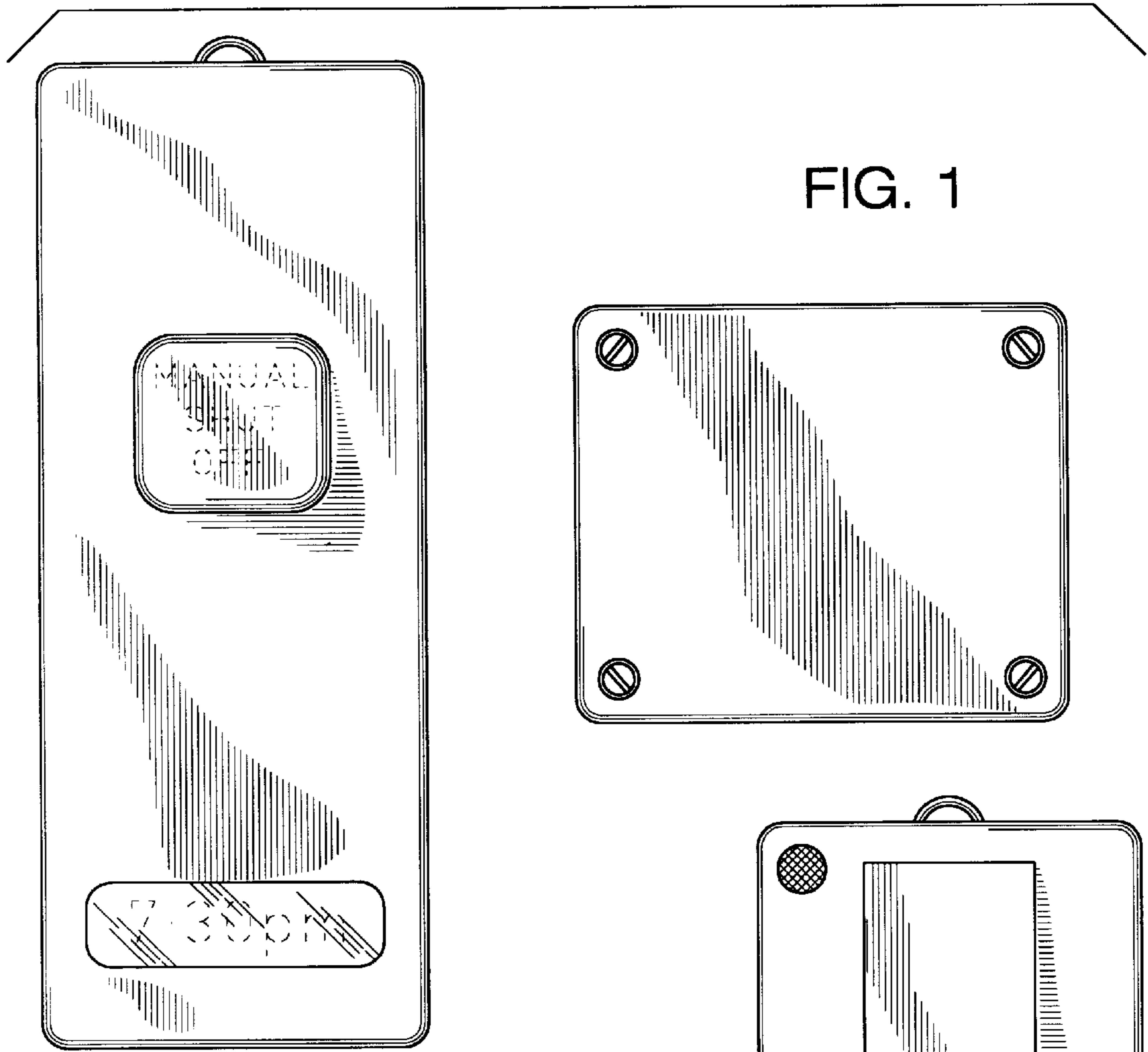


FIG. 1

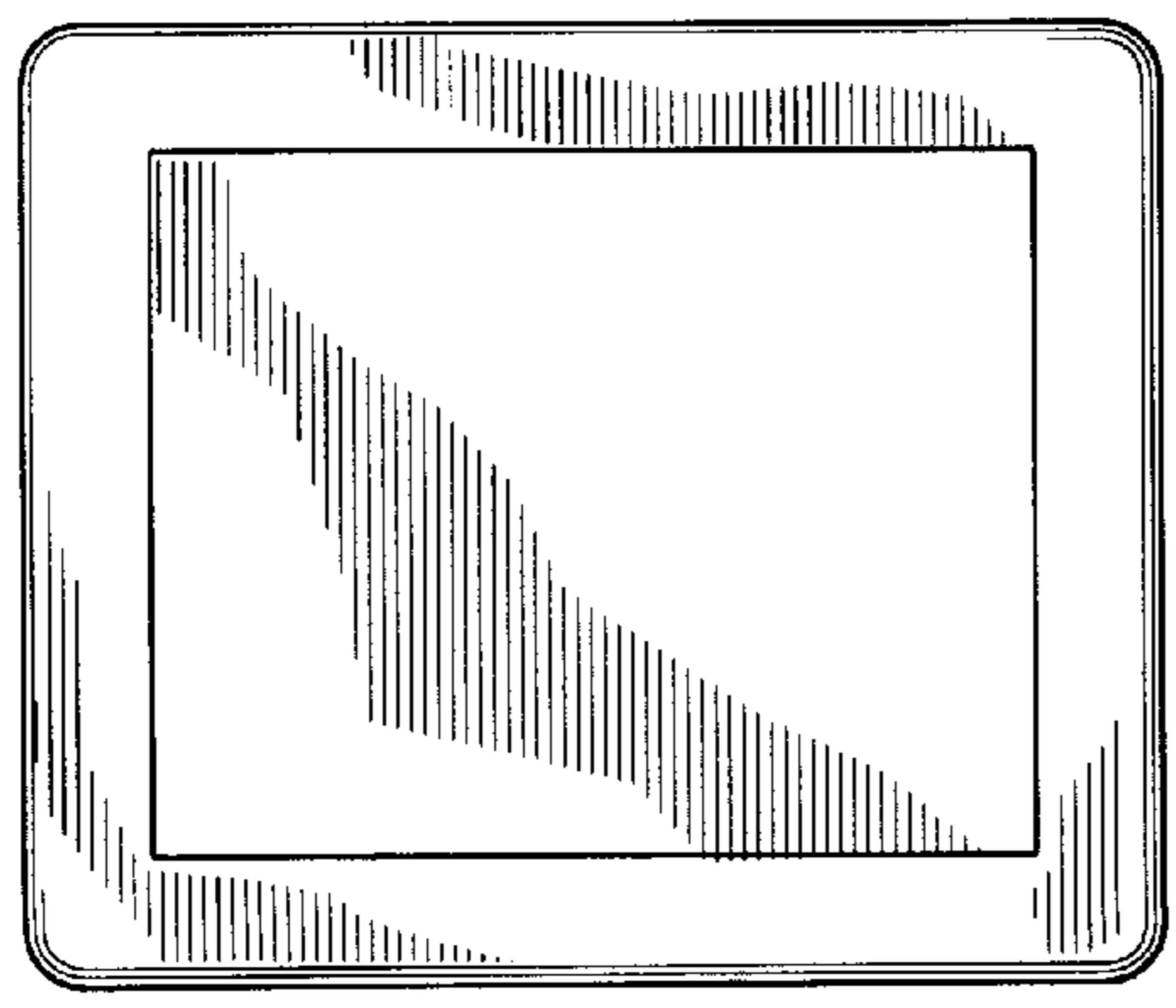


FIG. 2

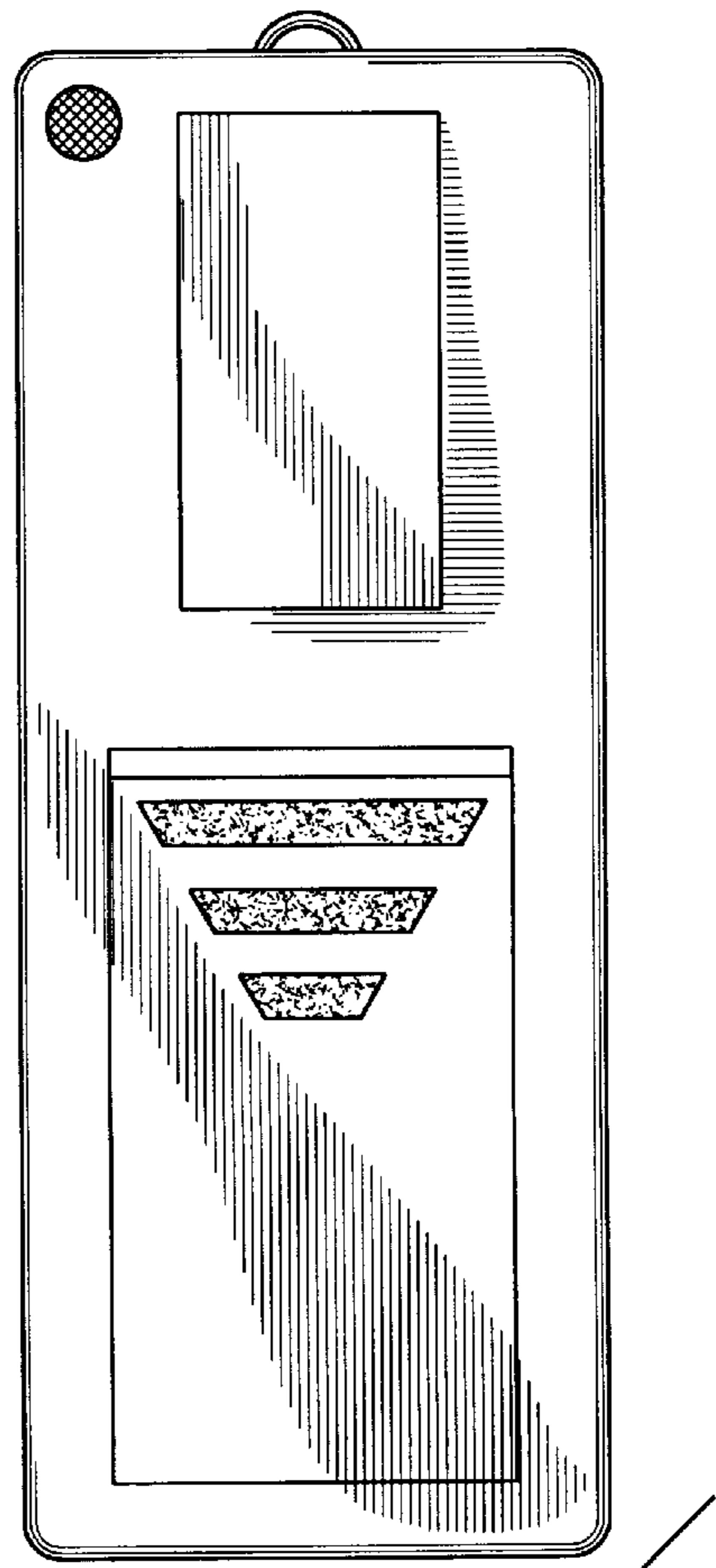


FIG. 3

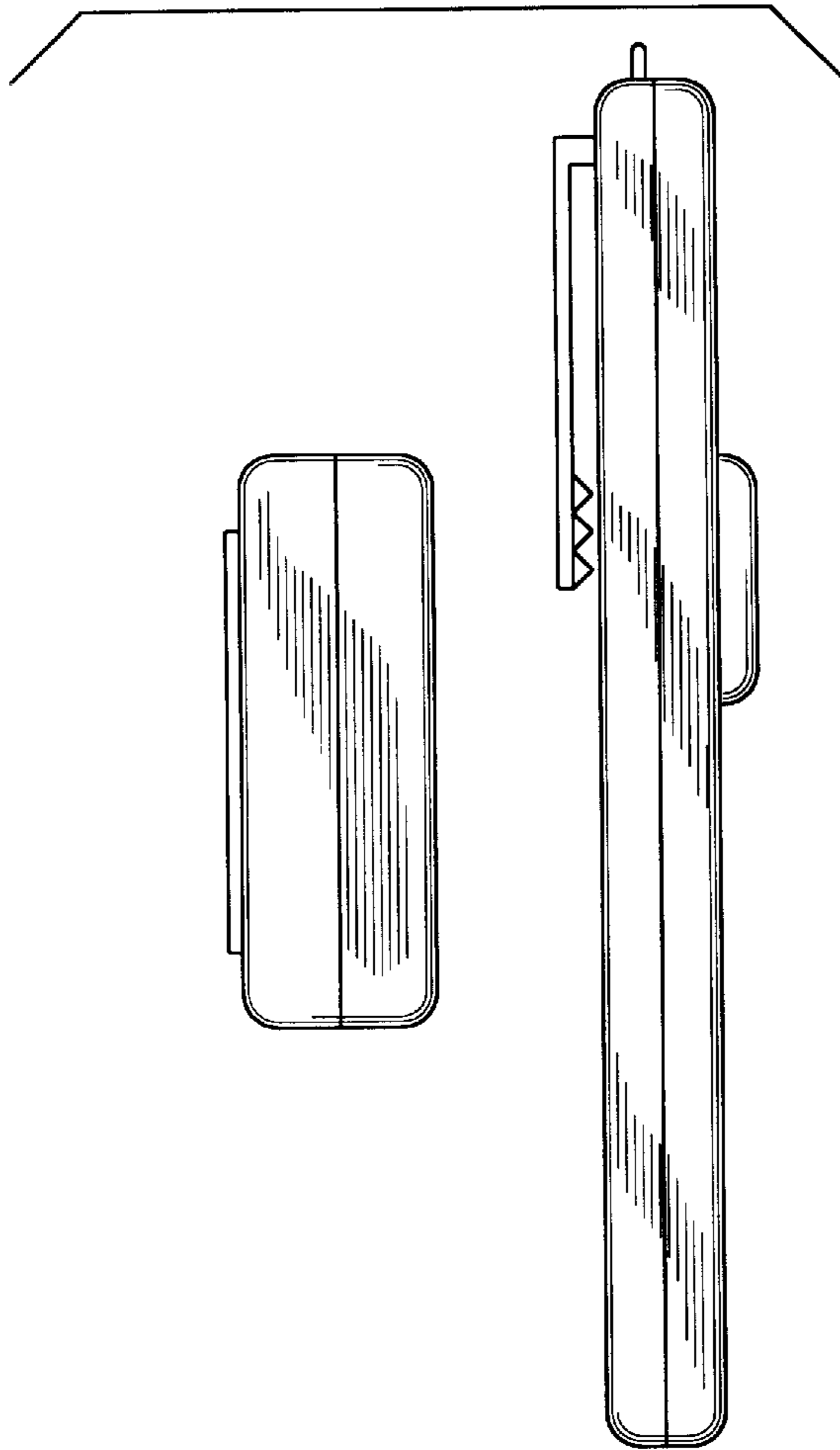


FIG. 4

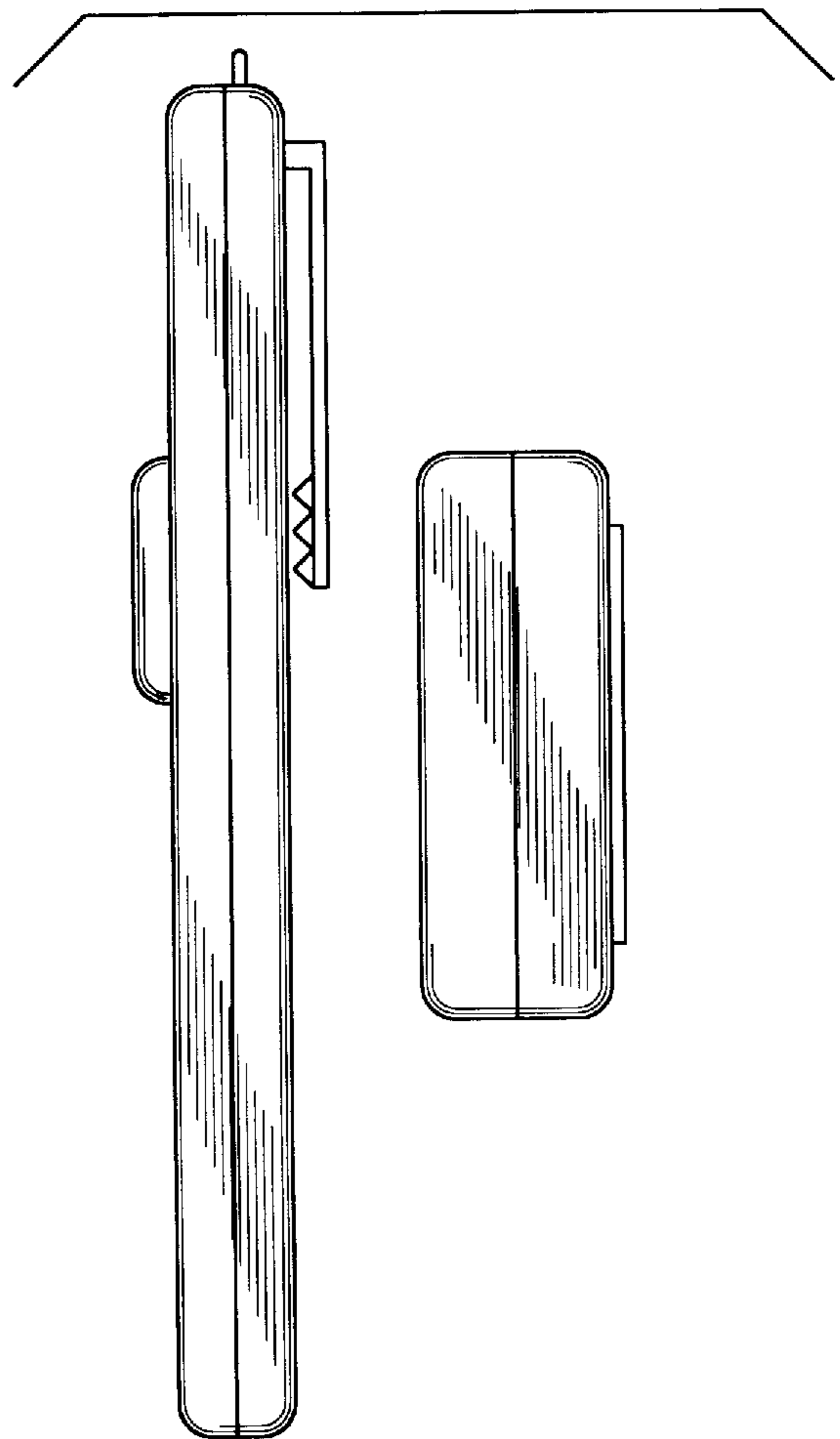


FIG. 5

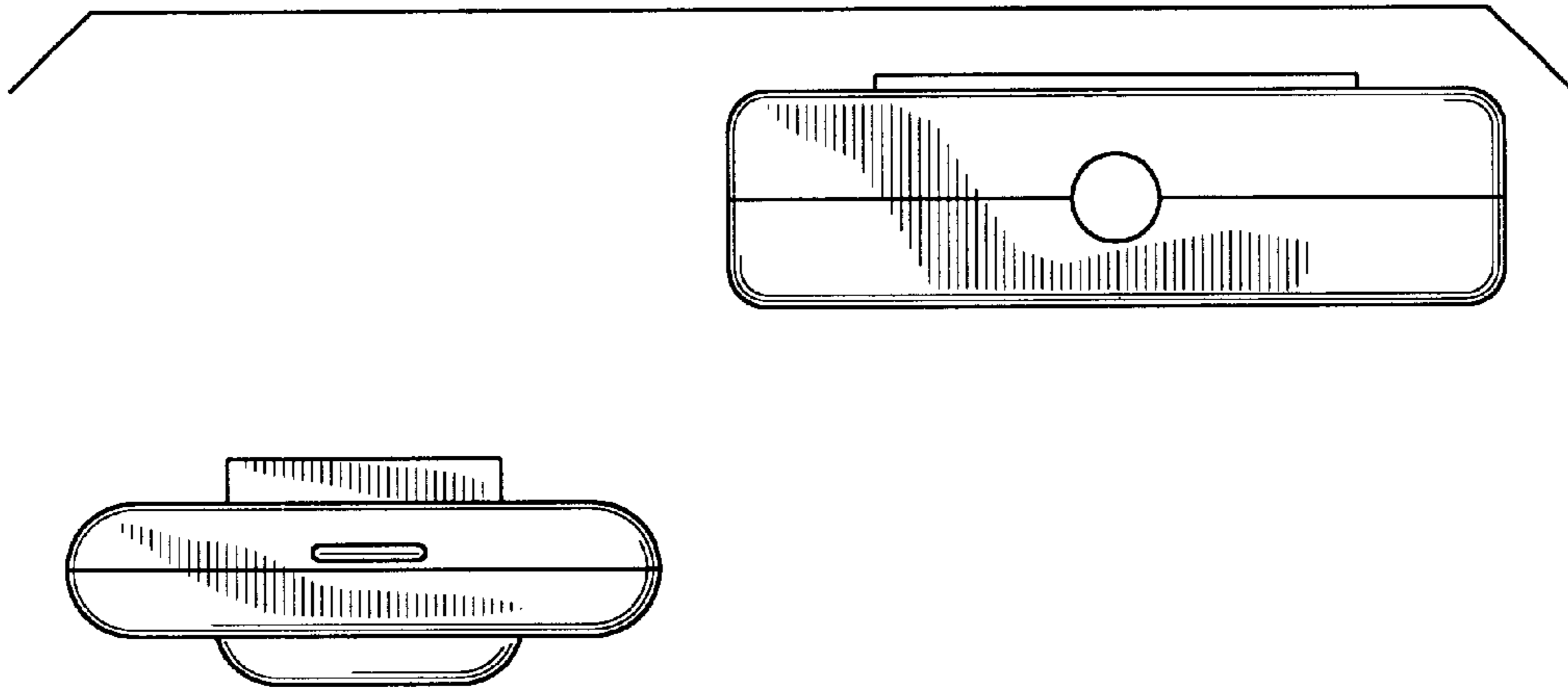


FIG. 6

