



US00D434010S

**United States Patent** [19]  
**Stekelenburg**

[11] **Patent Number: Des. 434,010**

[45] **Date of Patent: \*\* Nov. 21, 2000**

[54] **PLUG GROUND FAULT CIRCUIT INTERRUPTER**

D. 364,826 12/1995 Wu ..... D10/75  
D. 414,747 10/1999 Aromin ..... D13/160  
4,860,147 8/1989 Fai ..... 361/50

[75] Inventor: **Albert Stekelenburg**, Taipei, Taiwan

*Primary Examiner*—Brian N. Vinson  
*Attorney, Agent, or Firm*—Dougherty & Troxell

[73] Assignee: **All-Line Inc.**, Taipei, Taiwan

[\*\*] Term: **14 Years**

[57] **CLAIM**

[21] Appl. No.: **29/114,149**

The ornamental design for a plug ground fault circuit interrupter, as shown and described.

[22] Filed: **Nov. 19, 1999**

**DESCRIPTION**

[51] **LOC (7) Cl.** ..... **13-03**

FIG. 1 is a front view of a plug ground fault circuit interrupter showing the preferred embodiment of my new design;

[52] **U.S. Cl.** ..... **D13/160**

FIG. 2 is a right side elevational view thereof (left side elevational view is symmetrical as right side elevational view);

[58] **Field of Search** ..... D13/158, 160,  
D13/138.2, 138.1; 174/65 R, 77 R, 92;  
361/42, 45, 50

FIG. 3 is a bottom view thereof;

[56] **References Cited**

FIG. 4 is a rear view thereof;

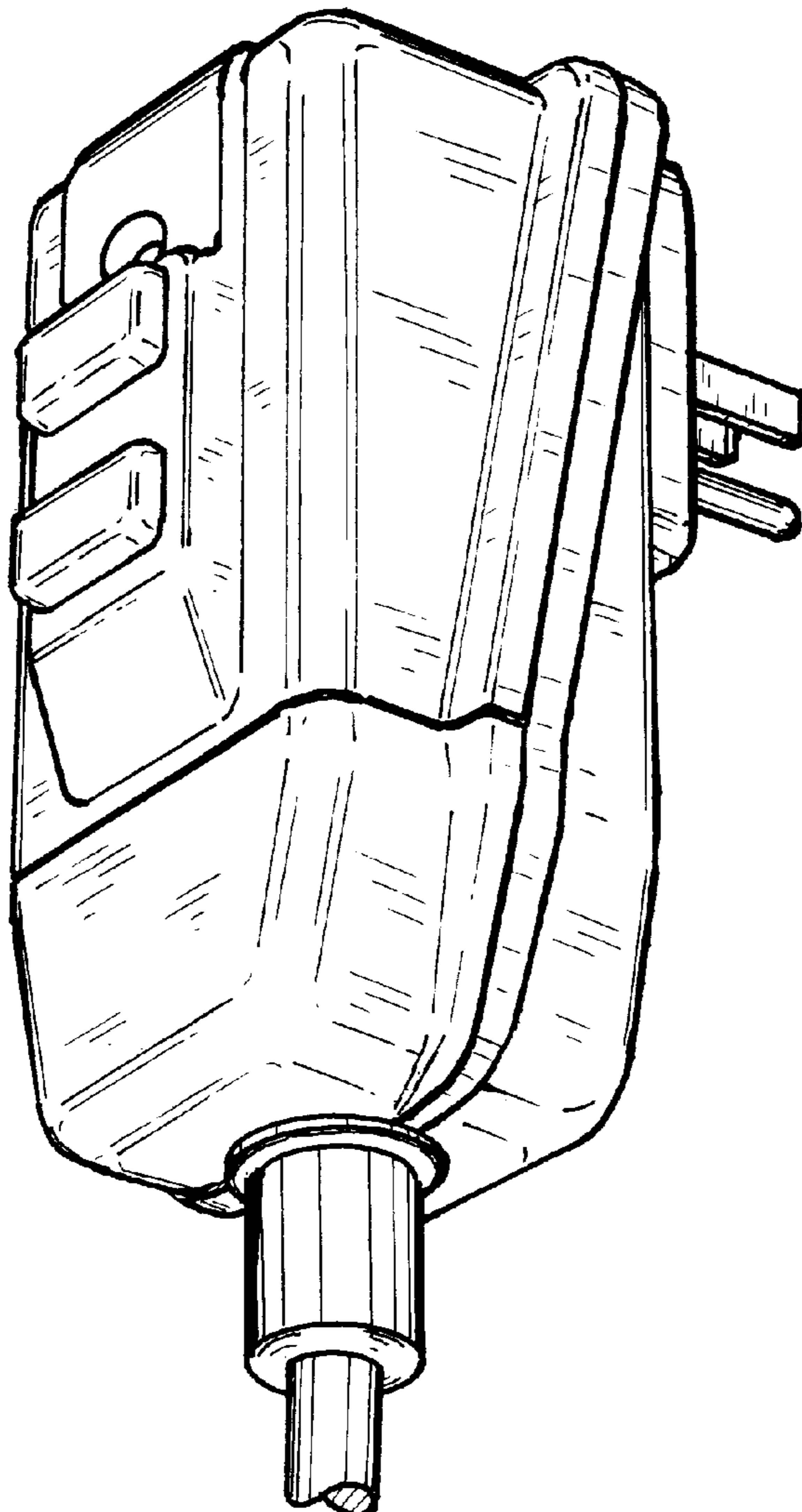
**U.S. PATENT DOCUMENTS**

FIG. 5 is a top elevational view thereof; and,

D. 325,380 4/1992 Rao et al. .... D13/160  
D. 341,816 11/1993 Nagano ..... D13/138.1  
D. 356,066 3/1995 Rao et al. .... D13/160

FIG. 6 is a perspective view thereof.

**1 Claim, 3 Drawing Sheets**



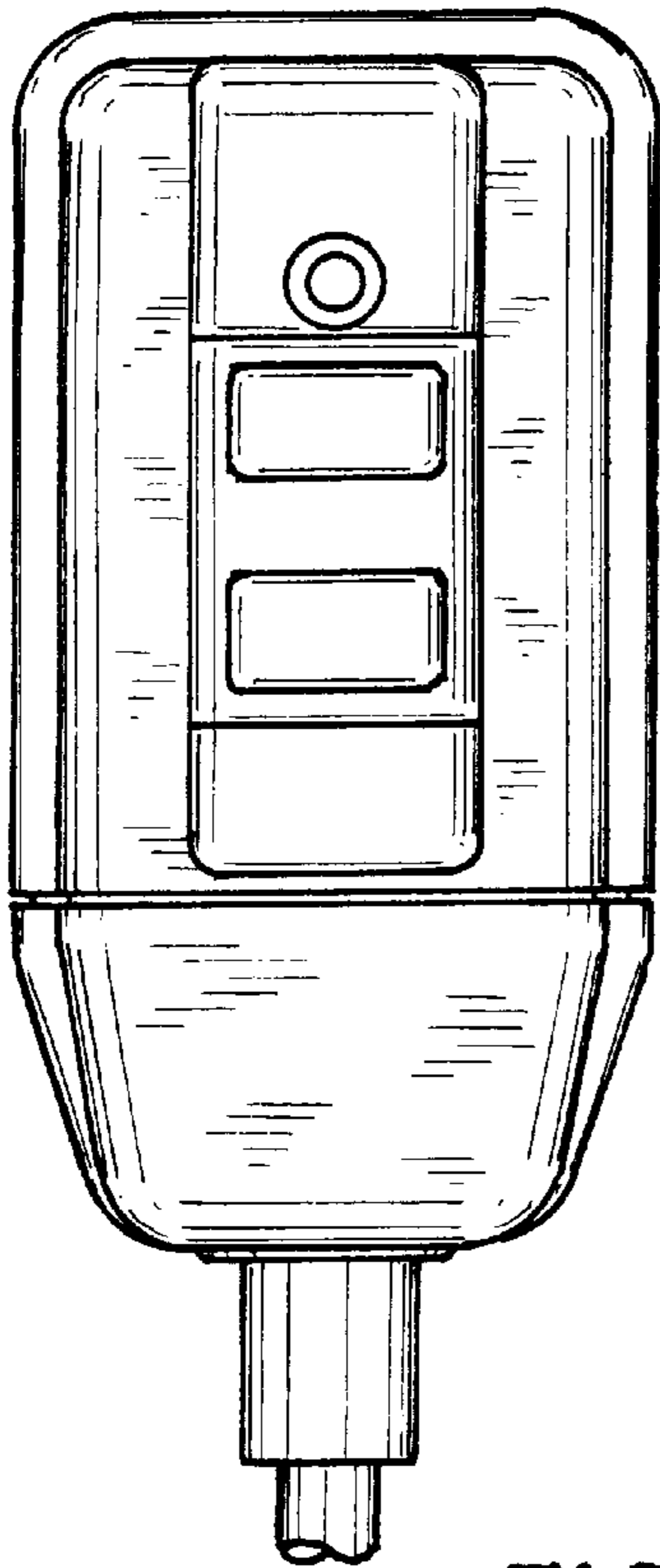


FIG. 1

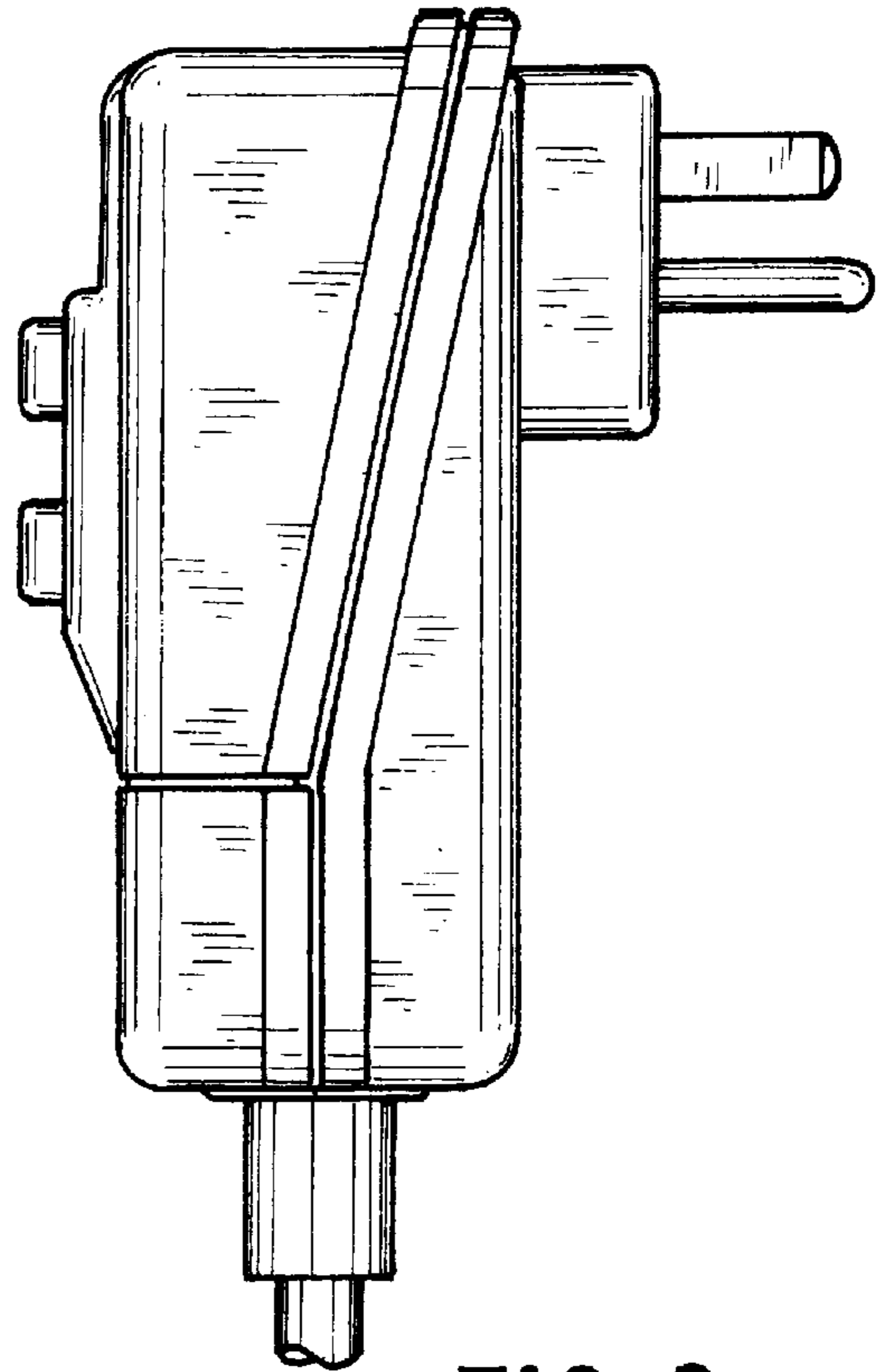


FIG. 2

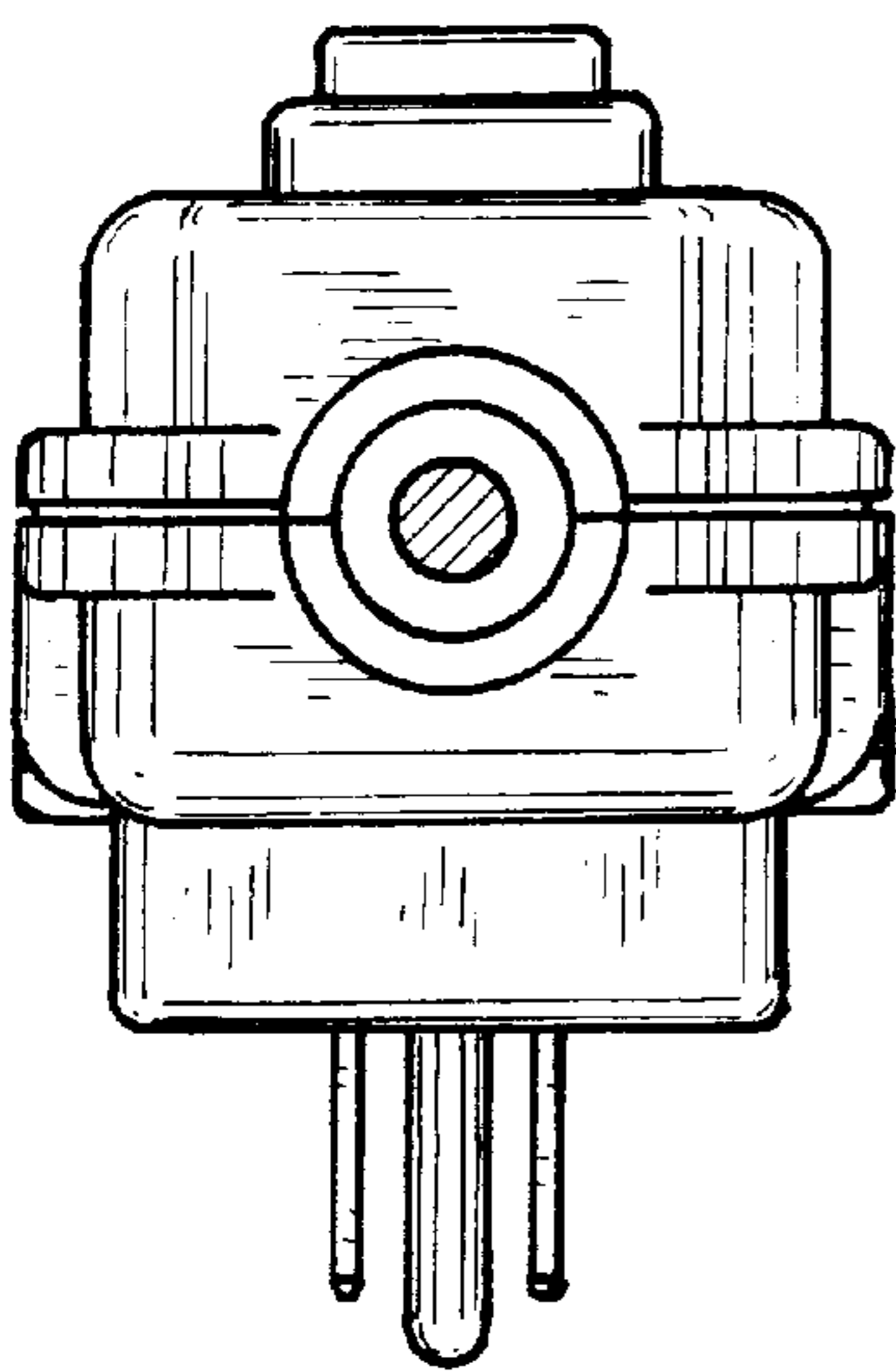


FIG. 3

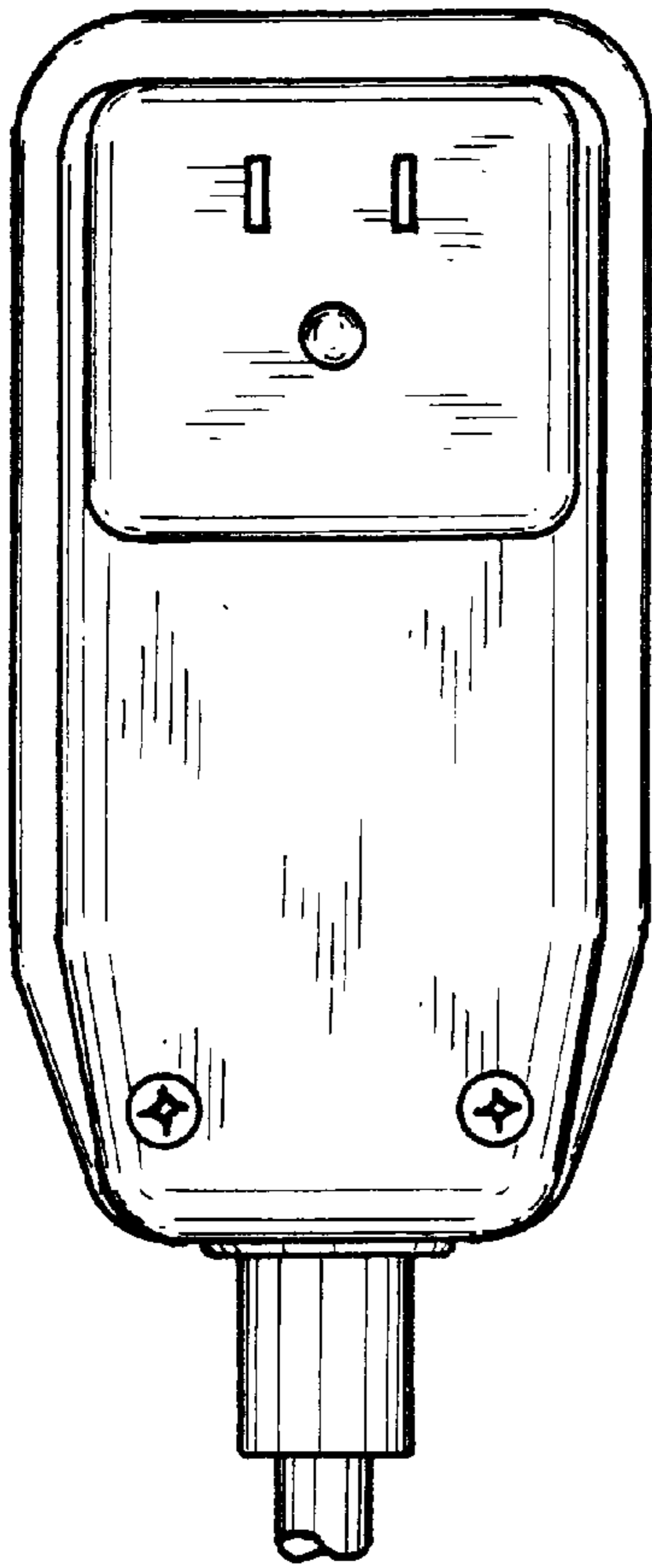


FIG. 4

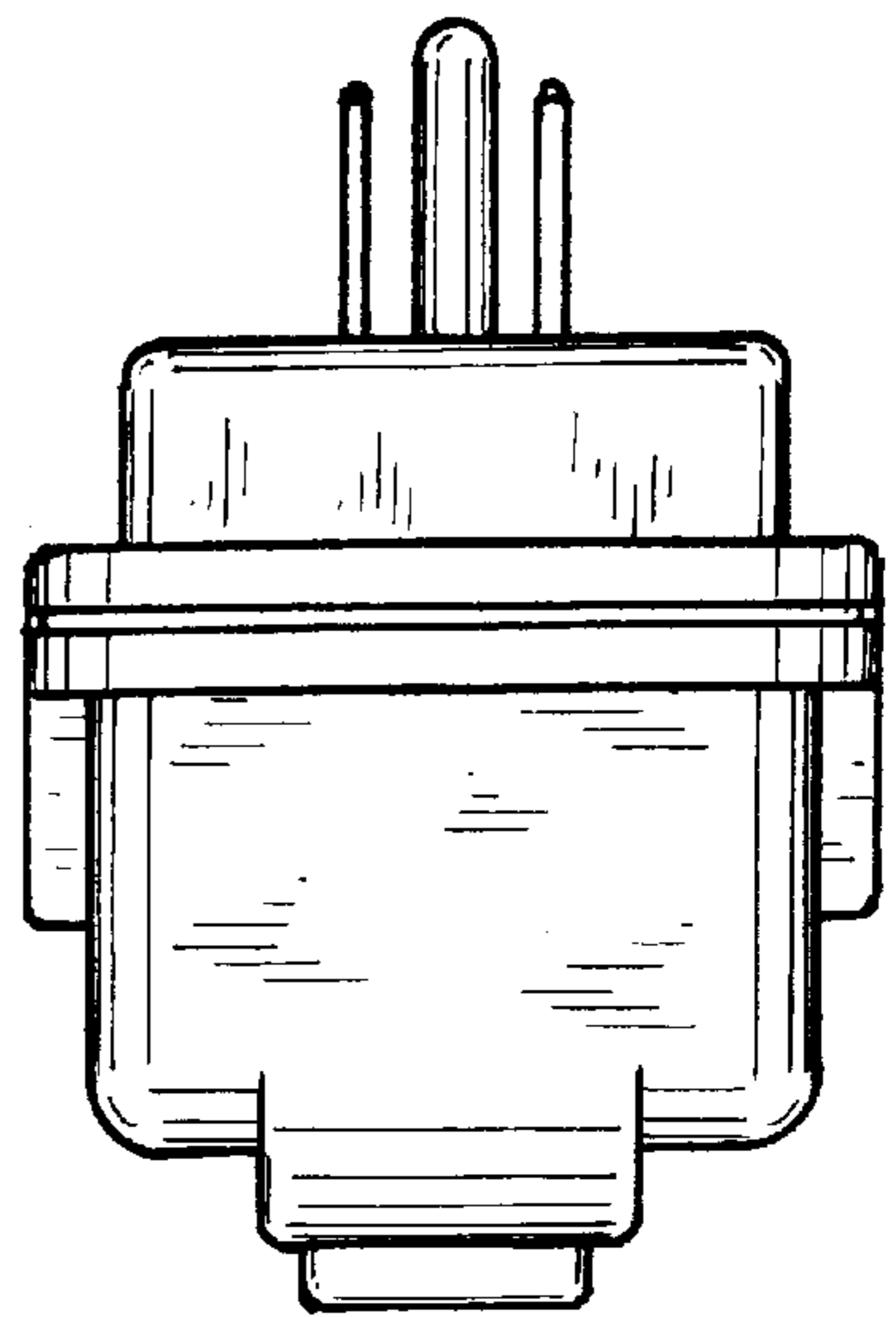


FIG. 5

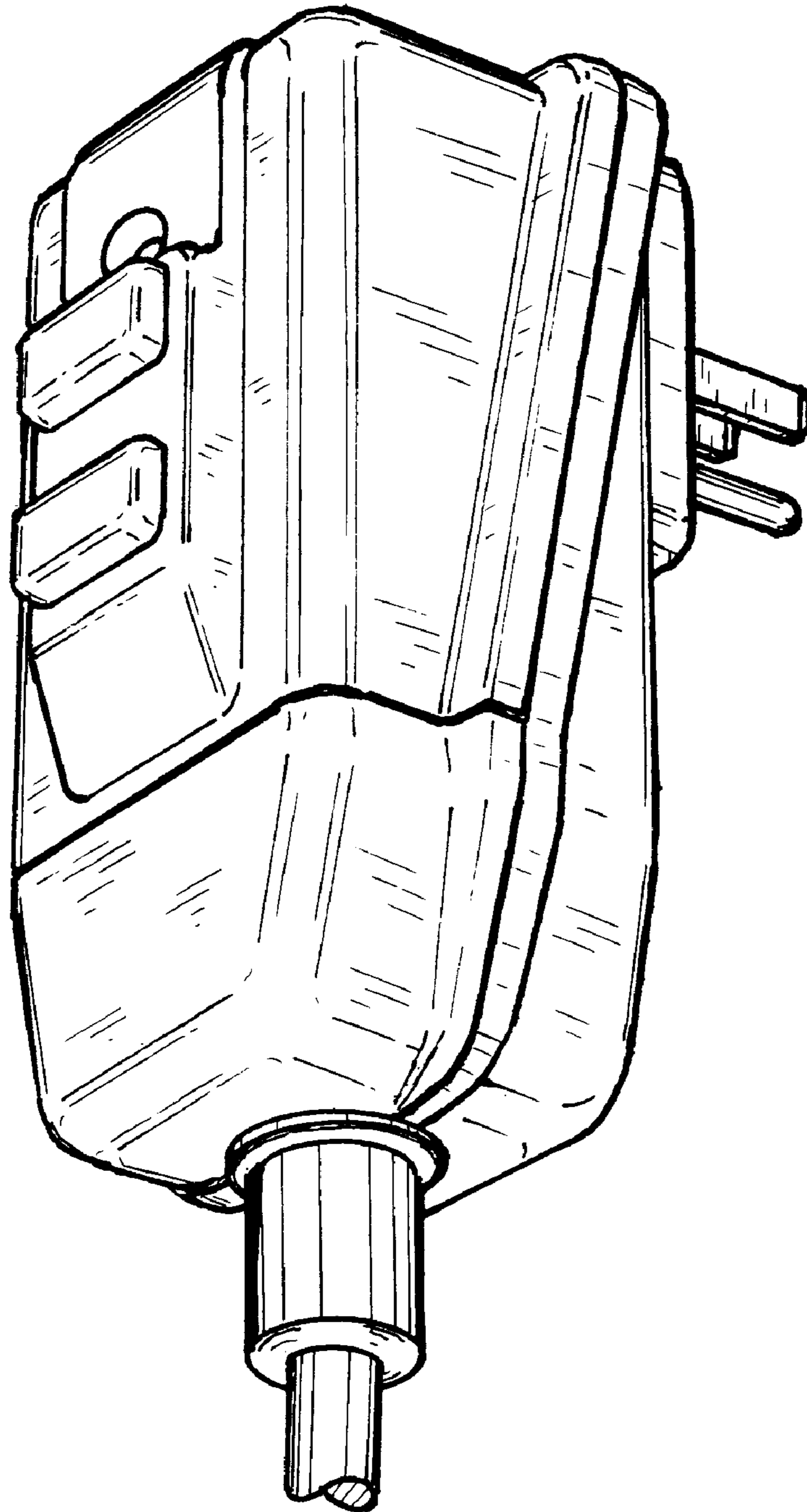


FIG. 6