



US00D434007S

United States Patent [19] Feldt

[11] **Patent Number: Des. 434,007**

[45] **Date of Patent: ** Nov. 21, 2000**

[54] **CONTACT**

[75] Inventor: **Örjan Feldt**, Malmö, Sweden

[73] Assignee: **Telefonaktiebolaget LM Ericsson**, Stockholm, Sweden

[**] Term: **14 Years**

[21] Appl. No.: **29/105,619**

[22] Filed: **May 26, 1999**

[30] **Foreign Application Priority Data**

Nov. 26, 1998 [SE] Sweden 98-2329

[51] **LOC (7) Cl.** **13-03**

[52] **U.S. Cl.** **D13/147**

[58] **Field of Search** D13/146, 147;
439/660, 686, 540.1, 678, 679

[56] **References Cited**

U.S. PATENT DOCUMENTS

D. 409,569 5/1999 Francis D13/147

D. 412,700	8/1999	Gardner et al.	D13/147
4,997,386	3/1991	Kawachi et al.	439/540.1 X
5,035,654	7/1991	Endo	439/679
5,344,335	9/1994	Scholz et al.	439/357

Primary Examiner—Joel Sincavage
Attorney, Agent, or Firm—Burns, Doane, Swecker & Mathis, L.L.P.

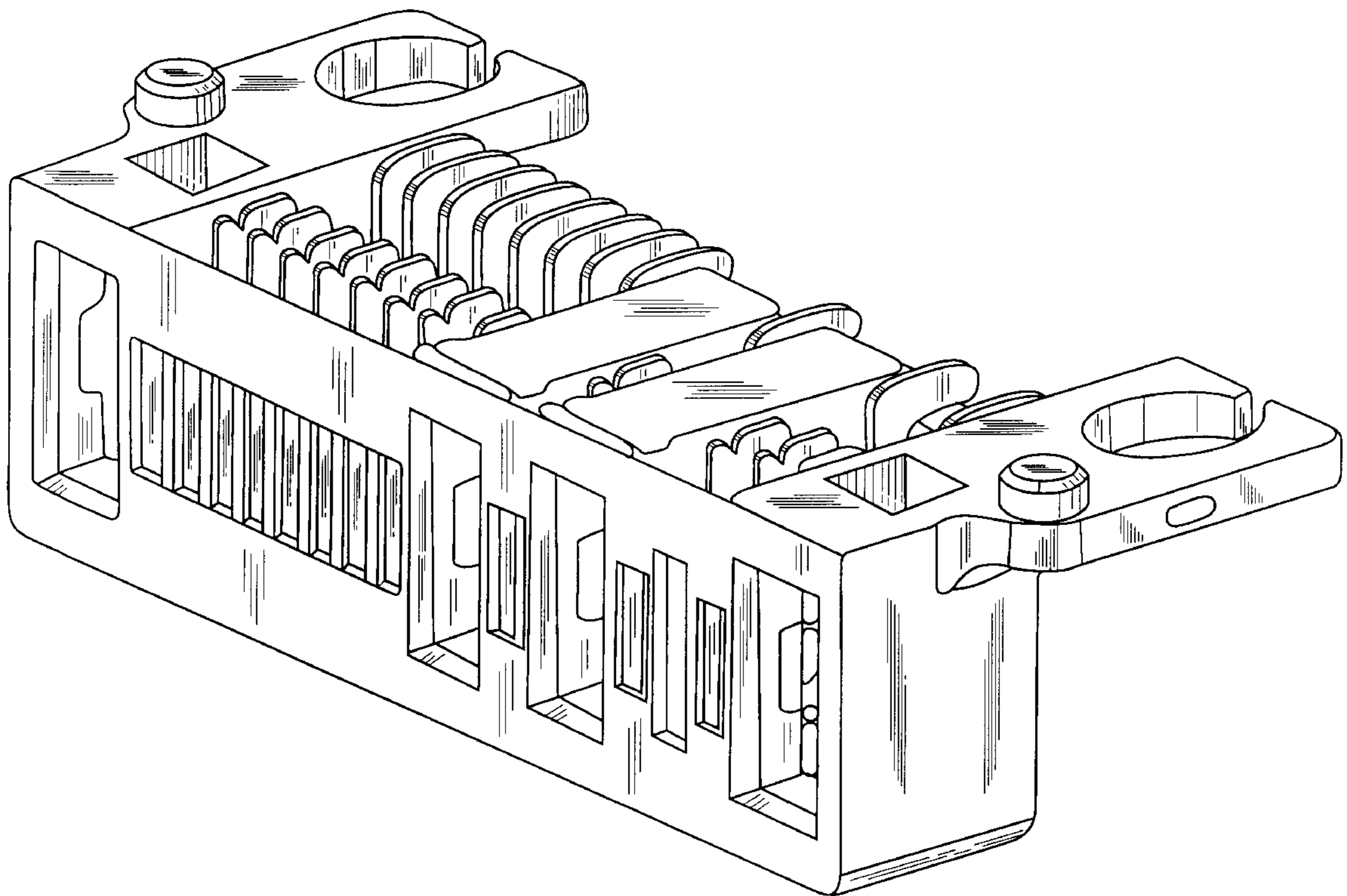
[57] **CLAIM**

The ornamental design for a contact, as shown and described.

DESCRIPTION

FIG. 1 is a perspective view of a contact showing my new design;
FIG. 2 is a front elevational view thereof;
FIG. 3 is a top plan view thereof;
FIG. 4 is a rear elevational view thereof;
FIG. 5 is a bottom plan view thereof;
FIG. 6 is a right end elevational view thereof; and,
FIG. 7 is a left end elevational view thereof.

1 Claim, 6 Drawing Sheets



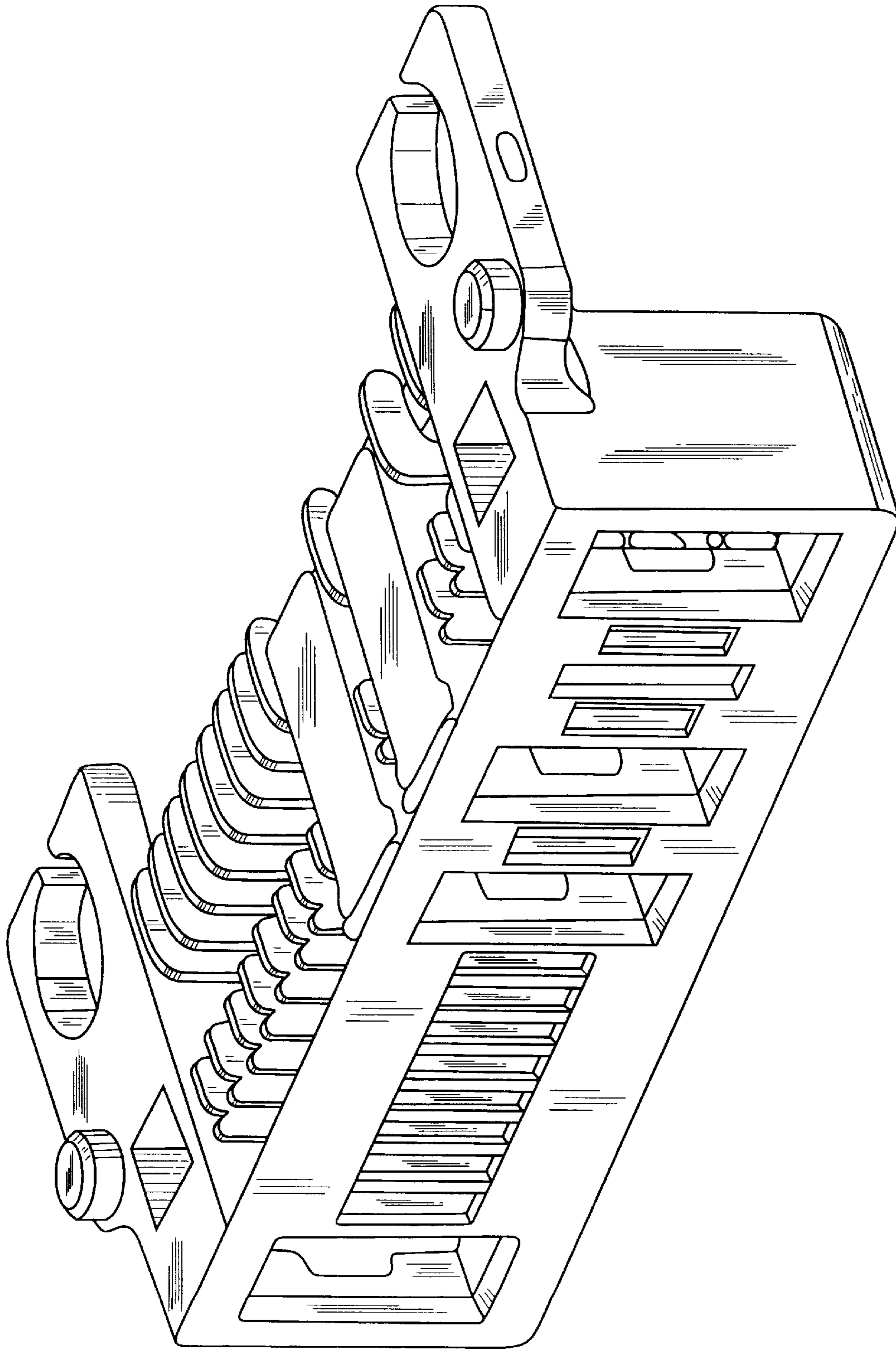


FIG. 1

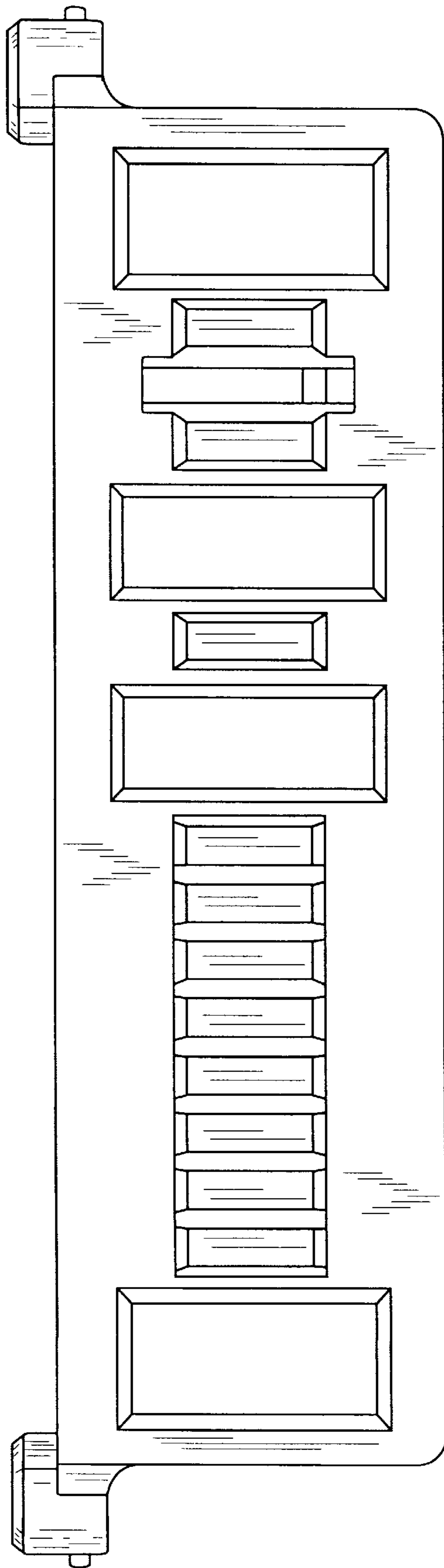


FIG. 2

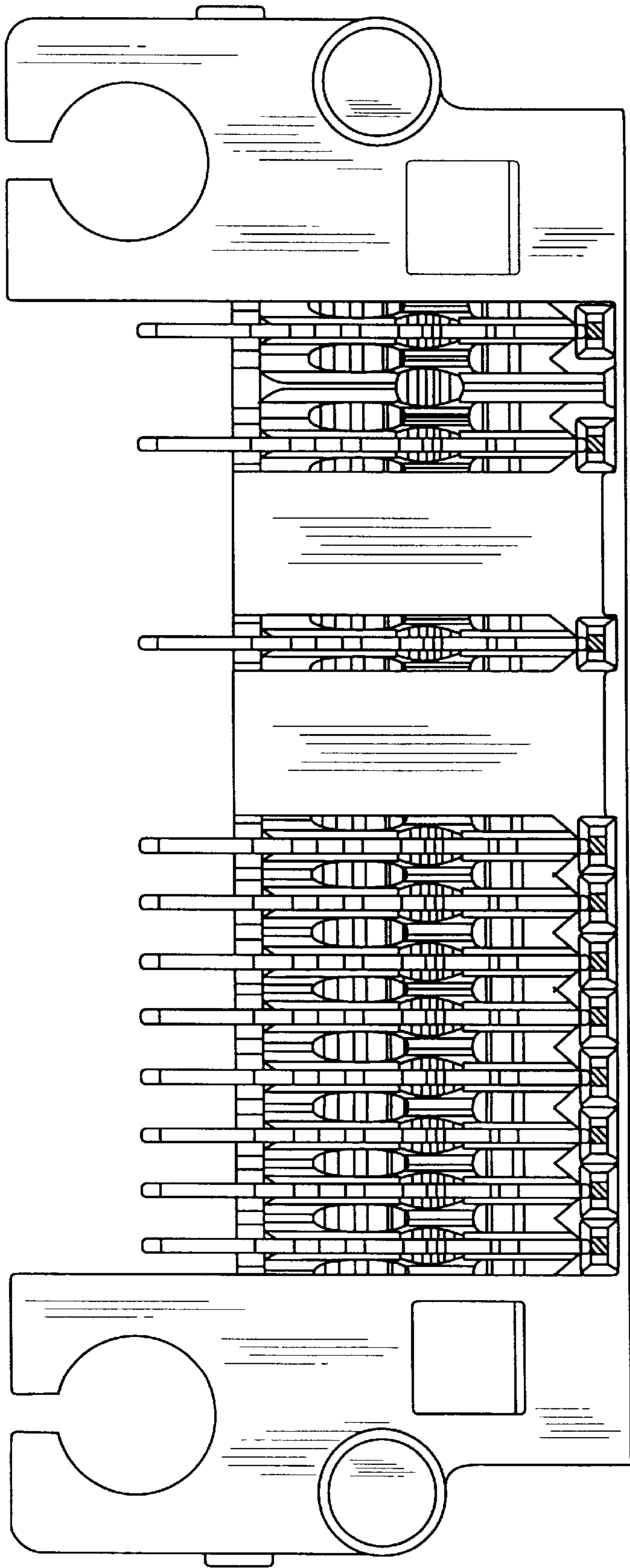


FIG. 3

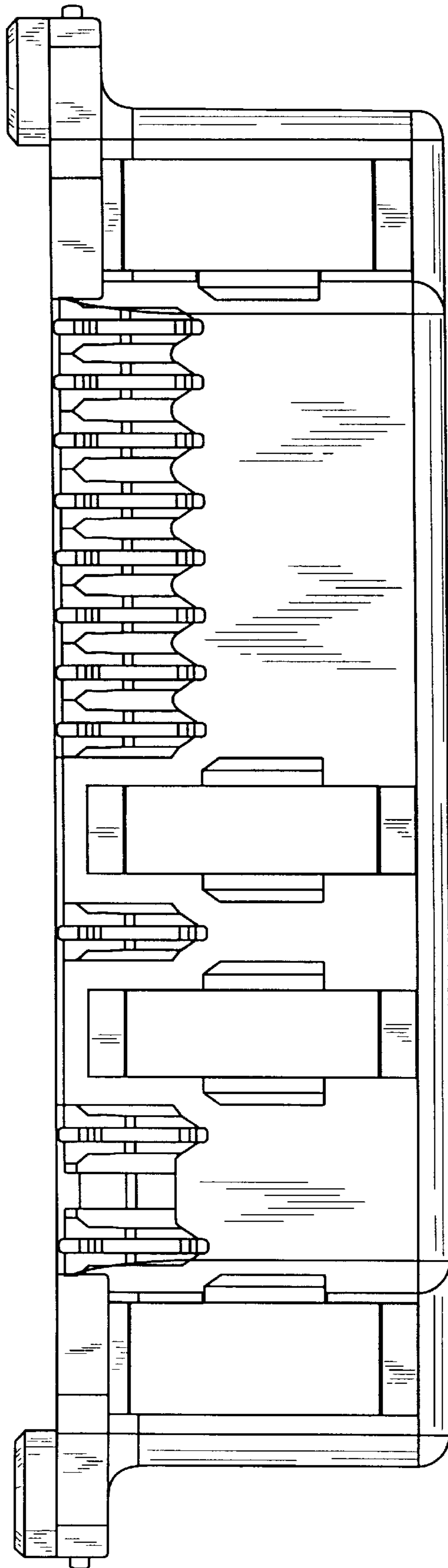


FIG. 4

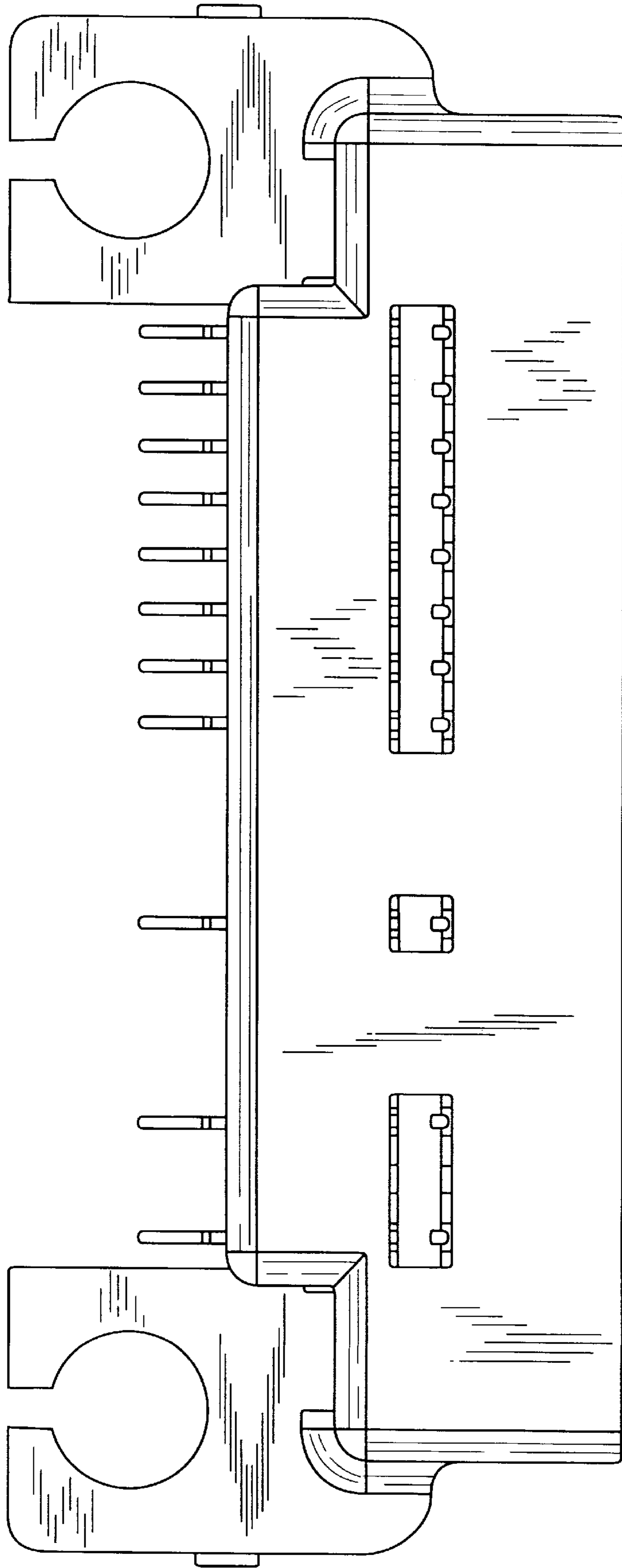


FIG. 5

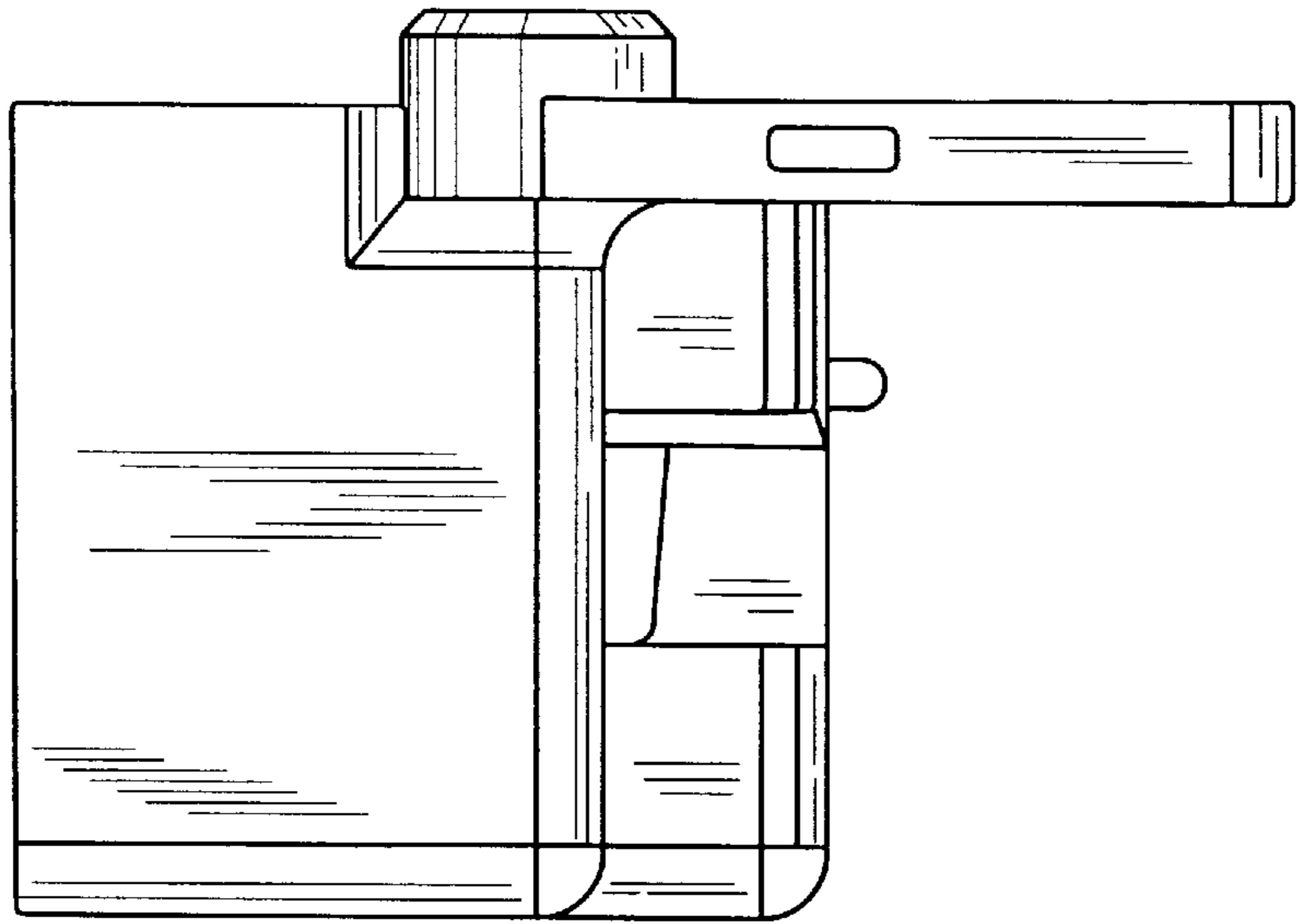


FIG. 6

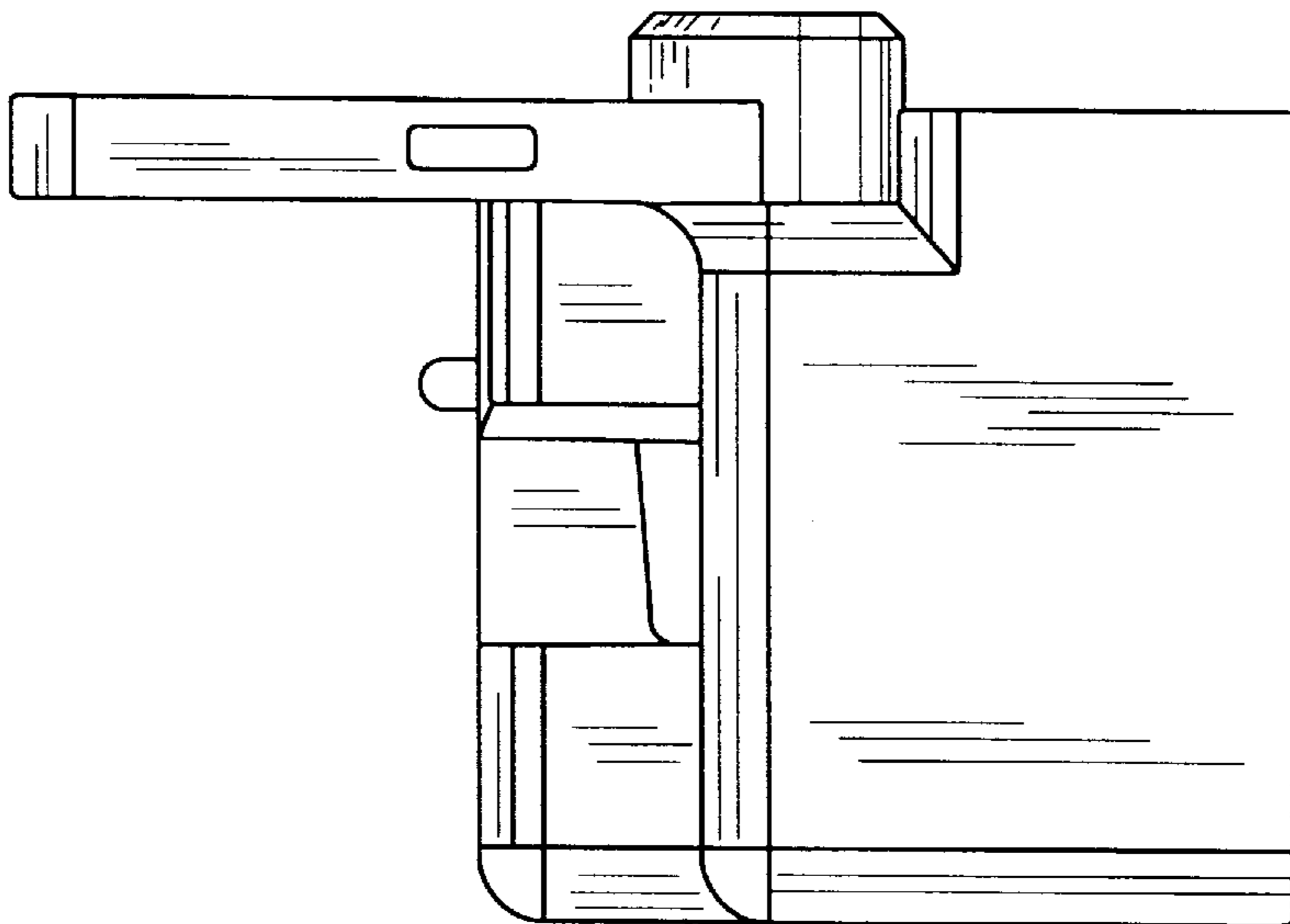


FIG. 7