



US00D434006S

United States Patent [19]

[11] **Patent Number: Des. 434,006**

Lesesky et al.

[45] **Date of Patent: ** Nov. 21, 2000**

[54] **CONNECTOR COMPONENT**

0 430 107 A2 6/1991 European Pat. Off. .
0 655 804 A2 5/1995 European Pat. Off. .
0 713 111 A1 5/1996 European Pat. Off. .
0 727 845 A2 8/1996 European Pat. Off. .

[75] Inventors: **Alan C. Lesesky**, Charlotte, N.C.;
David J. Lee, York; **Wally V. Stegall**,
Lancaster, both of S.C.; **Brian M.**
Lesesky, Charlotte, N.C.

OTHER PUBLICATIONS

[73] Assignee: **Vehicle Enhancement Systems, Inc.**,
Rock Hill, S.C.

International Search Report, PCT/US99/09553; Aug. 20,
1999.

[**] Term: **14 Years**

Primary Examiner—Joel Sincavage
Attorney, Agent, or Firm—Alston & Bird LLP

[21] Appl. No.: **29/104,210**

[57] CLAIM

[22] Filed: **Apr. 30, 1999**

The ornamental design for a connector component, as shown
and described.

[51] **LOC (7) Cl. 13-03**

DESCRIPTION

[52] **U.S. Cl. D13/147**

[58] **Field of Search D13/146, 147;**
439/35, 349, 483, 491, 692

FIG. 1 is a perspective view of a connector component
showing our new design;

[56] References Cited

U.S. PATENT DOCUMENTS

4,808,115 2/1989 Norton et al. .
5,195,904 3/1993 Cyvoct 439/349
5,302,141 4/1994 O'Reilly et al. .
5,529,513 6/1996 Lee 439/491
5,641,306 6/1997 Stepniak 439/491
5,743,763 4/1998 Giovanni 439/598

FIG. 2 is a top plan view thereof;

FIG. 3 is a front elevational view;

FIG. 4 is a bottom plan view thereof;

FIG. 5 is a left side elevational view thereof; and

FIG. 6 is a rear elevational view thereof; and,

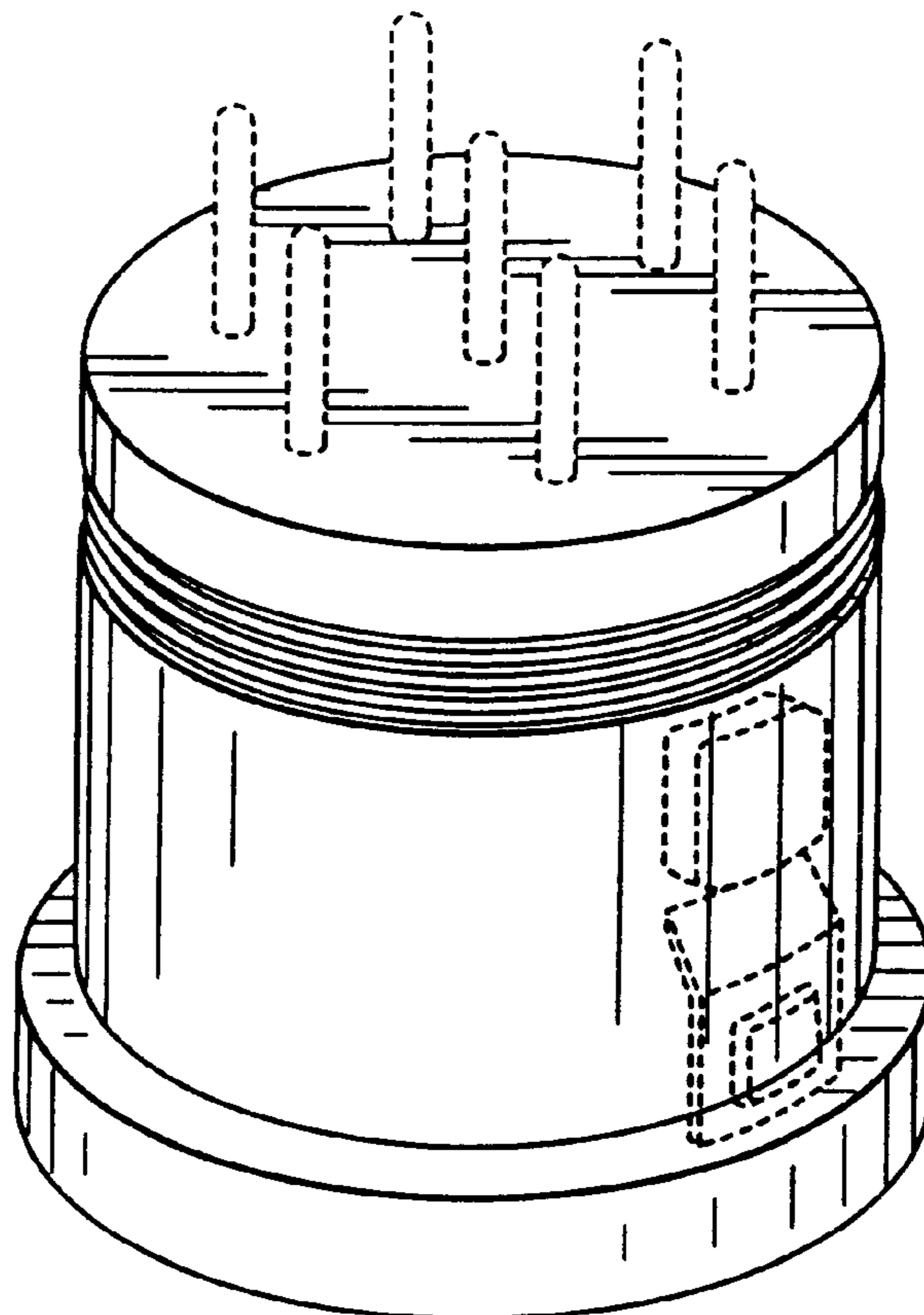
FIG. 7 is a right side elevational view thereof.

The broken lines showing through the drawings are included
for the purpose of illustrating environmental structure and
form no part of the claimed design.

FOREIGN PATENT DOCUMENTS

251655A1 7/1988 European Pat. Off. H01R 13/523

1 Claim, 2 Drawing Sheets



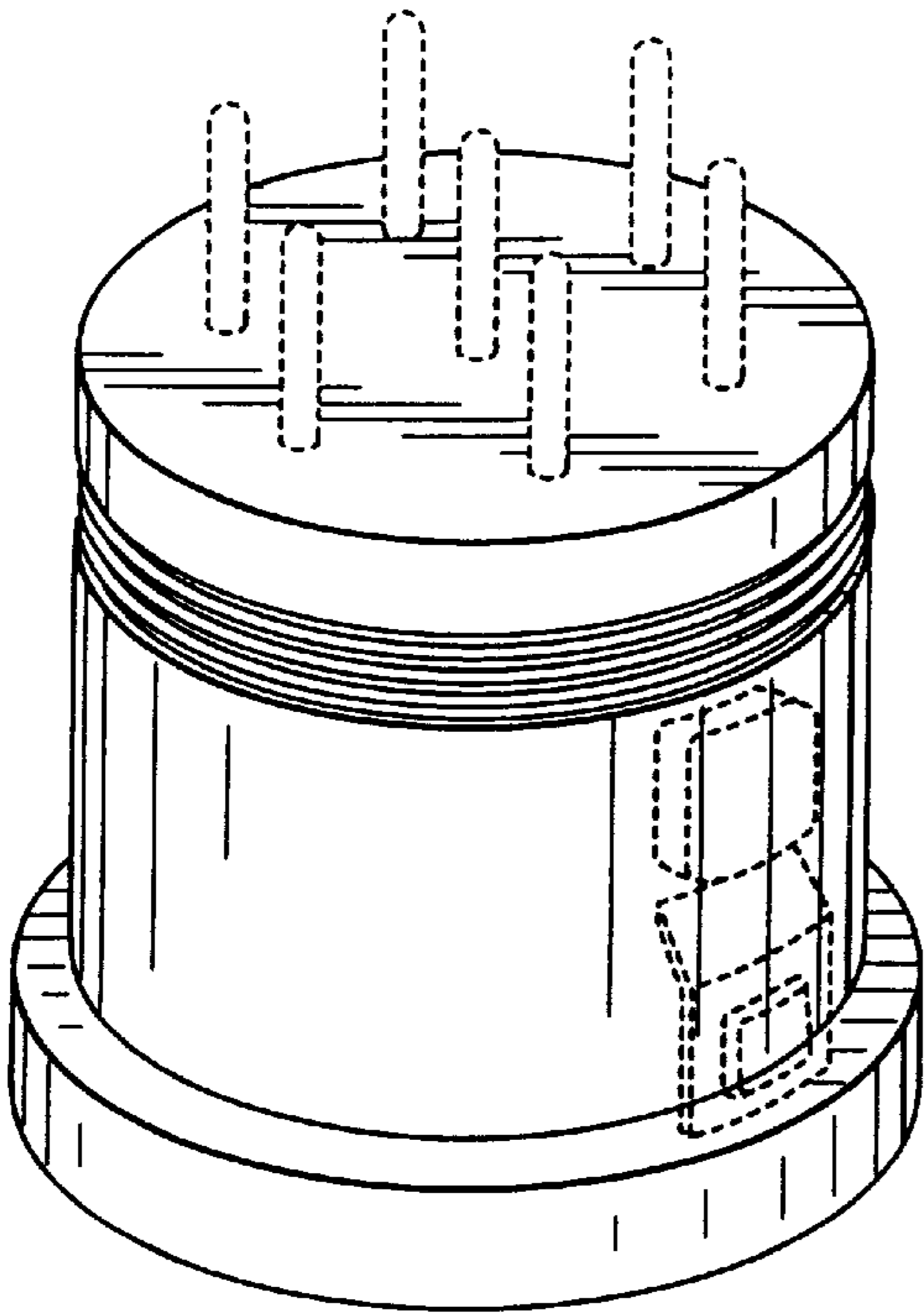


FIG. 1.

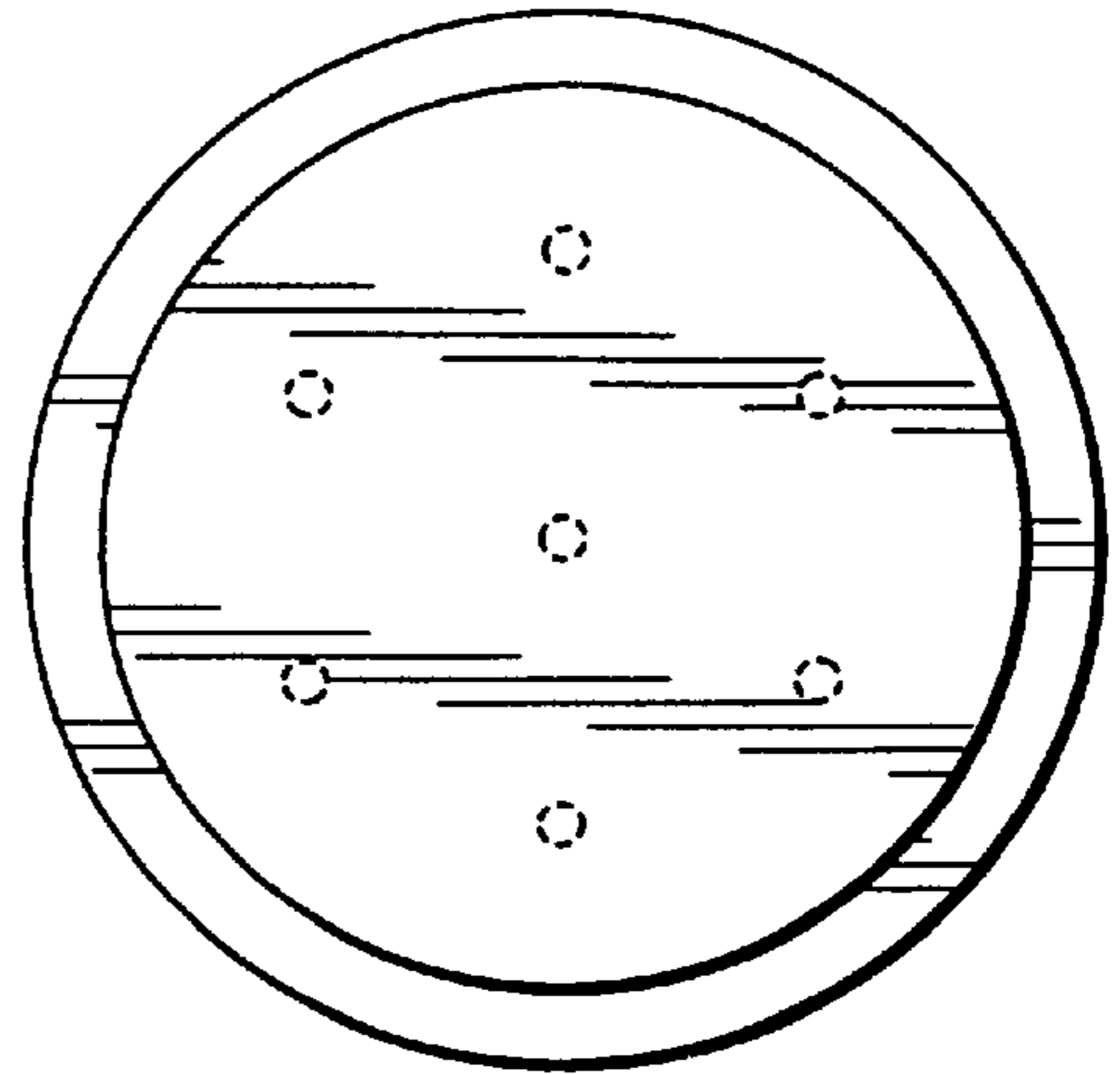


FIG. 2.

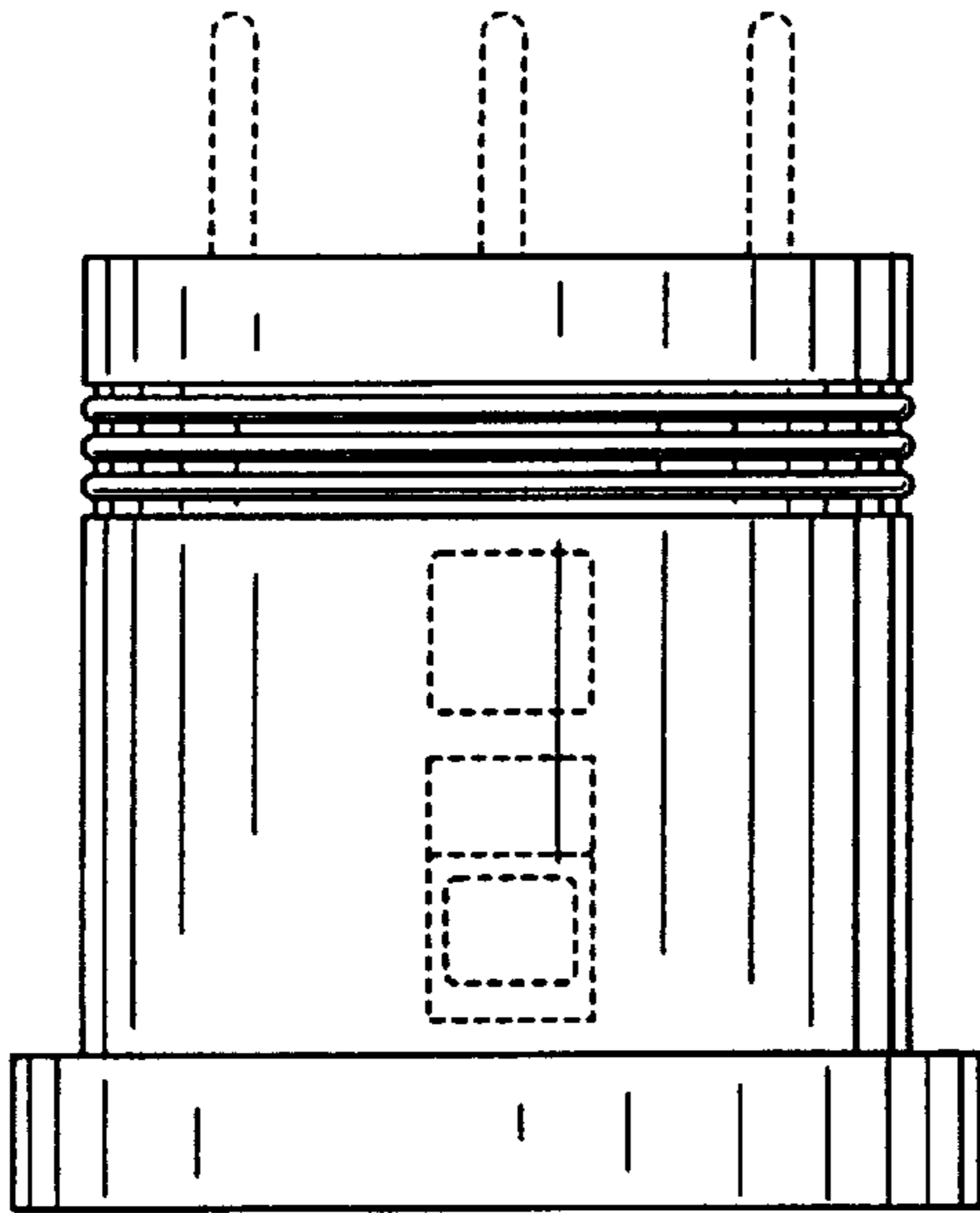


FIG. 3.

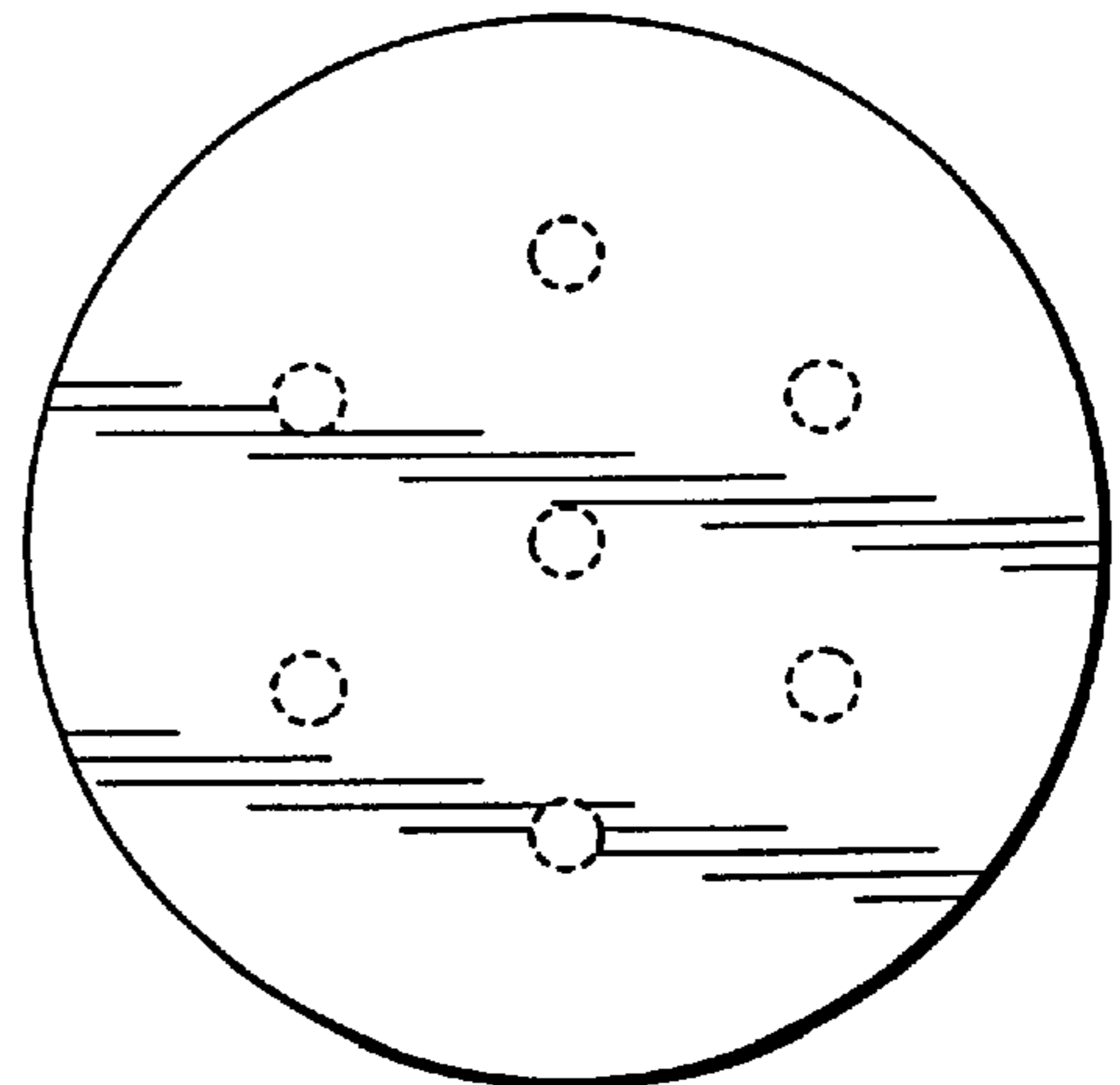


FIG. 4.

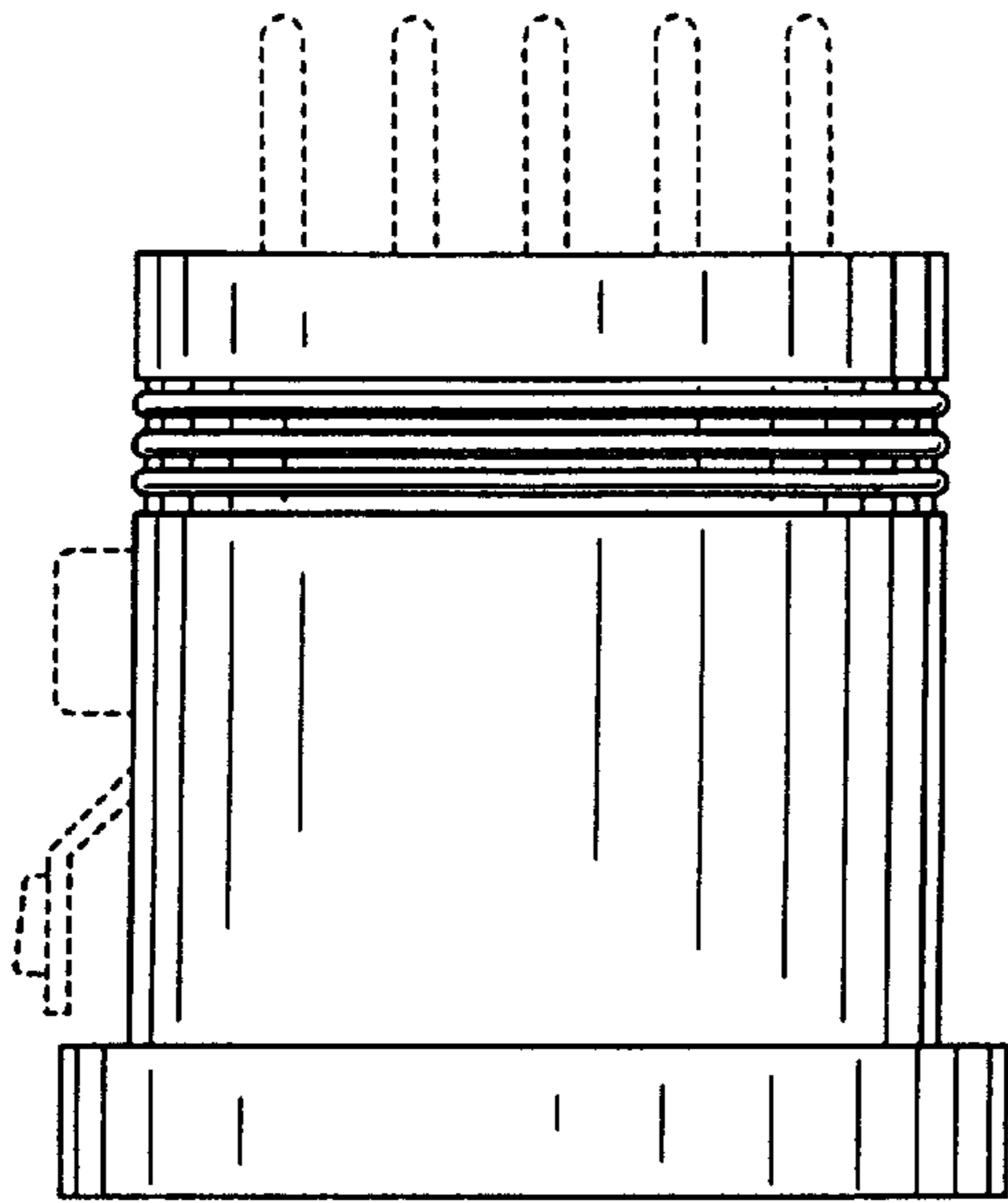


FIG. 5.

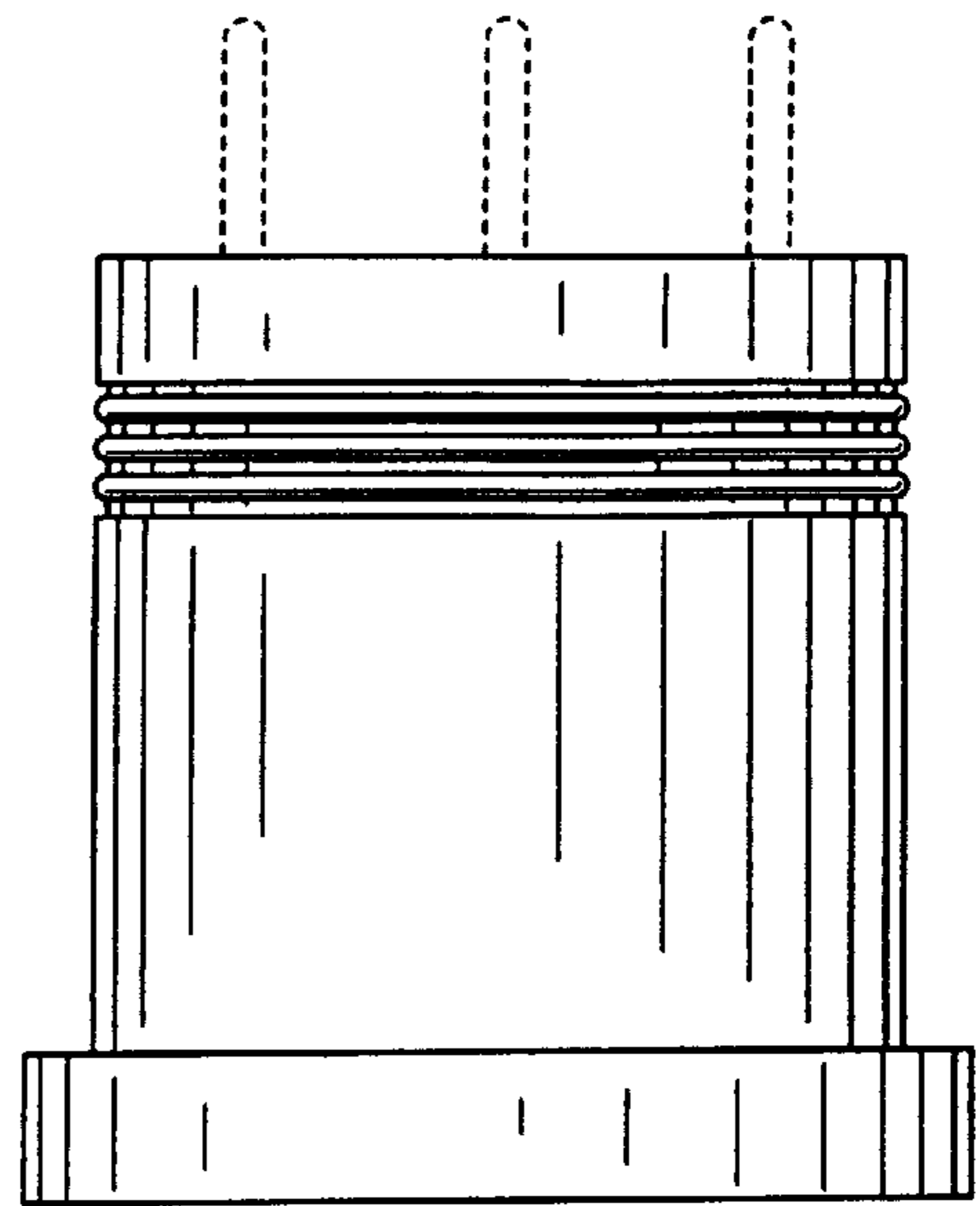


FIG. 6.

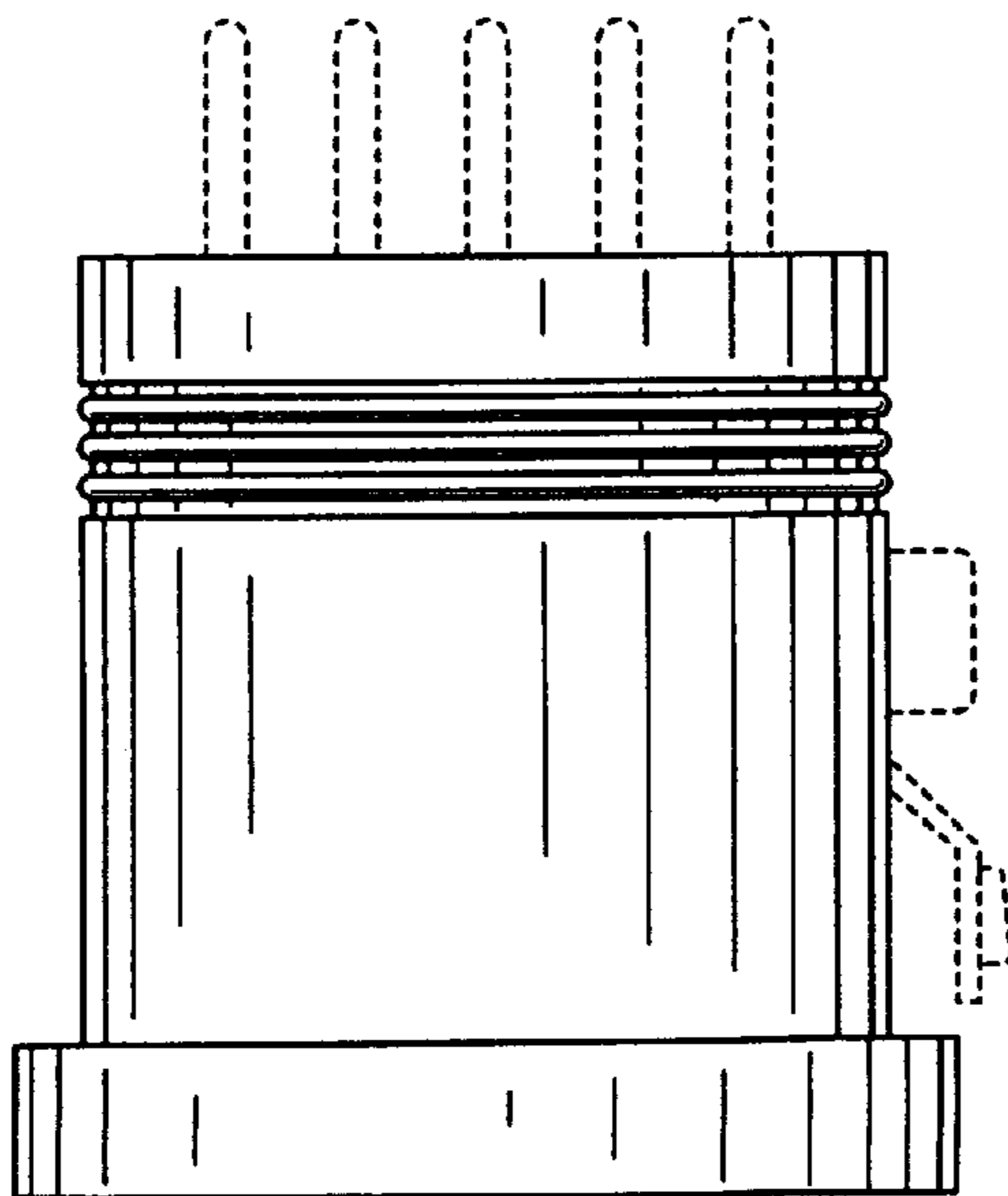


FIG. 7.