



US00D434005S

# United States Patent [19] Arai

[11] **Patent Number: Des. 434,005**

[45] **Date of Patent: \*\* Nov. 21, 2000**

[54] **ELECTRICAL CONNECTOR**

[75] Inventor: **Junichi Arai**, Isesaki, Japan

[73] Assignee: **Hosiden Corporation**, Osaka-fu, Japan

[\*\*] Term: **14 Years**

[21] Appl. No.: **29/122,461**

[22] Filed: **Apr. 28, 2000**

[30] **Foreign Application Priority Data**

Nov. 9, 1999 [JP] Japan ..... 11-31064

[51] **LOC (7) Cl.** ..... **13-03**

[52] **U.S. Cl.** ..... **D13/146**

[58] **Field of Search** ..... D13/133, 146,  
D13/147; 439/607, 609

[56] **References Cited**

### U.S. PATENT DOCUMENTS

D. 298,312	11/1988	Sekiguchi	.....	D13/147
D. 310,512	9/1990	Tajima	.....	D13/146
D. 314,943	2/1991	Tajima	.....	D13/147
D. 416,862	11/1999	Chiou	.....	D13/146
5,288,248	2/1994	Chen	.....	439/609

5,622,523	4/1997	Kan et al.	.....	439/607
5,913,698	6/1999	Keng	.....	439/609
5,984,727	11/1999	Wu et al.	.....	439/607

*Primary Examiner*—Joel Sincavage  
*Attorney, Agent, or Firm*—Jones, Tullar & Cooper, P.C.

[57] **CLAIM**

The ornamental design for an electrical connector, as shown and described.

### DESCRIPTION

The present article relates to connectors employed for electrical signal-connections between respective electronic devices, which are fixes in electronic devices including audio-visual equipment such as video cameras, video decks, televisions and personal computers.

FIG. 1 is a front elevation view of an electrical connector showing my new design;

FIG. 2 is a rear elevation view thereof;

FIG. 3 is a top plan view thereof;

FIG. 4 is a bottom plan view thereof;

FIG. 5 is a left side view thereof; and,

FIG. 6 is a right side view thereof.

**1 Claim, 3 Drawing Sheets**

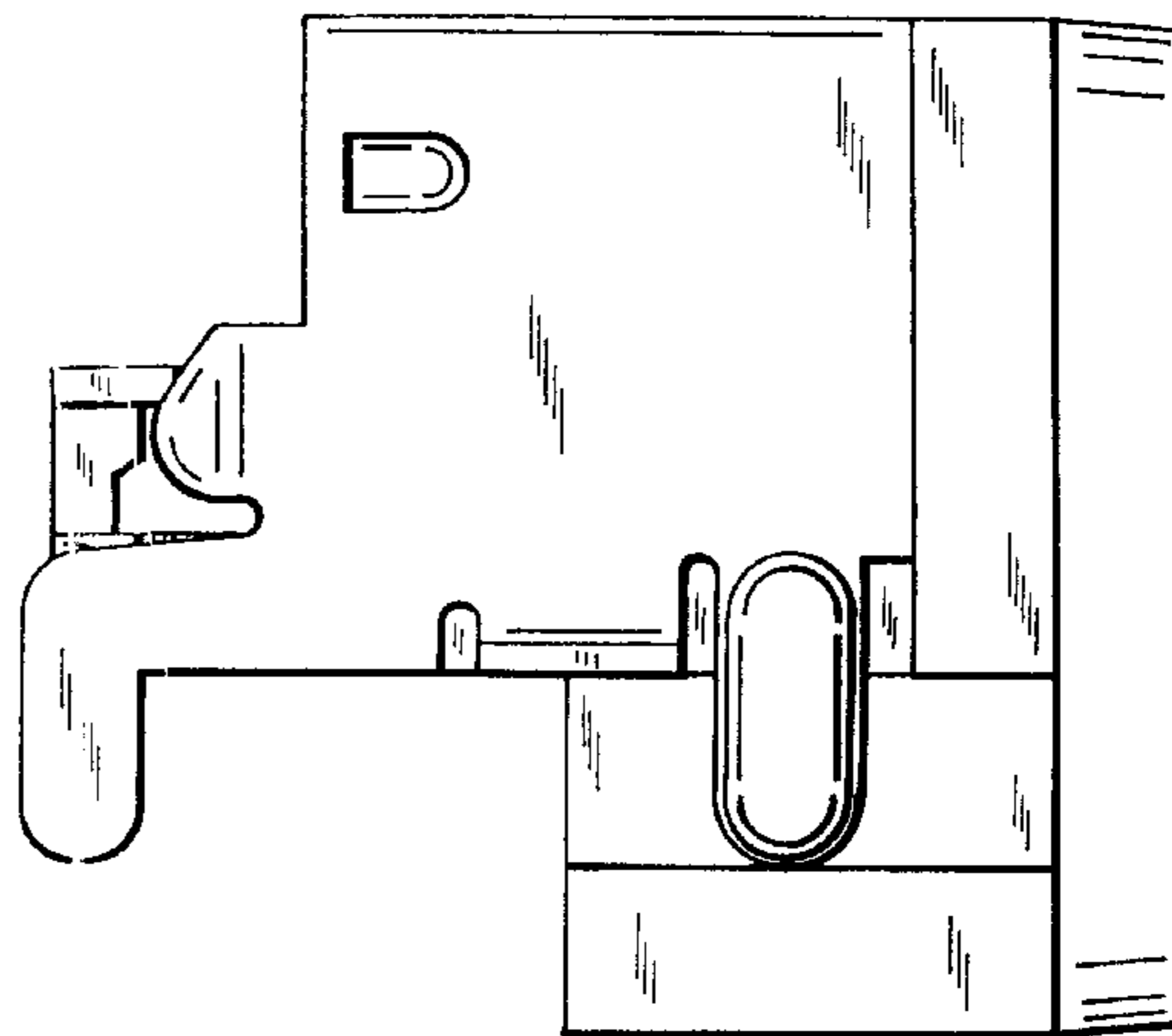
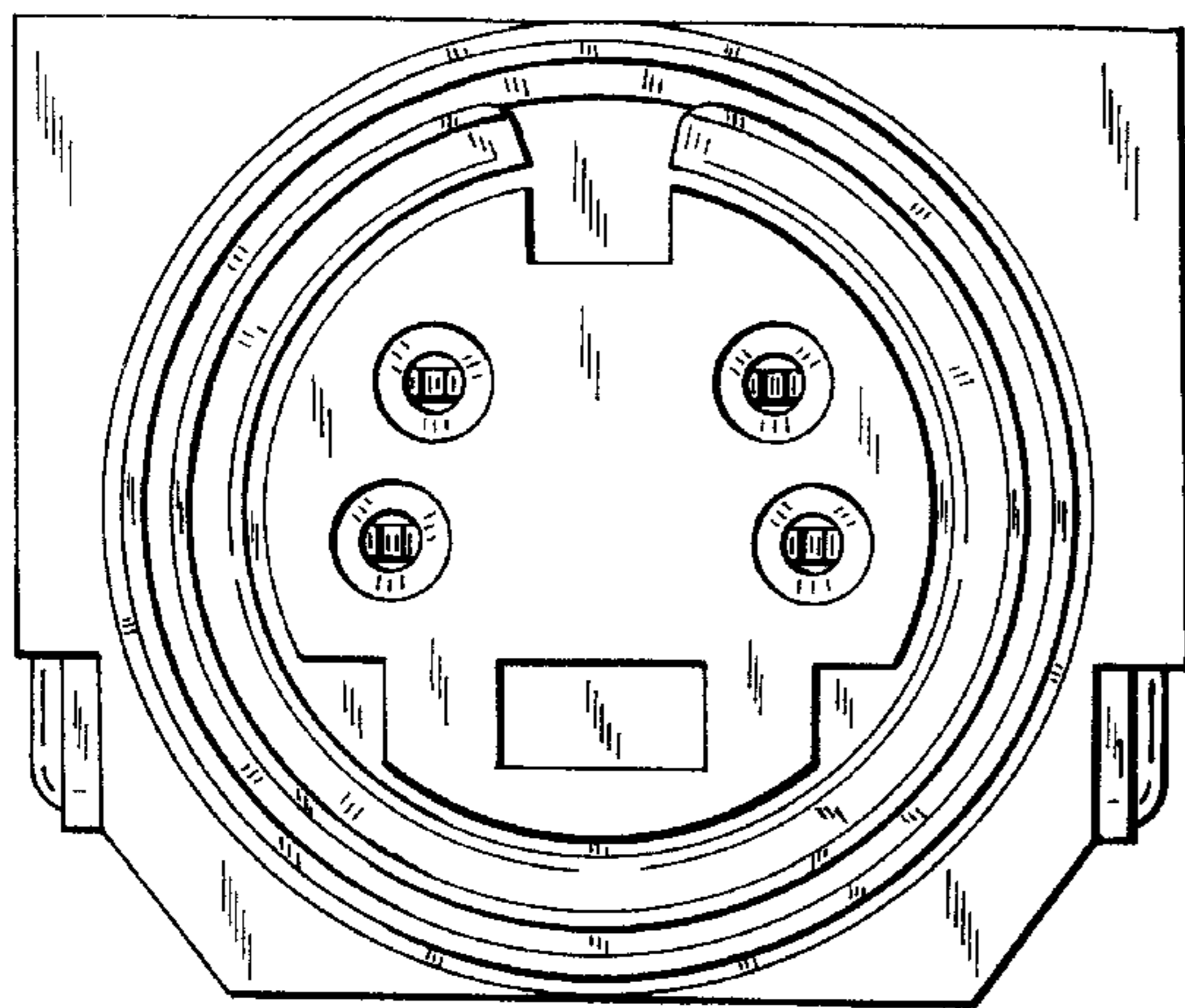


Fig. 1

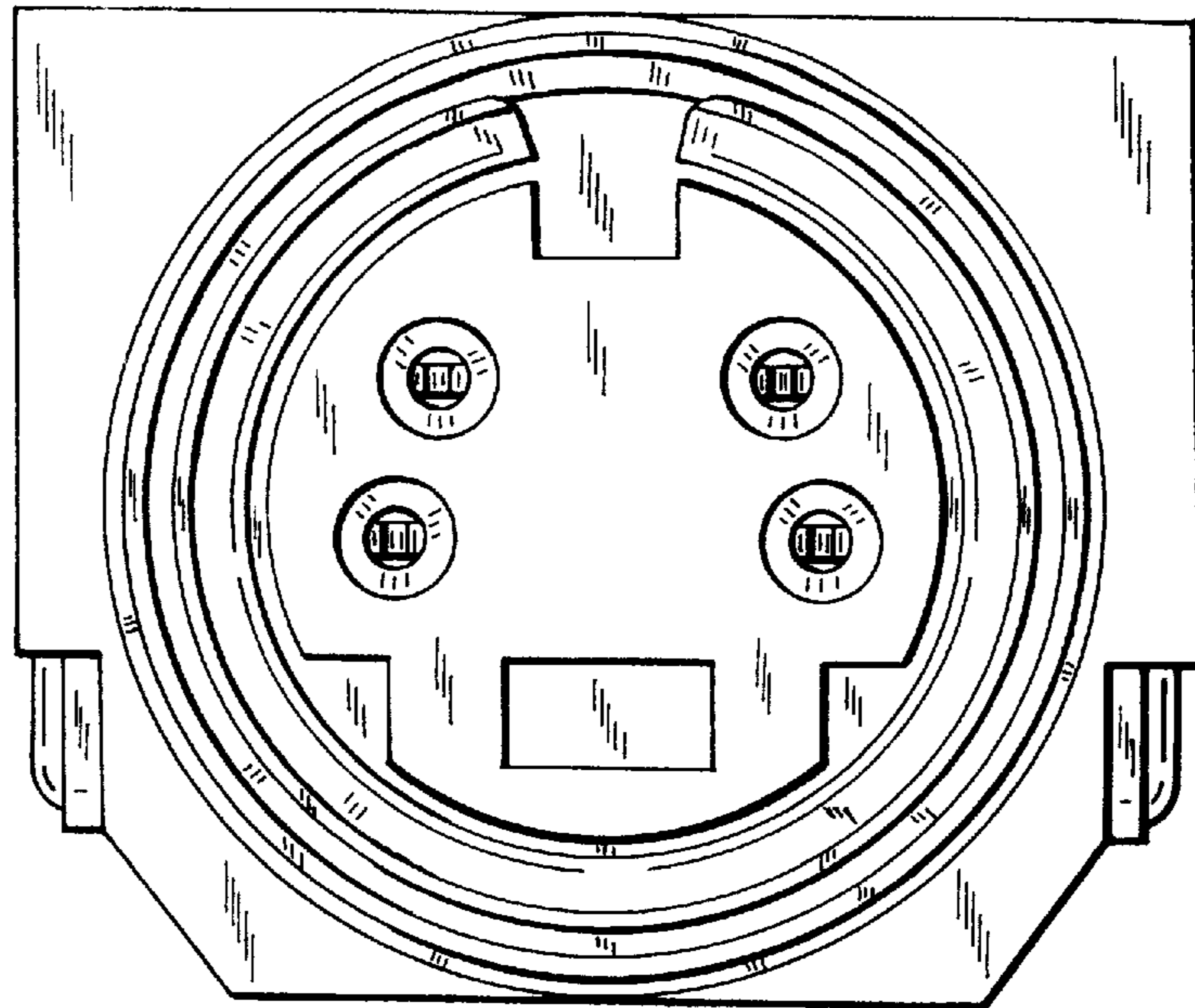


Fig. 2

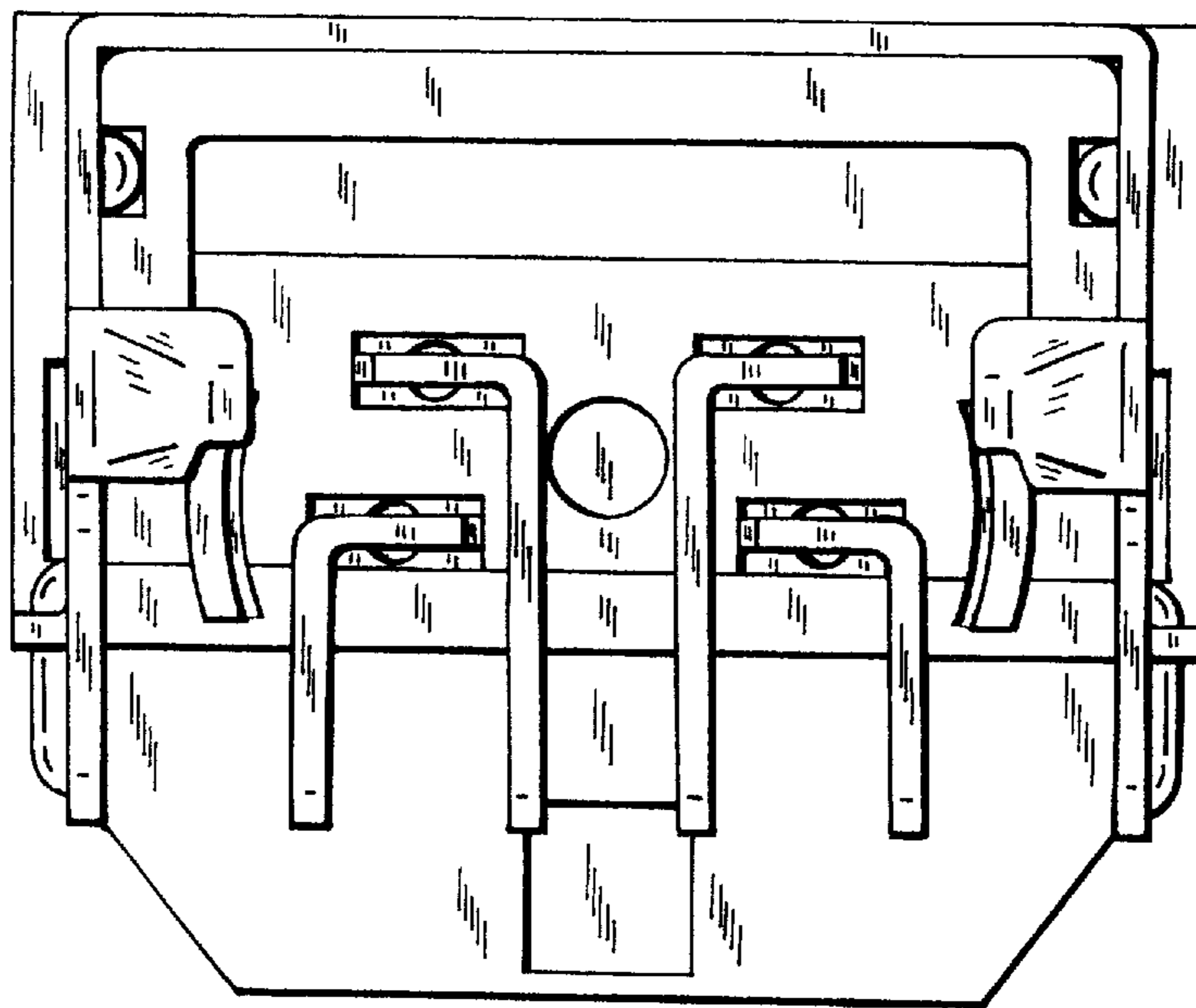


Fig. 3

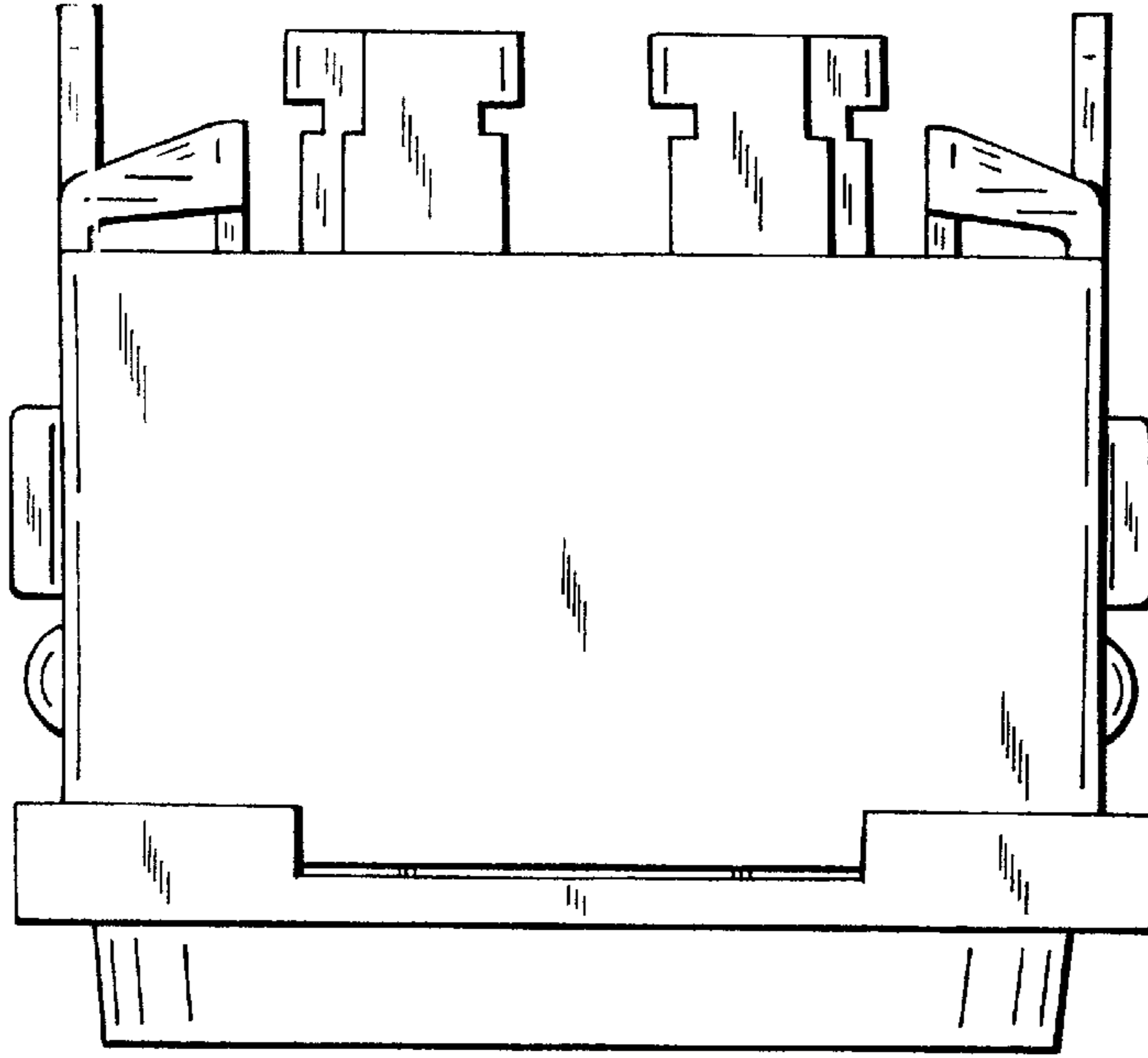


Fig. 4

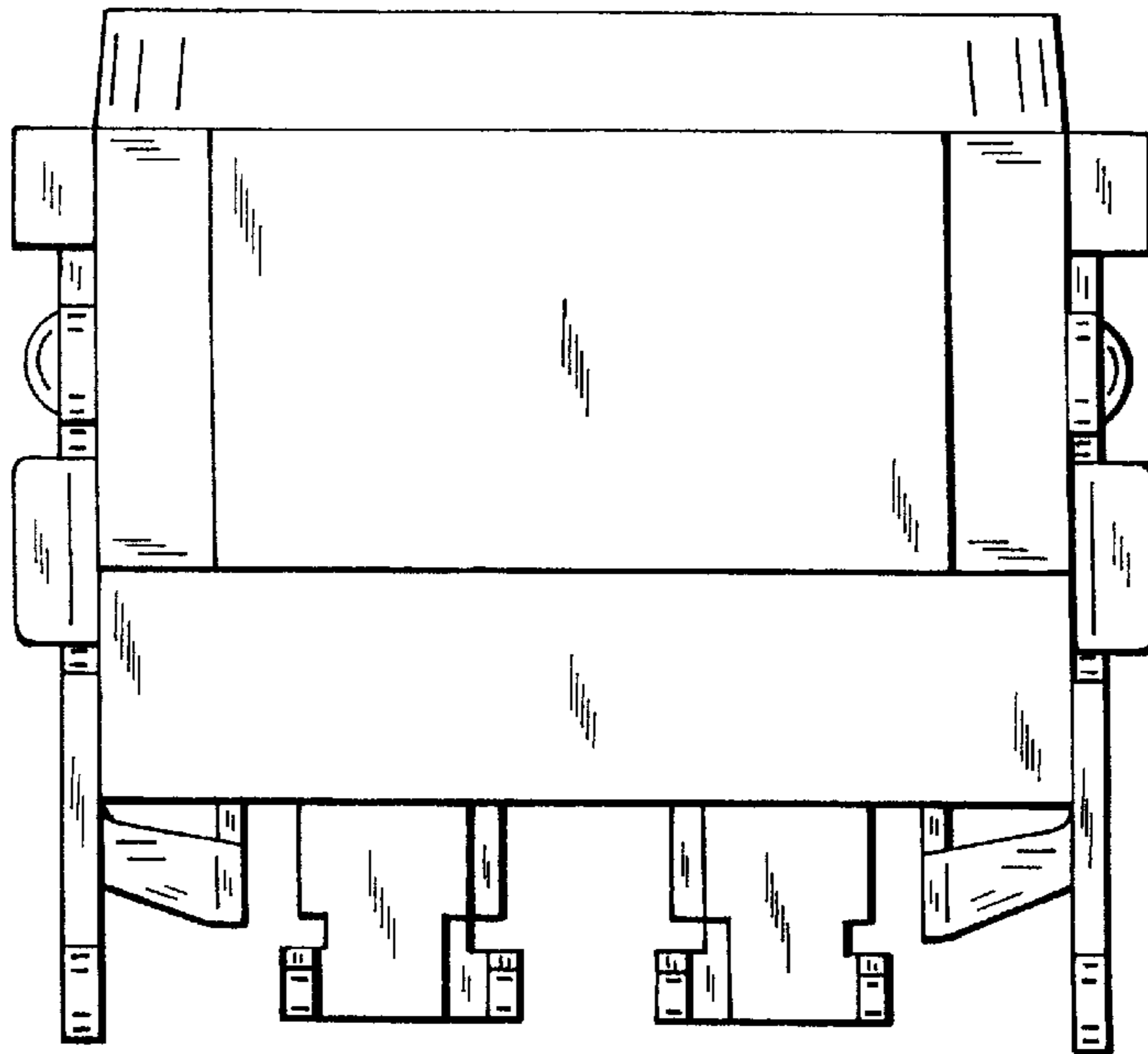


Fig. 5

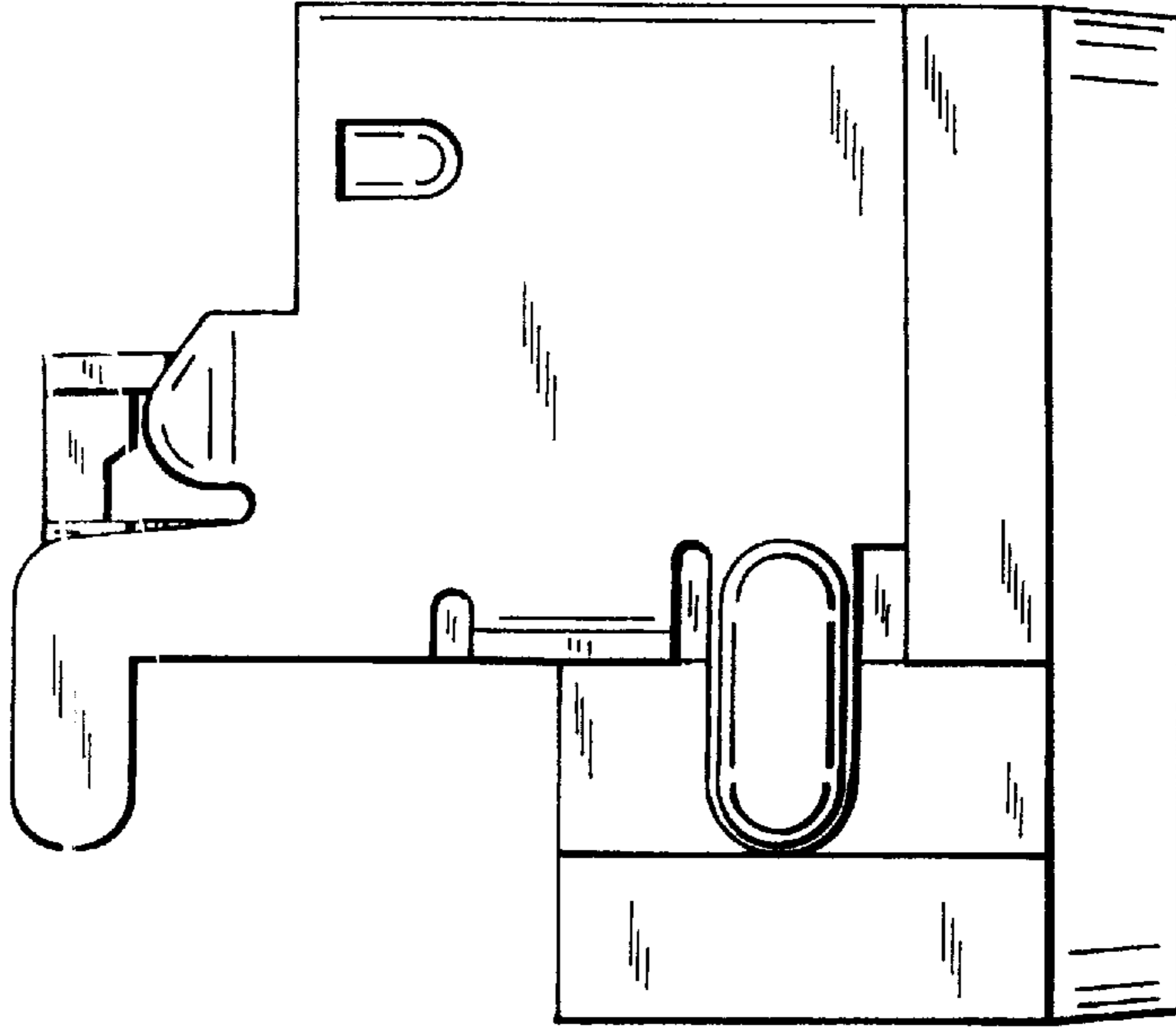


Fig. 6

