



US00D434004S

# United States Patent [19] Yang

[11] Patent Number: **Des. 434,004**

[45] Date of Patent: **\*\* Nov. 21, 2000**

[54] **STACKED CONNECTOR**

[75] Inventor: **Fu-Ken Yang**, Taipei, Taiwan

[73] Assignee: **Hon Hai Precision Ind. Co., Ltd.**,  
Taipei Hsien, Taiwan

[\*\*] Term: **14 Years**

[21] Appl. No.: **29/117,682**

[22] Filed: **Jan. 27, 2000**

[30] **Foreign Application Priority Data**

Nov. 5, 1999 [TW] Taiwan ..... 88307273

[51] **LOC (7) Cl.** ..... **13-03**

[52] **U.S. Cl.** ..... **D13/146**

[58] **Field of Search** ..... D13/146, 147;  
439/607-610, 451.5, 540.1, 79

[56] **References Cited**

**U.S. PATENT DOCUMENTS**

5,017,158 5/1991 Liu et al. .... 439/609

5,037,330	8/1991	Fulponi et al. ....	439/607
5,288,248	2/1994	Chen .....	439/609
5,622,523	4/1997	Kan et al. ....	439/607
5,913,698	6/1999	Keng .....	439/609
5,954,540	9/1999	Wu .....	439/607
5,984,727	11/1999	Wu et al. ....	439/607

*Primary Examiner*—Joel Sincavage  
*Attorney, Agent, or Firm*—Wei Te Chung

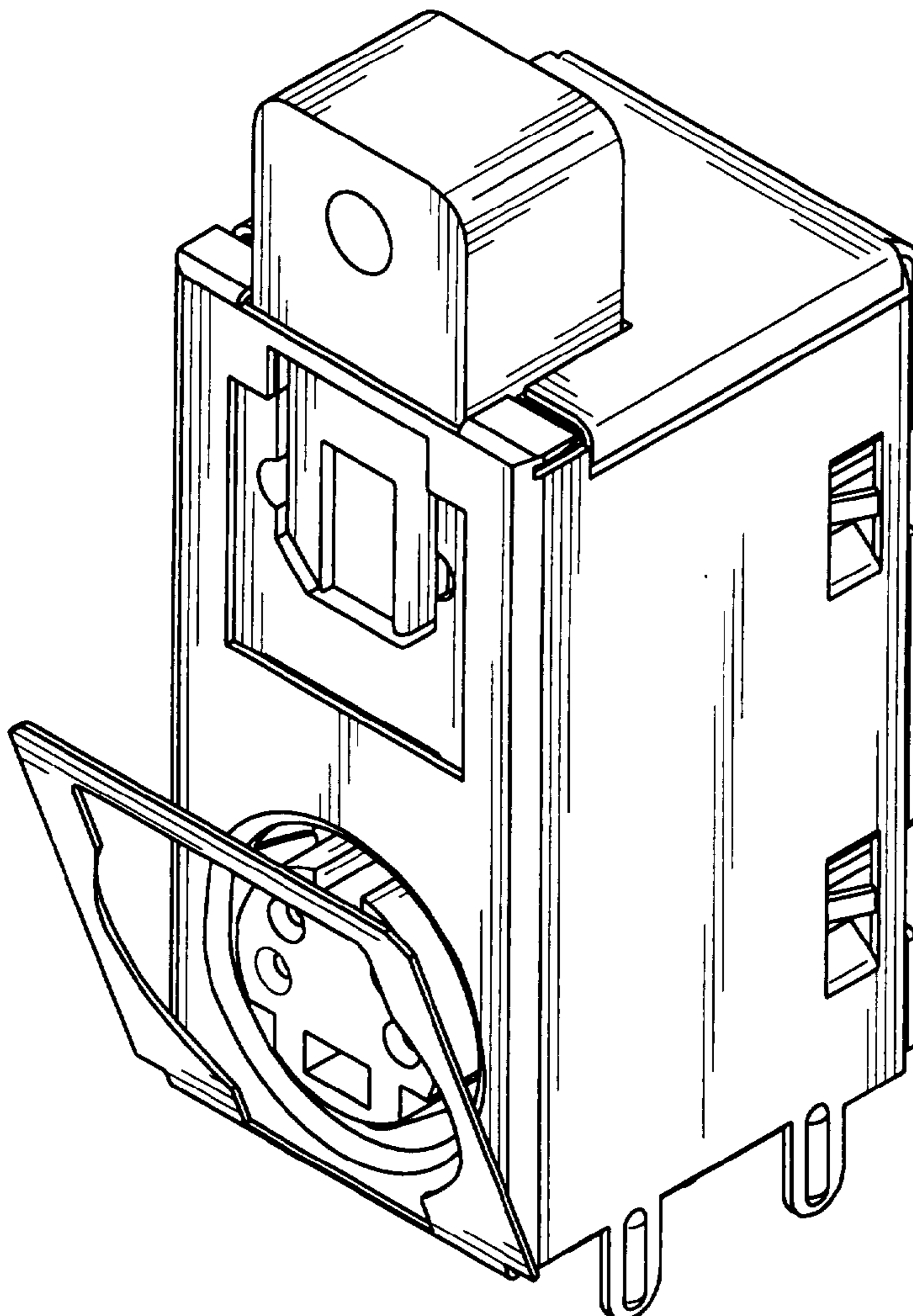
[57] **CLAIM**

The ornamental design for a stacked connector, as shown.

**DESCRIPTION**

FIG. 1 is a front, top and right side perspective view of a stacked connector showing my new design; FIG. 2 is a front elevational view thereof; FIG. 3 is a rear elevational view thereof; FIG. 4 is a left side elevational view thereof; FIG. 5 is a right side elevational view thereof; FIG. 6 is a top plan view thereof; and, FIG. 7 is a bottom plan view thereof.

**1 Claim, 7 Drawing Sheets**



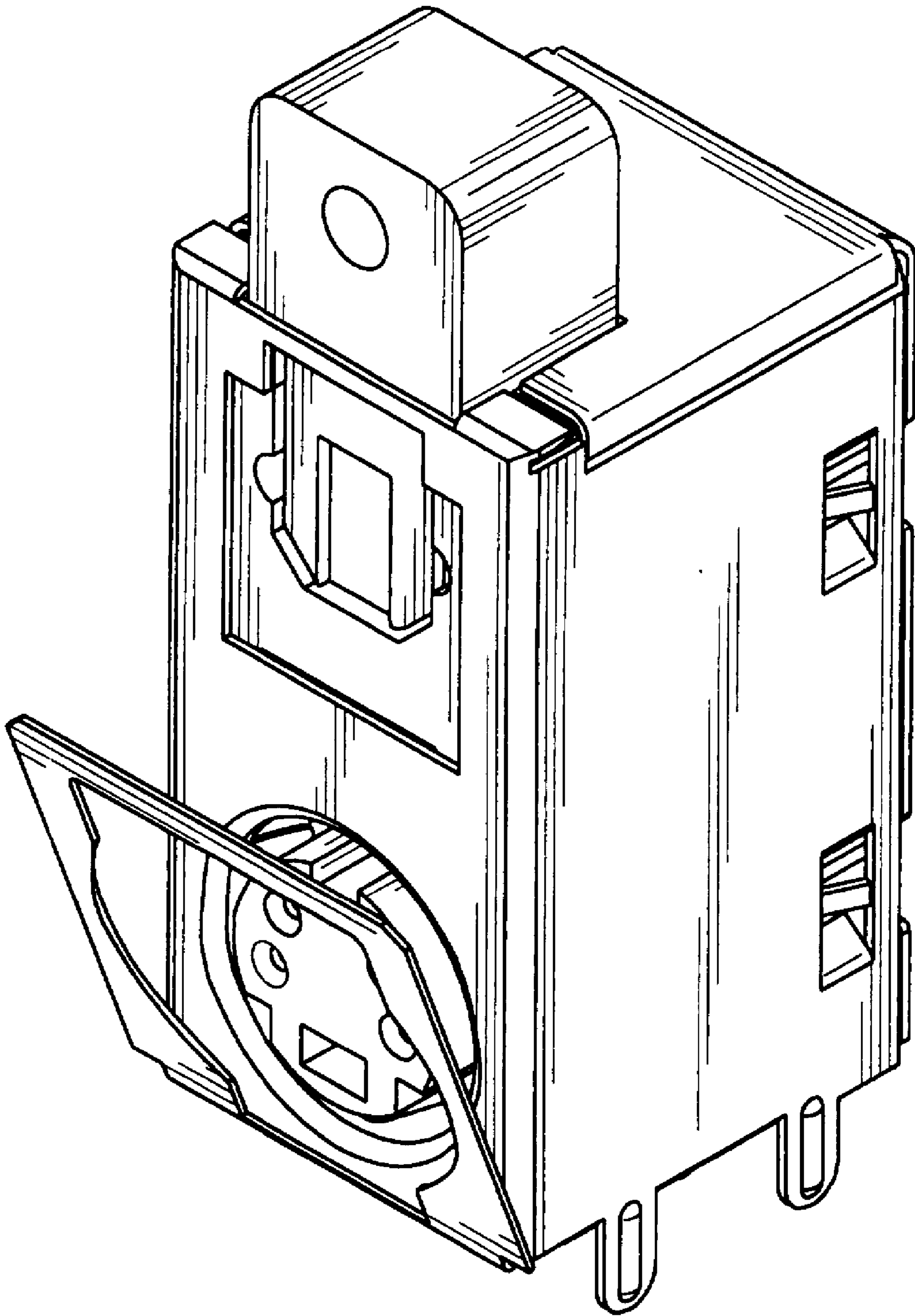


FIG. 1

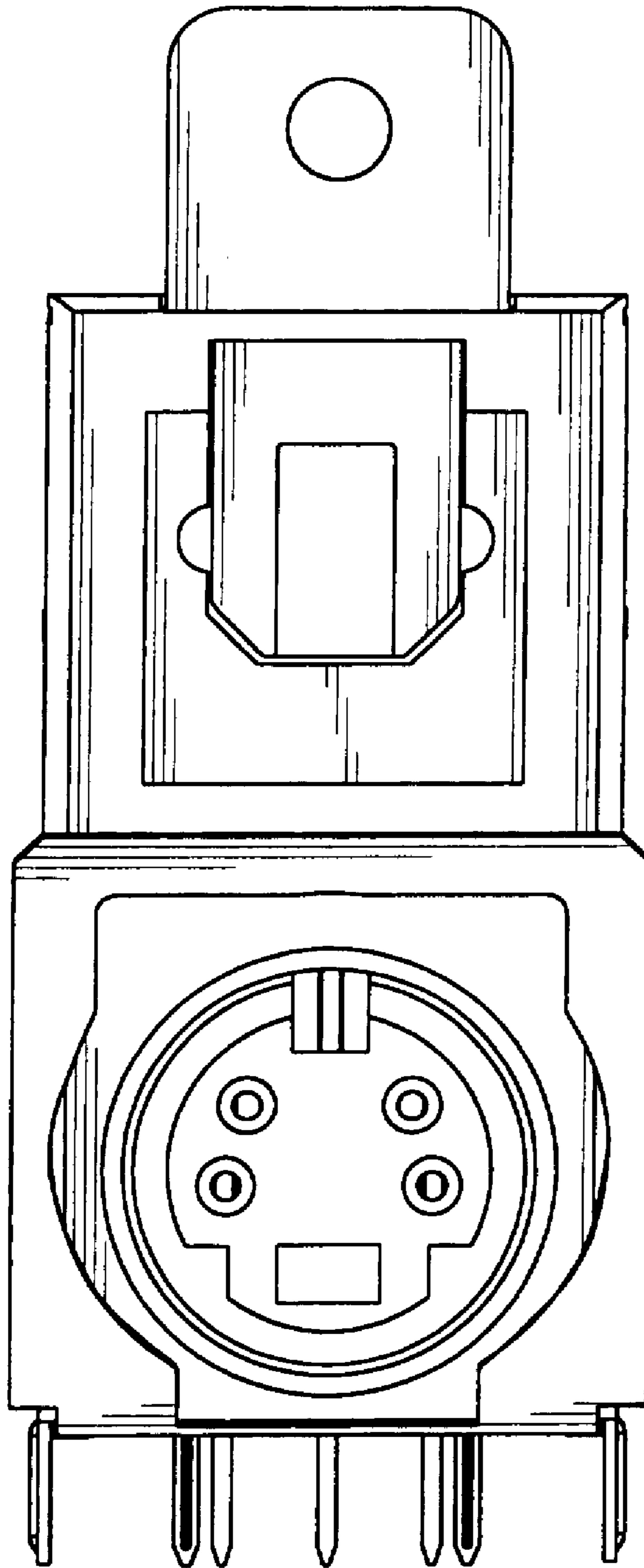


FIG. 2

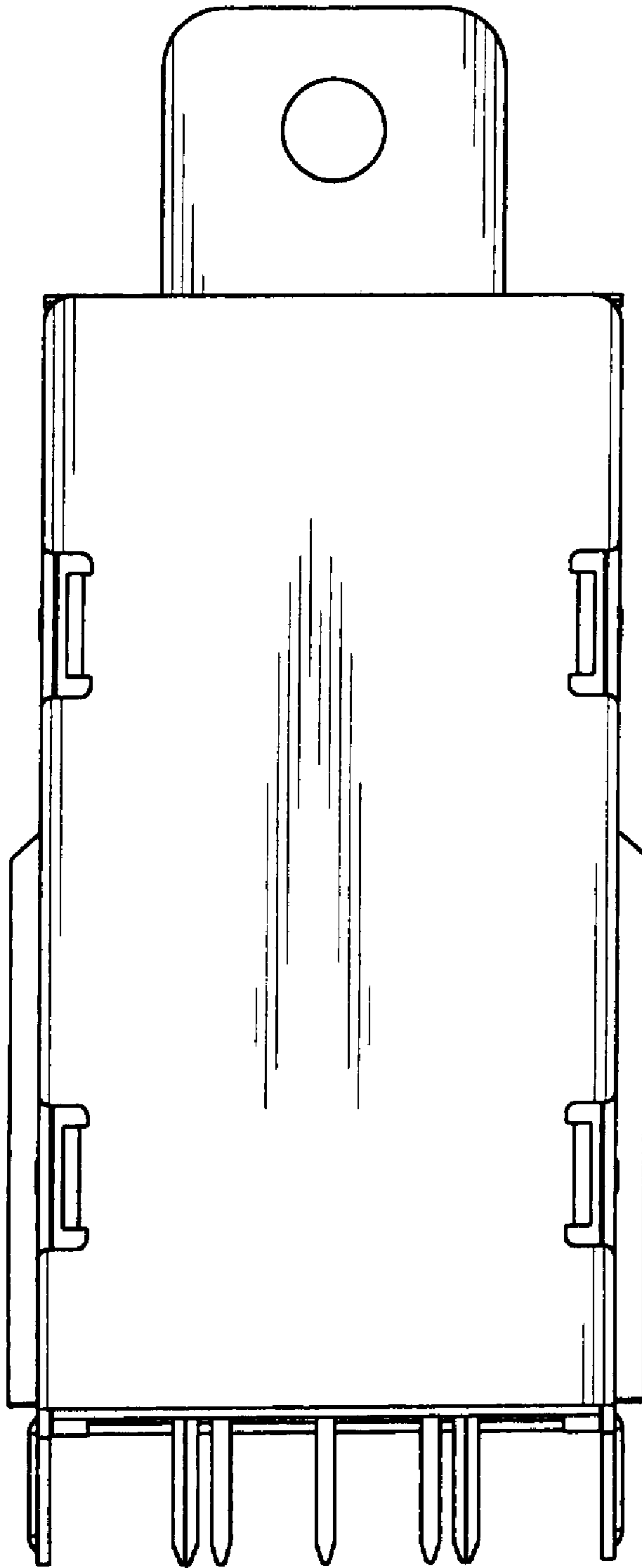


FIG. 3

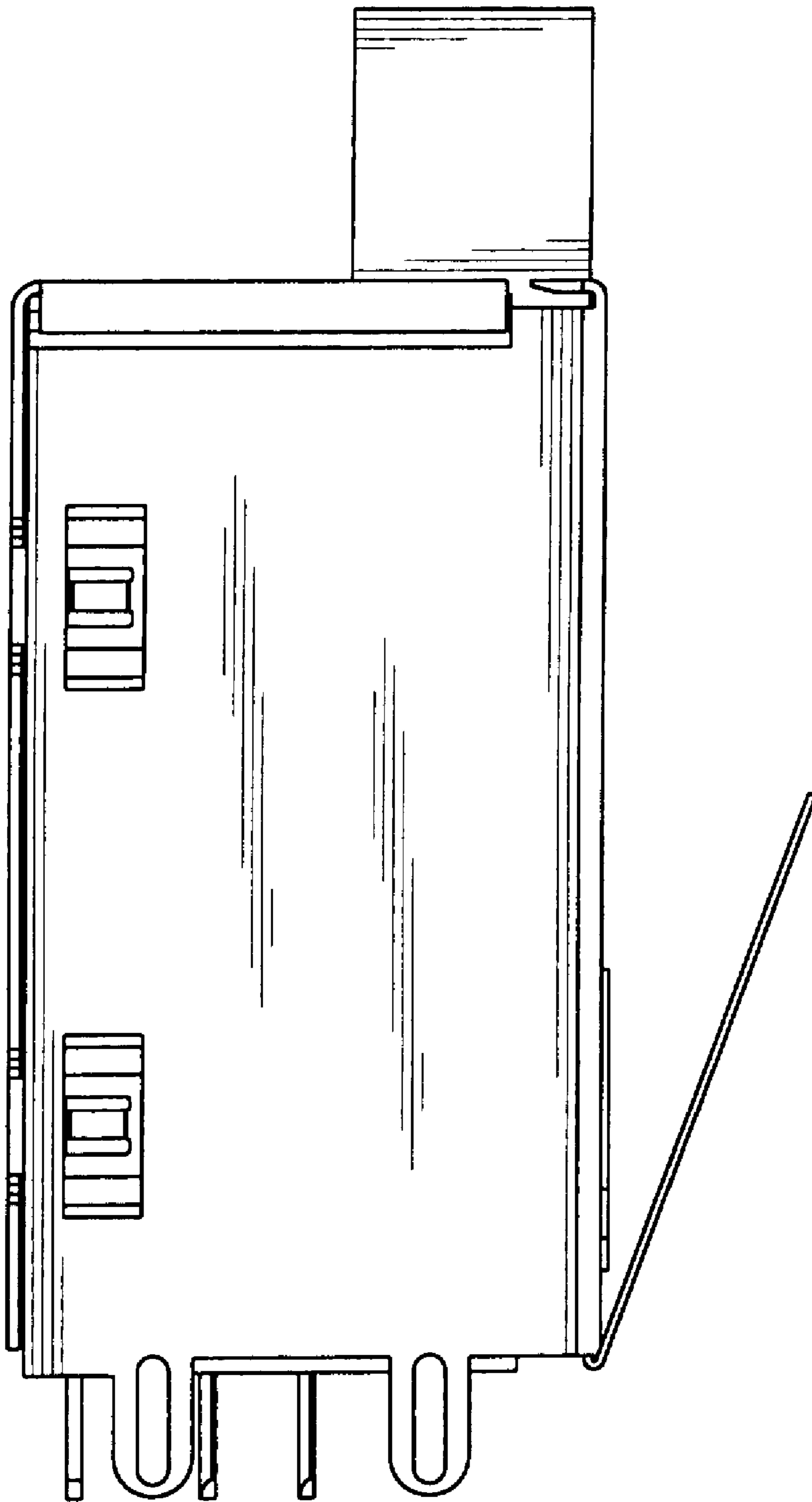


FIG. 4

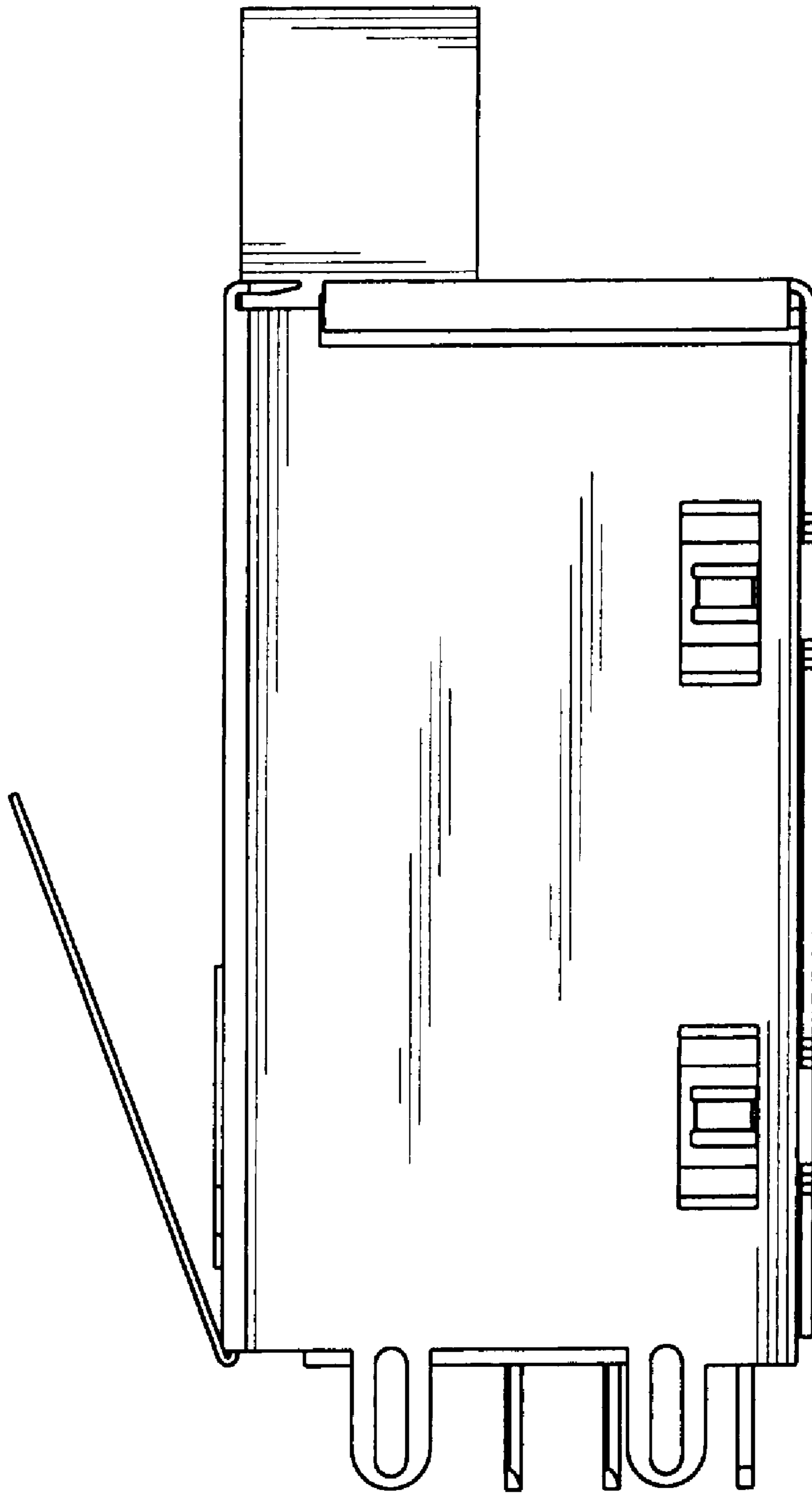


FIG. 5

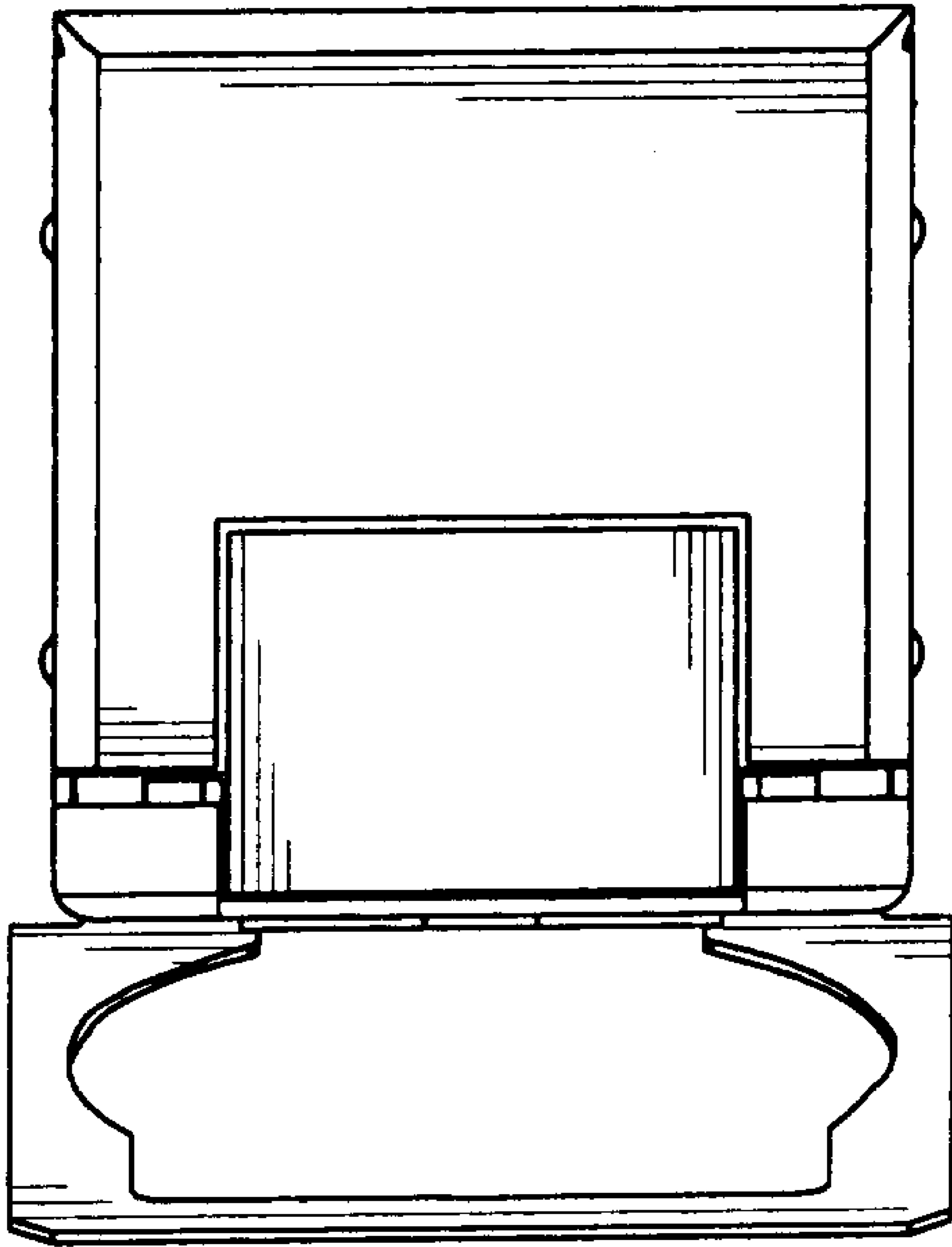


FIG. 6

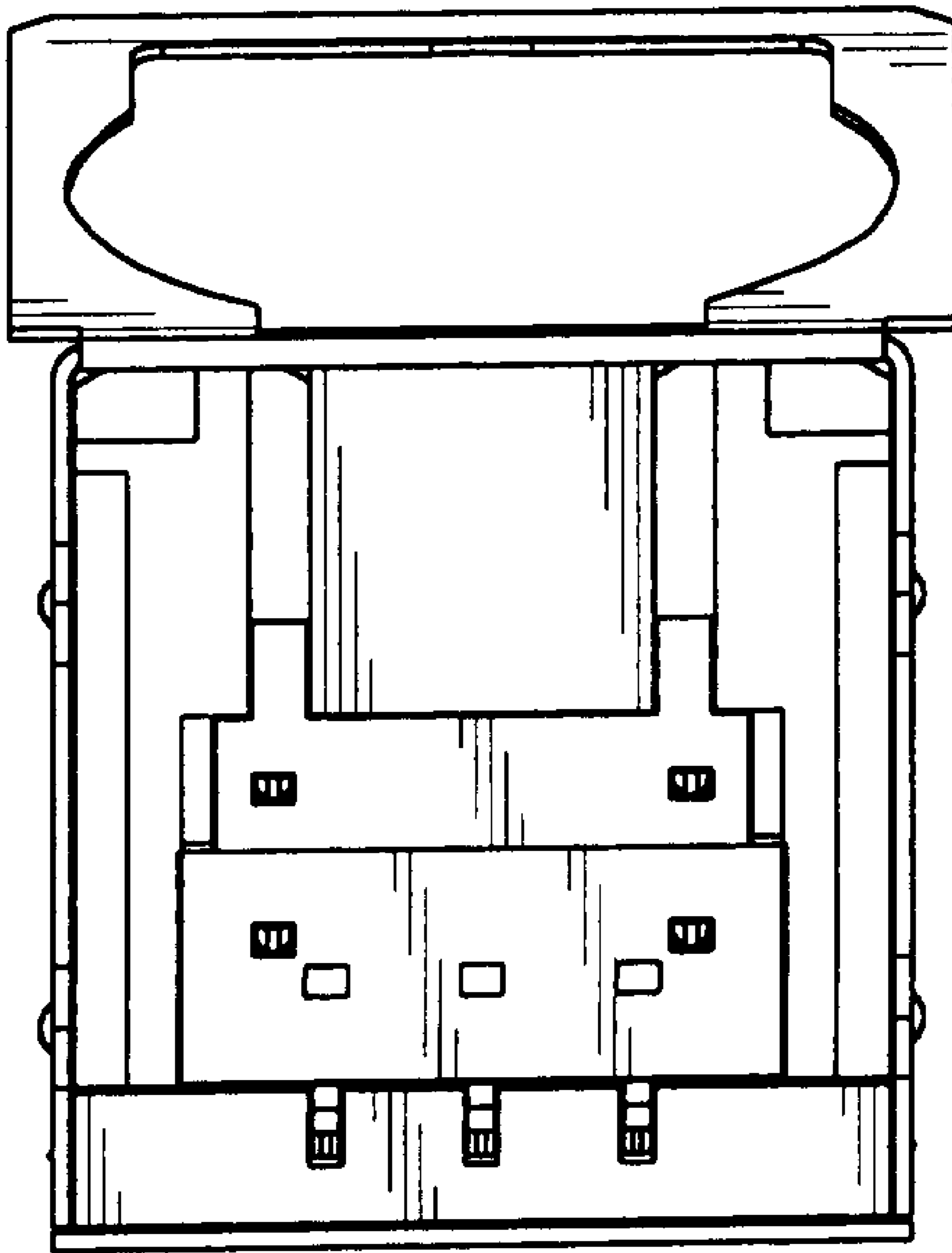


FIG. 7