



US00D433999S

# United States Patent [19]

Money et al.

[11] **Patent Number: Des. 433,999**

[45] **Date of Patent: \*\* Nov. 21, 2000**

## [54] **RETRACTABLE EXTENSION CORD HOLDER**

[76] Inventors: **Kenneth Money; Shirley Money**, both of Box #386, Silver Lake, Minn. 55381

[\*\*] Term: **14 Years**

[21] Appl. No.: **29/116,160**

[22] Filed: **Dec. 28, 1999**

[51] **LOC (7) Cl.** ..... **13-03**

[52] **U.S. Cl.** ..... **D13/137.4**

[58] **Field of Search** ..... D13/139.6, 139.7, D13/139.8, 137.1-137.4; 439/501, 650-652, 4, 107; 191/12.2 R, 12.4; 174/135

### [56] **References Cited**

#### U.S. PATENT DOCUMENTS

D. 383,439	9/1997	Tremmel et al. ....	D13/137.3
5,657,841	8/1997	Morvan .....	191/12.4
5,700,150	12/1997	Morin .....	439/4
6,077,109	6/2000	Prazoff .....	439/501

*Primary Examiner*—Susan J. Lucas  
*Assistant Examiner*—Jennifer Rivard

### [57] **CLAIM**

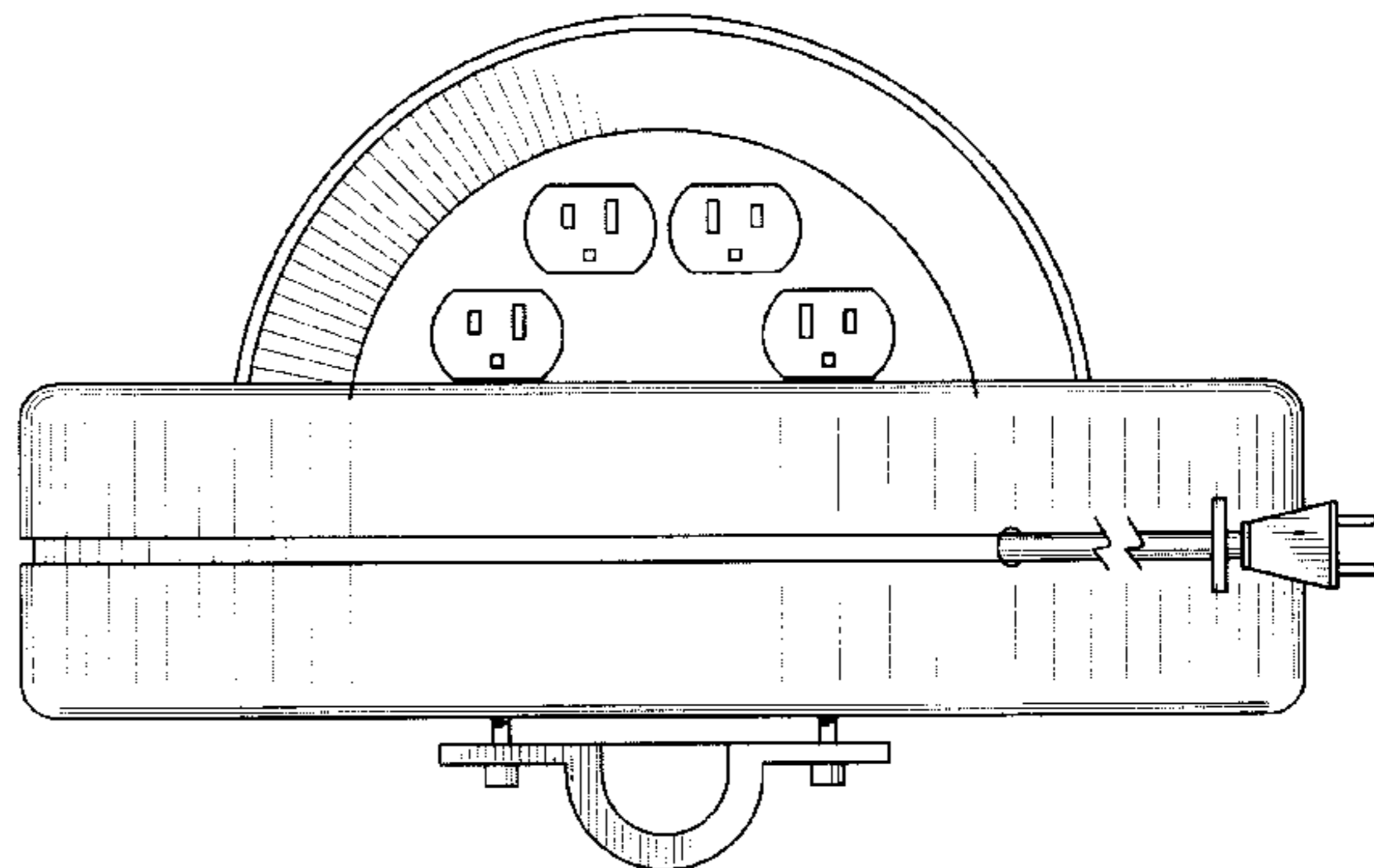
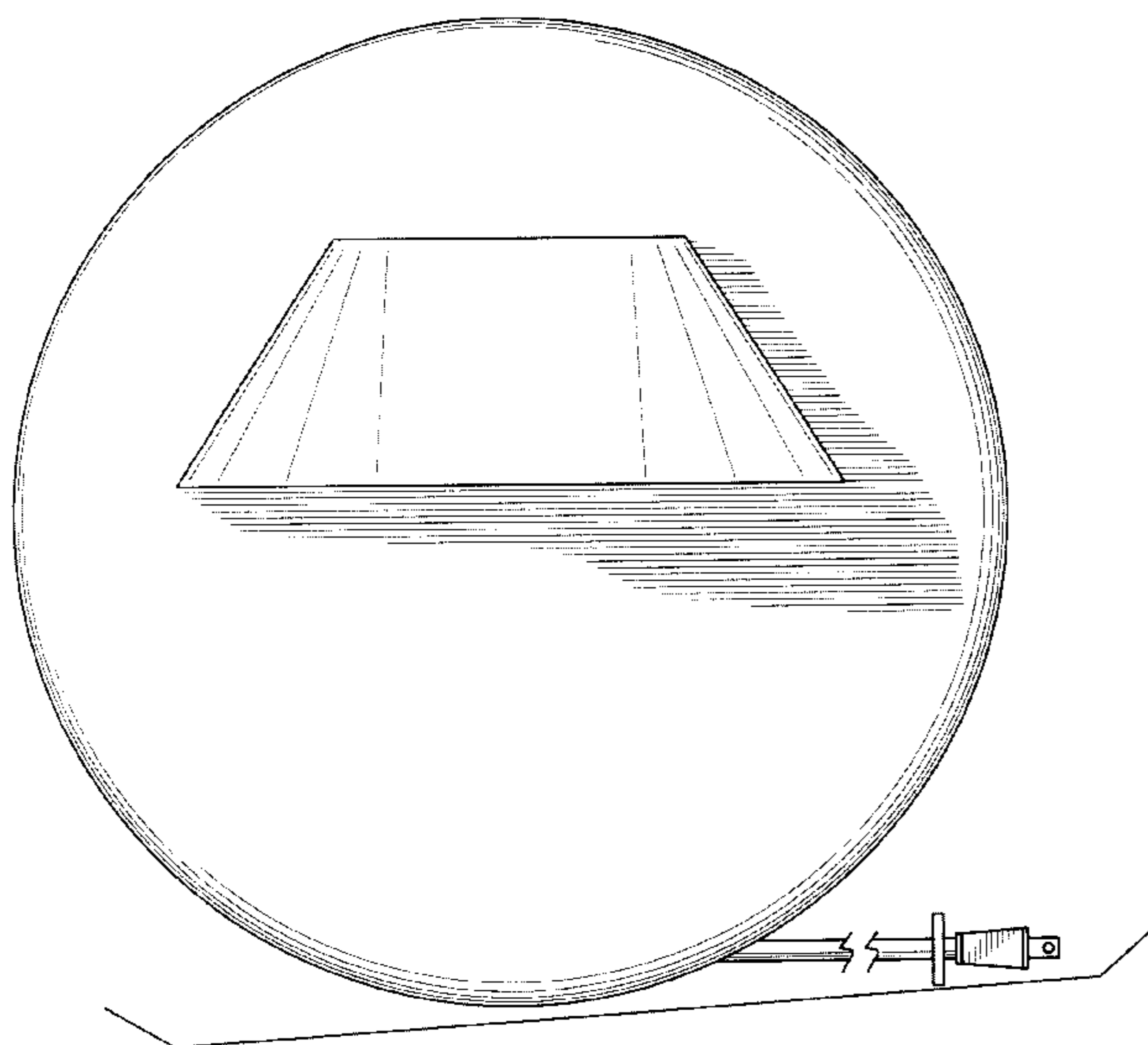
The ornamental design for a retractable extension cord holder, as shown and described.

### **DESCRIPTION**

FIG. 1 is a front elevational view of the retractable extension cord holder of the present invention; FIG. 2 is a rear elevational view of the retractable extension cord holder of FIG. 1; FIG. 3 is a left side elevational view of the retractable extension cord holder of FIG. 1; FIG. 4 is a right side elevational view of the retractable extension cord holder of FIG. 1; FIG. 5 is a top plan view of the retractable extension cord holder of FIG. 1; and, FIG. 6 is a bottom plan view of the retractable extension cord holder of FIG. 1.

The claimed design is shown broken away to indicate indefinite length.

**1 Claim, 4 Drawing Sheets**



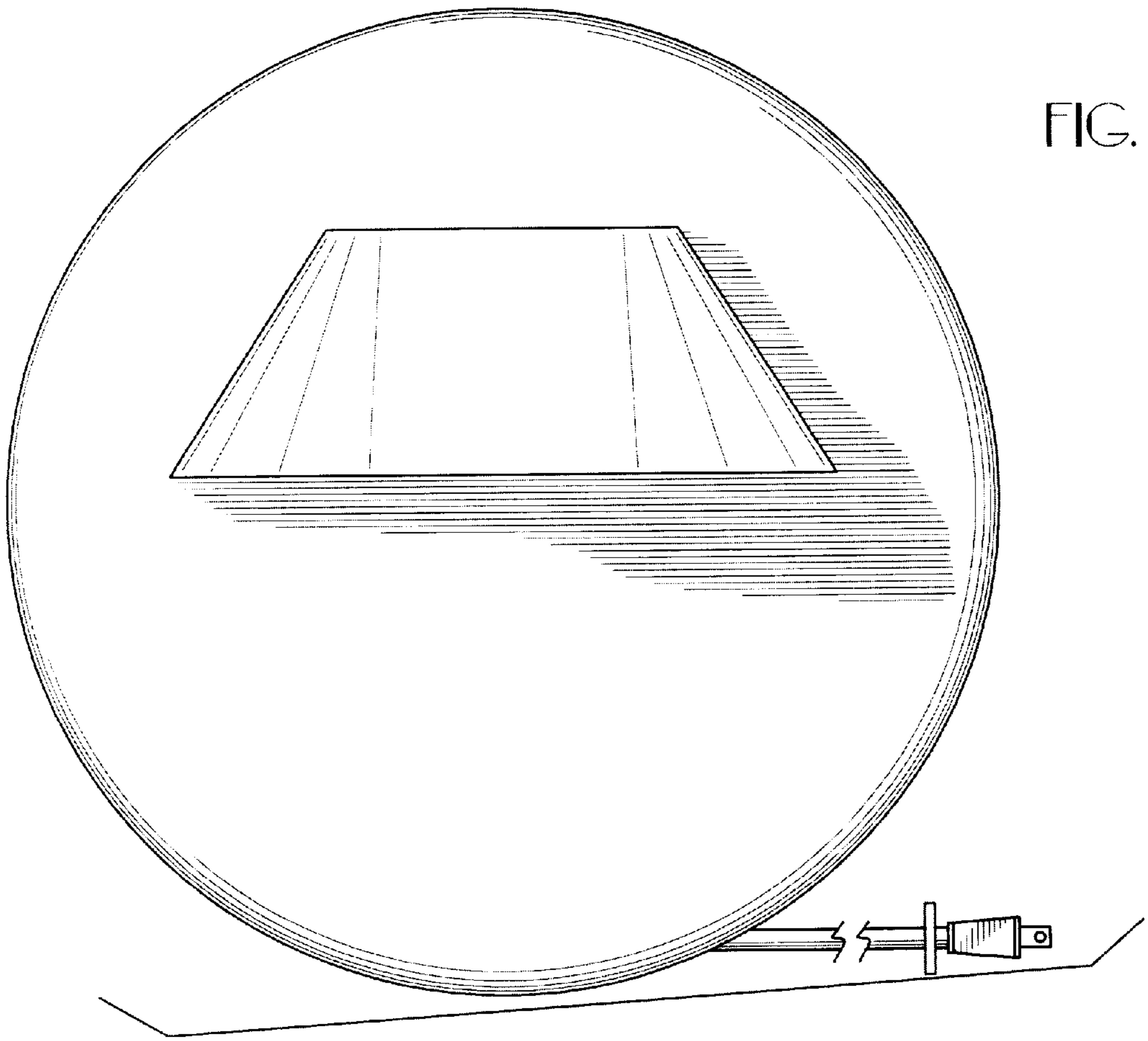


FIG. 2

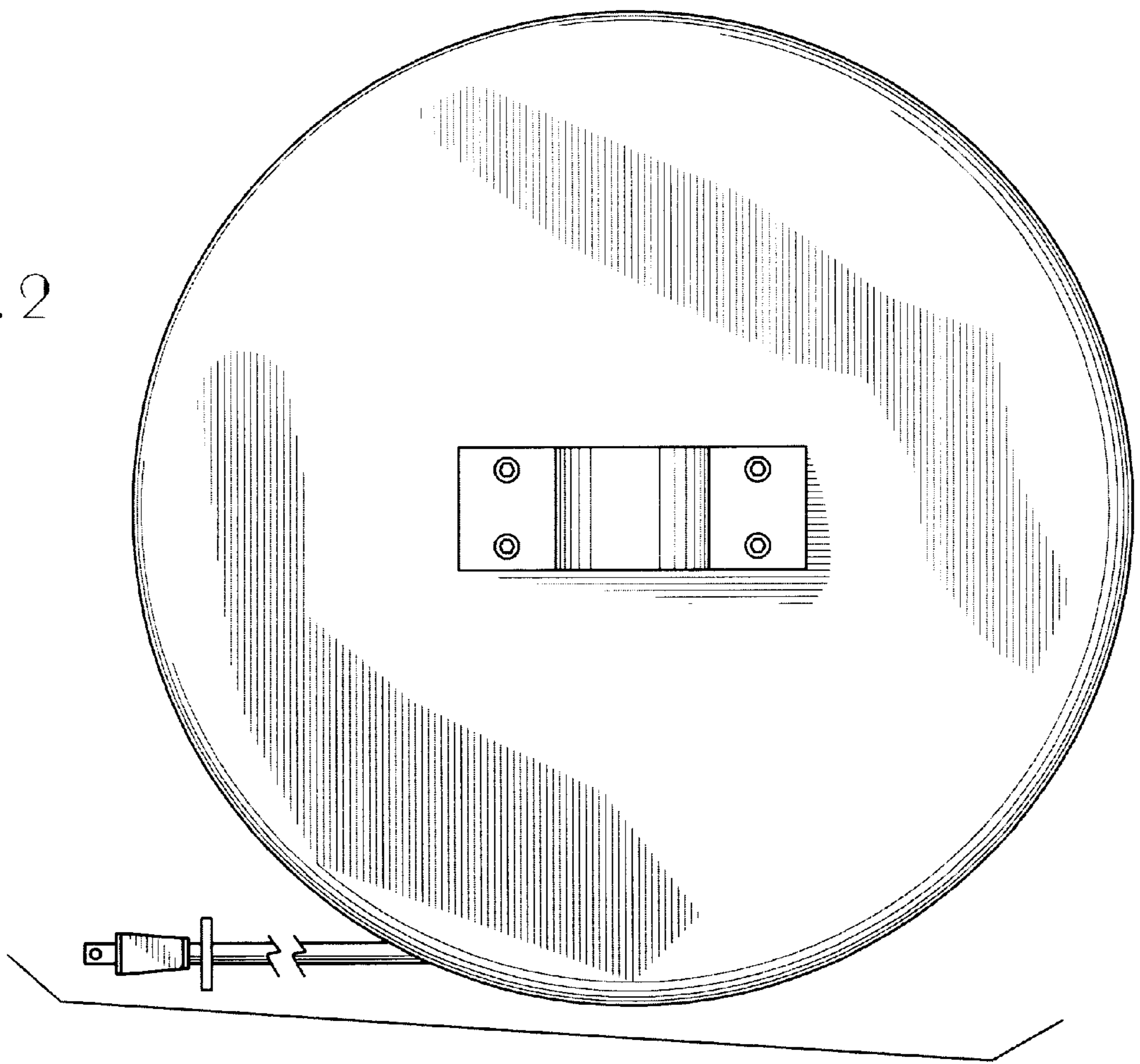


FIG. 3

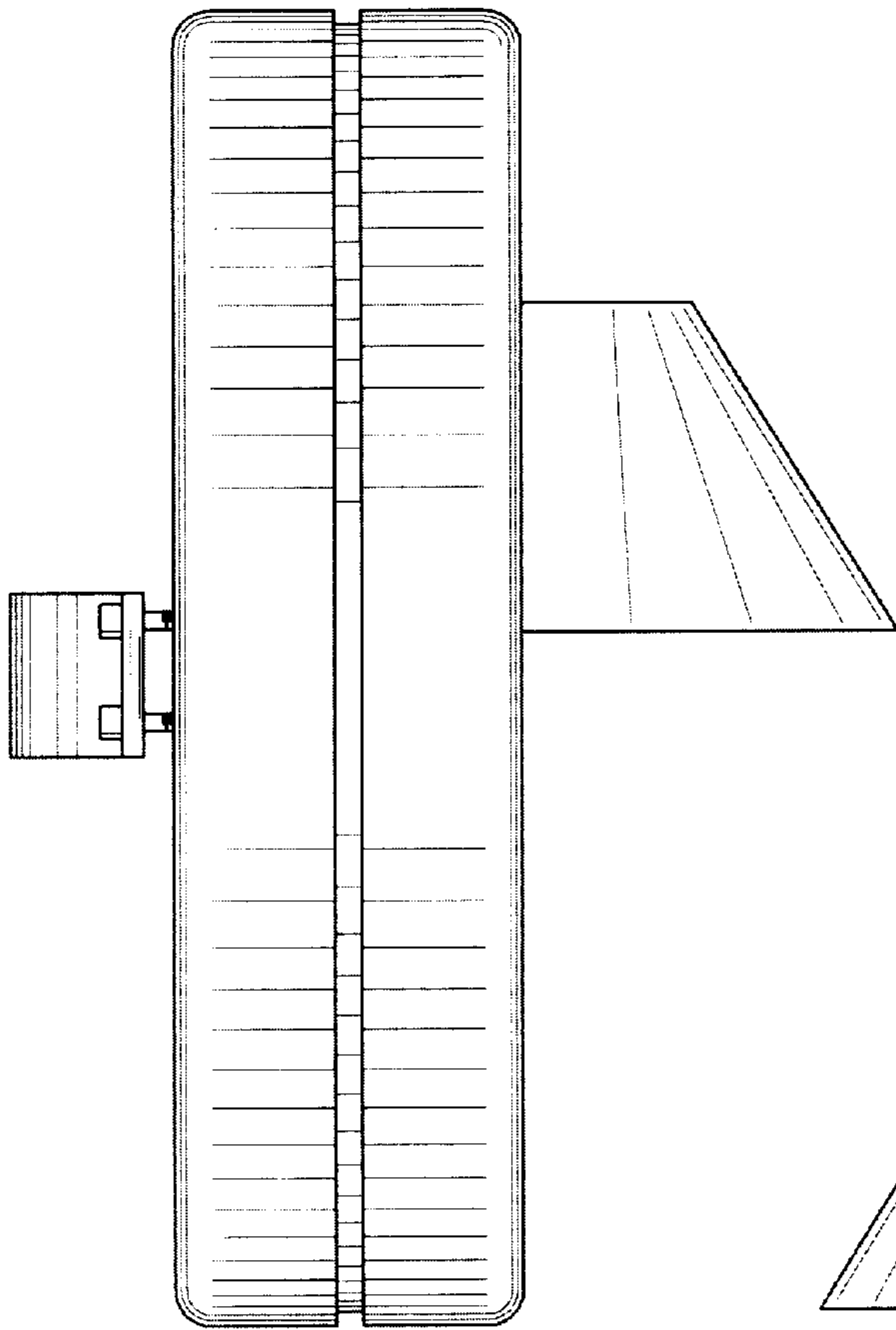


FIG. 4

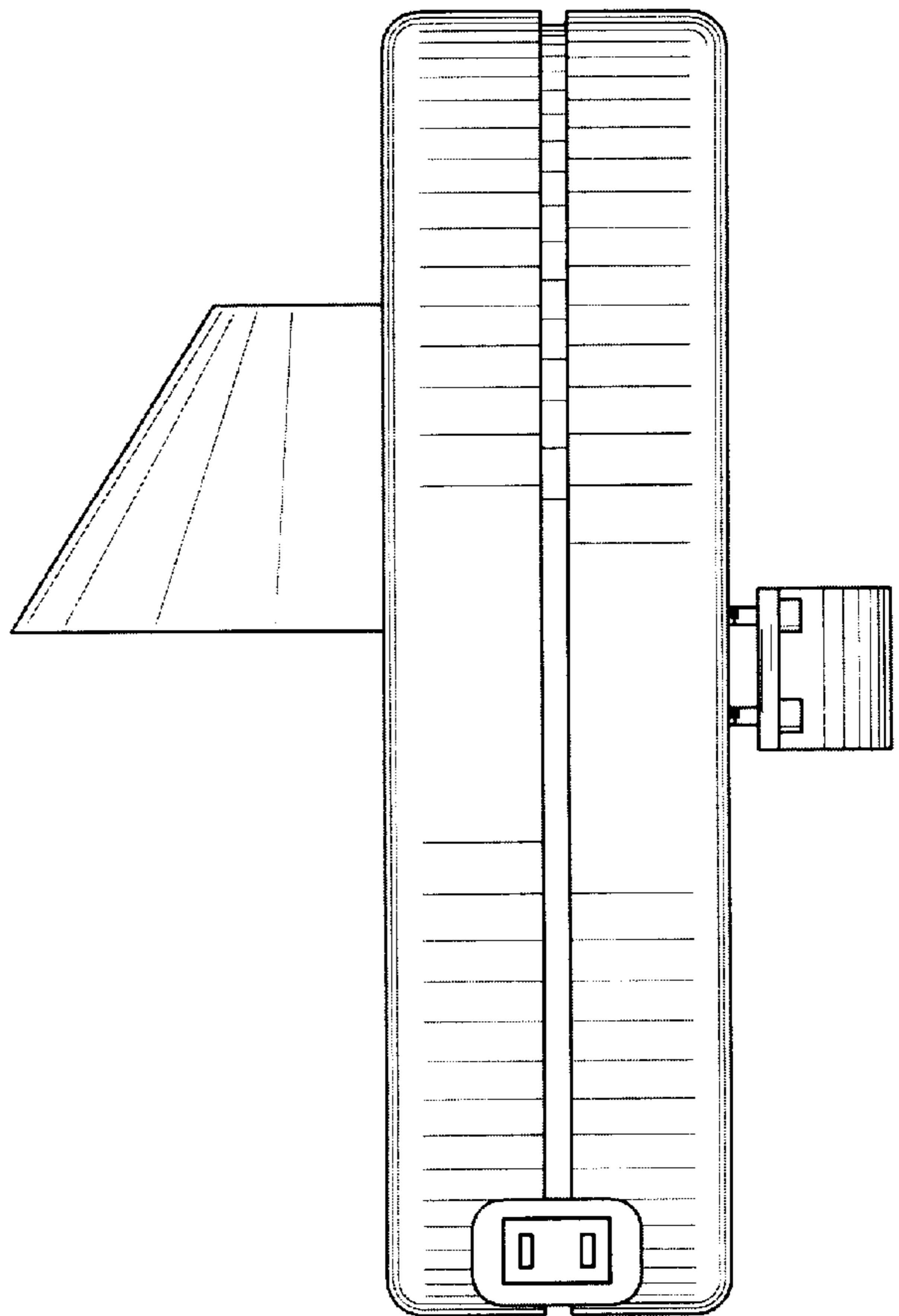


FIG. 5

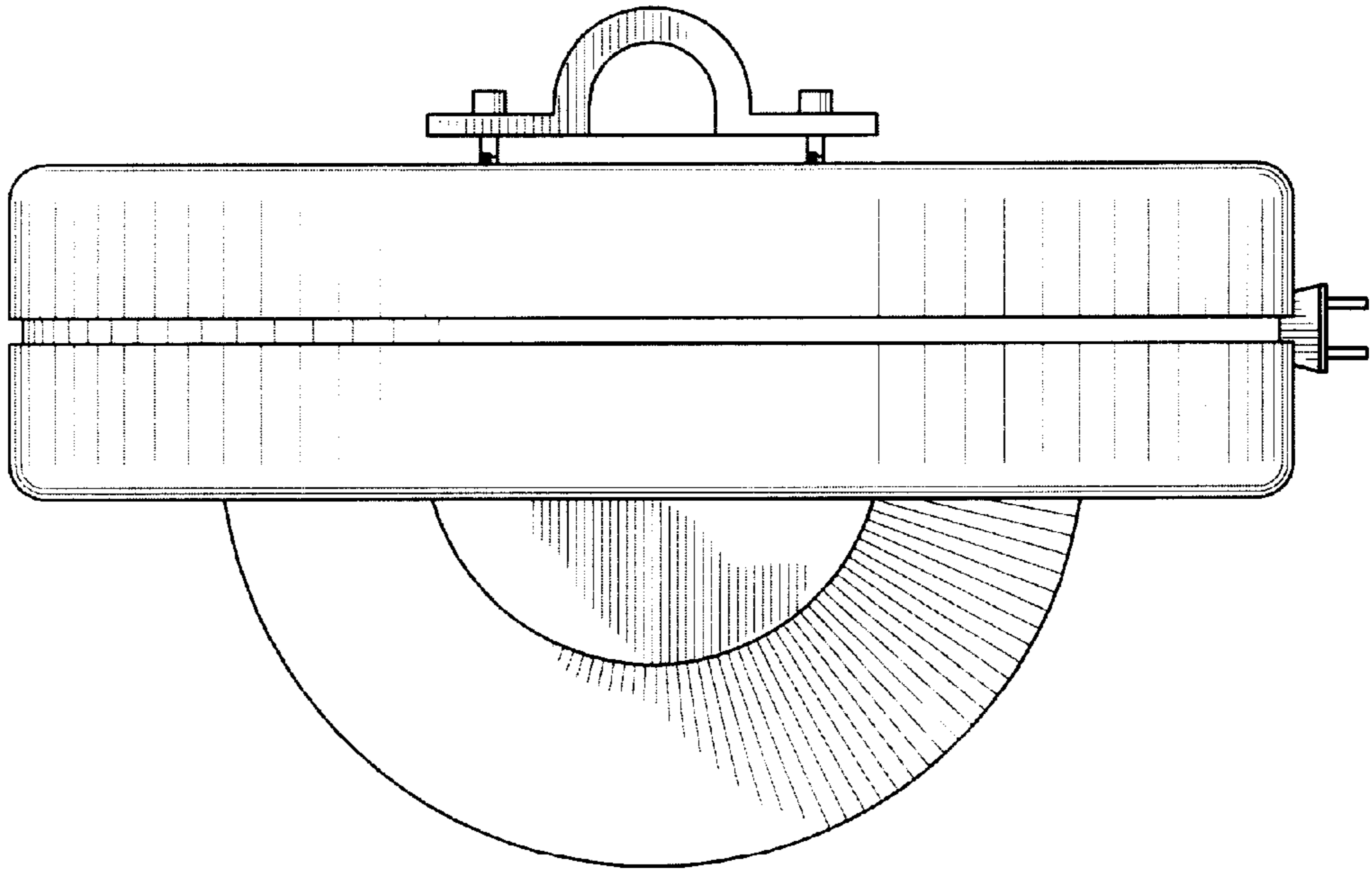


FIG. 6

