



US00D433997S

United States Patent [19]

Laituri et al.

[11] Patent Number: **Des. 433,997**

[45] Date of Patent: **** Nov. 21, 2000**

[54] **TURBOGENERATOR**

4,424,452	1/1984	Francis	290/52 X
4,694,190	9/1987	Lane et al.	290/52
4,746,808	5/1988	Kaeser	290/52

[75] Inventors: **Dave Laituri**, Wayland, Mass.; **Jeffrey L. Smith**, San Mateo; **Paul Hamerton-Kelly**, Berkeley, both of Calif.

Primary Examiner—Joel Sincavage
Attorney, Agent, or Firm—Albert J. Miller

[73] Assignee: **Capstone Turbine Corporation**, Chatsworth, Calif.

[57] **CLAIM**

[**] Term: **14 Years**

The ornamental design for a turbogenerator, as shown and described.

[21] Appl. No.: **29/111,104**

DESCRIPTION

[22] Filed: **Sep. 20, 1999**

FIG. 1 is right front perspective view of a turbogenerator showing our design thereof;

[51] **LOC (7) Cl.** **13-01**

FIG. 2 is a left rear perspective view thereof;

[52] **U.S. Cl.** **D13/112**

FIG. 3 is a front elevation view thereof; and,

[58] **Field of Search** D13/112, 114; 290/52

FIG. 4 is a right side elevation view thereof, the left side being a mirror image.

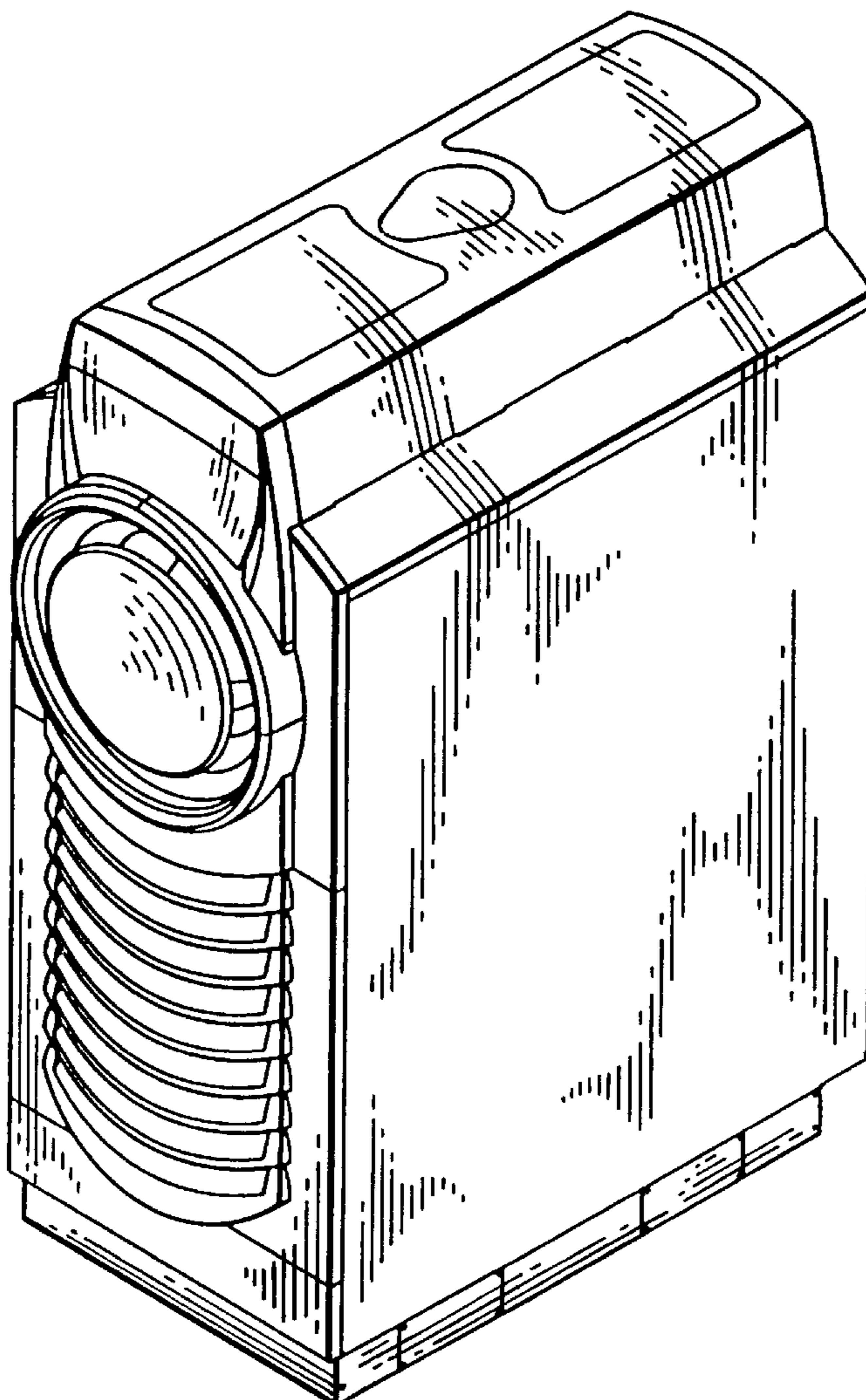
The bottom of the turbogenerator forms no part of the claimed design.

[56] **References Cited**

U.S. PATENT DOCUMENTS

3,791,682 2/1974 Mitchell 290/2

1 Claim, 4 Drawing Sheets



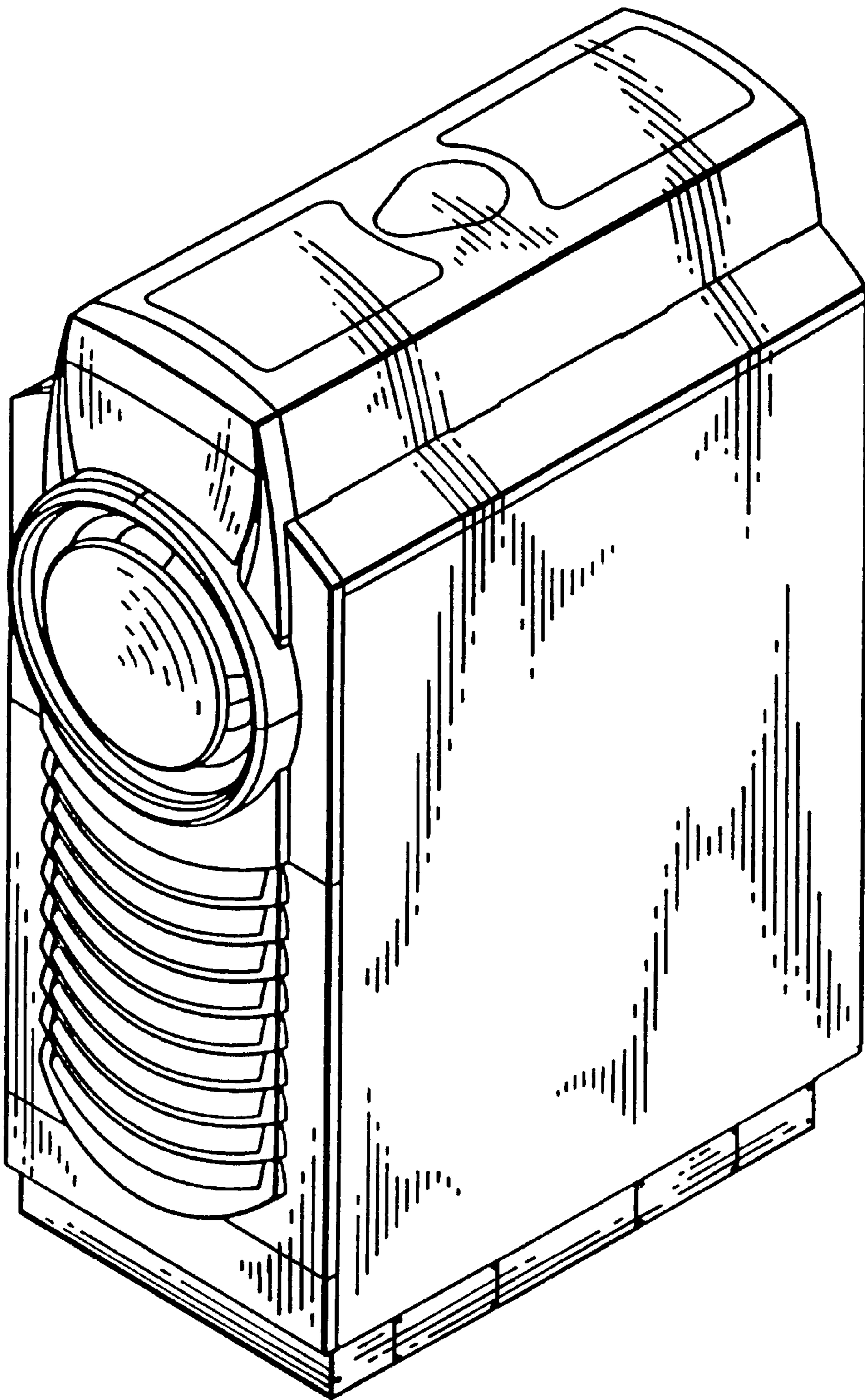


FIG. 1

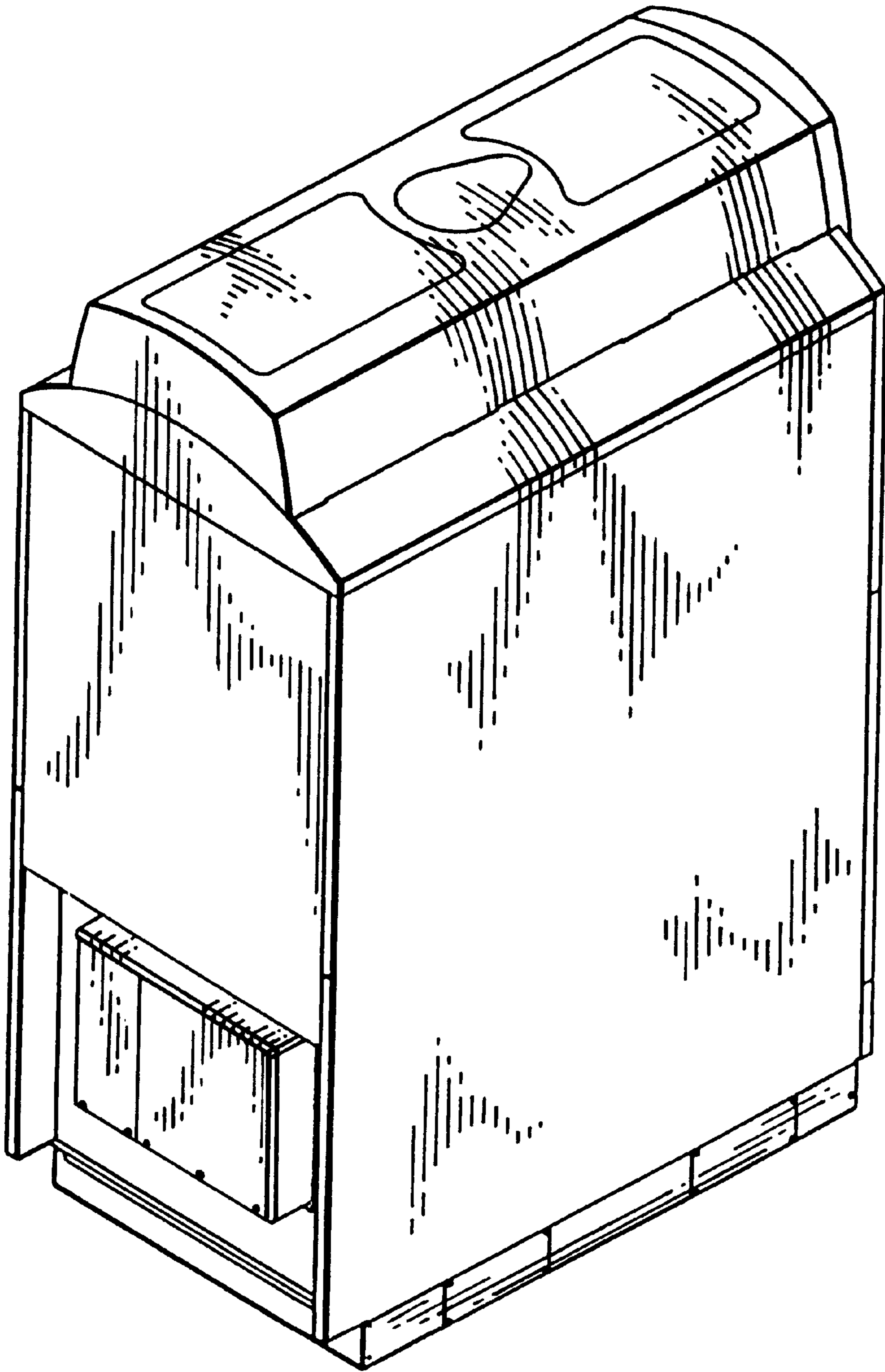


FIG. 2

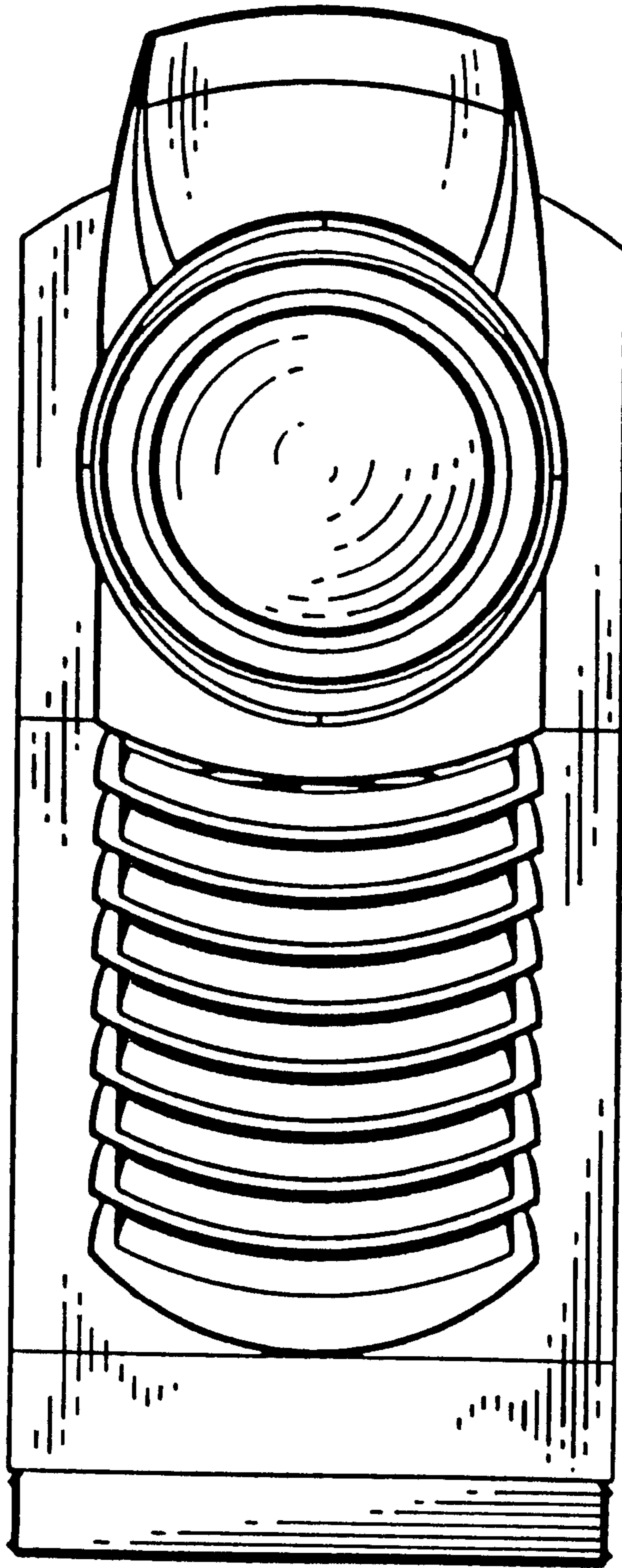


FIG. 3

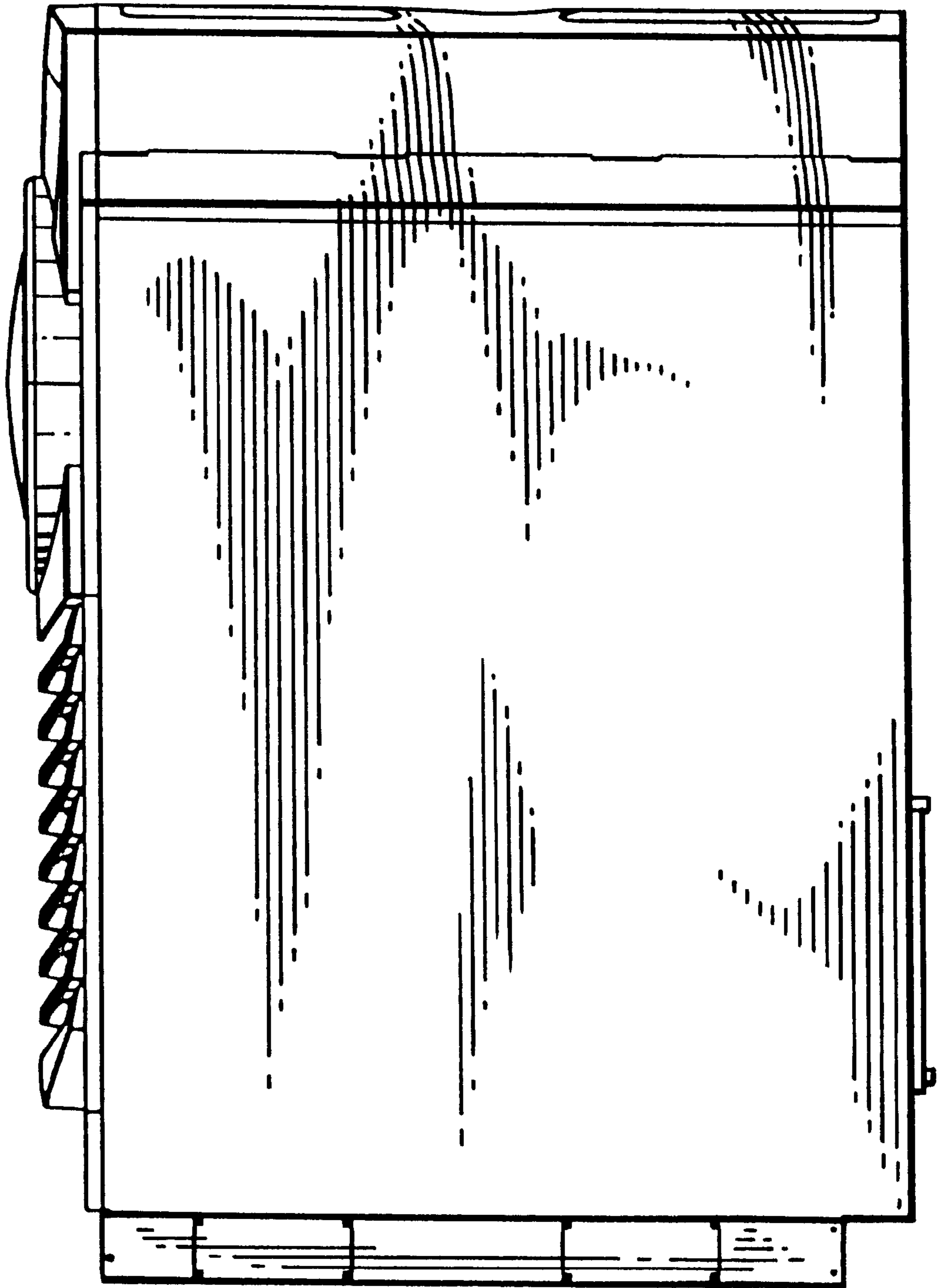


FIG. 4