



US00D433992S

United States Patent [19]
Luecke

[11] **Patent Number: Des. 433,992**

[45] **Date of Patent: ** Nov. 21, 2000**

[54] **DEVICE FOR PROVIDING POWER TO PORTABLE ELECTRONIC DEVICES**

[75] Inventor: **Francis S. Luecke**, Crestwood, Ky.

[73] Assignee: **Surecall LLC**, Crestwood, Ky.

[**] Term: **14 Years**

[21] Appl. No.: **29/121,147**

[22] Filed: **Mar. 31, 2000**

[51] **LOC (7) Cl.** **13-02**

[52] **U.S. Cl.** **D13/108**

[58] **Field of Search** D13/107, 108;
320/110-115

[56] **References Cited**

U.S. PATENT DOCUMENTS

D. 321,681	11/1991	Ohashi	D13/108
D. 322,061	12/1991	Watanabe	D13/108
D. 325,369	4/1992	Ullmann	D13/108
D. 354,168	1/1995	Hartwein	D4/108

Primary Examiner—Joel Sincavage

Attorney, Agent, or Firm—James C. Eaves, Jr.; Greenebaum Doll & McDonald PLLC

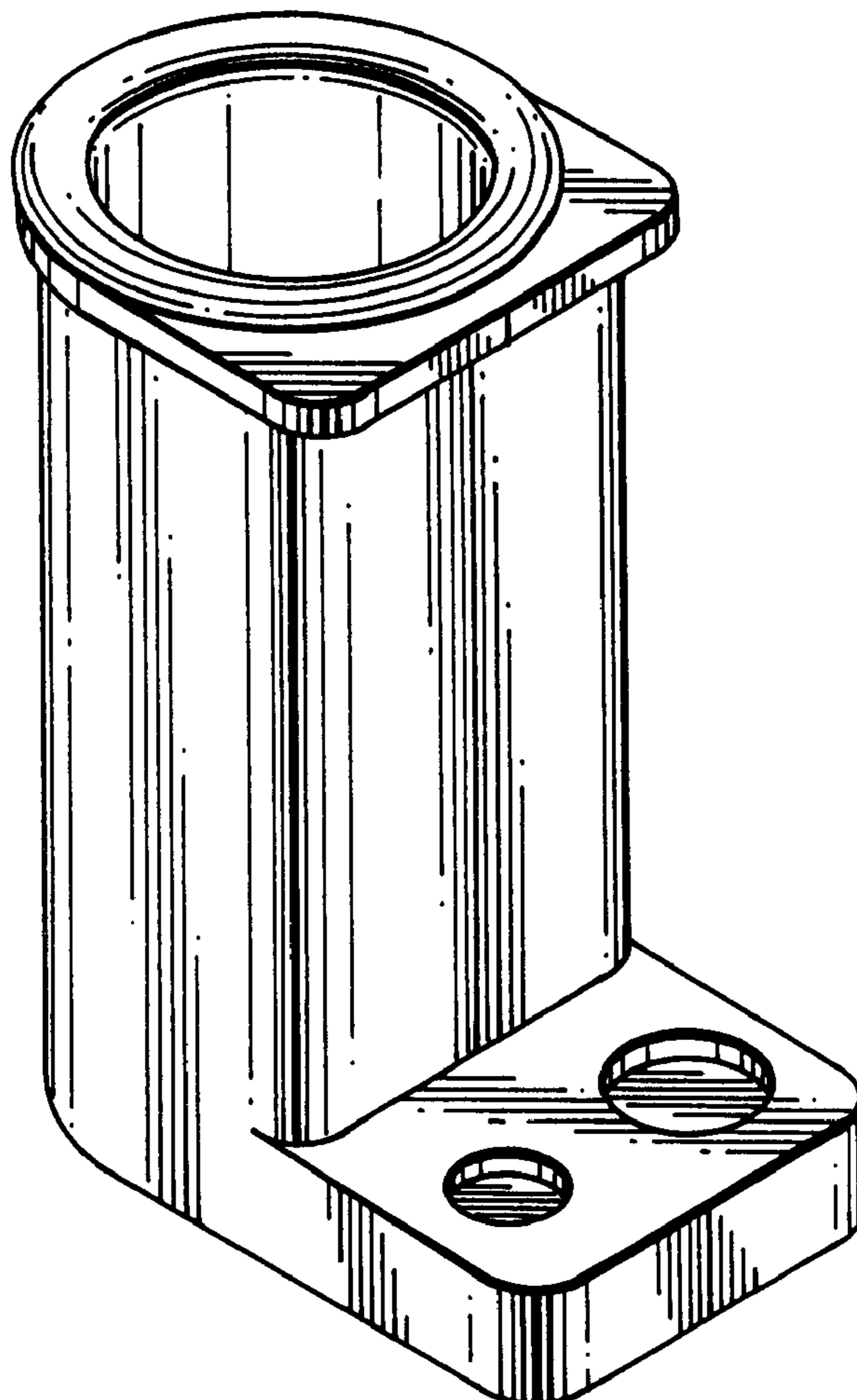
[57] **CLAIM**

The ornamental design for a device for providing power to portable electronic devices, as shown and described.

DESCRIPTION

FIG. 1 is a rear view of the device of the first embodiment; FIG. 2 is a left side view of the device of the first embodiment, with the right side being a mirror image thereof; FIG. 3 is a front view of the device of the first embodiment; FIG. 4 is a top view of the device of the first embodiment; FIG. 5 is a bottom view of the device of the first embodiment; FIG. 6 is a top left front perspective view of the device of the first embodiment; FIG. 7 is a top left front perspective view of the device of the second embodiment, the battery terminal receiving openings being reversed from that of the first embodiment of FIG. 6; and, FIG. 8 is a bottom right rear perspective view of the device of the first embodiment.

1 Claim, 2 Drawing Sheets



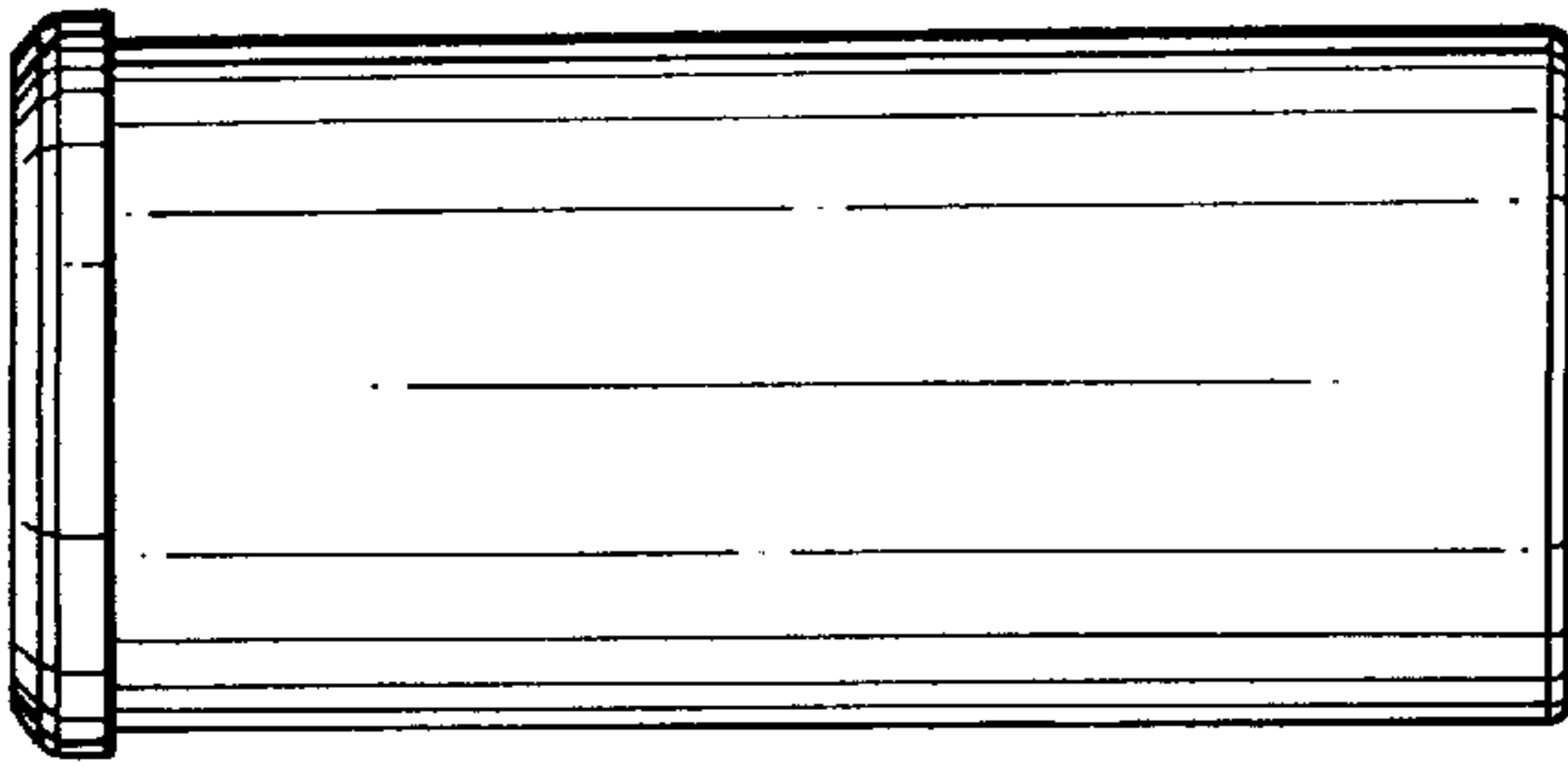


FIG. 1

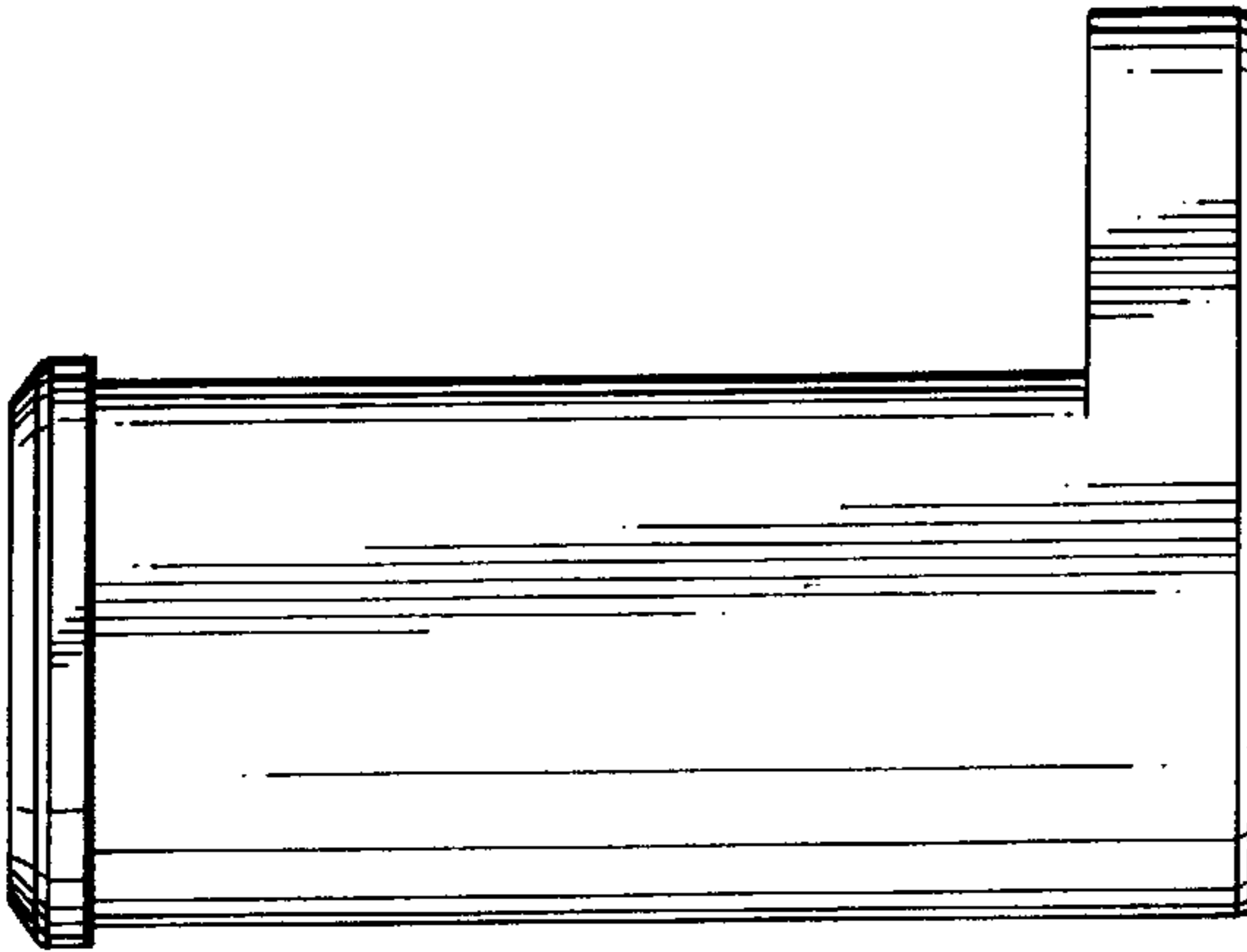


FIG. 2

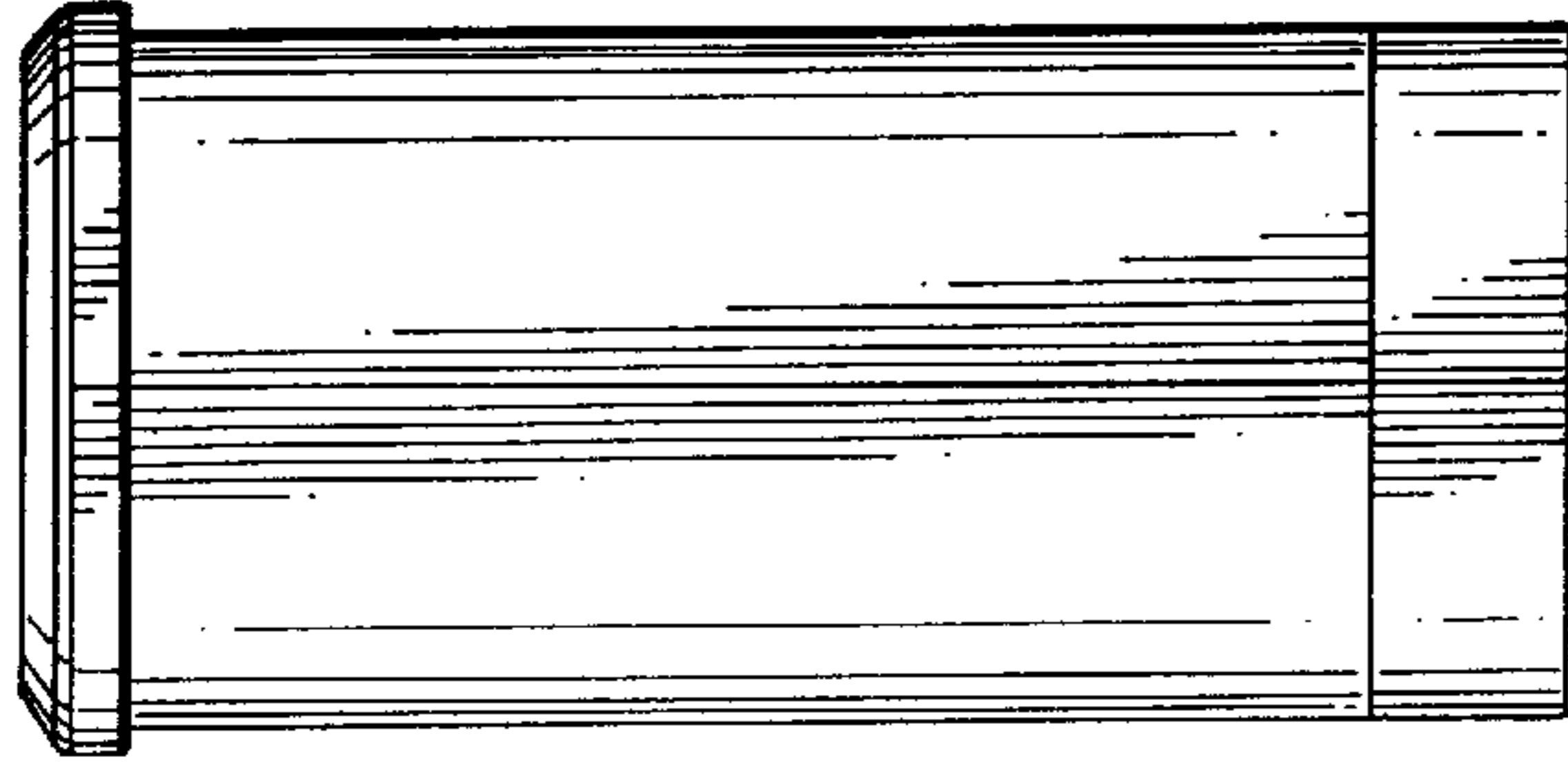


FIG. 3

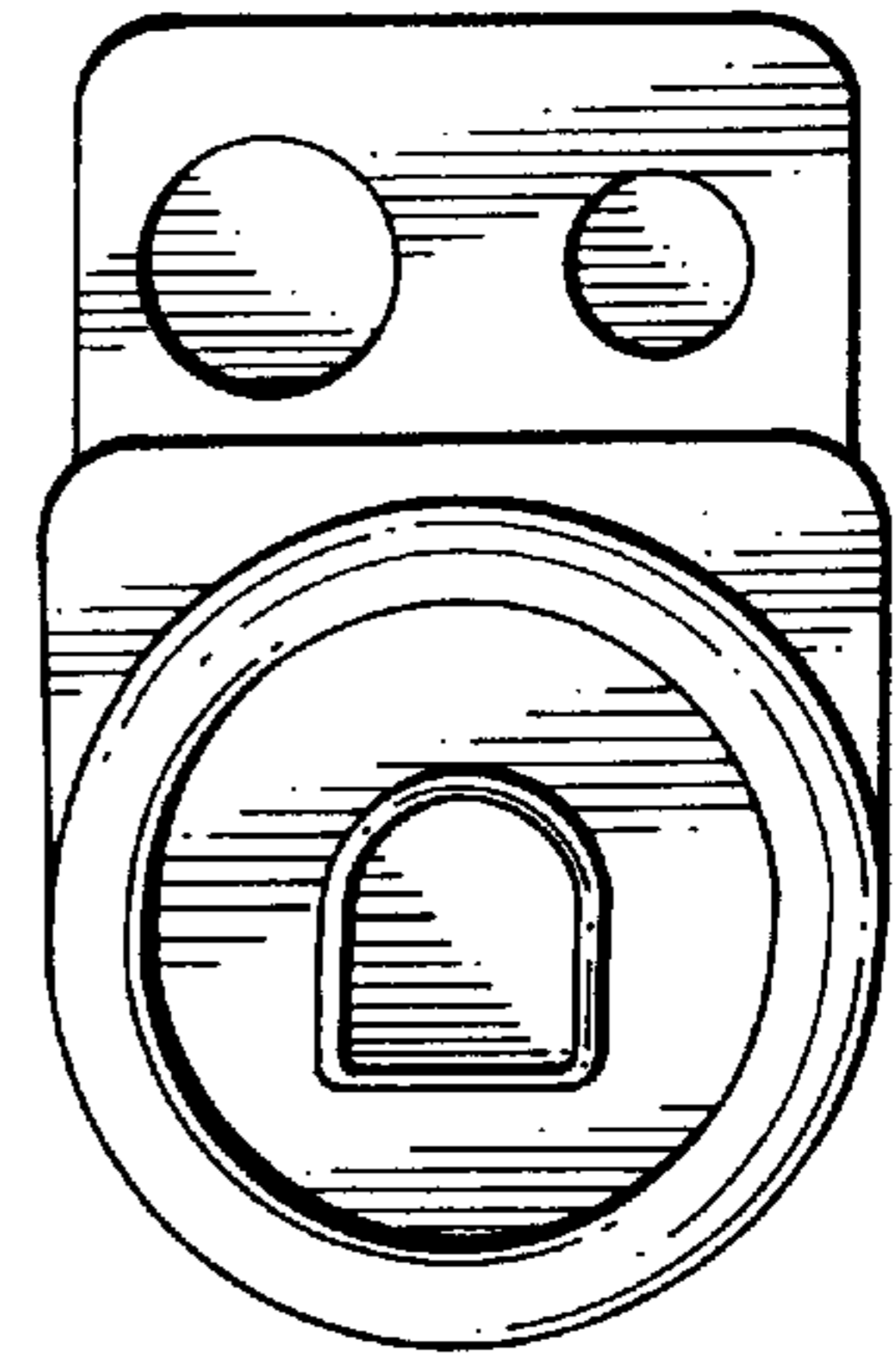


FIG. 4

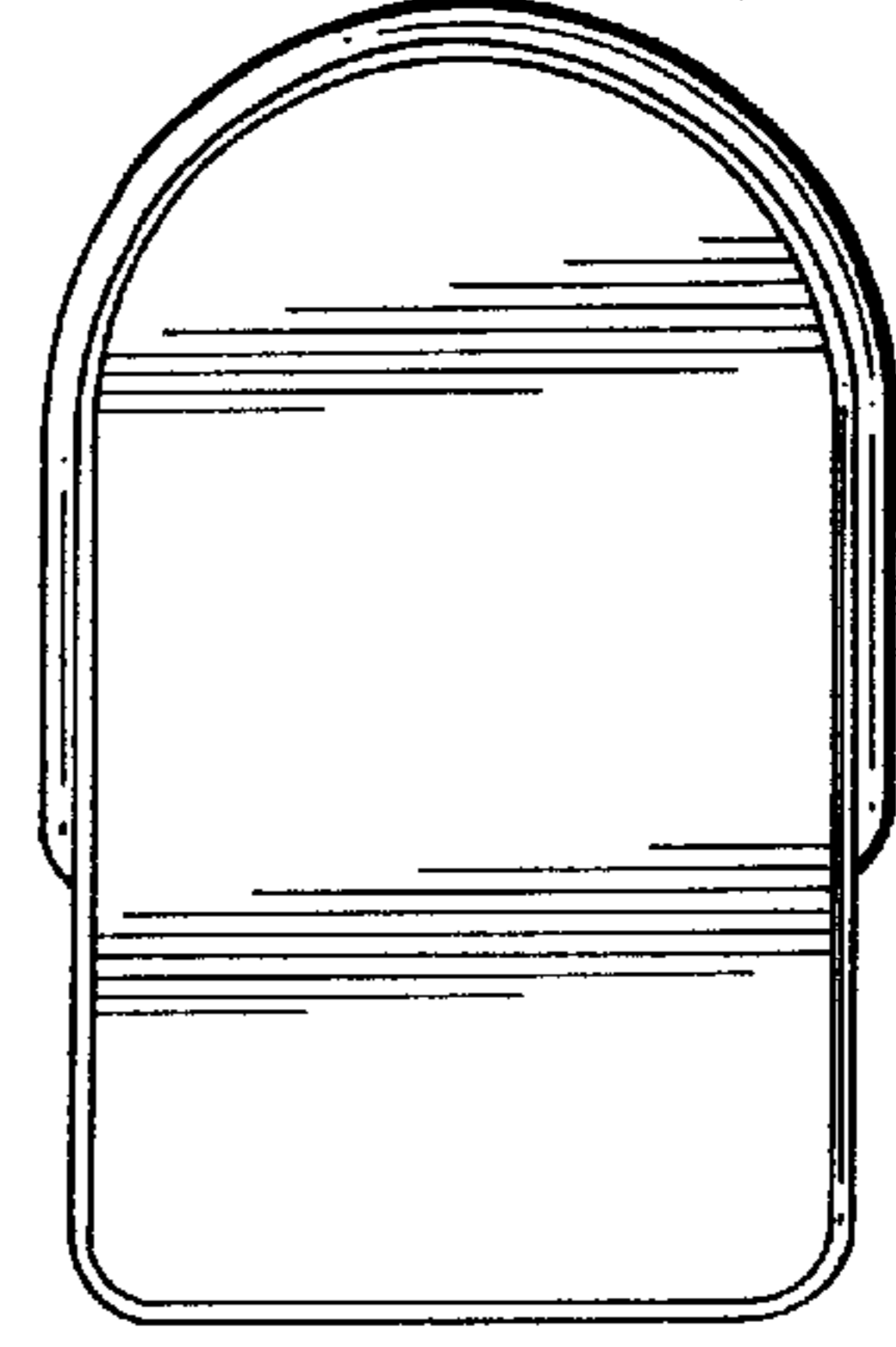


FIG. 5

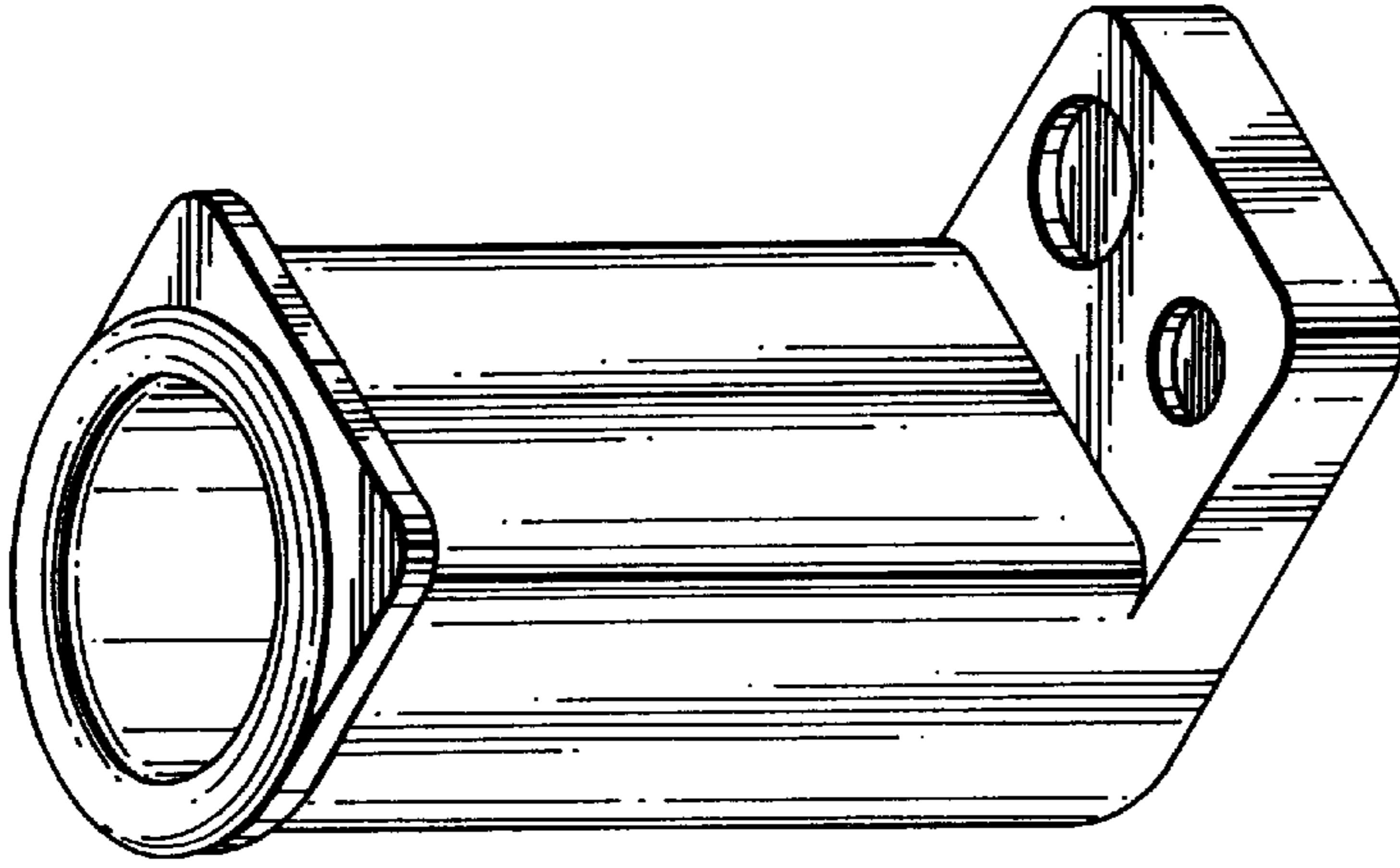


FIG. 6

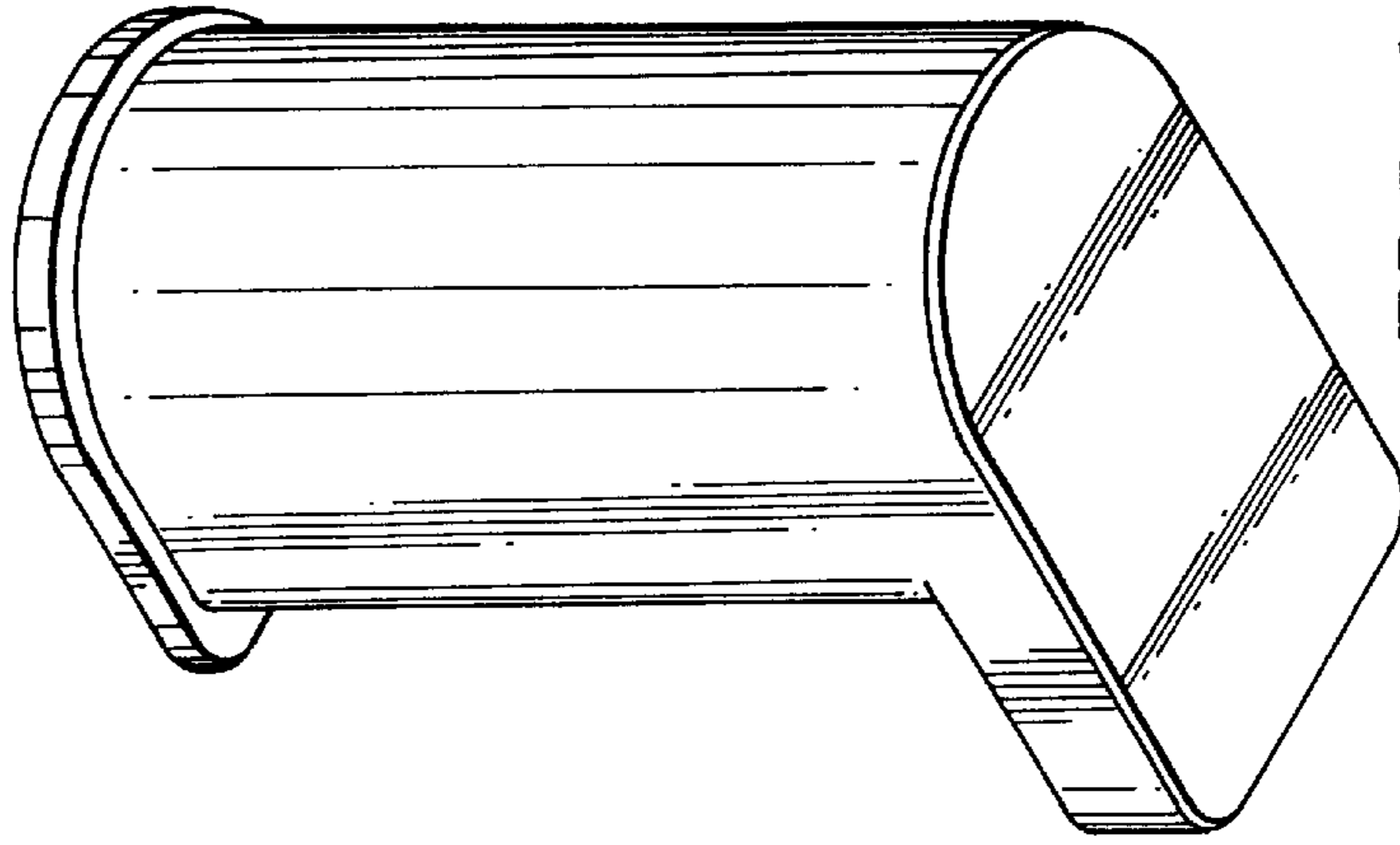


FIG. 8

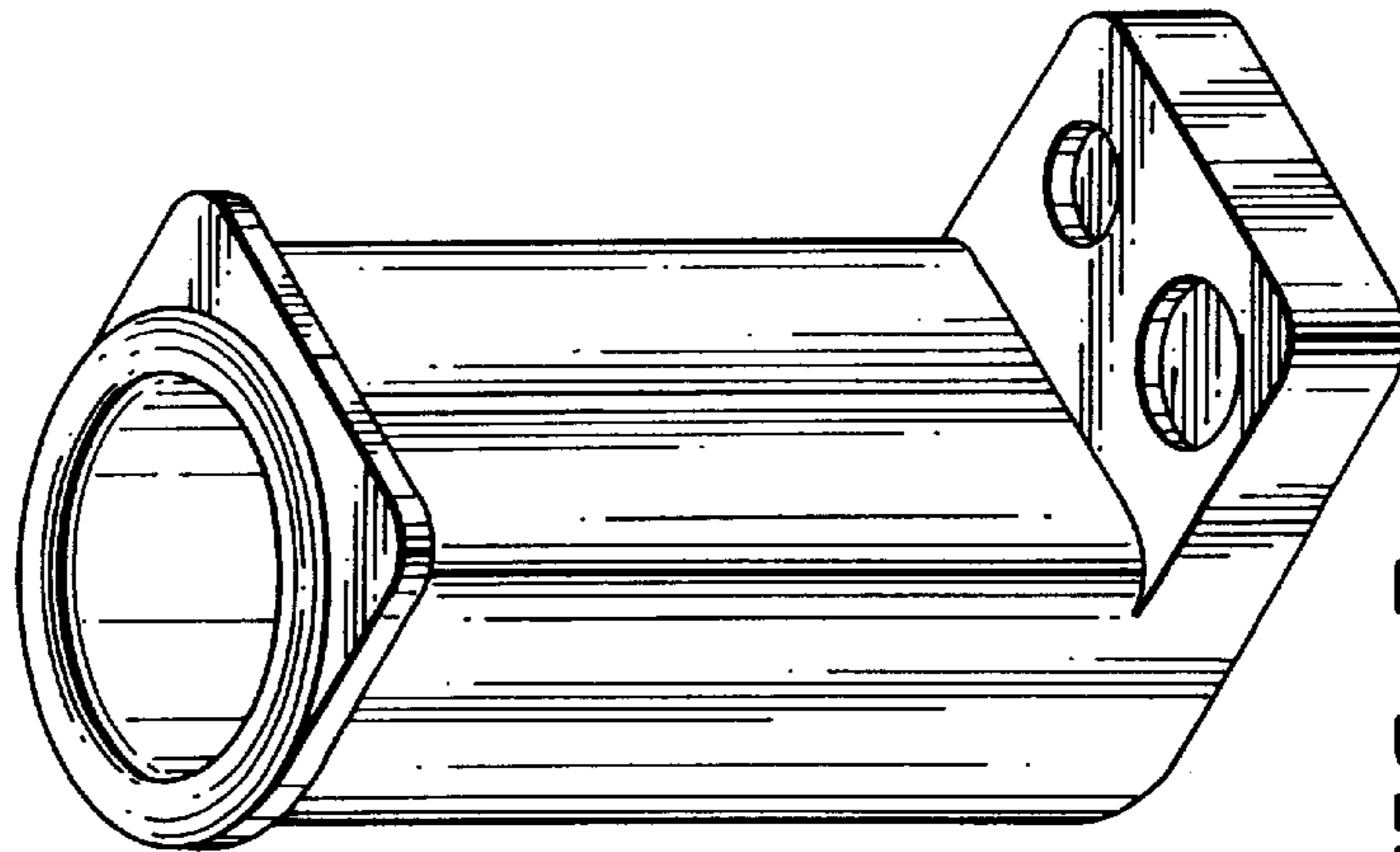


FIG. 7