



US00D433991S

United States Patent [19]

Büchin et al.

[11] Patent Number: **Des. 433,991**

[45] Date of Patent: **** Nov. 21, 2000**

[54] **DESK-TOP CHARGER BASE**

[75] Inventors: **Karl Büchin; Simon Krenke**, both of Berlin, Germany; **Philipp Grabher**, Lustenau, Austria

[73] Assignee: **Home Wireless Networks, Inc.**, Norcross, Ga.

[**] Term: **14 Years**

[21] Appl. No.: **29/112,052**

[22] Filed: **Oct. 7, 1999**

[51] **LOC (7) Cl.** **13-02**

[52] **U.S. Cl.** **D13/108**

[58] **Field of Search** **D13/107, 108; D14/253; 320/110-115**

[56] **References Cited**

U.S. PATENT DOCUMENTS

- D. 231,105 4/1974 Honan .
- D. 297,128 8/1988 Guscott et al. .
- D. 313,221 12/1990 Skully et al. D13/108
- D. 314,746 2/1991 Benjamin et al. .
- D. 324,207 2/1992 Nieves .
- D. 342,250 12/1993 Beaumont et al. .
- D. 369,344 4/1996 Lindeman et al. D13/108
- D. 380,475 7/1997 Rasmussen .
- D. 385,252 10/1997 Snyder et al. D13/108
- D. 396,447 7/1998 Lloyd et al. D13/107
- D. 399,244 10/1998 Coveley D13/107 X

- D. 413,865 9/1999 Laufer et al. .
- D. 417,672 12/1999 Laufer et al. .
- 5,092,785 3/1992 Chen .
- 5,946,637 8/1999 Umbach et al. 320/115 X

FOREIGN PATENT DOCUMENTS

140545 7/1997 Spain .

Primary Examiner—Joel Sincavage
Attorney, Agent, or Firm—James L. Ewing, IV; Kilpatrick Stockton LLP

[57] **CLAIM**

The ornamental design for desk-top charger base, as shown and described.

DESCRIPTION

FIG. 1 is a perspective view of desk-top charger base showing the top, front and right side, shown with a phantom line phone;

FIG. 2 is a front plan view of our new design;

FIG. 3 is a right side elevation view, the left side being a mirror image of the right side;

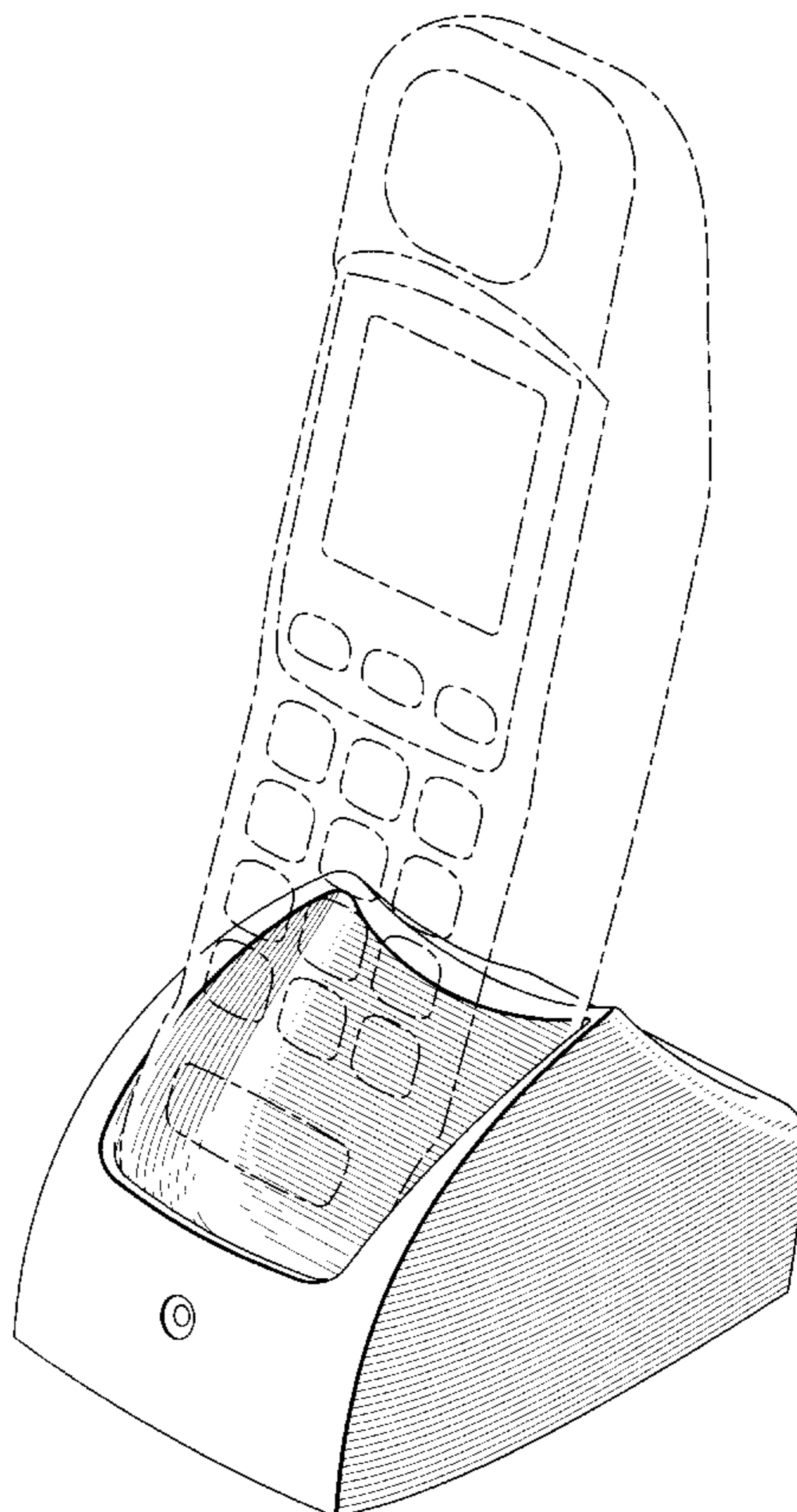
FIG. 4 is a bottom plan view of our new design;

FIG. 5 is a top plan view of our new design;

FIG. 6 is a section taken along cut-line 6—6 in FIG. 5; and, FIG. 7 is a rear elevation view.

The phantom line showing throughout the drawing figures is included for the purpose of illustrating environmental structure only and forms no part of the claimed design.

1 Claim, 3 Drawing Sheets



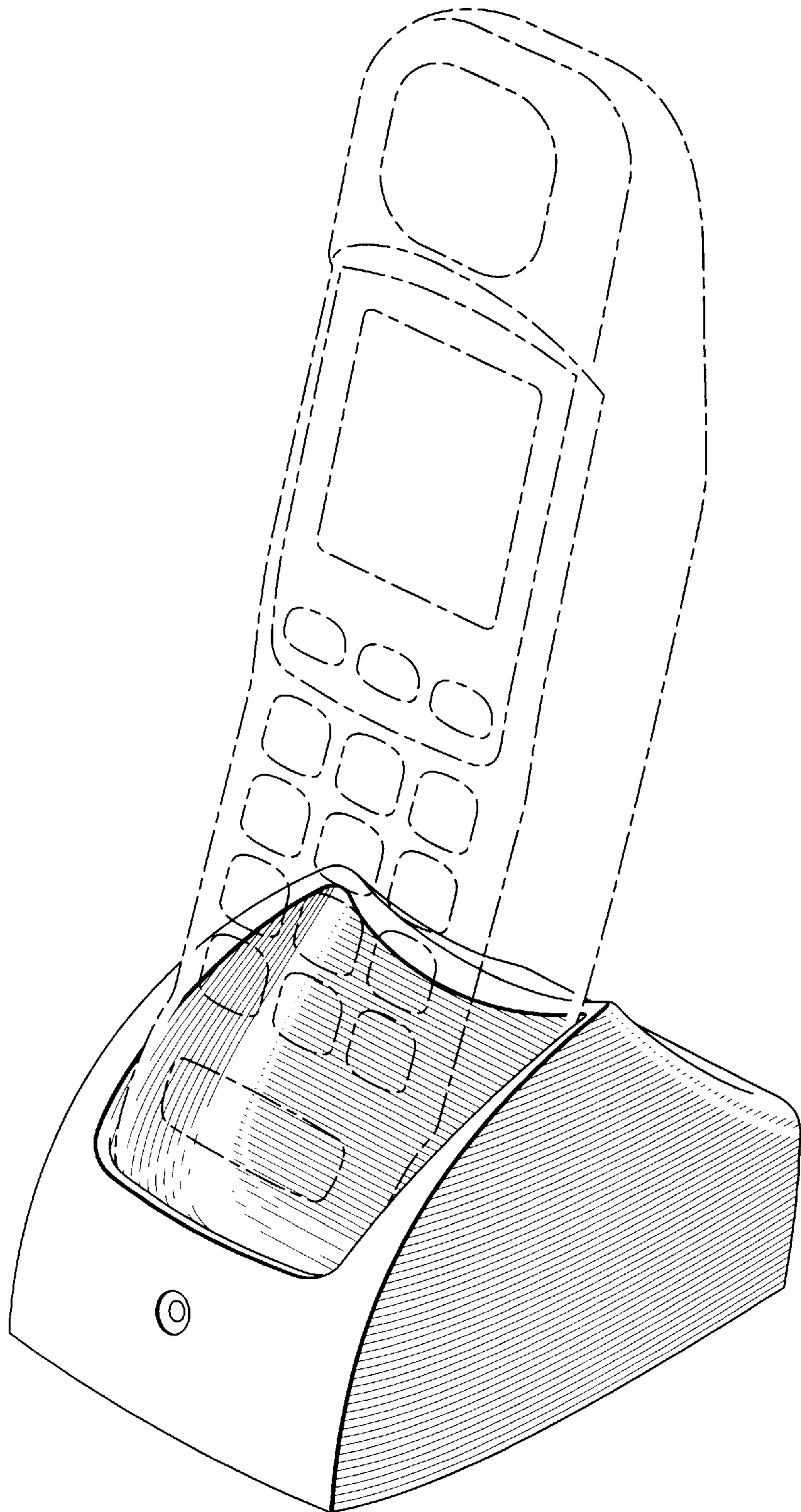


FIG 1

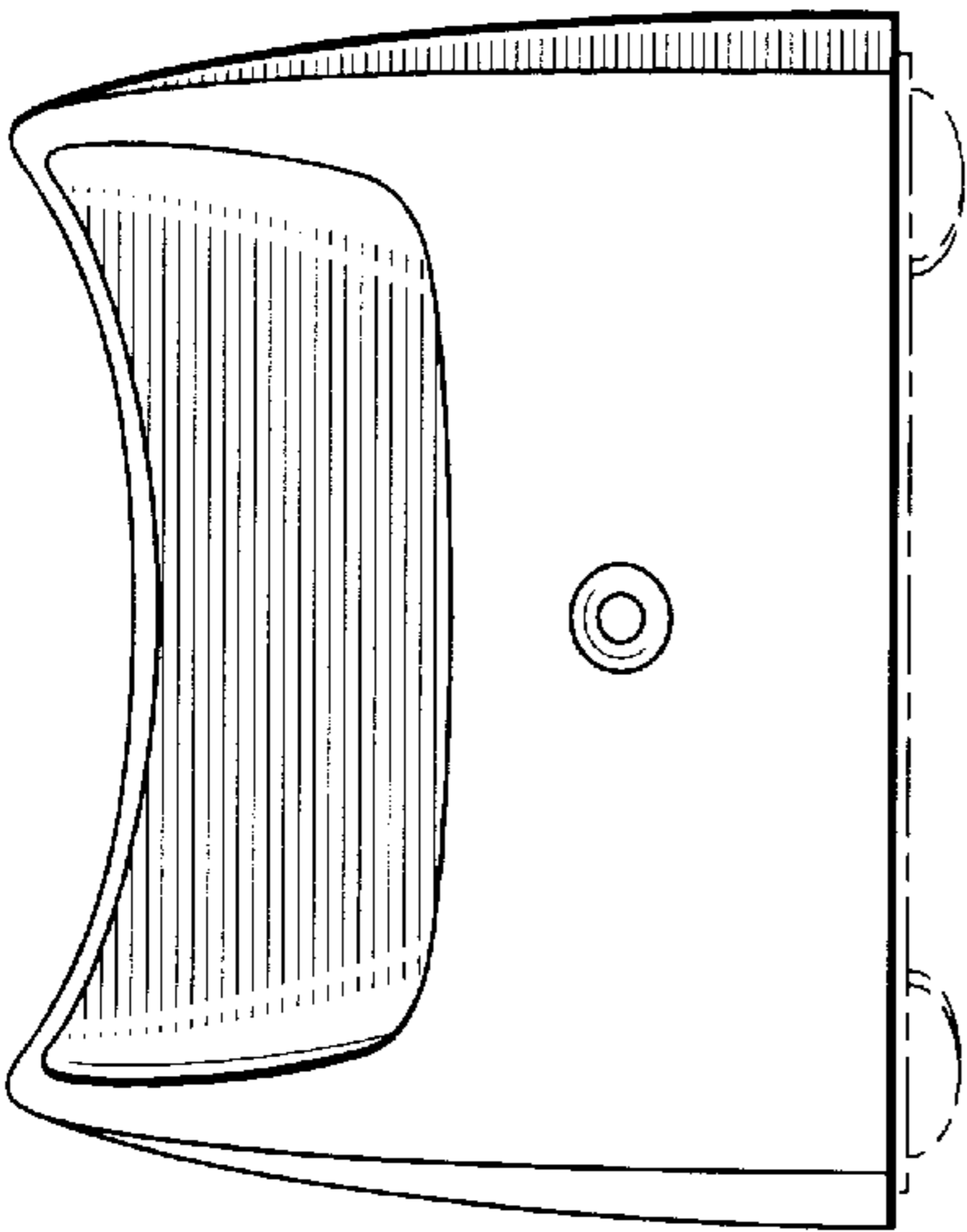


FIG 2

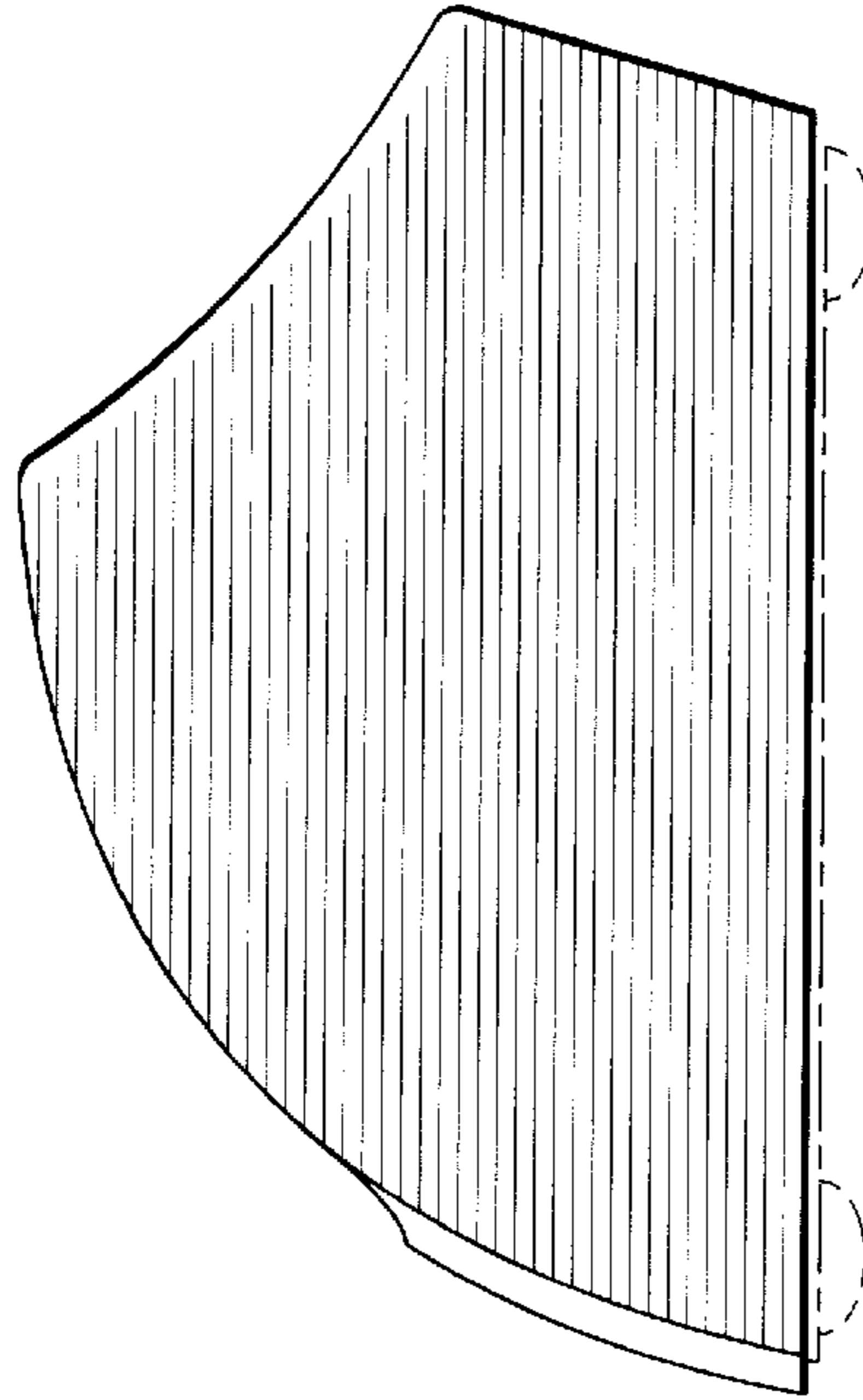


FIG 3

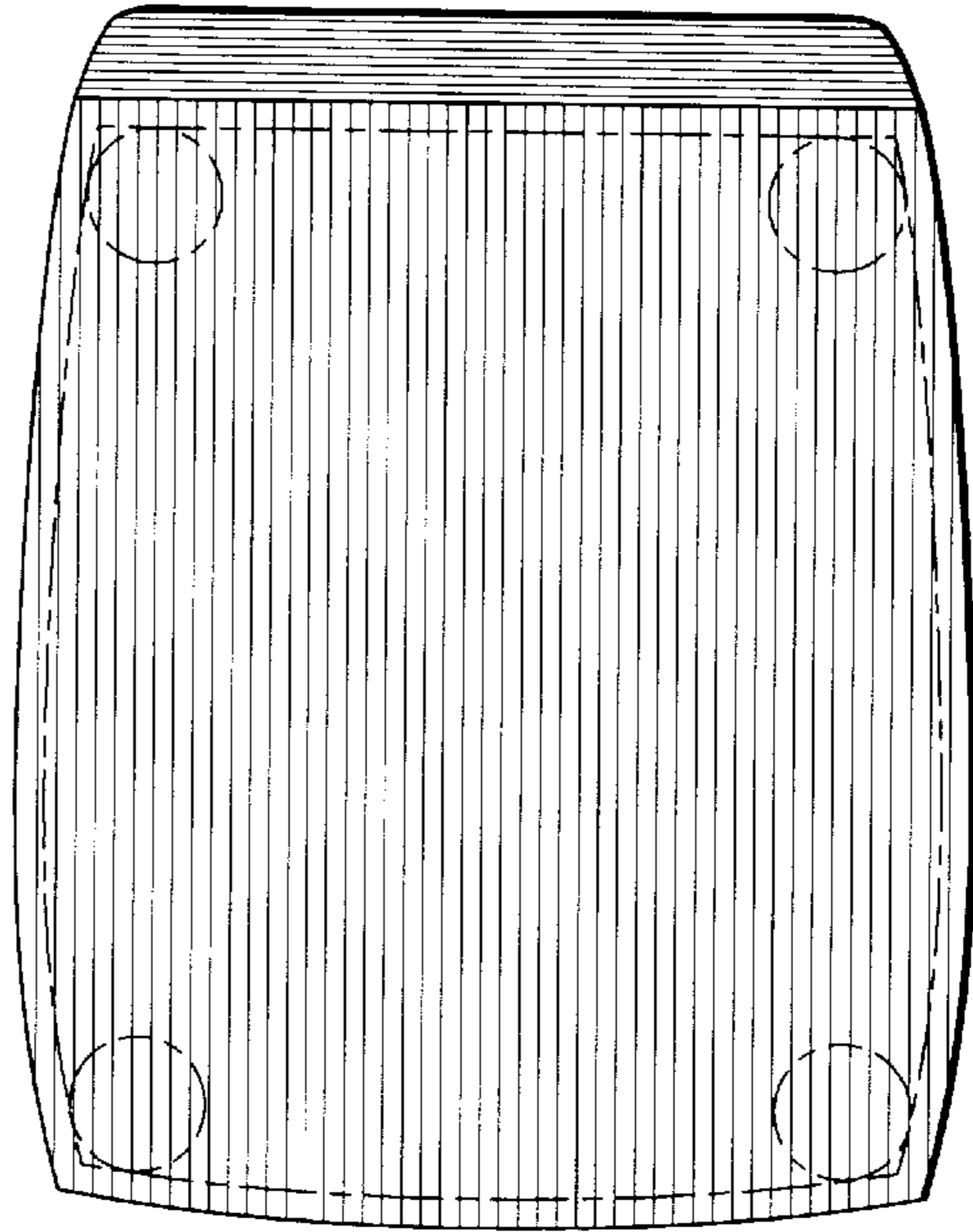


FIG 4

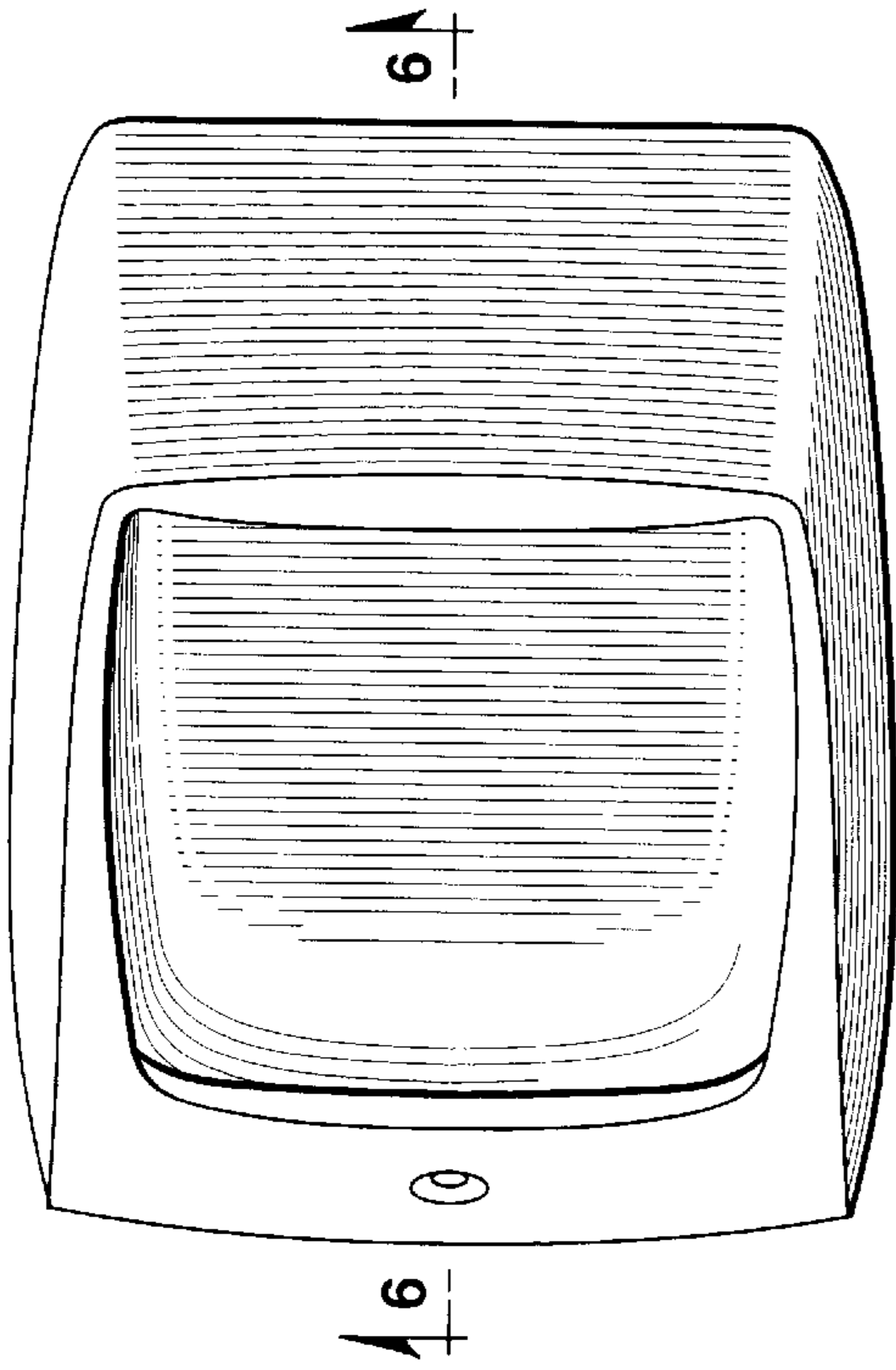


FIG 5

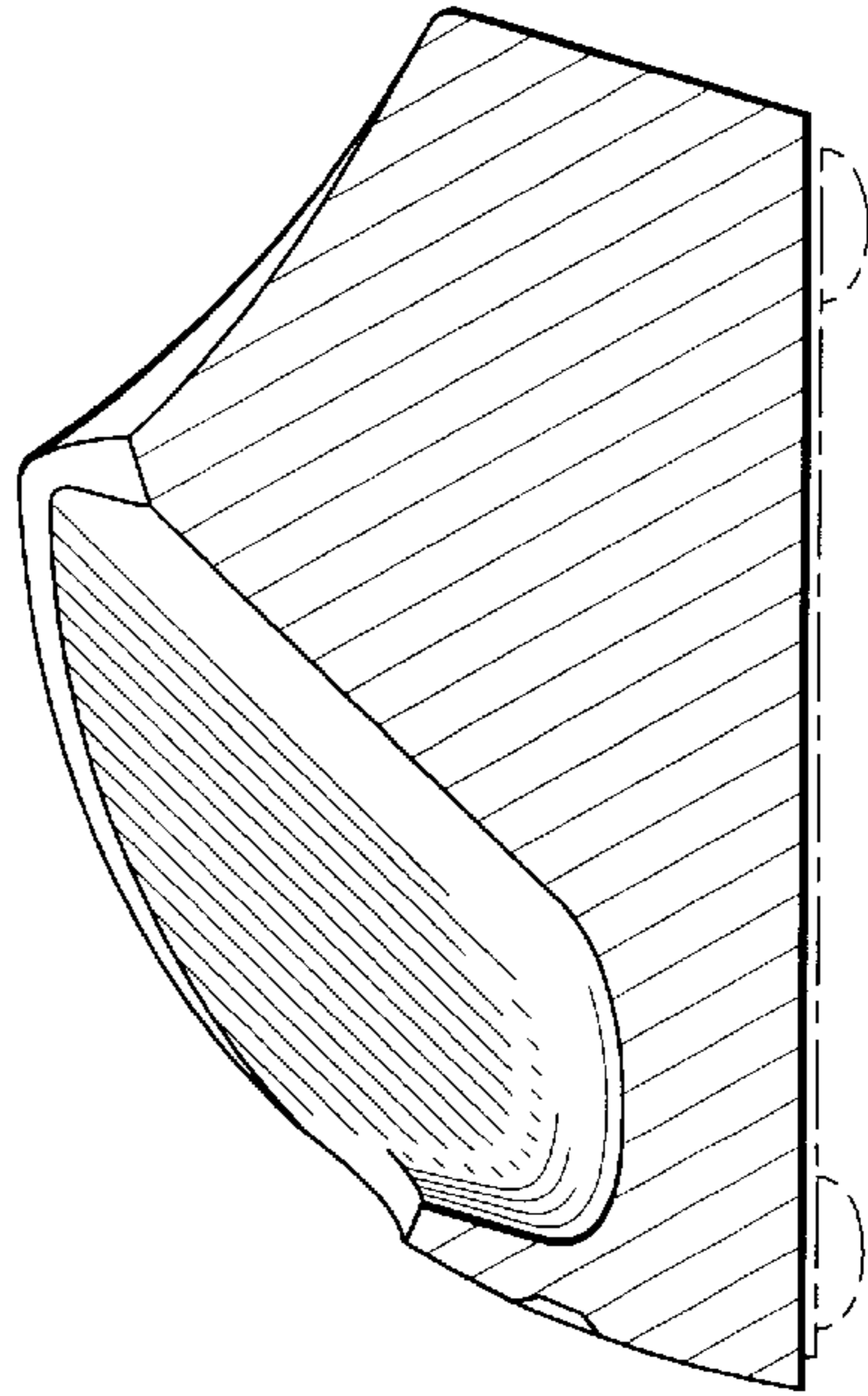


FIG 6

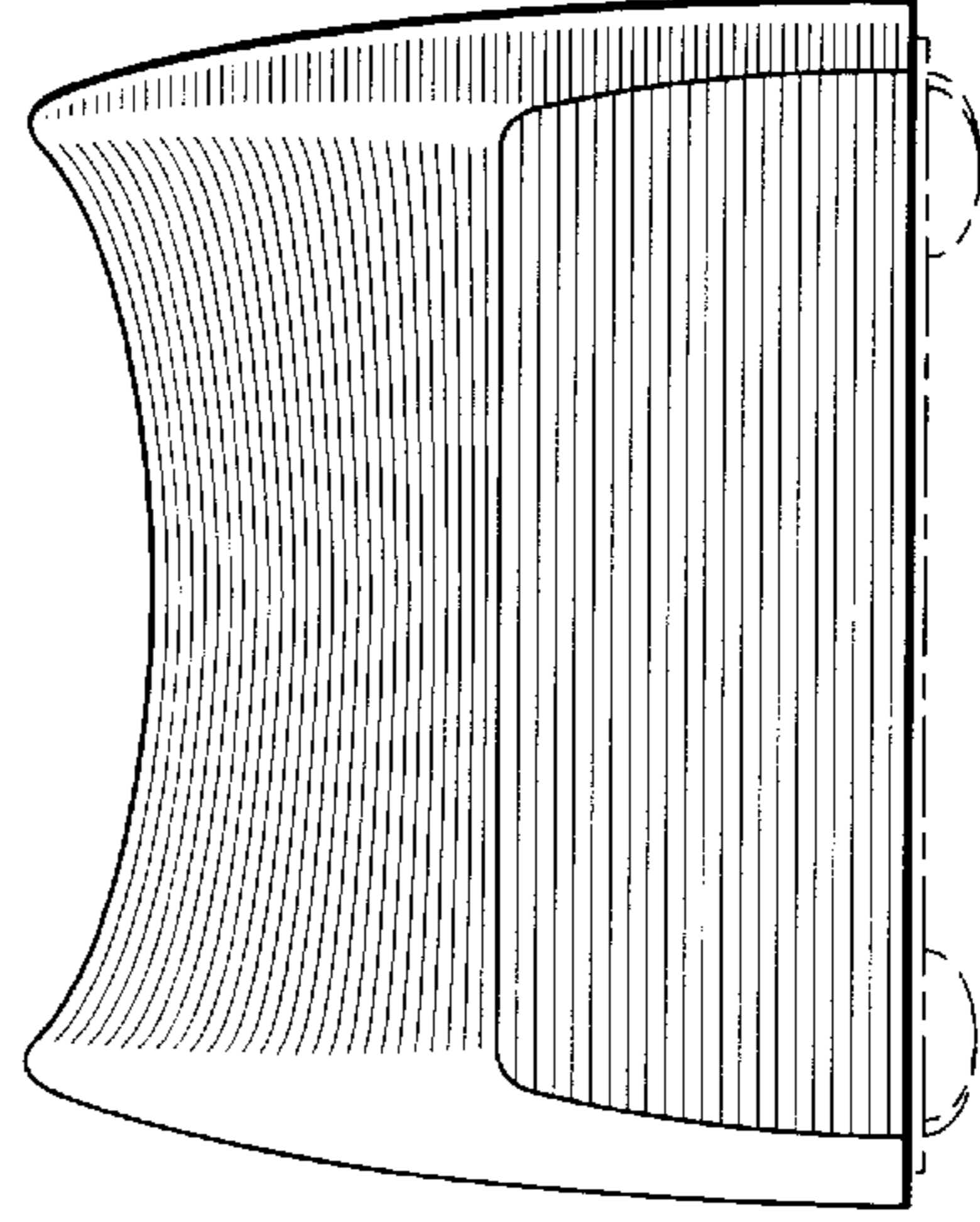


FIG 7