



US00D433989S

United States Patent [19] Shimmell, Sr.

[11] Patent Number: **Des. 433,989**

[45] Date of Patent: **** Nov. 21, 2000**

[54] **MARINE UTILITY RACK**

[76] Inventor: **Dennis S. Shimmell, Sr.**, 3383 Harrison St., Hudsonville, Mich. 49426

[**] Term: **14 Years**

[21] Appl. No.: **29/110,035**

[22] Filed: **Aug. 27, 1999**

[51] **LOC (7) Cl.** **12-16**

[52] **U.S. Cl.** **D12/408**

[58] **Field of Search** D12/406, 317, D12/407, 408, 414, 414.1; 211/17-22, 5; 280/293; 248/682, 302, 303; D6/462-468, 566; 224/406, 405

[56] **References Cited**

U.S. PATENT DOCUMENTS

D. 328,585	8/1992	La Casse	D12/158
D. 346,995	5/1994	Thulin	D12/408
4,555,029	11/1985	Fiol	211/22
5,516,020	5/1996	Lawler et al.	211/19 X

Primary Examiner—Alan P. Douglas

Assistant Examiner—Linda Brooks

Attorney, Agent, or Firm—Warner Norcross & Judd

[57] **CLAIM**

The ornamental design for a marine utility rack, as shown and described.

DESCRIPTION

FIG. 1 is a perspective view of the marine utility rack embodying the new design;

FIG. 2 is a top plan view thereof;

FIG. 3 is a bottom plan view thereof;

FIG. 4 is a left elevational view thereof, the right elevational view being the mirror image thereof;

FIG. 5 is a front elevational view thereof;

FIG. 6 is a rear elevational view thereof;

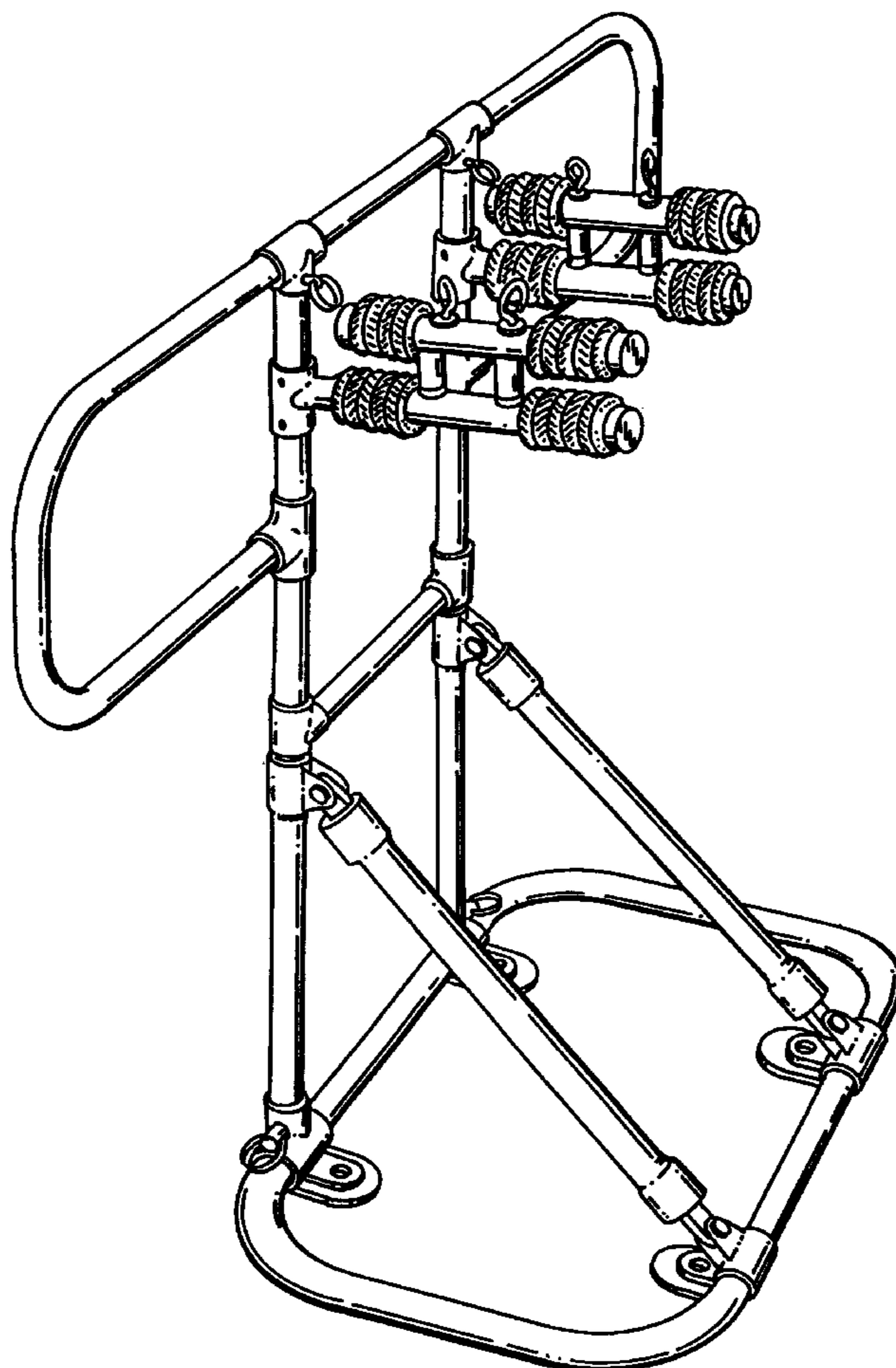
FIG. 7 is a perspective view thereof showing the bicycle support arms of the marine utility rack in the storage position;

FIG. 8 is a perspective view thereof showing the bicycle support arms in the lowered position; and,

FIG. 9 is a perspective view thereof showing the bicycle support arms in the raised position.

FIGS. 8 and 9 each show the outline of a bicycle in broken lines. The bicycles are shown for environmental purposes only and form no part of the claimed design.

1 Claim, 8 Drawing Sheets



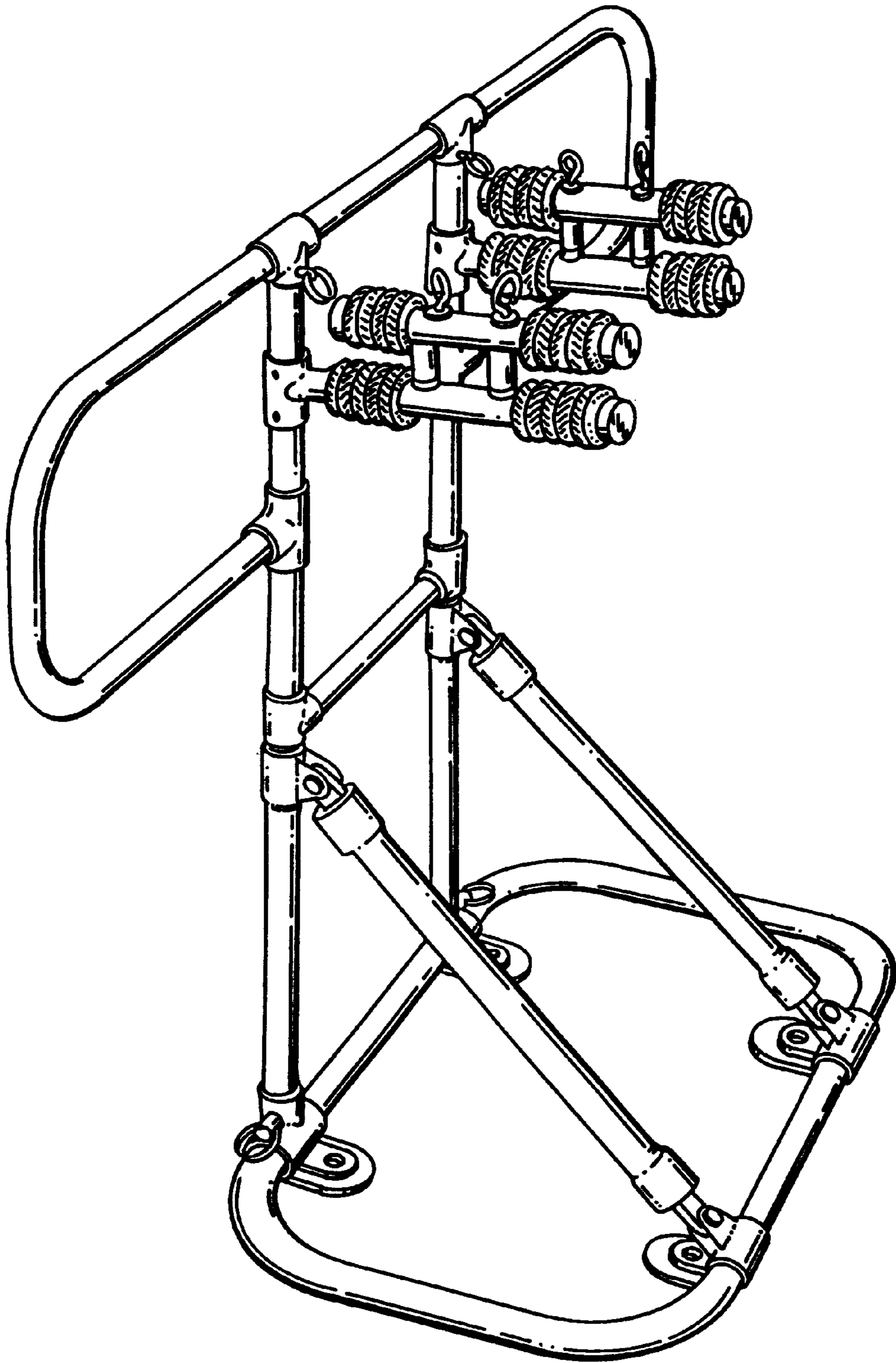


Fig. 1

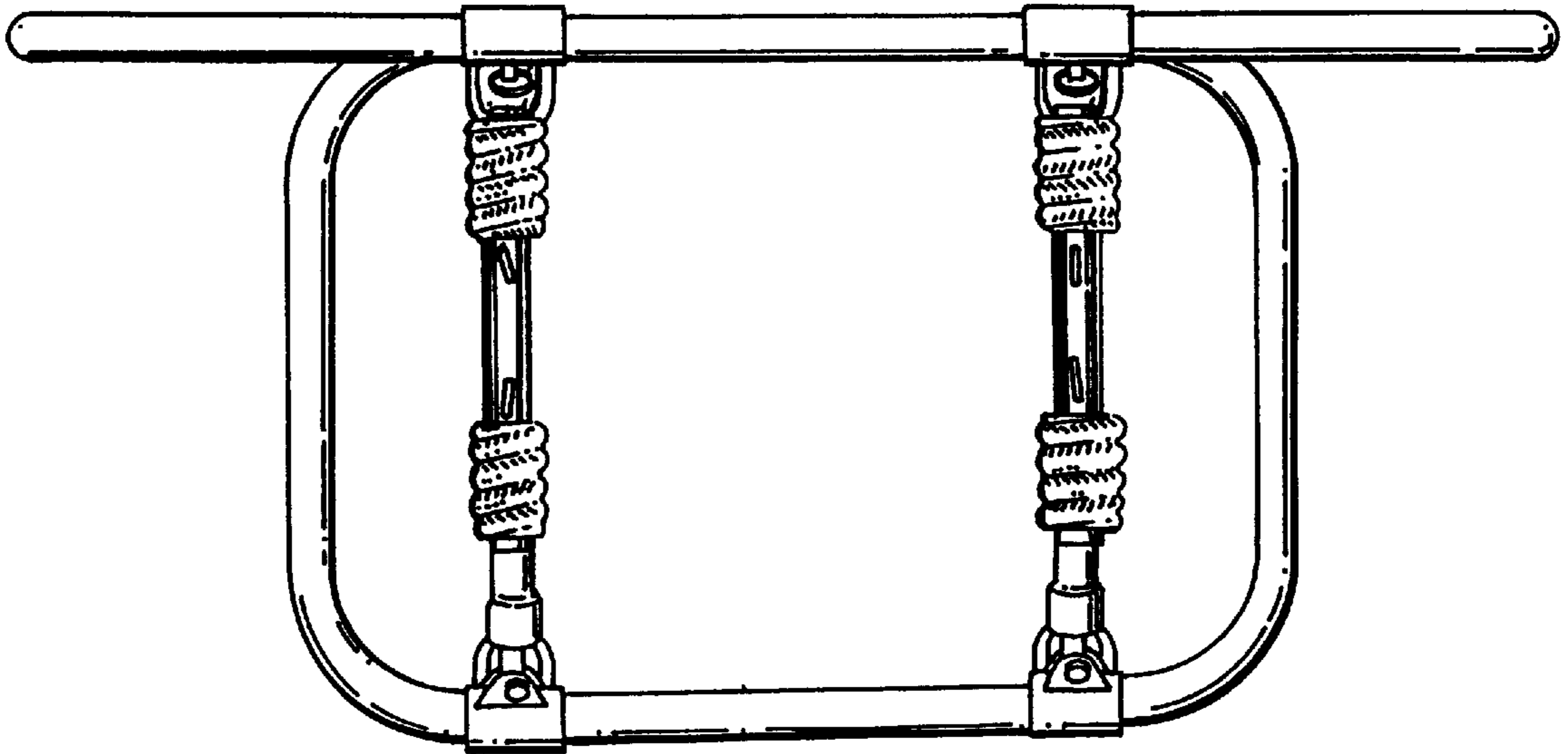


Fig. 2

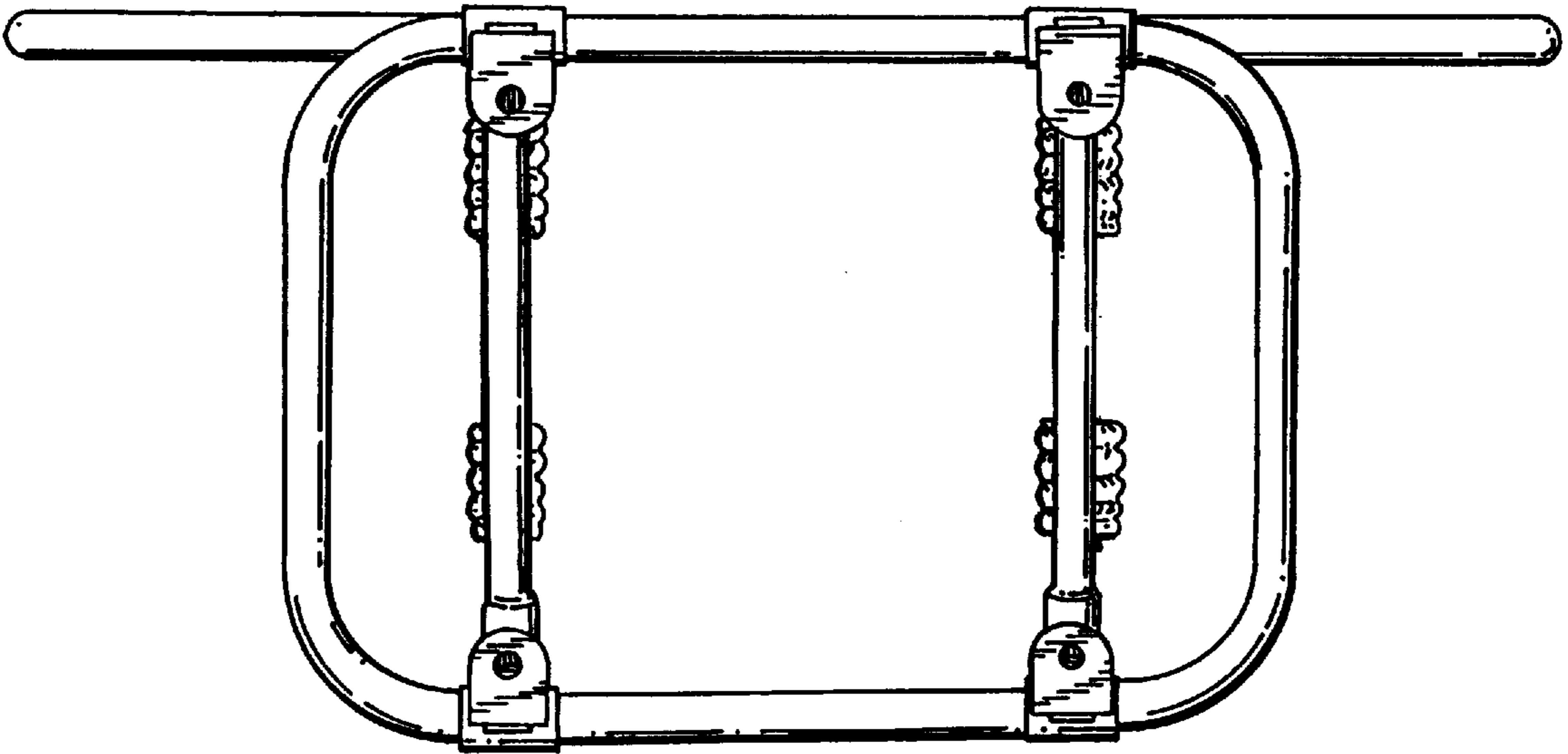


Fig. 3

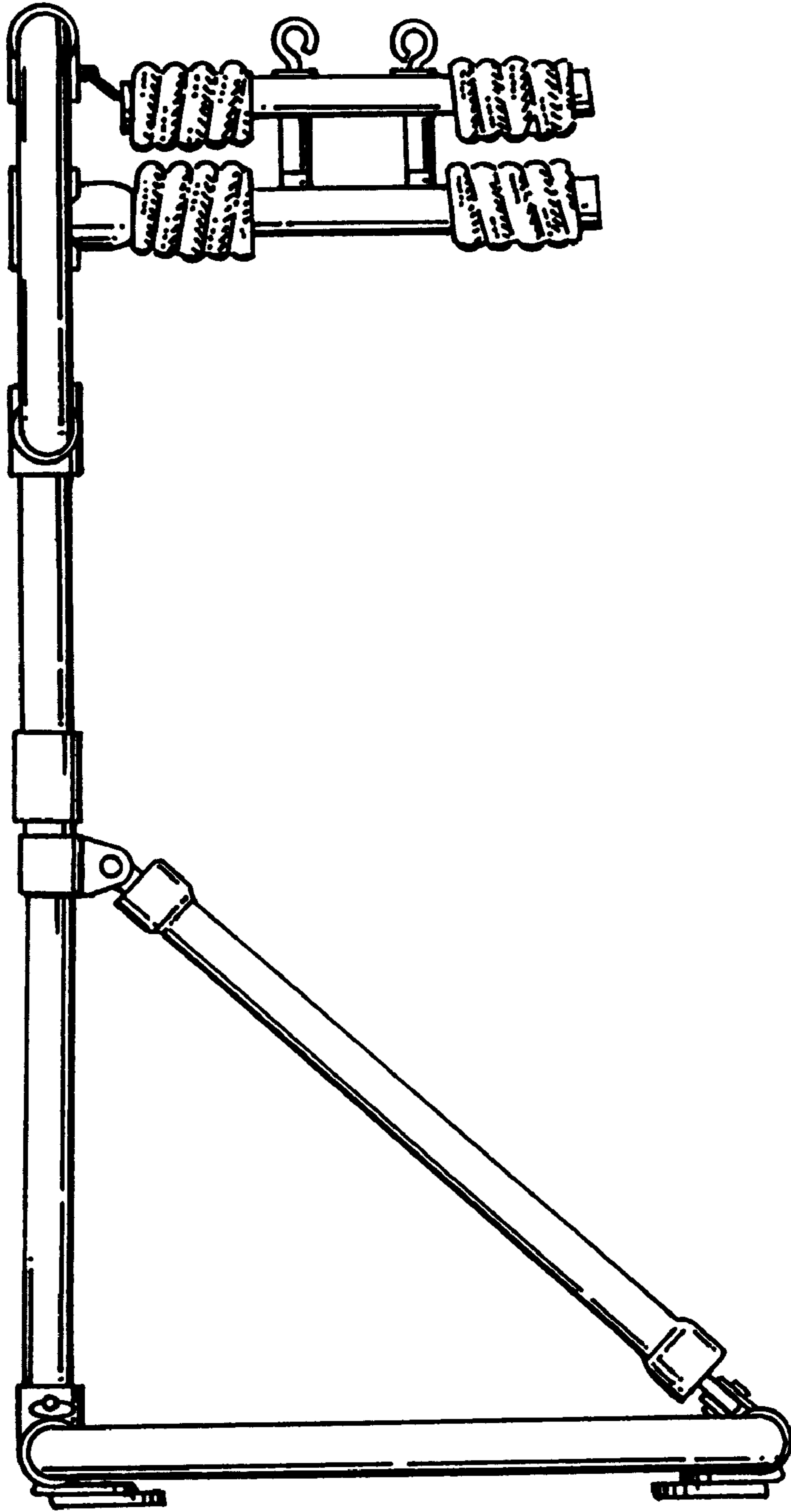


Fig. 4

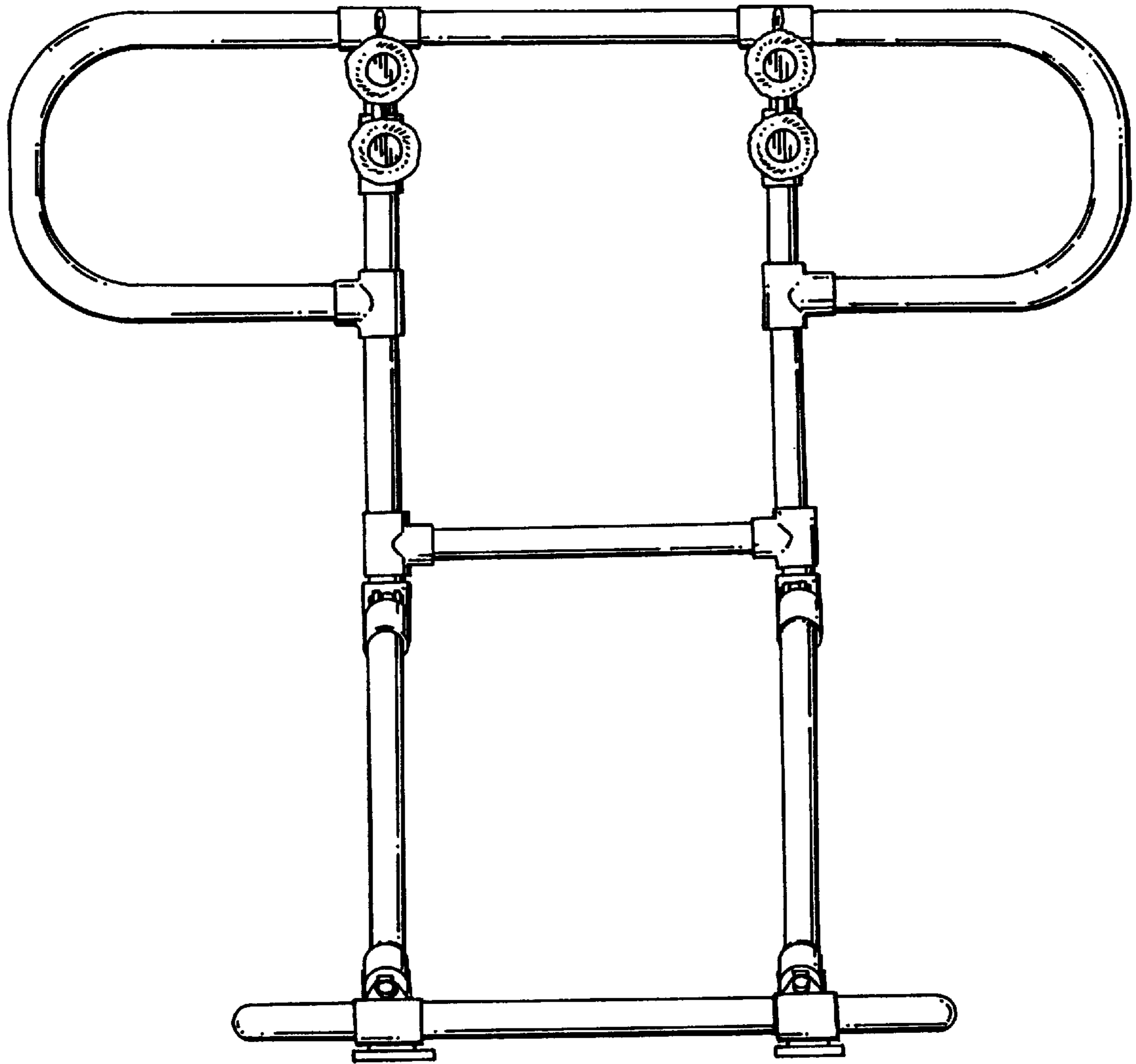


Fig. 5

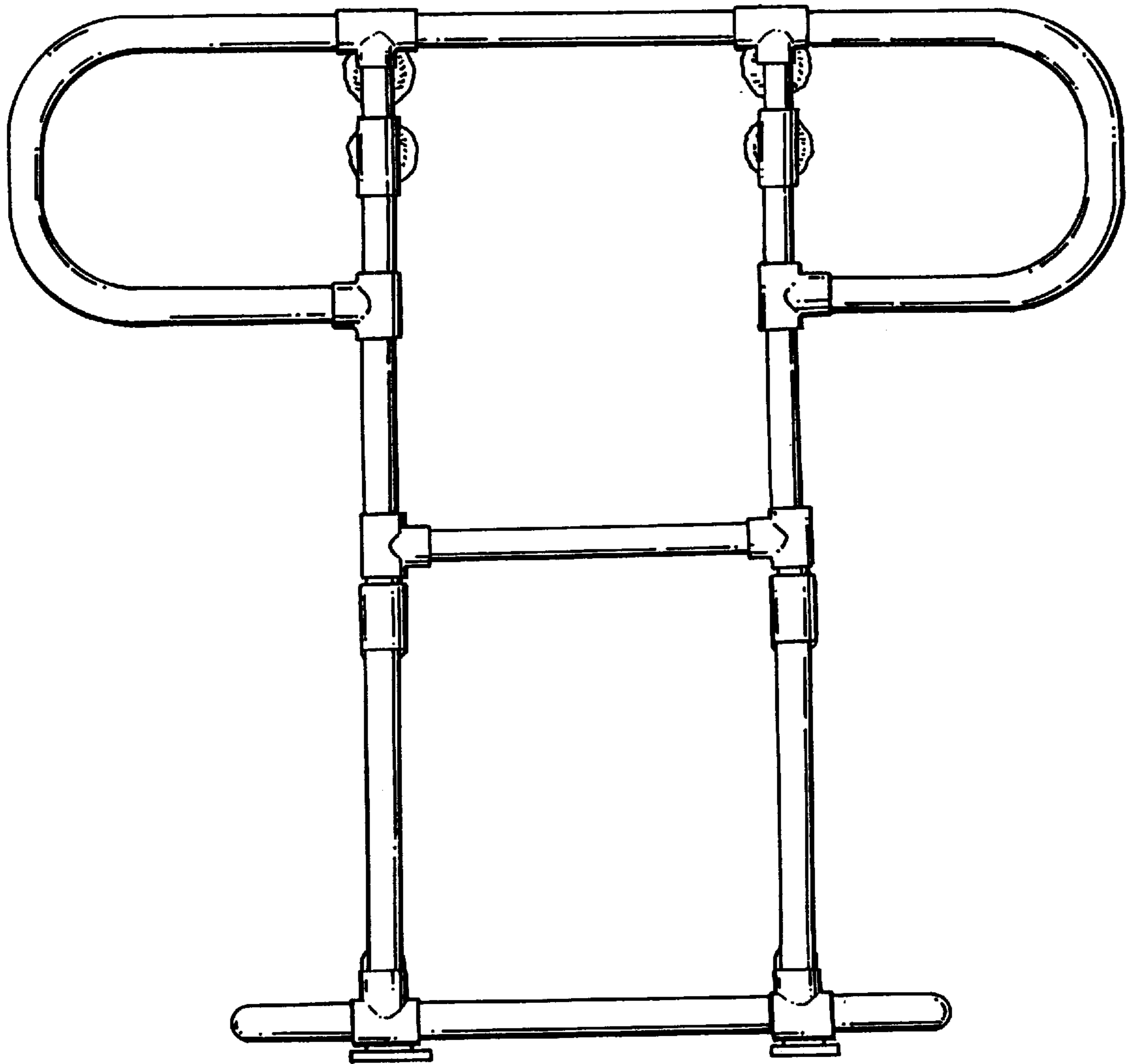


Fig. 6

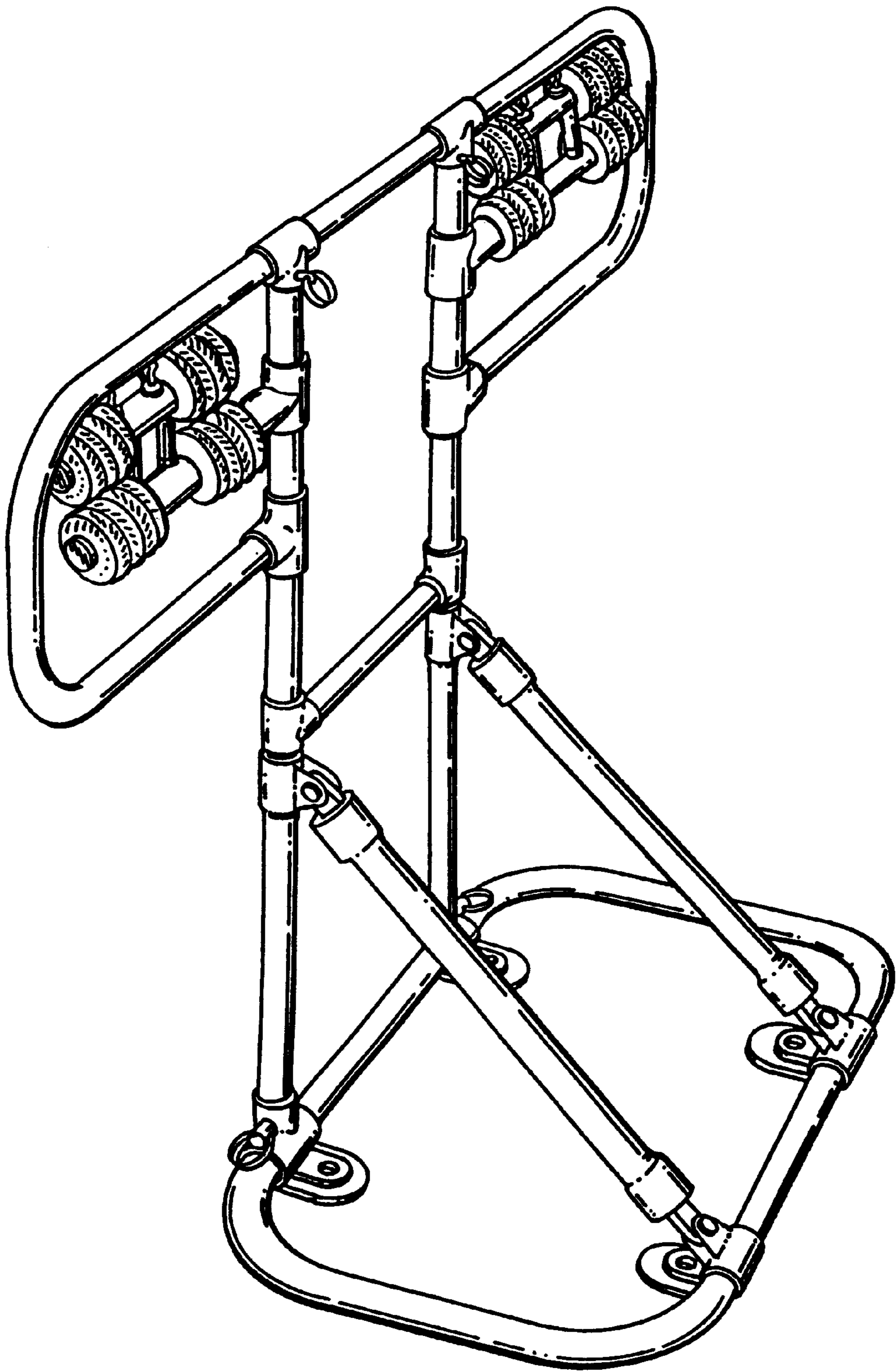


Fig. 7

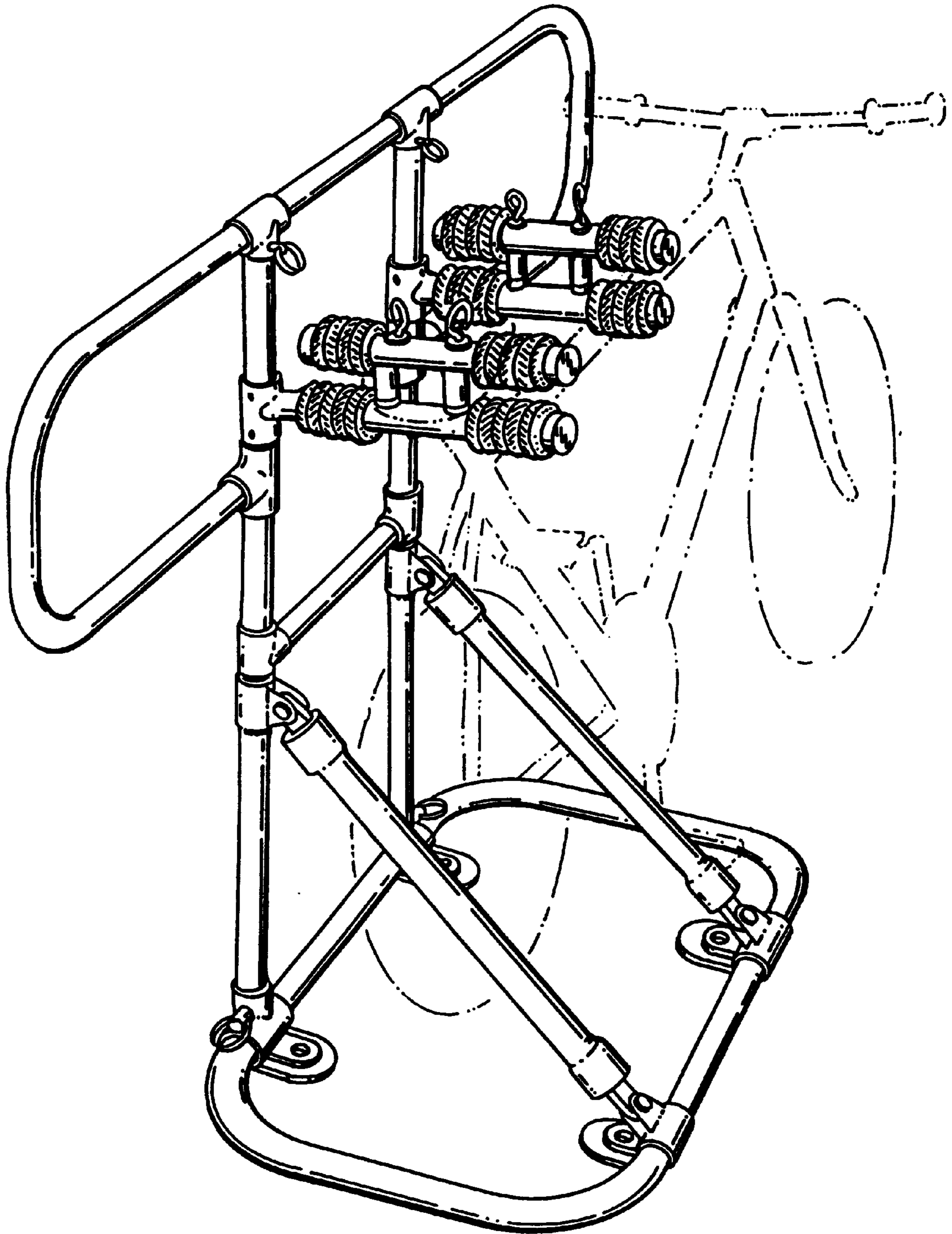


Fig. 8

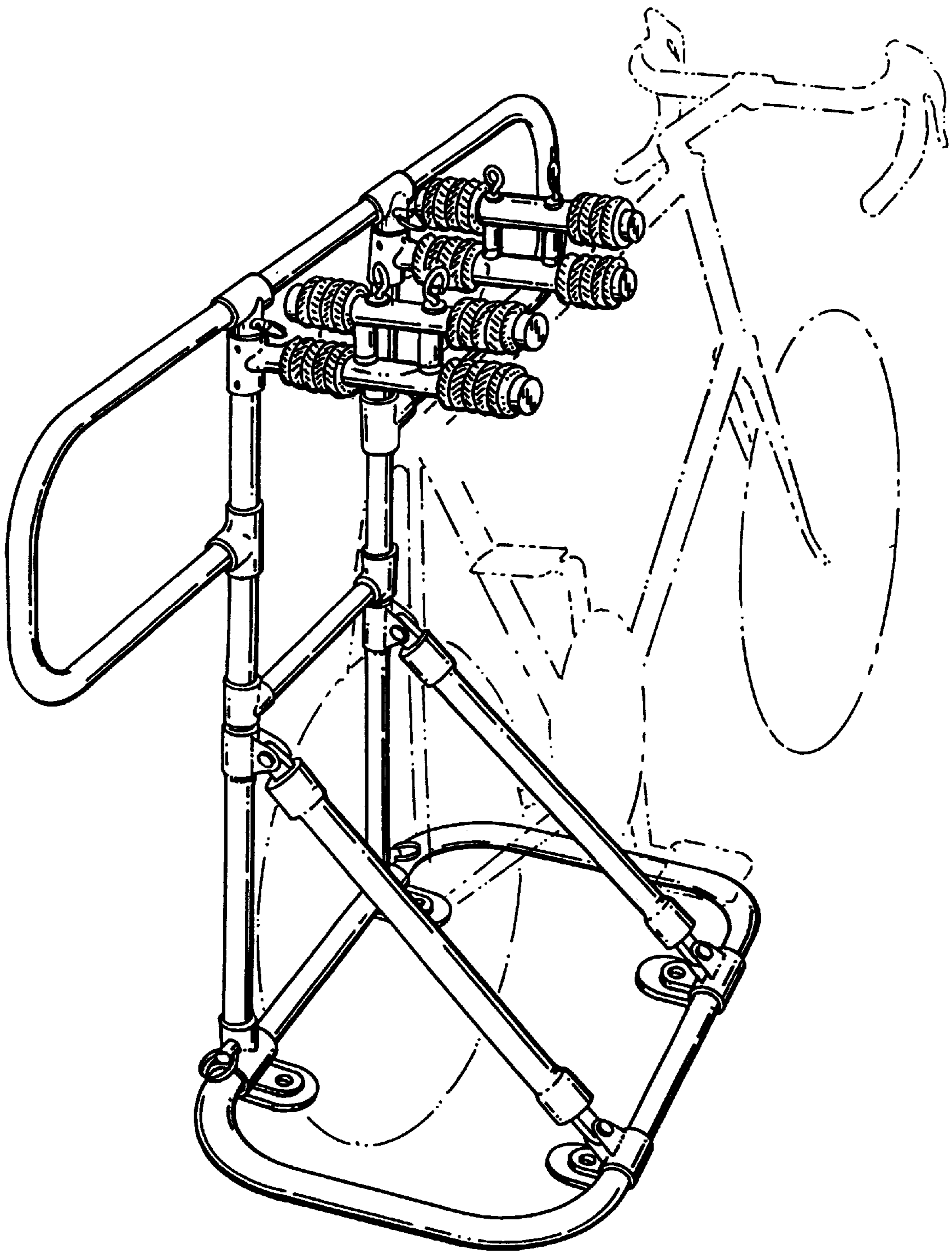


Fig. 9