



US00D433988S

United States Patent [19] Beebe

[11] **Patent Number: Des. 433,988**

[45] **Date of Patent: ** Nov. 21, 2000**

[54] **SPORT UTILITY AUXILIARY BAGGAGE CARRIER**

4,957,228 9/1990 Balka 224/401 X
5,314,101 5/1994 White 224/401
5,738,262 4/1998 Andrini 224/572

[75] Inventor: **Gary W. Beebe**, Flint, Mich.

Primary Examiner—Stacia Cadmus
Attorney, Agent, or Firm—Brooks & Kushman P.C.

[73] Assignee: **XS Baggage**, Flint, Mich.

[**] Term: **14 Years**

[57] **CLAIM**

[21] Appl. No.: **29/109,250**

The ornamental design for a sport utility auxiliary baggage carrier, as shown and described.

[22] Filed: **Aug. 12, 1999**

DESCRIPTION

[51] **LOC (7) Cl.** **12-16**

[52] **U.S. Cl.** **D12/406**

[58] **Field of Search** D12/406-410,
D12/412-414; 224/328, 323, 572, 527,
488-498, 522-526, 463, 400-401, 585;
296/37.1, 37.6; D3/254, 313, 201, 215-218

FIG. 1 is a perspective view of a sport utility auxiliary baggage carrier, showing my new design;
FIG. 2 is a perspective view of the sport utility auxiliary baggage carrier, shown in a folded position;
FIG. 3 is a rear elevational view of the sport utility auxiliary baggage carrier of FIG. 1;
FIG. 4 is a top plan view of the sport utility auxiliary baggage carrier of FIG. 1;
FIG. 5 is a side elevational view of the sport utility auxiliary baggage carrier of FIG. 1; and,
FIG. 6 is a front elevational view of the sport utility auxiliary baggage carrier of FIG. 1.

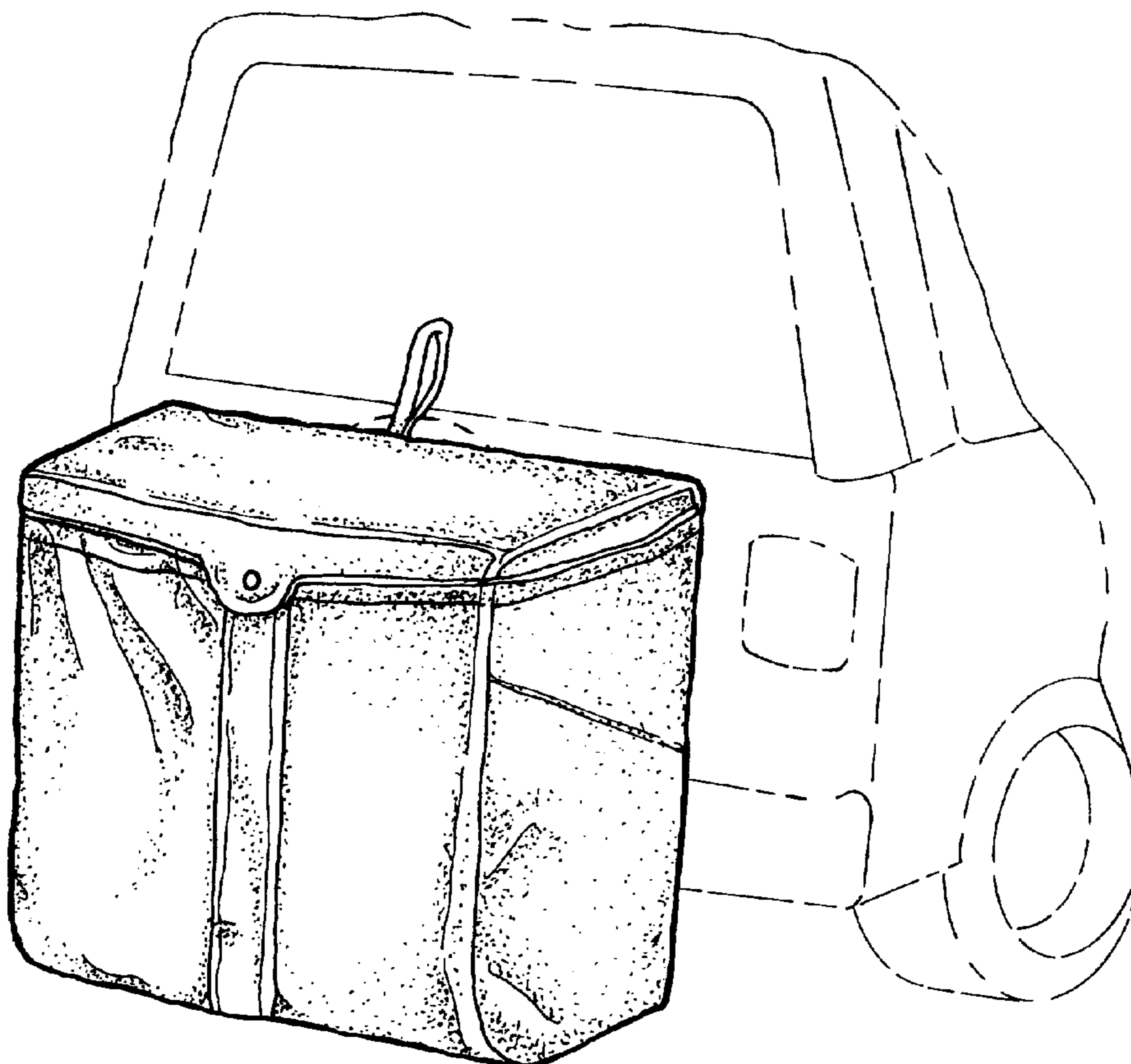
[56] **References Cited**

U.S. PATENT DOCUMENTS

D. 360,182	7/1995	Lovett	D12/409
D. 361,548	8/1995	Bascom	D12/407
D. 410,224	5/1999	Landy	D12/413
3,228,576	1/1966	Gaukel	224/572 X
3,333,751	8/1967	Brown	224/401
3,968,913	7/1976	Weed et al.	224/585
4,050,614	9/1977	Simpson	224/401 X
4,907,728	3/1990	Giblet	224/585

The broken line showing a fragmentary view of a sport utility vehicle is for illustrative purposes only and forms no part of the claimed design.

1 Claim, 3 Drawing Sheets



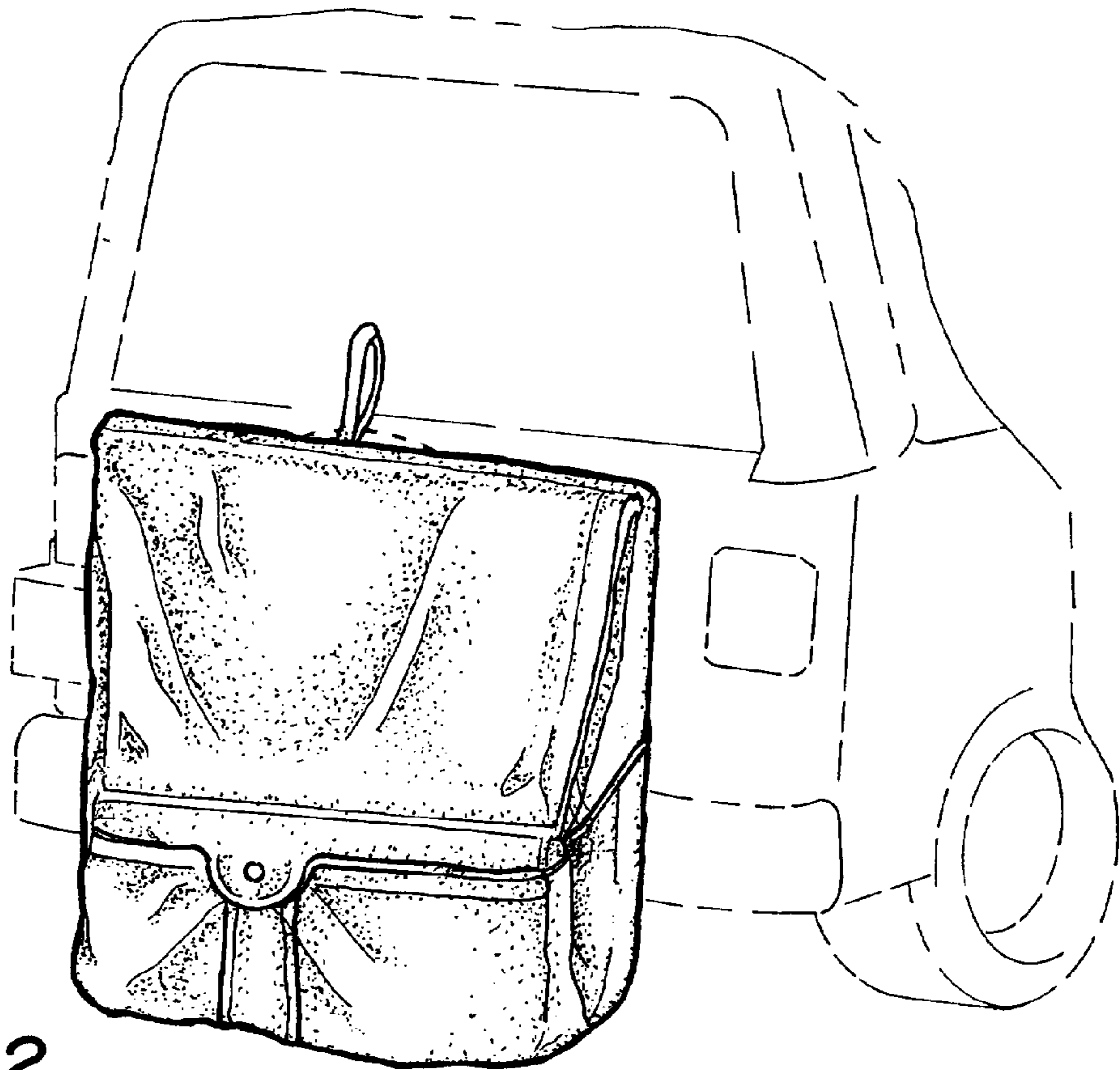


Fig-2

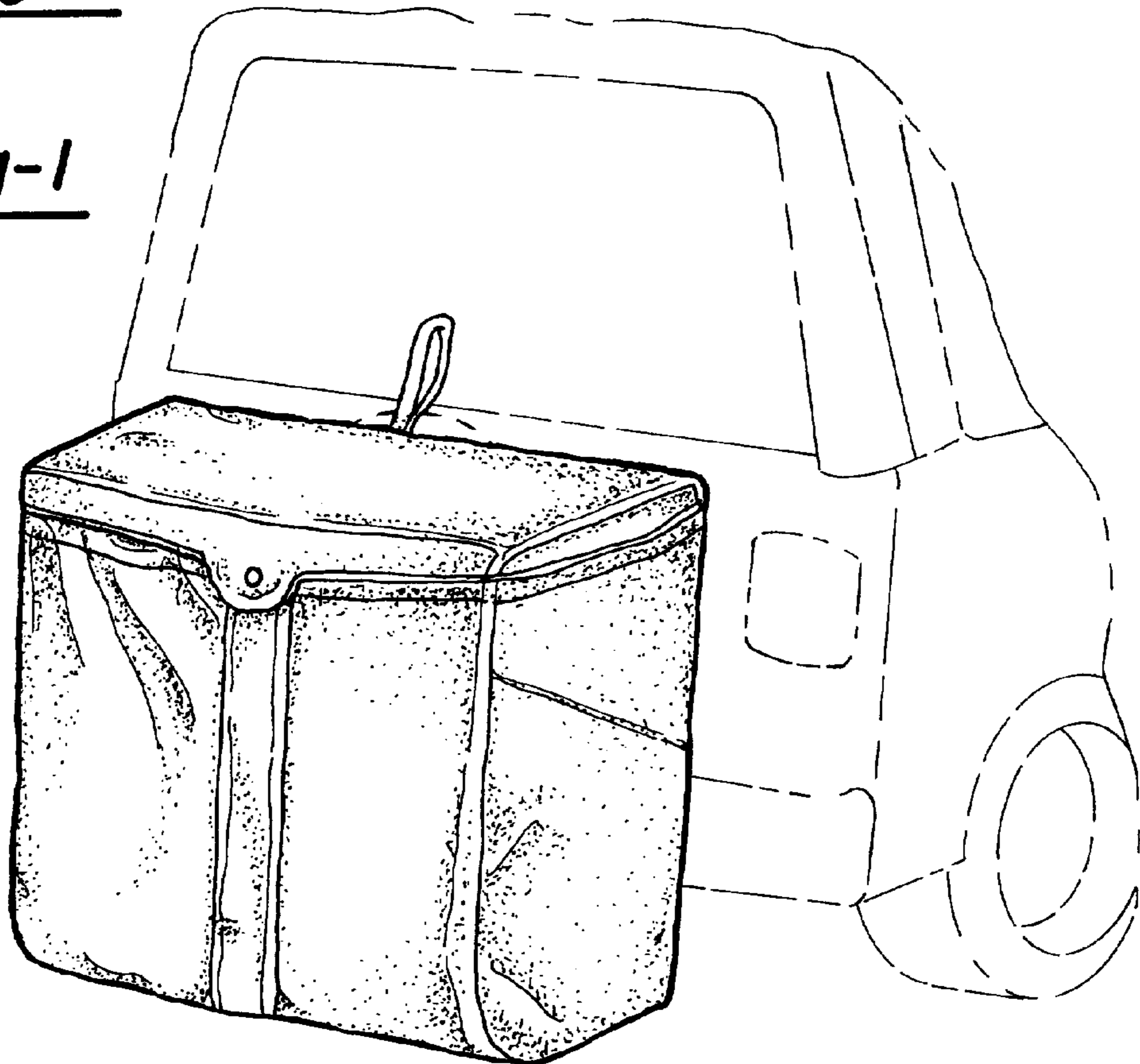


Fig-1

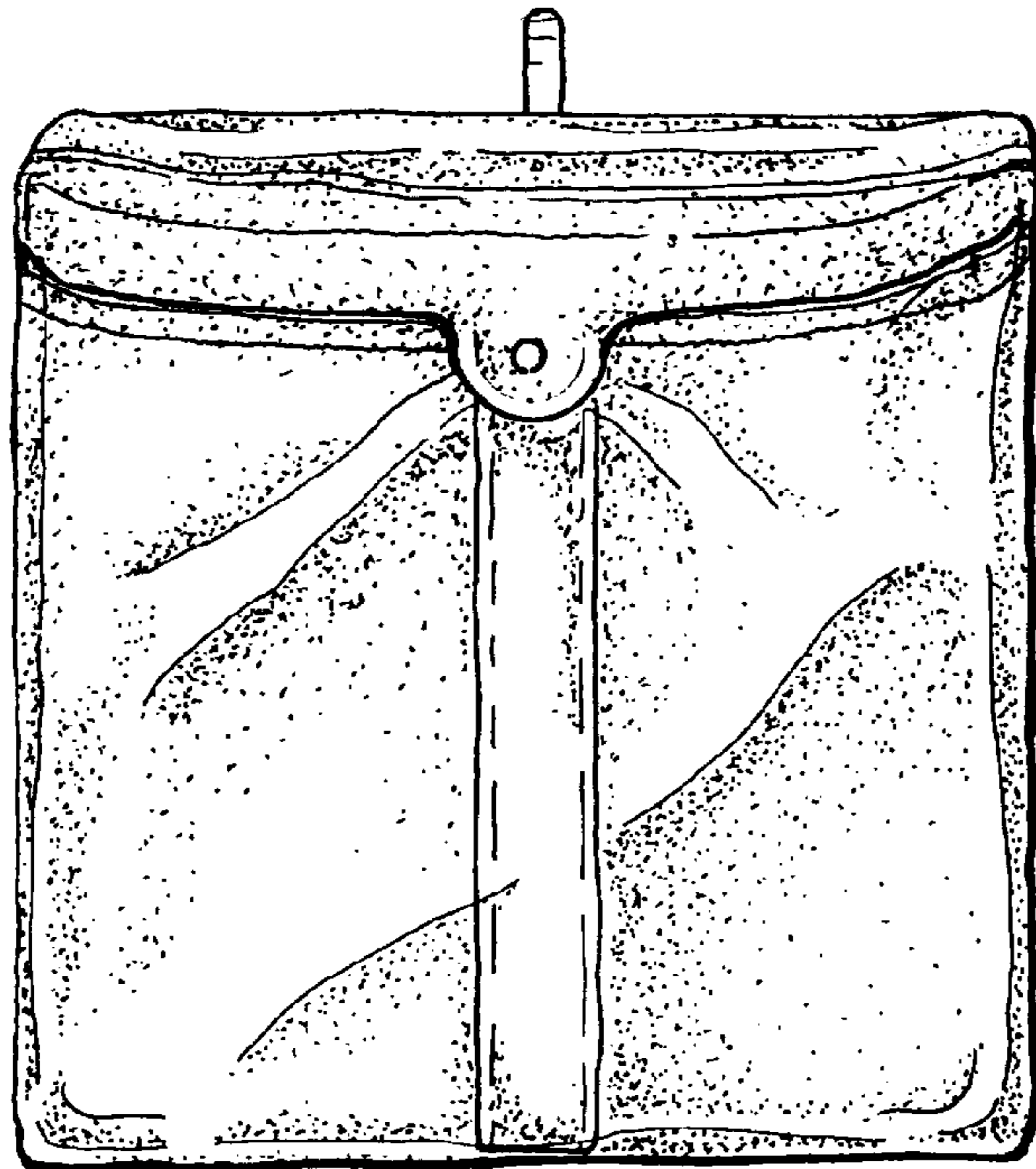


Fig-3

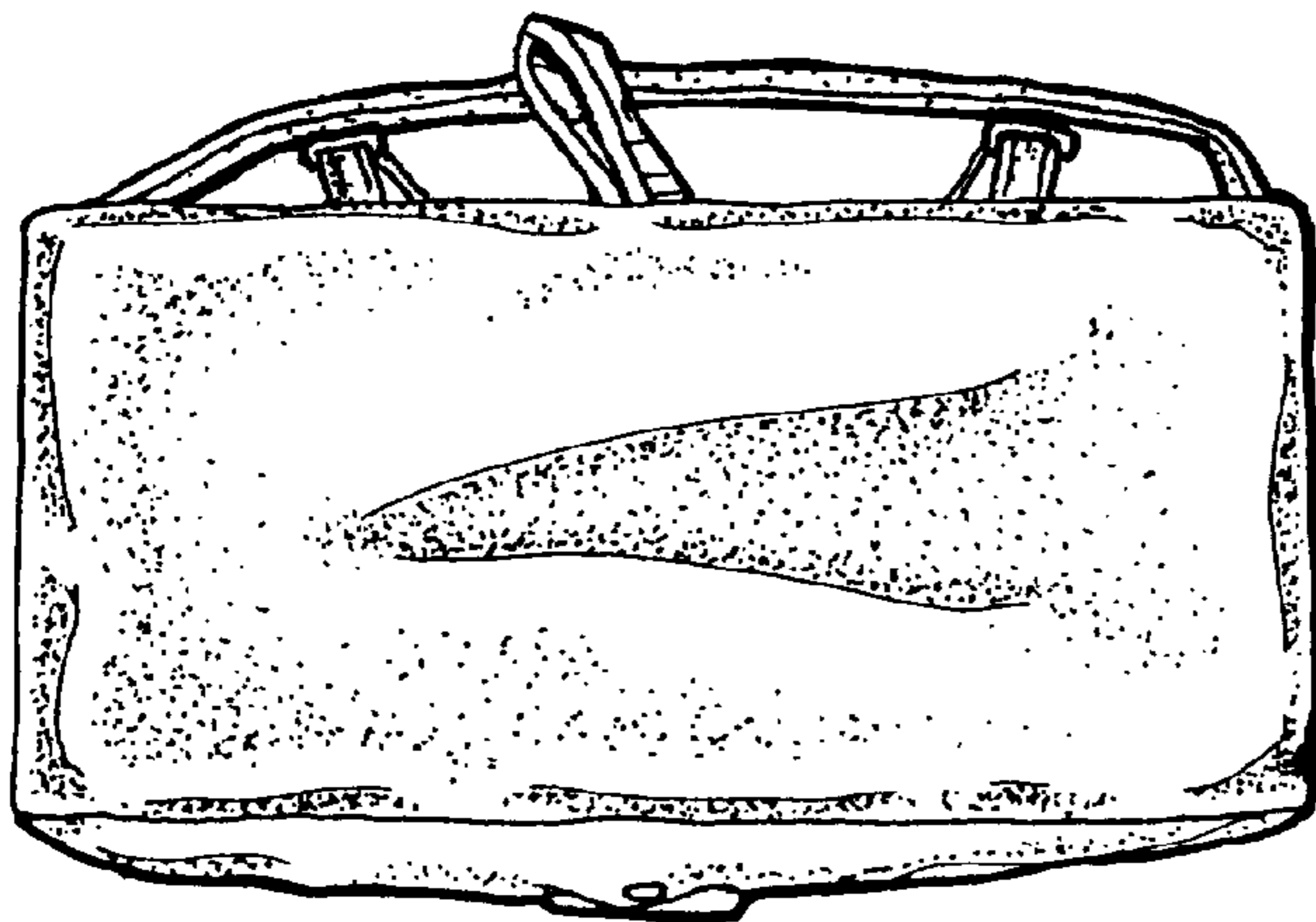


Fig-4

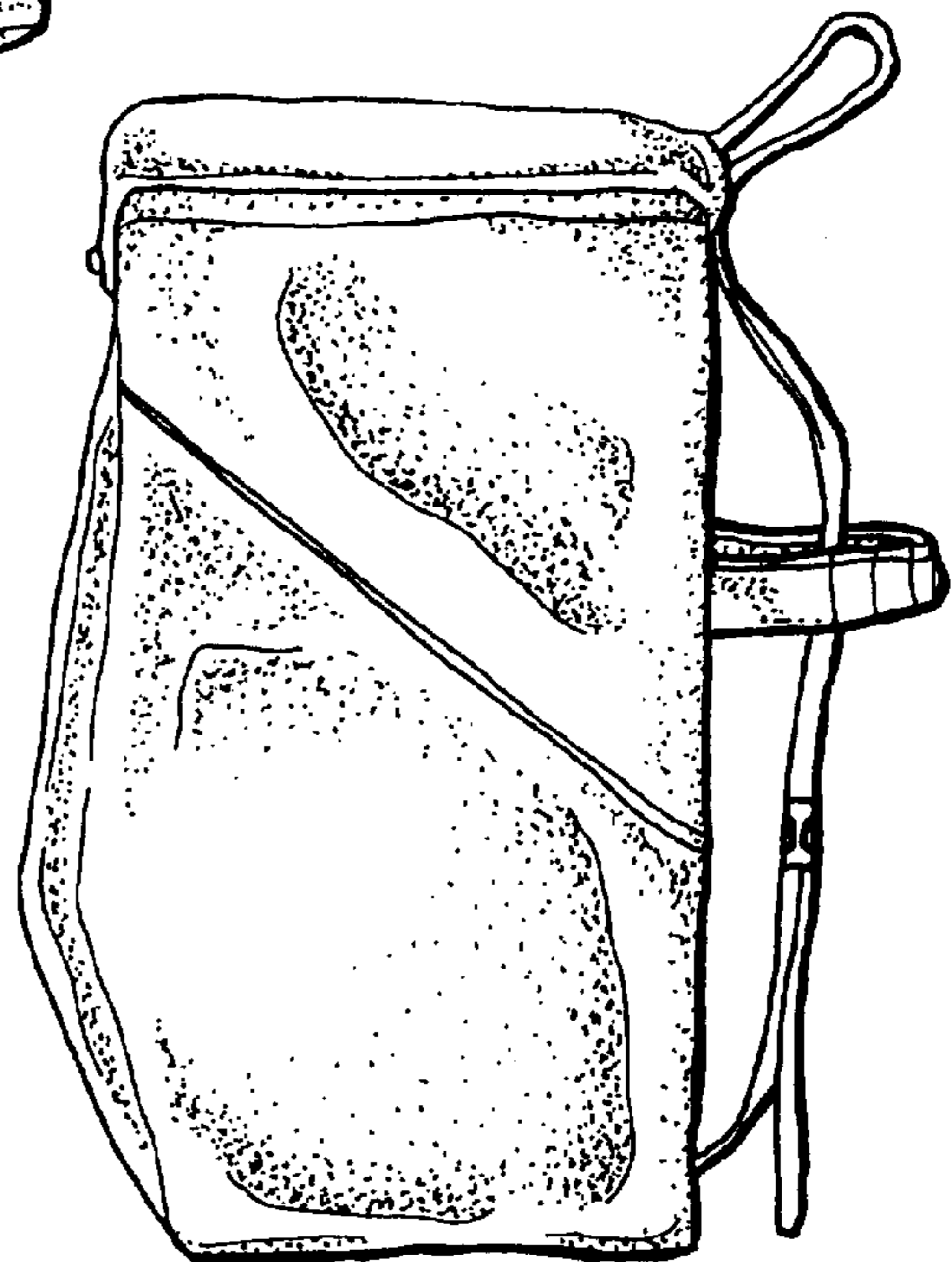


Fig-5

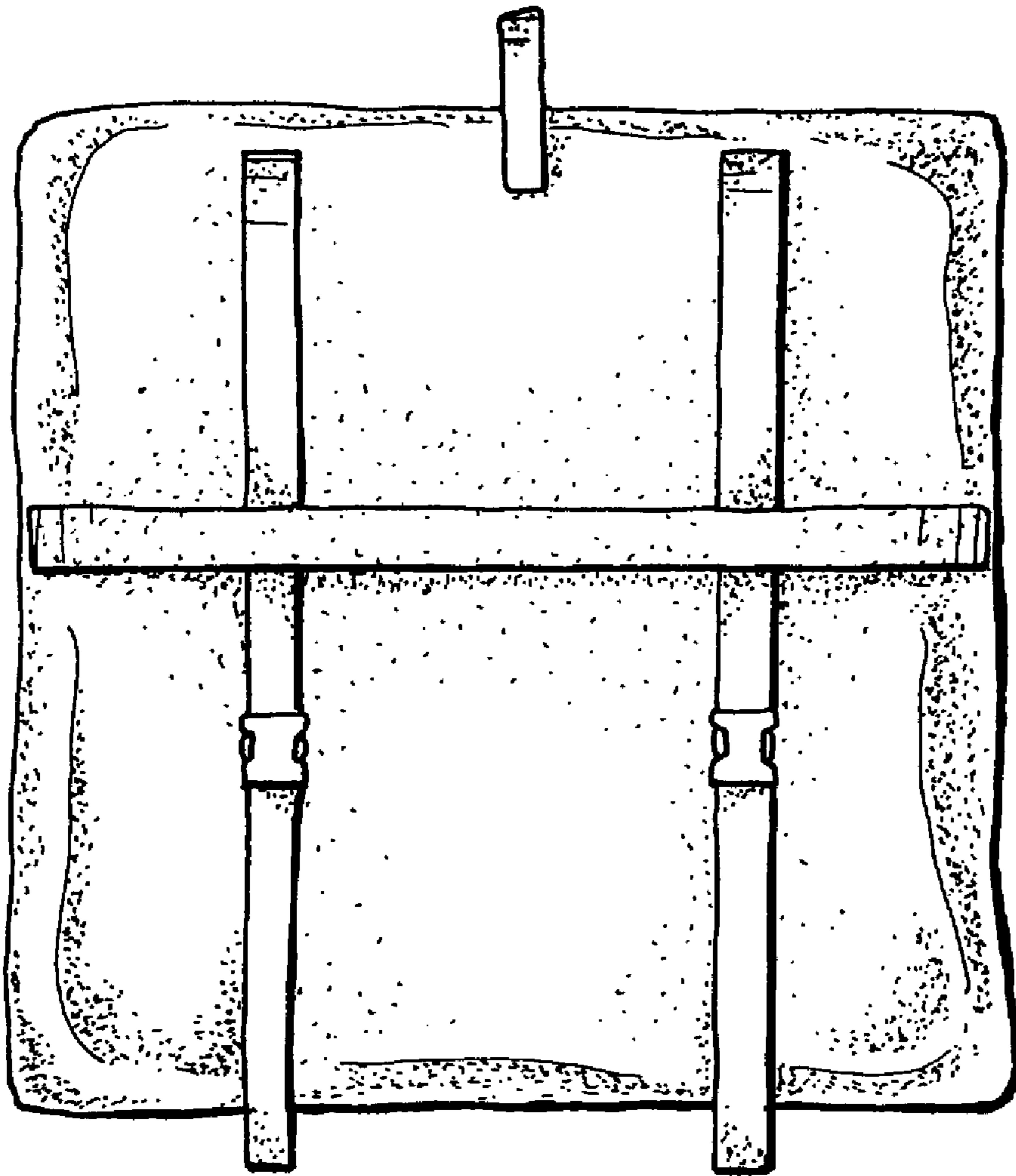


Fig-6