



US00D433987S

**United States Patent** [19]  
**Couzyn et al.**

[11] **Patent Number: Des. 433,987**  
[45] **Date of Patent: \*\* \*Nov. 21, 2000**

[54] **FRONT FACE OF A WHEEL**

[75] Inventors: **Nolan Couzyn**, Strathavon; **Ian Gilley**,  
Constantia Kloof; **Hywel Glyn-Jones**,  
Sandown, all of South Africa

[73] Assignee: **Just Wheels & Tires**, Santa Ana, Calif.

[\*] Notice: This patent is subject to a terminal dis-  
claimer.

[\*\*] Term: **14 Years**

[21] Appl. No.: **29/106,976**

[22] Filed: **Jun. 28, 1999**

[51] **LOC (7) Cl.** ..... **12-16**

[52] **U.S. Cl.** ..... **D12/211**

[58] **Field of Search** ..... D12/204-213;  
301/64.1, 65, 37.1

[56] **References Cited**

**U.S. PATENT DOCUMENTS**

- D. 45,097 12/1913 Walther ..... D12/211
- D. 329,416 9/1992 Braungart et al. .... D12/209

- D. 337,563 7/1993 Boselli ..... D12/209
- D. 360,866 8/1995 Echazabal et al. .... D12/209
- D. 388,045 12/1997 Sakagami et al. .... D12/209
- D. 388,046 12/1997 Roesianto ..... D12/209
- D. 391,216 2/1998 Bollmann et al. .... D12/209
- D. 392,930 3/1998 Embrador ..... D12/209
- D. 408,346 4/1999 Goplen ..... D12/211
- D. 412,149 7/1999 Corioni ..... D12/211

*Primary Examiner*—Stacia Cadmus  
*Attorney, Agent, or Firm*—Liniak, Berenato, Longacre &  
White

[57] **CLAIM**

The ornamental design for a front face of a wheel, as shown  
and described.

**DESCRIPTION**

FIG. 1 is a front view of a wheel showing our new design;  
and,

FIG. 2 is a top and left side perspective view of the wheel  
shown in FIG. 1.

The broken line showing of environment is for illustrative  
purposes only and forms no part of the claimed design.

**1 Claim, 2 Drawing Sheets**

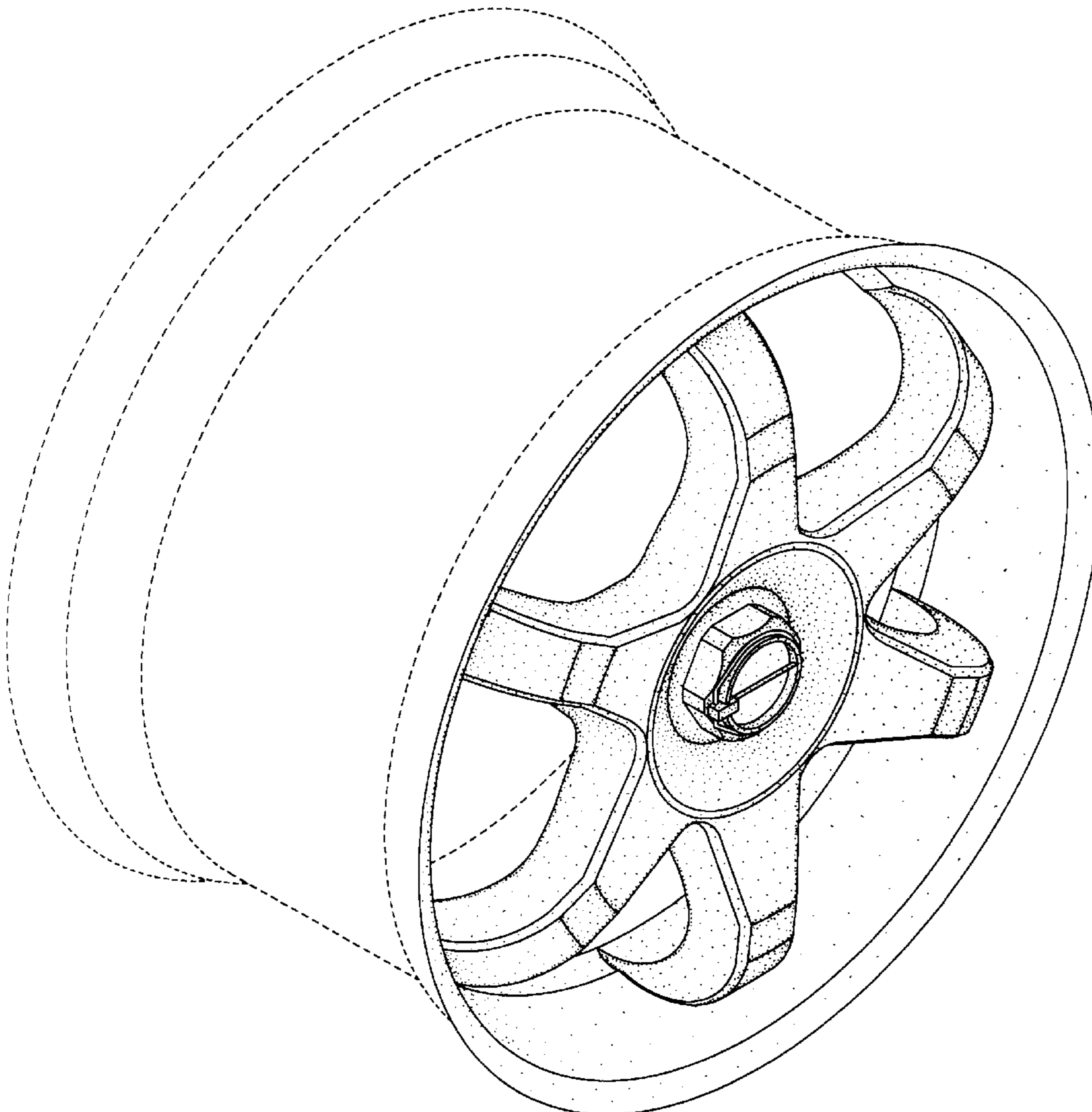


Fig. 1

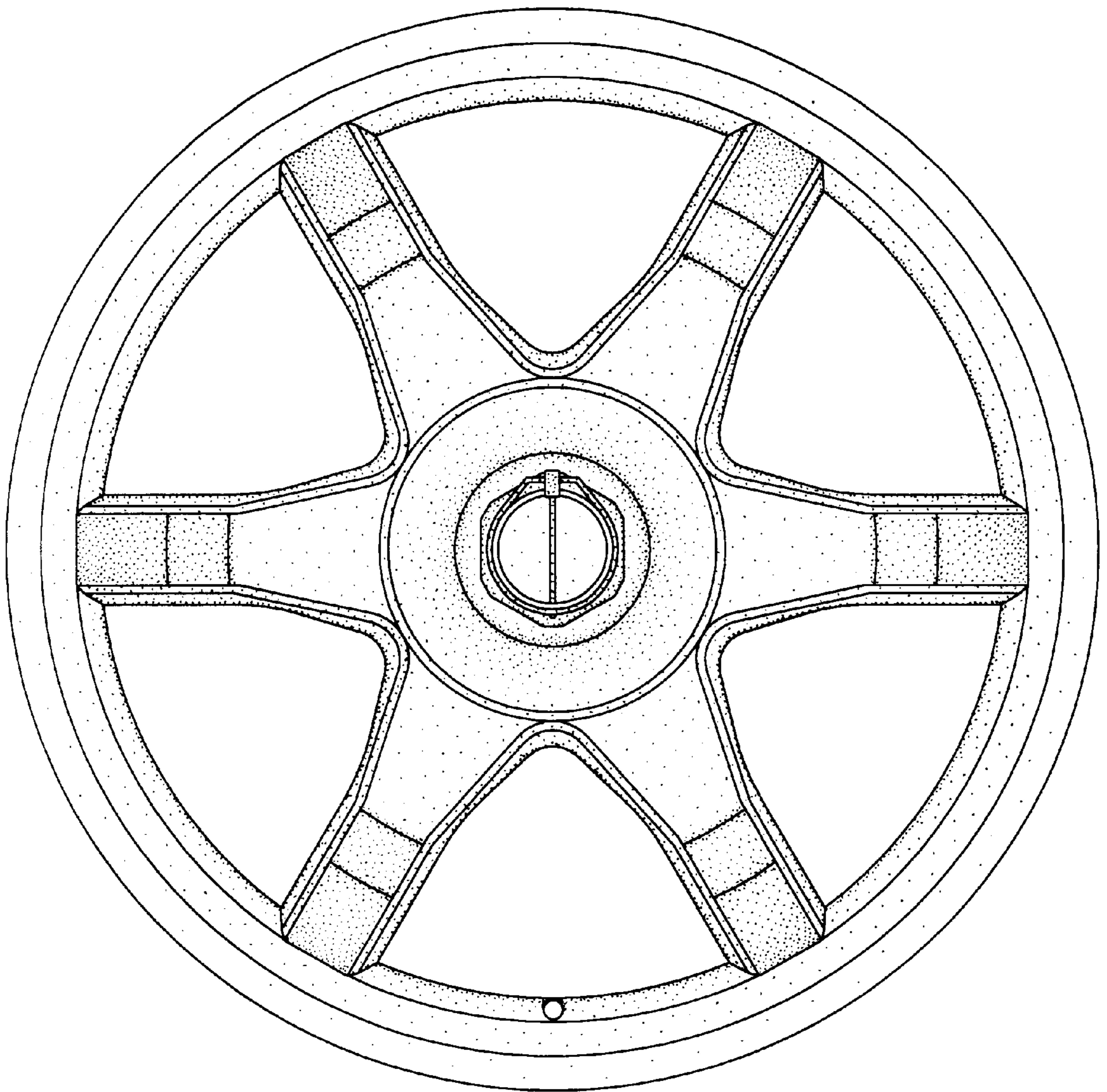


Fig. 2

