



US00D433986S

# United States Patent [19]

Wang

[11] Patent Number: Des. 433,986

[45] Date of Patent: \*\* Nov. 21, 2000

[54] DISK WHEEL COVER

[76] Inventor: **Chu-Li Wang**, No. 295, Lane 168, Sec. 1, Chang Hsi Road, Tainan, Taiwan

[\*\*] Term: 14 Years

[21] Appl. No.: 29/122,816

[22] Filed: May 4, 2000

[51] LOC (7) Cl. .... 12-16

[52] U.S. Cl. .... D12/209

[58] Field of Search ..... D12/204-211;  
301/37.1, 64.1, 65

D. 418,473	1/2000	Chung	.....	D12/211
D. 420,967	2/2000	Sacco et al.	.....	D12/209
D. 425,006	5/2000	Harlessem	.....	D12/209
D. 427,131	7/2000	Wang	.....	D12/211
D. 428,844	8/2000	Wang	.....	D12/209

Primary Examiner—Stacia Cadmus  
Attorney, Agent, or Firm—Bacon & Thomas, PLLC

### [57] CLAIM

The ornamental design for a disk wheel cover, as shown and described.

### DESCRIPTION

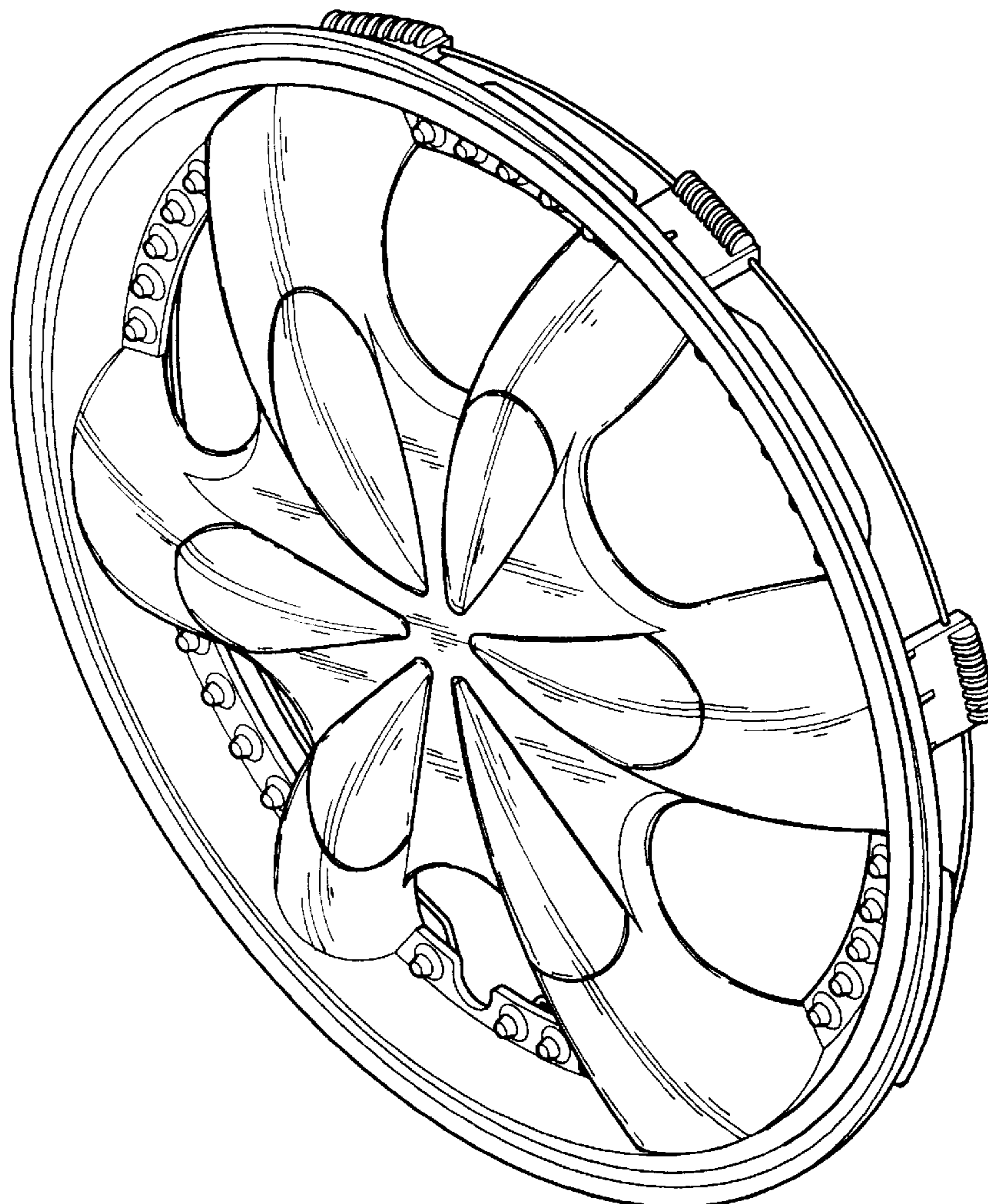
FIG. 1 is a perspective view of a disk wheel cover showing my new design;  
FIG. 2 is a reduced right side elevational view thereof;  
FIG. 3 is a reduced top plan view thereof;  
FIG. 4 is a reduced front elevational view thereof;  
FIG. 5 is a reduced bottom plan view thereof;  
FIG. 6 is a reduced left side elevational view thereof; and,  
FIG. 7 is a reduced rear elevational view.

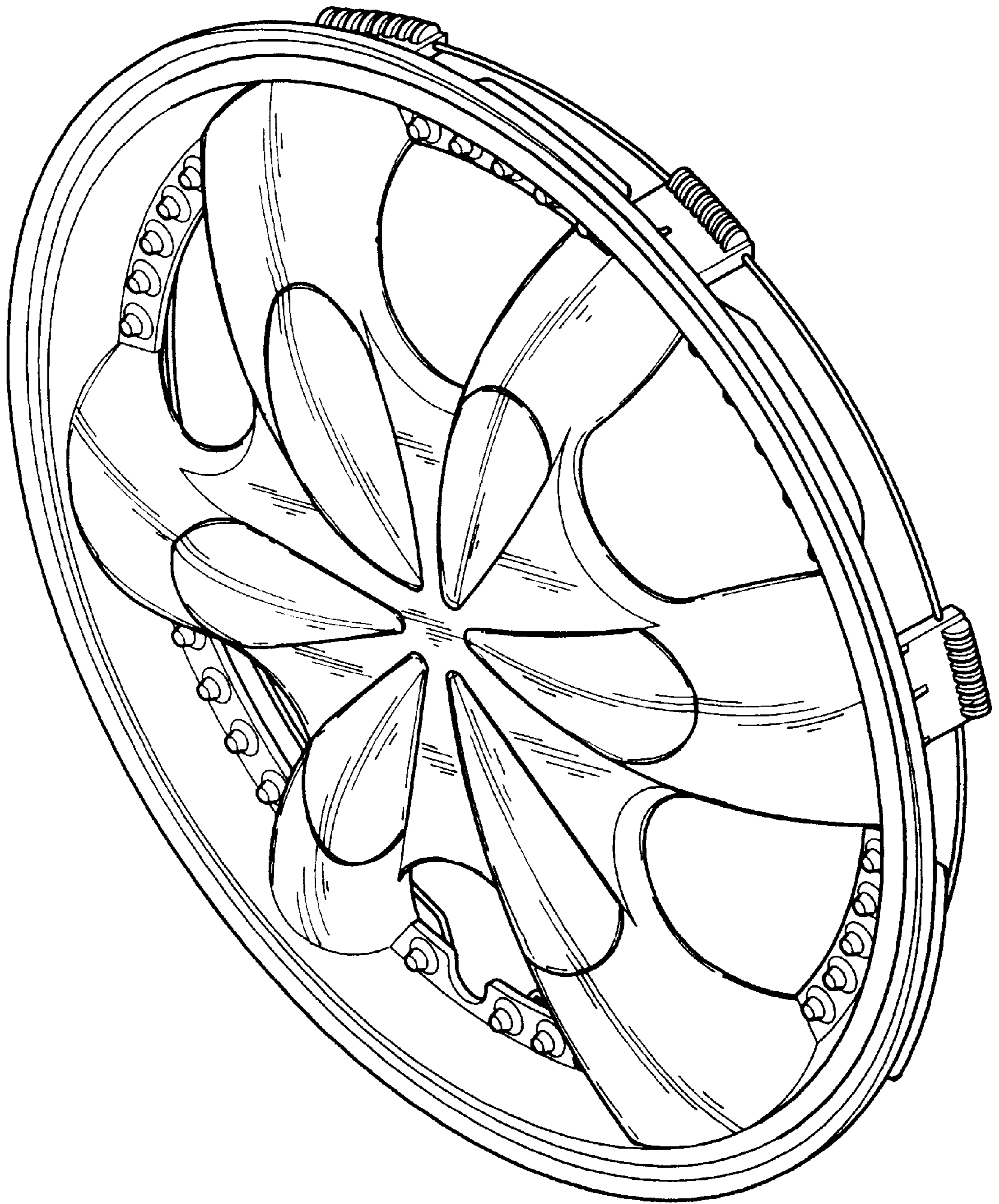
1 Claim, 4 Drawing Sheets

### [56] References Cited

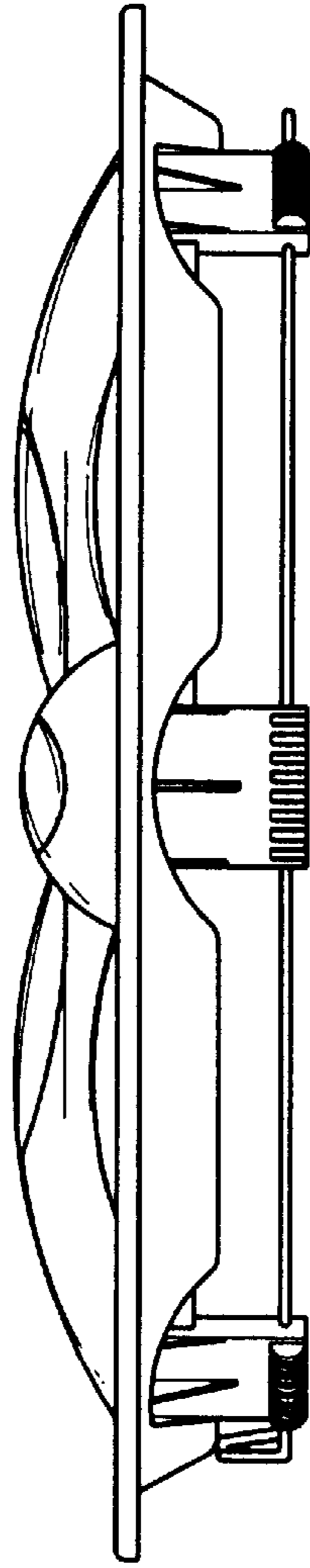
#### U.S. PATENT DOCUMENTS

D. 360,866	8/1995	Echazabl et al.	.....	D12/209
D. 367,030	2/1996	Bouldoukian	.....	D12/209
D. 391,216	2/1998	Bollmann et al.	.....	D12/209
D. 392,930	3/1998	Embrador	.....	D12/209
D. 403,649	1/1999	Moreno	.....	D12/211
D. 416,846	11/1999	Melegari et al.	.....	D12/209
D. 416,848	11/1999	Bernoni	.....	D12/209

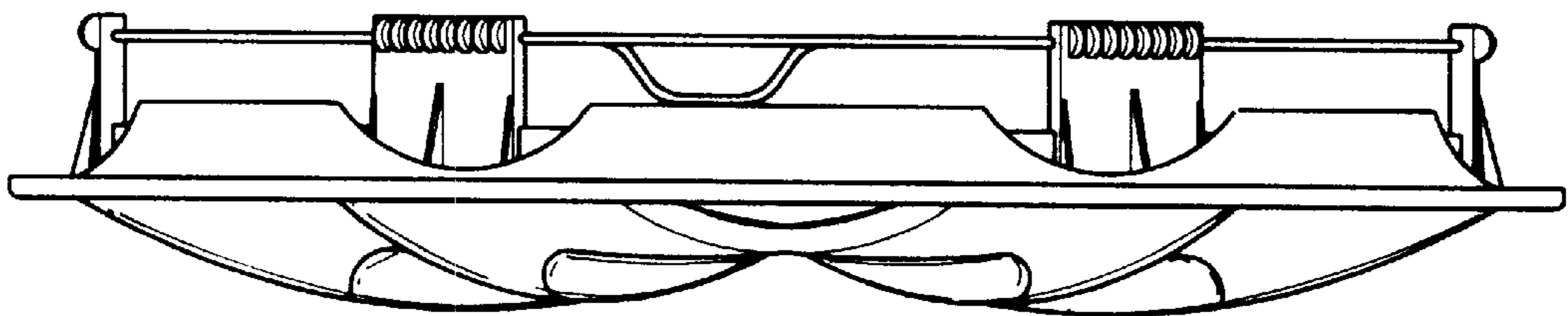




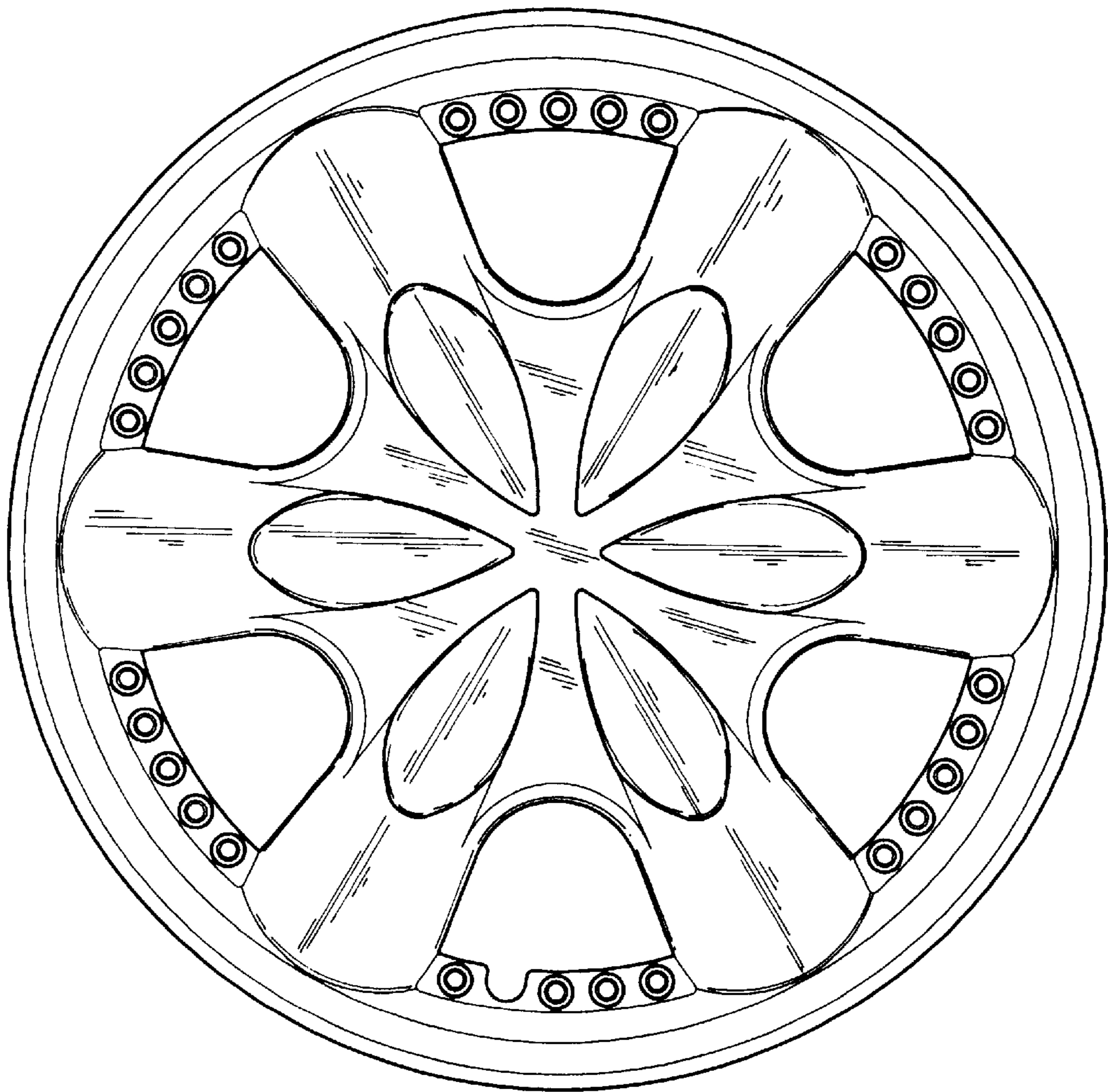
*FIG. 1*



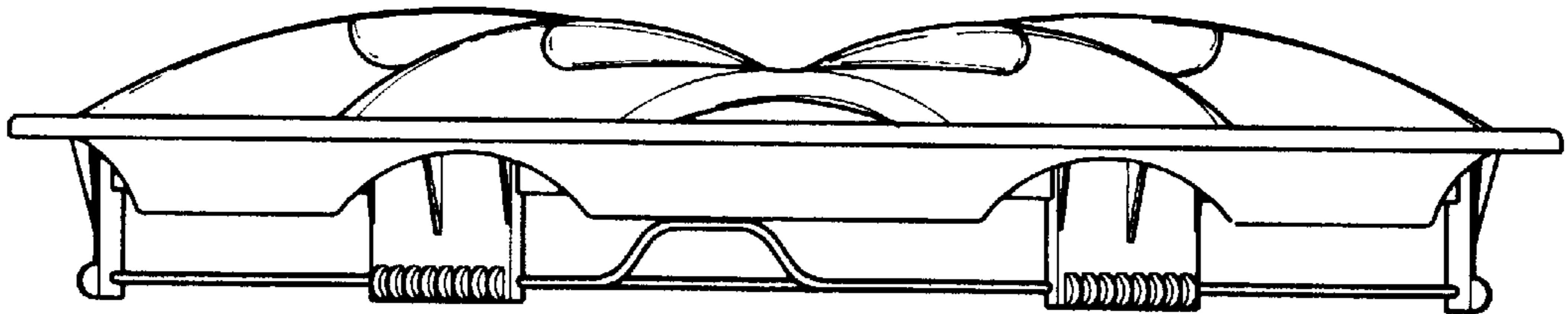
*FIG. 2*



*FIG. 3*



*FIG. 4*



*FIG. 5*

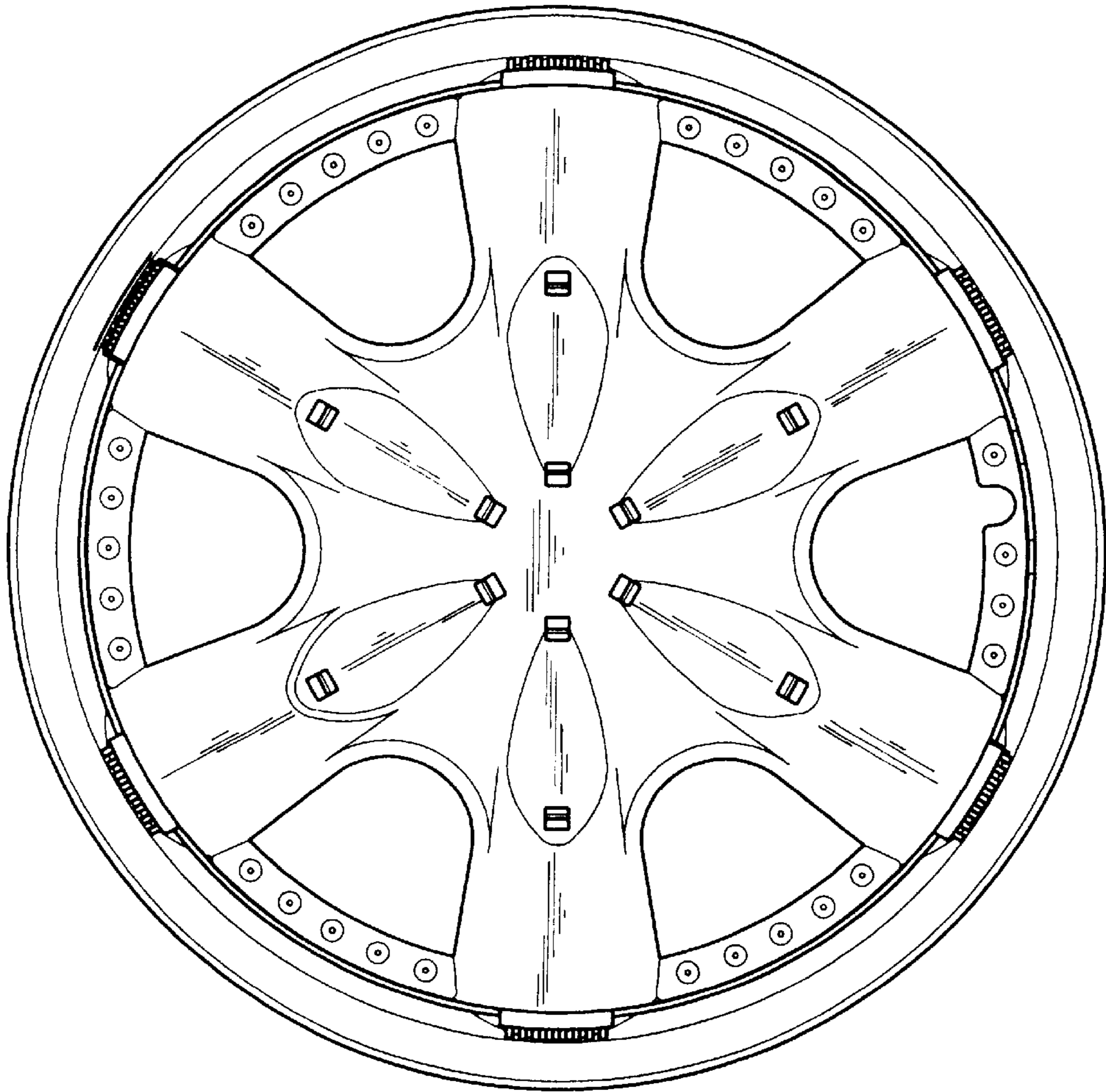


FIG. 6

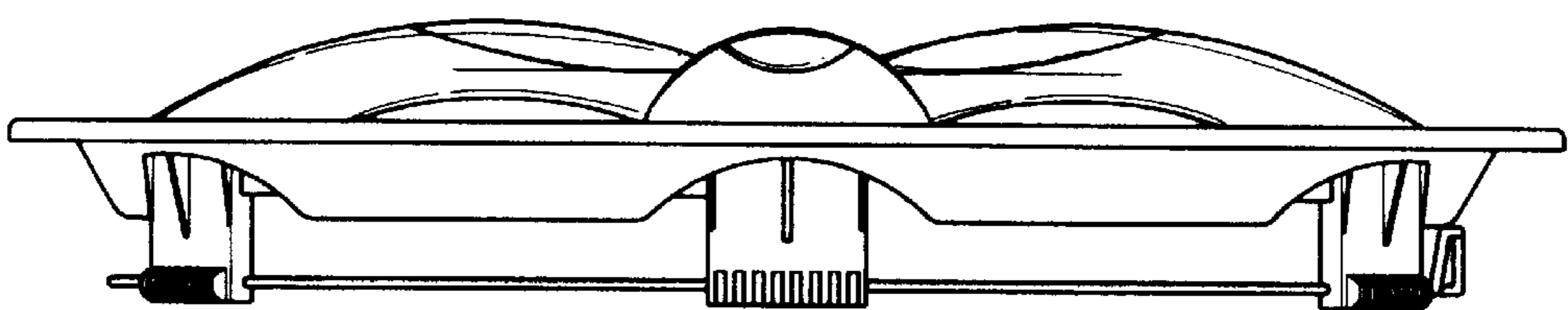


FIG. 7