



US00D433985S

United States Patent [19]
Pfeiffer

[11] **Patent Number: Des. 433,985**

[45] **Date of Patent: ** Nov. 21, 2000**

[54] **FRONT FACE OF A VEHICLE WHEEL**

[75] **Inventor: Peter Pfeiffer**, Boeblingen, Germany

[73] **Assignee: DaimlerChrysler AG**, Stuttgart, Germany

[**] **Term: 14 Years**

[21] **Appl. No.: 29/119,296**

[22] **Filed: Feb. 29, 2000**

[30] **Foreign Application Priority Data**

Aug. 31, 1999 [DE] Germany 4 99 08 017

[51] **LOC (7) Cl. 12-16**

[52] **U.S. Cl. D12/209**

[58] **Field of Search D12/204-211;**
301/37.1, 64.1, 65

[56] **References Cited**

U.S. PATENT DOCUMENTS

- D. 374,420 10/1996 Neeper D12/209
- D. 398,277 9/1998 Neeper D12/209
- D. 400,154 10/1998 Noriega D12/209

- D. 402,613 12/1998 Neeper D12/209
- D. 404,700 1/1999 Celeste D12/209
- D. 407,054 3/1999 Kelley D12/209
- D. 409,550 5/1999 Chung D12/209
- D. 412,308 7/1999 Hussaini et al. D12/209
- D. 414,155 9/1999 Doyle D12/211
- D. 419,944 2/2000 Chen D12/209
- D. 425,470 5/2000 Pfeiffer et al. D12/209

Primary Examiner—Stacia Cadmus
Attorney, Agent, or Firm—Evenson, McKeown, Edwards & Lenahan, P.L.L.C.

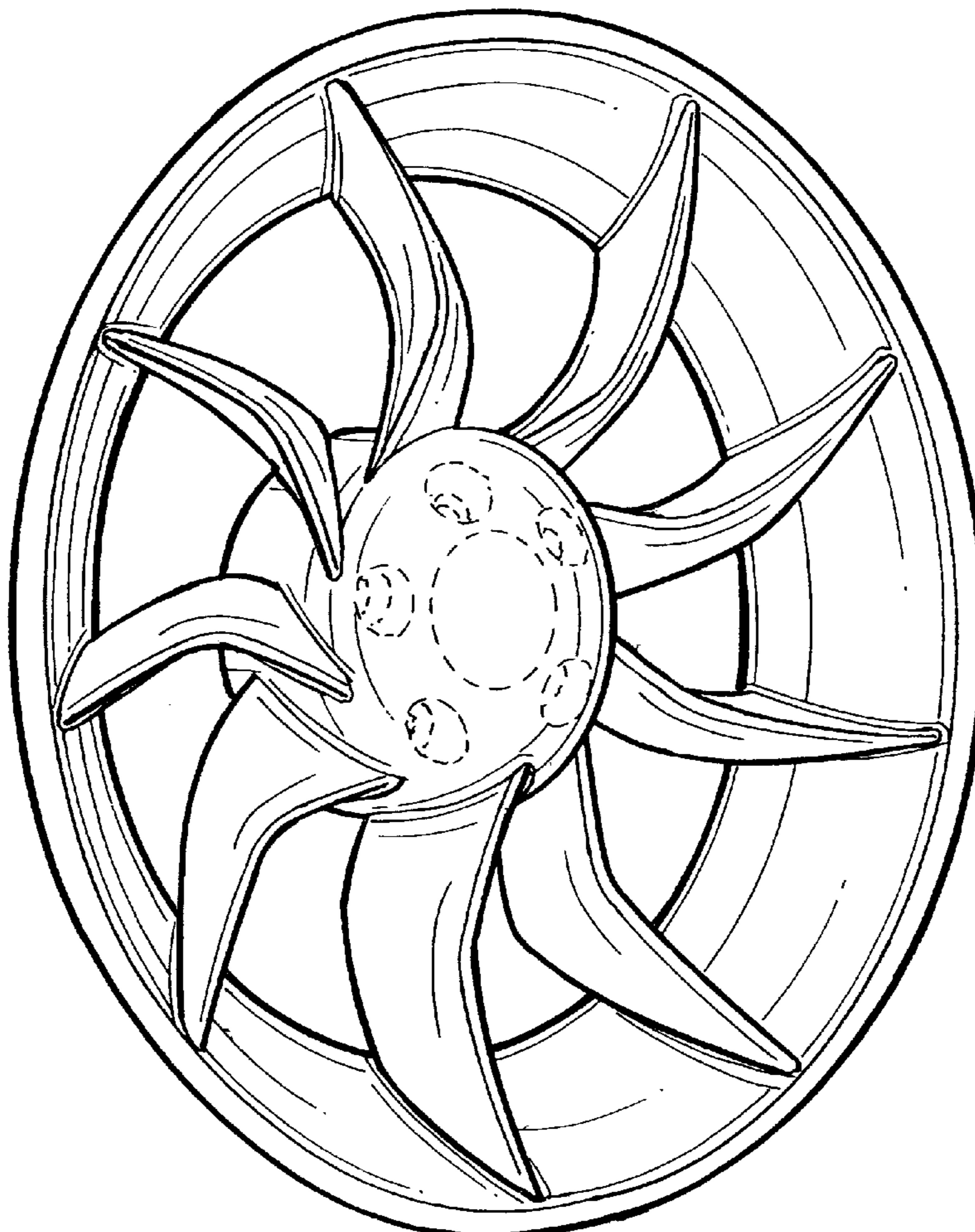
[57] **CLAIM**

The ornamental design for a front face of a vehicle wheel, as shown and described.

DESCRIPTION

FIG. 1 is a perspective view of a front face of a vehicle wheel according to my novel design; and, FIG. 2 is a front view of the front face of a vehicle wheel according to our novel design. The dash lines included depict environment and are not part of the claimed design.

1 Claim, 1 Drawing Sheet



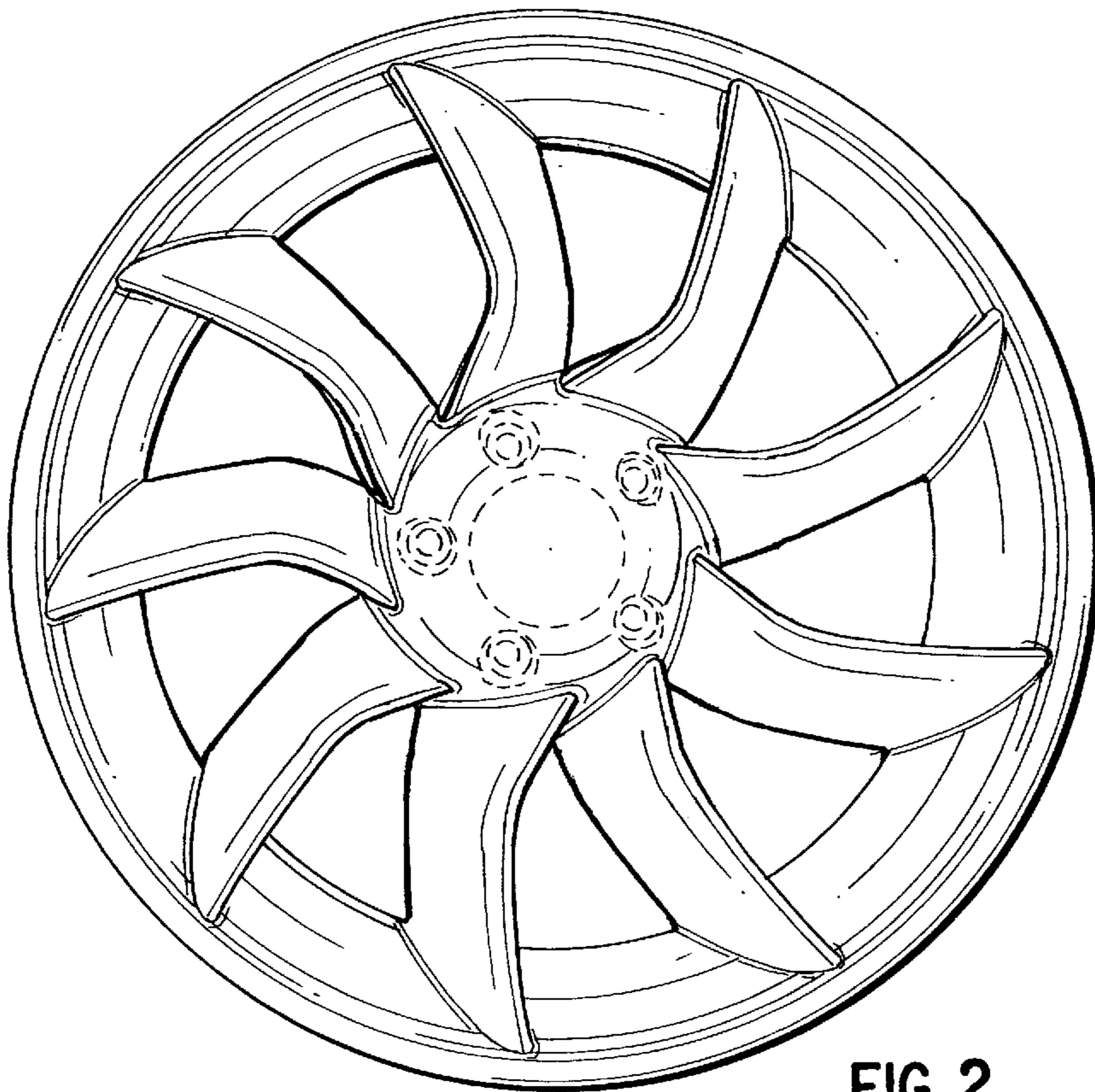


FIG. 2

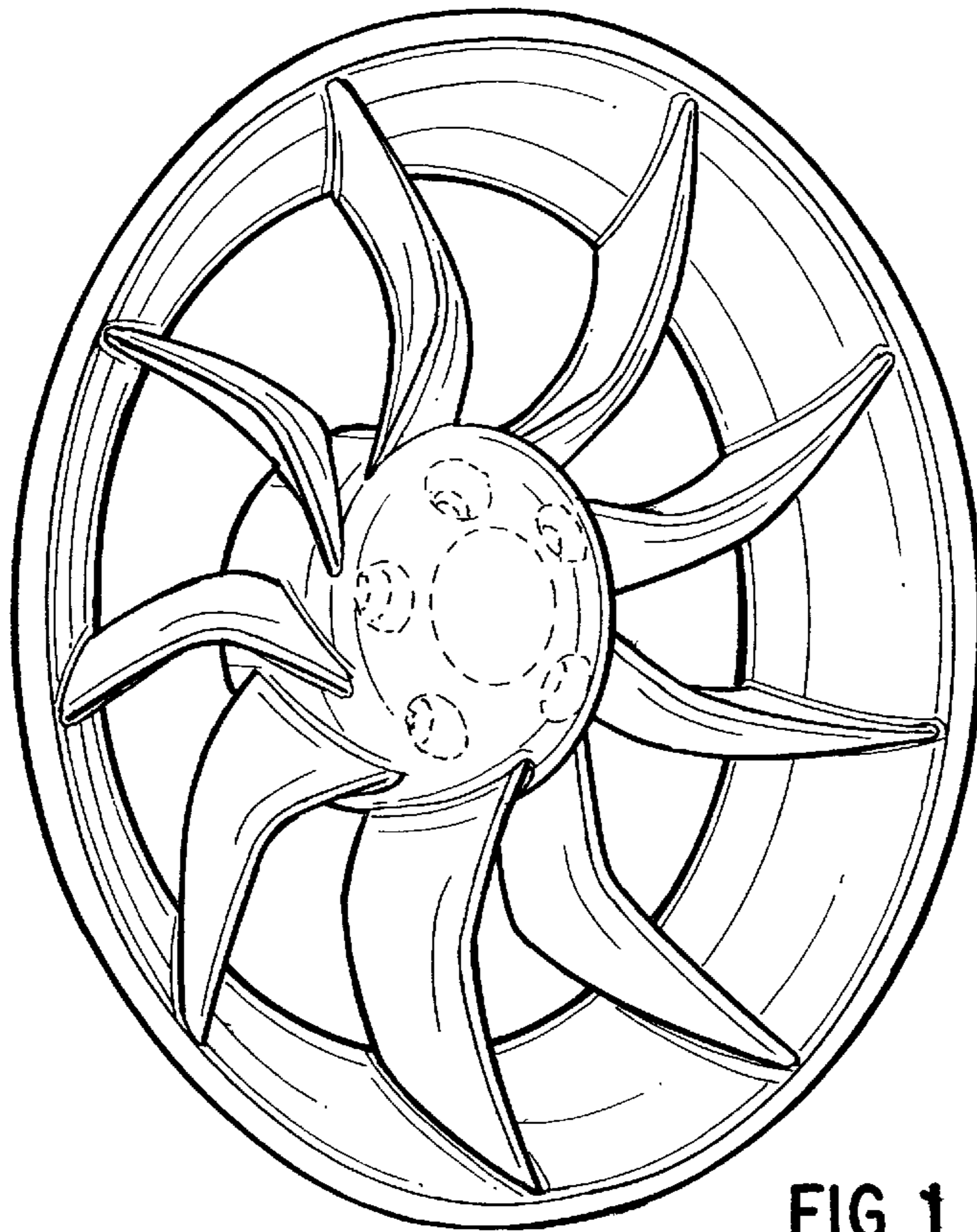


FIG. 1